



The Life of the Kitchen.®

PARTS CATALOG

SGM466 Cooktop

Page #	Description
2-3	Top Assembly, Before Rev F
4-5	Lower Assembly, Before Rev F
6-7	Top Assembly, Rev F to Rev. N
8-9	Lower Assembly, Rev F to Rev. N
10-11	Top Assembly, Rev P and Later
12-13	Lower Assembly, Rev P and Later

IMPORTANT: Revision F and later SGM466 units are equipped with two 14,000 BTU (D size) burners and other minor changes. Please take care when ordering parts and check the serial number so that you do not order incorrect parts or confuse newer units with older cooktops that do not have the 14,000 BTU burners.

Revised 06-04-2015

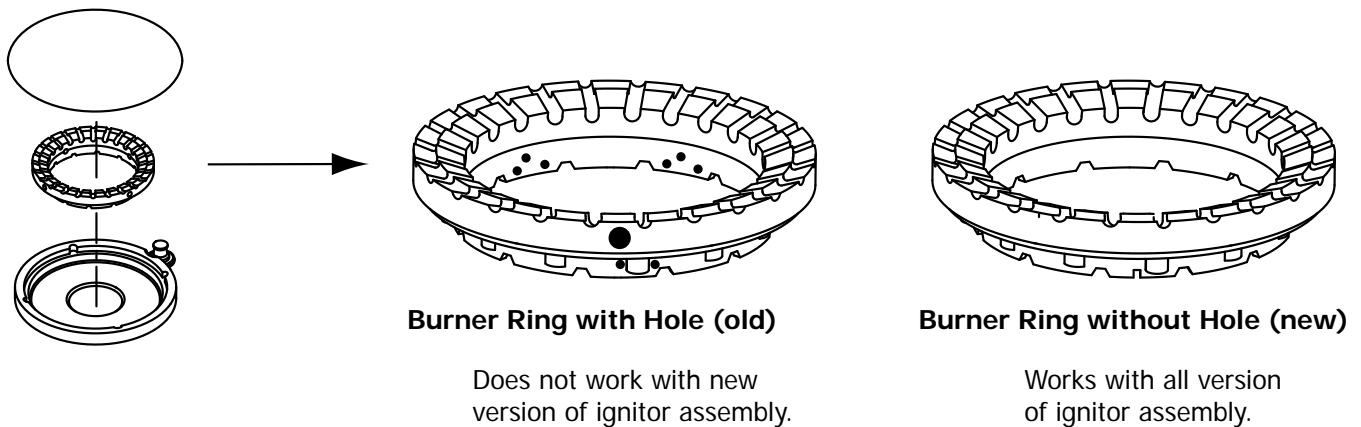
SGM466 Top Assembly Parts, Before Rev. F

ITEM	PART#	Description
3	62952	Burner Base (C)
4	62951	Burner Base (B)
8	86523BM	Burner Cap (C)
9	86524BM	Burner Cap (B)
13	82973	Gasket, Spill Protector
14	72467SB ¹	Grate ¹
15	66916	Grate, Support Pad (set of 4)
17	76482-001 ²	Ignitor Assy. ²
20	82977	Knob with Logo
22	82974	Knob w/o Logo

ITEM	PART#	Description
26	86397	O-Ring (C)
27	86937	O-Ring (B)
29	86405	Ring, Nut
30	86407	Ring, Burner (C)
31	86408	Ring, Burner (B)
35	62287SSC	Spill Protector, Center
37	62287SSL	Spill Protector, Left
38	62287SSR	Spill Protector, Right
41	26048	Top Frame, Black
	36175S	Top Frame, Stainless

¹The grates have been redesigned. You may need to replace all three grates to make sure that they match.

²**IMPORTANT:** The ignitor assembly and burner rings were redesigned on later versions of the cooktop. The older designs are no longer available. The new ignitor design only works with the newer burner ring design, while the new burner ring design is compatible with all versions of the ignitor assembly. When replacing the ignitor assembly check to make sure the latest version of the burner ring is installed. If the burner ring has a hole on its side (see diagrams below), it must be replaced with correct size (B or C) of the newer version. Items 30 and 31 above list the part number for the newer versions of the burner ring.

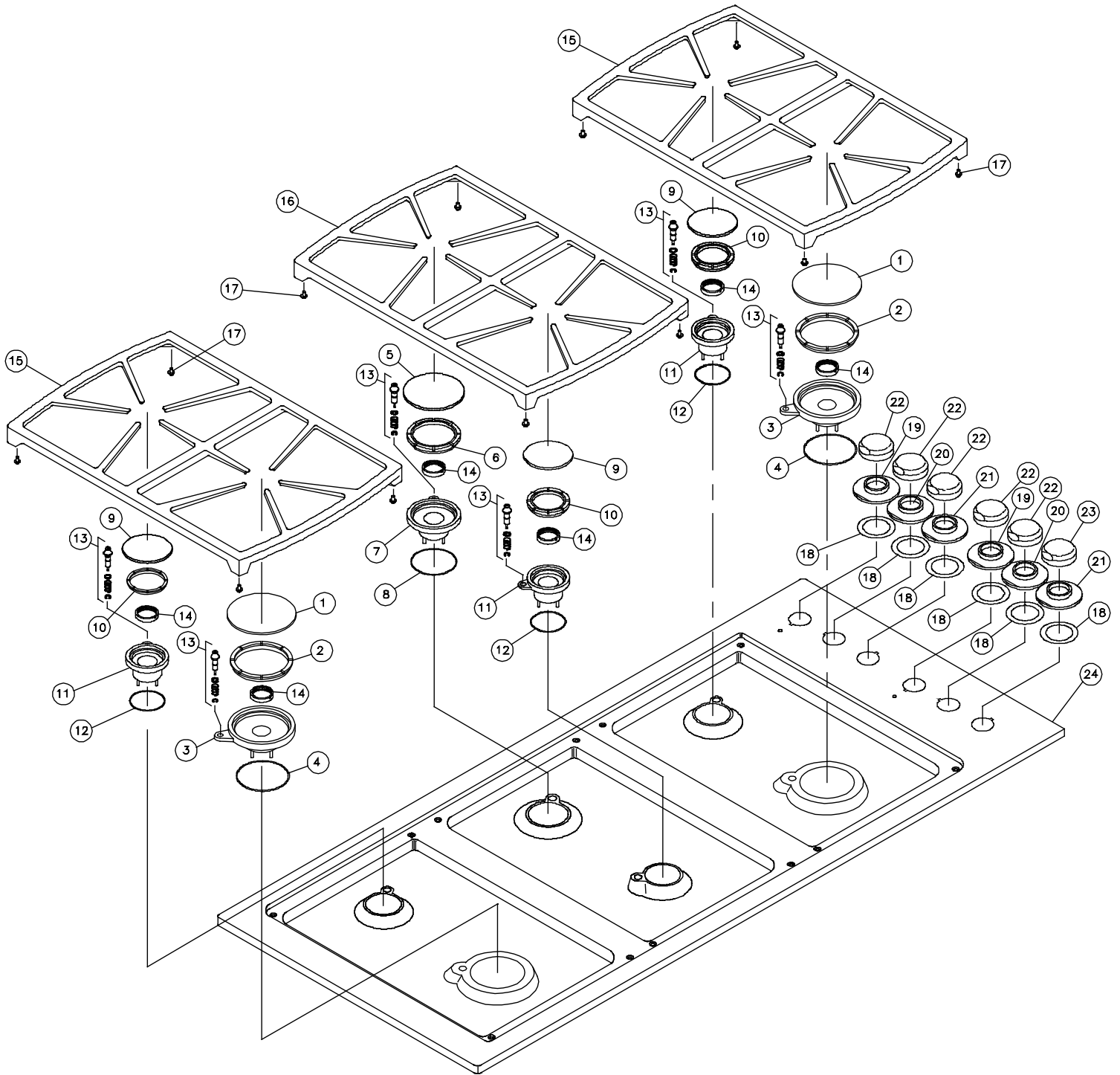


SGM466 Lower Assembly Parts, Before Rev. F

ITEM	PART#	Description
1	12277	Bracket, Hold Down (set of 2)
2	83578	Bumper, Rubber (Chassis)
6	82678	Burner Tube (Long)
7	82677	Burner Tube (Short)
10	26209	Channel Support
11	27434	Chassis Box
12	82562	Cord Assy.
16	26013	Heat Shield
18	26056	Insulation Heat Shield (2 Pcs.)
19	82105	Insulation, Module
23	86471	Manifold w/o Valves
24	26015	Manifold Bracket
25	86528	Spark Module Assy.
28	82540	Regulator
32	83306	Screw

ITEM	PART#	Description
33	86373	Air Shutter (Large)
34	86372	Air Shutter (Medium)
40	103789	Switch, Micro (Ignition)
42	86490	Valve (Large LP)
43	86500	Valve (Large LP, Remote)
44	86488	Valve (Large Nat)
45	86498	Valve (Large Nat, Remote)
46	86489	Valve (Medium LP)
47	86499	Valve (Medium LP, Remote)
48	86487	Valve (Medium Nat)
49	86497	Valve (Medium Nat, Remote)
50	86532	Wire Harness, Ignitors
51	-	Gas Tube
52	-	Shutter

SGM466 Top Assembly, Rev. F to Rev. N



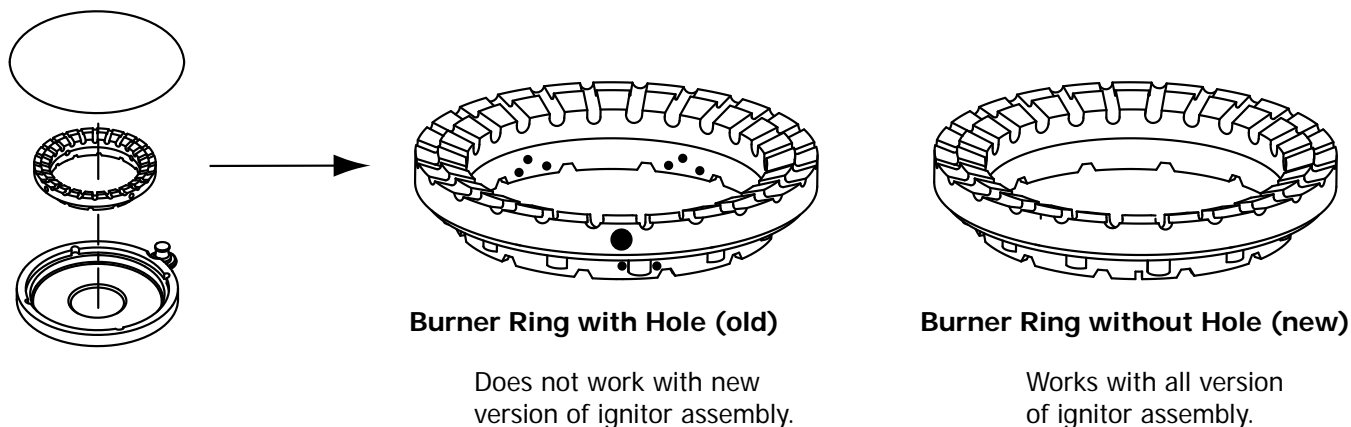
SGM466 Top Assembly Parts, Rev. F to Rev. N

Item	Part #	Description
1	72435SB	Burner Cap (D)
2	86918	Burner Ring (D)
3	62953	Assy, Burner Head (D)
4	86395	O-Ring, Head (D)
5	86523SB	Burner Cap (C)
6	86407	Burner Ring (C)
7	62952	Assy, Burner Head (C)
8	86397	O-Ring, Head (C)
9	86524SB	Burner Cap (B)
10	86408	Burner Ring (B)
11	62951	Assy, Burner Head (B)
12	86937	O-Ring, Head (B)
13	76482-001 ¹	Assy, Ignitor Kit ¹

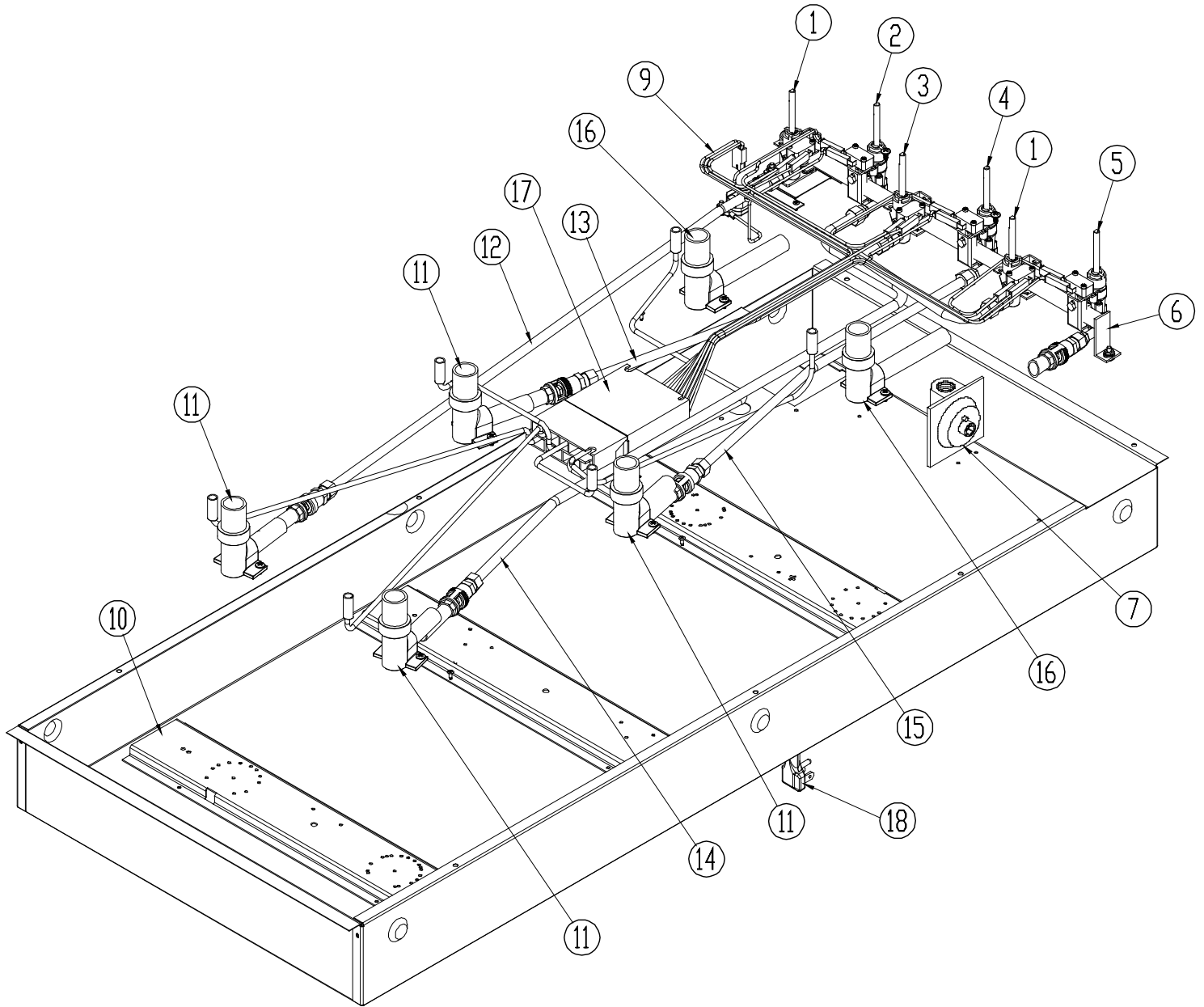
Item	Part #	Description
14	86405	Ring Nut
15	72470SB ²	Grate Pack, Side with Caps and Pads ²
16	72467SB ²	Grate Pack, Center with Caps and Pads ²
17	66916	Grate Support Pad (set of 4)
18	82973	Gasket, Spill Protector
19	62287SSL	Spill Protector, Left
20	62287SSC	Spill Protector, Center
21	62287SSR	Spill Protector, Right
22	82974	Knob
23	82977	Knob with Logo
24	36423S	Top Frame, Stainless
	36420BP	Top Frame, Black
	36420RP	Top Frame, Arctic

¹**IMPORTANT:** The ignitor assembly and burner rings were redesigned on later versions of the cooktop. The older designs are no longer available. The new ignitor design only works with the newer burner ring design, while the new burner ring design is compatible with all versions of the ignitor assembly. When replacing the ignitor assembly check to make sure the latest version of the burner ring is installed. If the burner ring has a hole on its side (see diagrams below), it must be replaced with correct size (B, C or D) of the newer version. Items 2, 6 and 10 above list the part number for the newer versions of the burner ring.

²Effective with revision G of the cooktop, the grates were redesigned. On cooktops manufactured before revision G, all three grates may need to be replaced to make sure they match.



SGM466 Lower Assembly, Rev. F to Rev. N

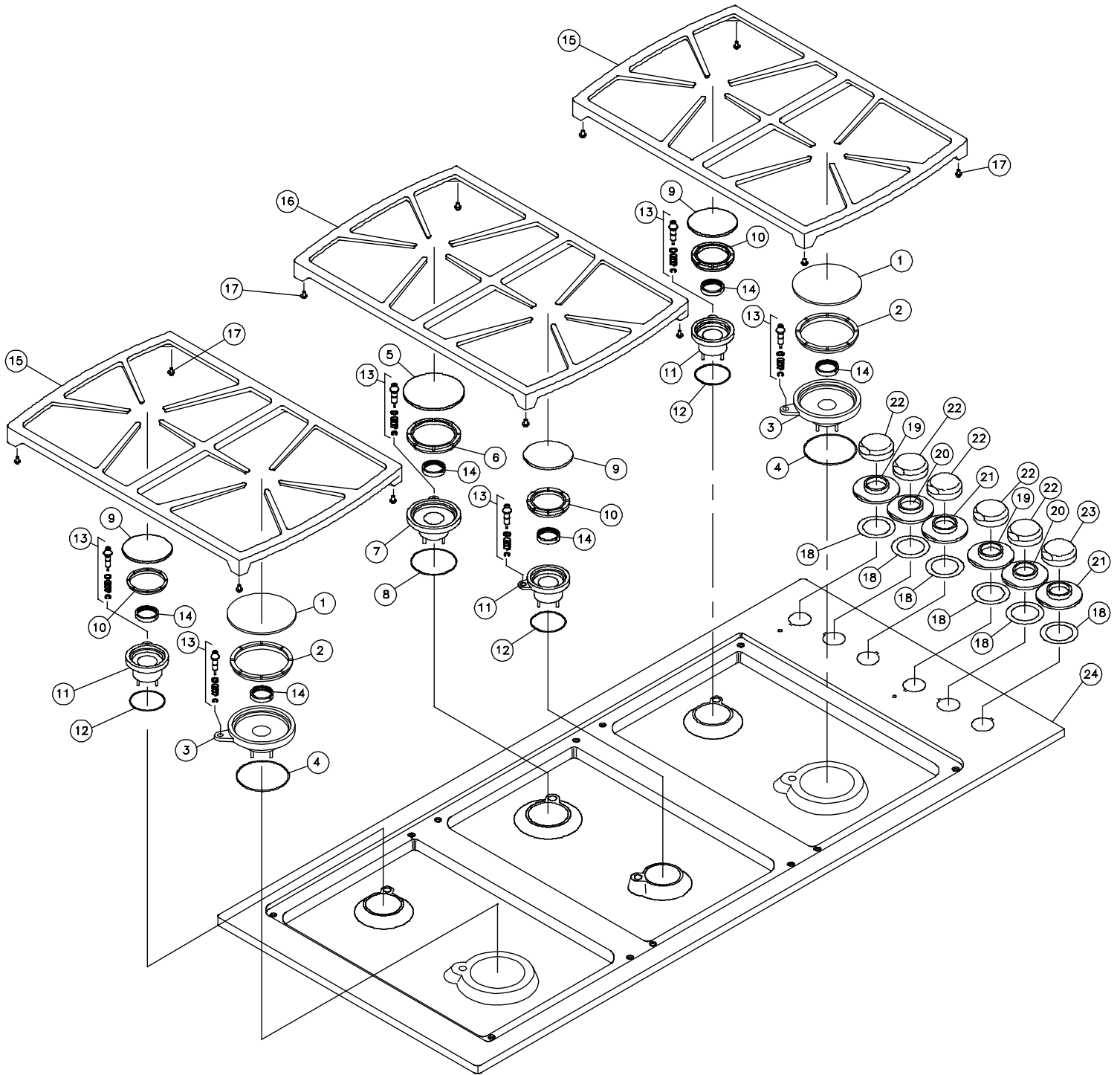


SGM466 Lower Assembly Parts, Rev. F to Rev. N

Item	NG Part #	NGH Part#	LP Part #	LPH Part#	Description
1	66592	-	66599	-	Valve, Remote Orifice (B), Rev N and earlier units
2	66591	-	66598	-	Valve, Remote Orifice (C), Rev N and earlier units
3	86487	-	86489	-	Valve (B), Rev N and earlier units
4	66251	-	66253	-	Valve, Remote Orifice (D), Rev N and earlier units
5	66593	-	66600	-	Valve (D), Rev N and earlier units
6	86471	86471	86471	86471	Manifold w/o Valves
7	62320	62320	62434	62434	Regulator
9	72424	72424	72424	72424	Wire Harness
10	46238	46238	46238	46238	Burner Channel Support
11	62144	62144	62144	62144	Burner Tube, Base (LR, LF, CR, CF)
12	62877	62902	62903	62904	Burner Tube, w/ Shutter (LR)
13	62920	62921	62922	62923	Burner Tube, w/ Shutter (CR)
14	62912	62913	62914	62915	Burner Tube, w/ Shutter (LF)
15	62916	62917	62918	62919	Burner Tube, w/ Shutter (CF)
16	82677	82677	82677	82677	Burner Tube (RR, RF)
17	86528	86528	86528	86528	Spark Module
18	72765	72765	72765	72765	Power Supply Cord
-	86373	86373	86373	86373	Air Shutter, "C" and "D" (not shown)
-	86372	86372	86372	86372	Air Shutter, "B" (not shown)
-	103789	103789	103789	103789	Switch, Ignition (not shown)

NG Part #	NGH Part#	LP Part #	LPH Part#	Description
62879	62909	62910	62911	Manifold, Complete, Rev N and earlier units (not shown)

SGM466 Top Assembly, Rev. P and Later

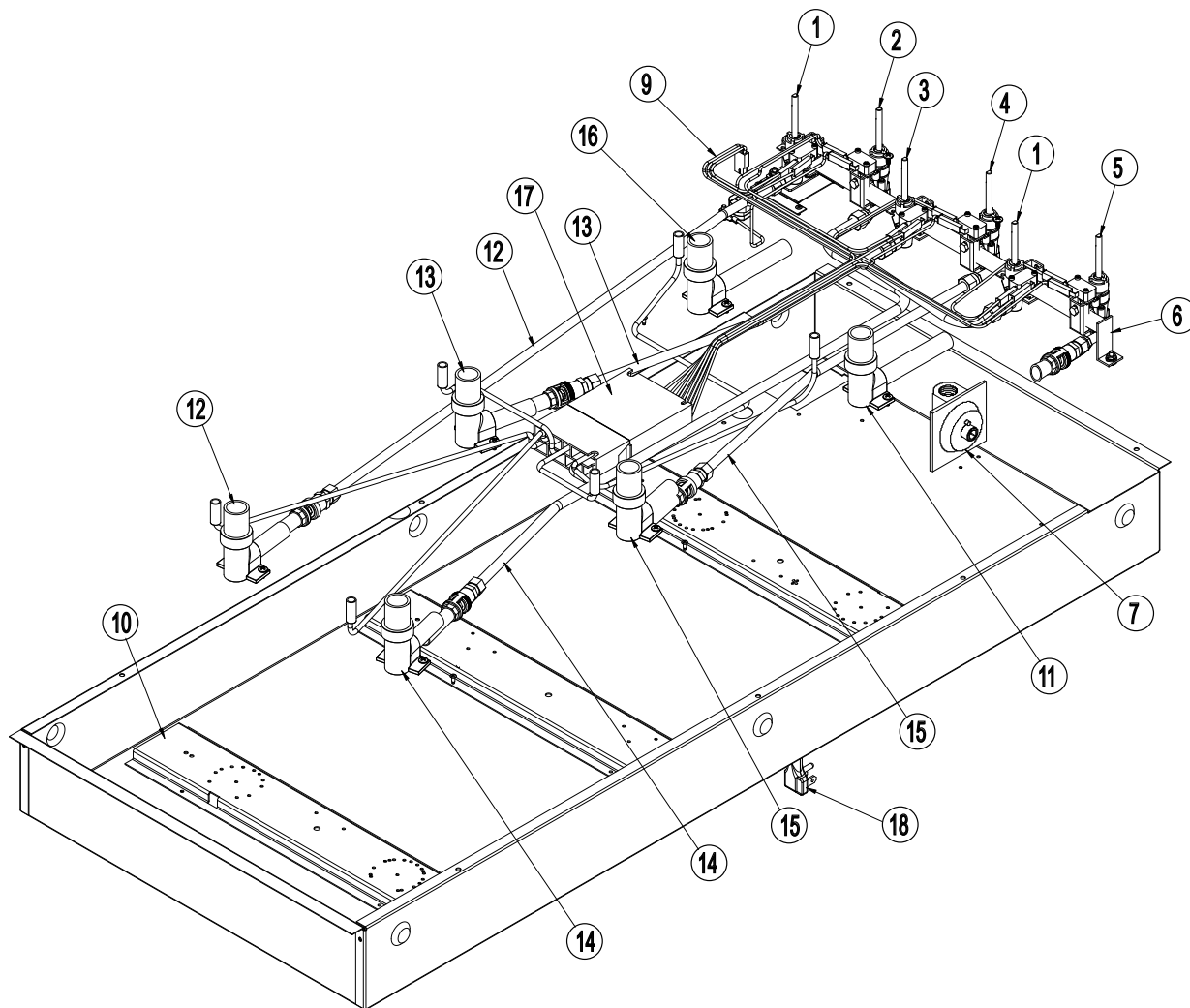


SGM466 Top Assembly Parts, Rev. P and Later

Item	Part #	Description
1	72435SB	Burner Cap (D)
2	86918	Burner Ring (D)
3	62953	Assy, Burner Head (D)
4	86395	O-Ring, Head (D)
5	86523SB	Burner Cap (C)
6	86407	Burner Ring (C)
7	62952	Assy, Burner Head (C)
8	86397	O-Ring, Head (C)
9	86524SB	Burner Cap (B)
10	86408	Burner Ring (B)
11	62951	Assy, Burner Head (B)
12	86937	O-Ring, Head (B)
13	76482-001	Assy, Ignitor Kit

Item	Part #	Description
14	86405	Ring Nut
15	72470SB	Grate Pack, Side with Caps and Pads
16	72467SB	Grate Pack, Center with Caps and Pads
17	66916	Grate Support Pad (set of 4)
18	82973	Gasket, Spill Protector
19	62287SSL	Spill Protector, Left
20	62287SSC	Spill Protector, Center
21	62287SSR	Spill Protector, Right
22	82974	Knob
23	82977	Knob with Logo
24	36423S	Top Frame, Stainless
	36420BP	Top Frame, Black
	36420RP	Top Frame, Arctic

SGM466 Lower Assembly, Rev. P and Later



SGM466 Lower Assembly Parts, Rev. P and Later

Item	NG Part #	NGH Part#	LP Part #	LPH Part#	Description
1	107594-01	107594-02	107594-04	107594-05	Valve (B), Rev P and later units
2	107594-02	107594-03	107594-05	107594-06	Valve (C), Rev P and later units
3	107594-01	107594-02	107594-04	107594-05	Valve (B), Rev P and later units
4	107594-03	107594-07	107594-06	107594-08	Valve (D), Rev P and later units
5	107594-03	107594-07	107594-06	107594-08	Valve (D), Rev P and later units
6	701870-01	701870-03	701870-02	701870-04	Manifold with Valves
7	62320	62320	62434	62434	Regulator
9	72424	72424	72424	72424	Wire Harness
10	46238	46238	46238	46238	Burner Channel Support
11	701864-05	701864-07	701864-06	701864-08	Burner Tube, Assy (RF)
12	701862-01	701862-03	701862-02	701862-04	Burner Tube, Assy (LR)
13	701863-05	701863-07	701863-06	701863-08	Burner Tube, Assy (CR)
14	701862-05	701862-07	701862-06	701862-08	Burner Tube, Assy (LF)
15	701863-01	701863-03	701863-02	701863-04	Burner Tube, Assy (CF)
16	701864-01	701864-03	701864-02	701864-04	Burner Tube, Assy (RR)
17	86528	86528	86528	86528	Spark Module
18	72765	72765	72765	72765	Power Supply Cord
-	86373	86373	86373	86373	Air Shutter, "C" and "D" (not shown)
-	86372	86372	86372	86372	Air Shutter, "B" (not shown)
-	103789	103789	103789	103789	Switch, Ignition (not shown)