

# **dacor**®

The Life of the Kitchen.®

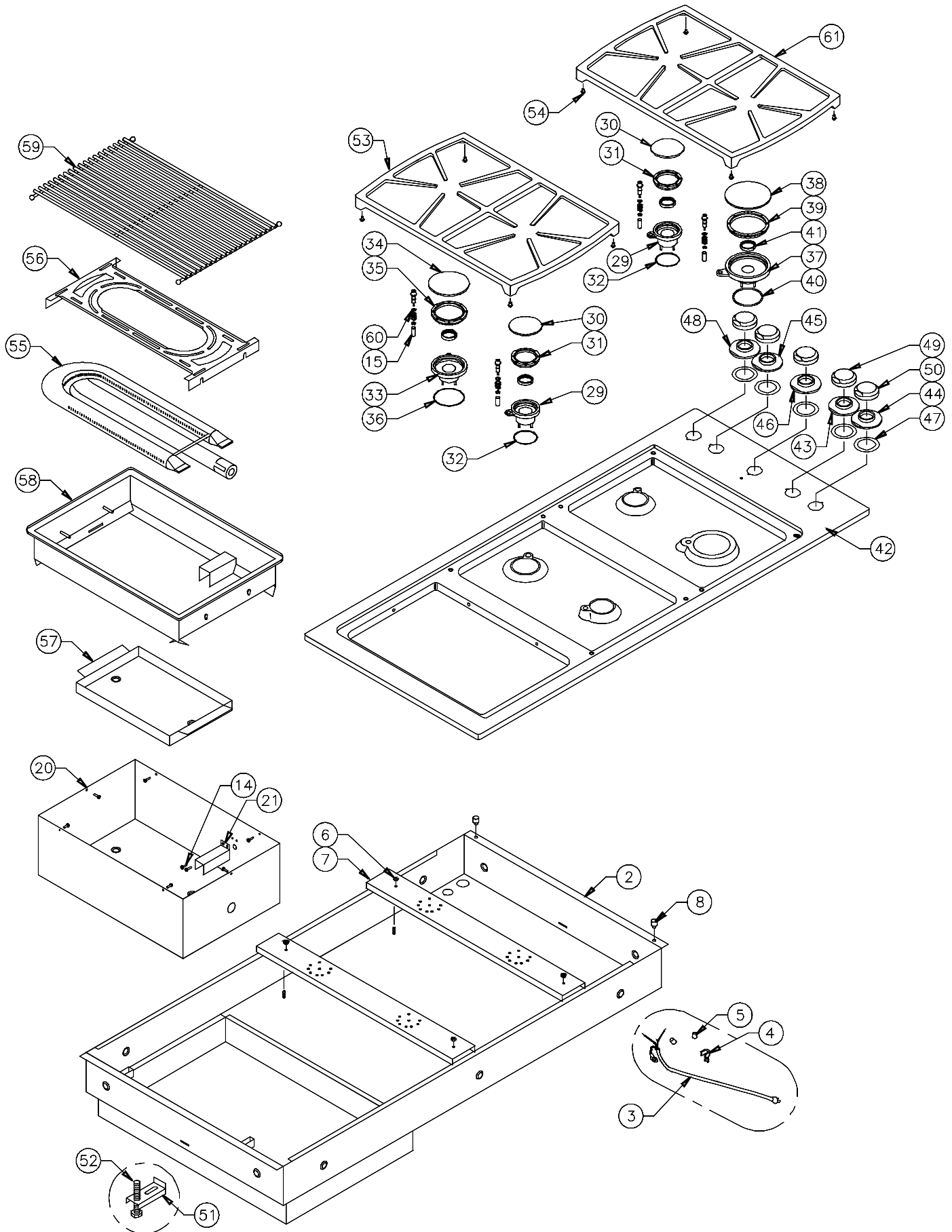
## **PARTS CATALOG**

### **SGM464GG Cooktop**

<b>Page</b>	<b>Description</b>
<b>2</b>	<b>Chassis and Burner Assemblies</b>
<b>3</b>	<b>Chassis and Burner Parts</b>
<b>4</b>	<b>Gas Supply Assembly</b>

Revised 06-21-2012

# SGM464GG - Chassis and Burner Assemblies



# SGM464GG - Chassis and Burner Parts

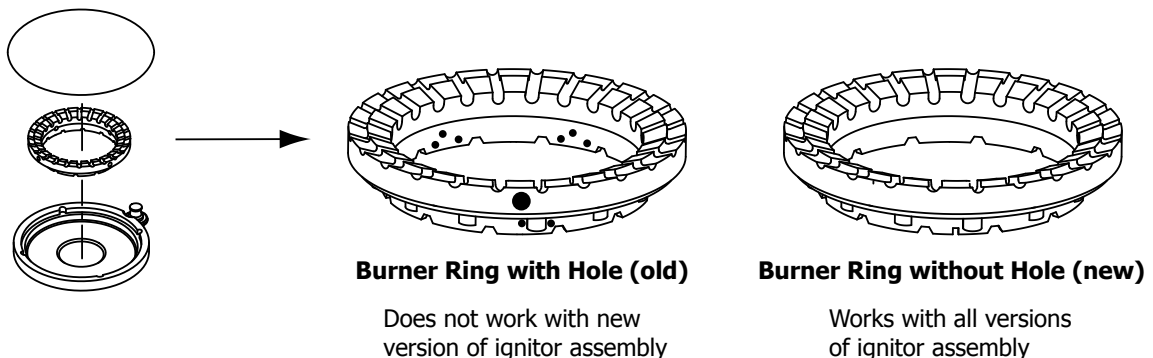
ITEM	PART#	Description
2	27720	CHASSIS
3	82562	POWER SUPPLY CORD
4	83141	BUSHING
5	83126	WIRE NUT
6	83048	KEPS NUT
7	26209	SUPPORT CHANNEL
8	83578	RUBBER BUMPER
14	83001	SCREW
15	62933	IGNITOR WIRE JACKET
20	27722BP	MODULE BOX ASSY
21	36567BP	IGNITOR COVER BRACKET
29	62951	BURNER HEAD (B)
30	86523BM	BURNER CAP (B)
31	86408 <sup>2</sup>	BURNER RING (B) <sup>2</sup>
32	86937	O-RING (B)
33	62952	BURNER HEAD (C)
34	86524BM	BURNER CAP (C)
35	86407 <sup>2</sup>	BURNER RING (C) <sup>2</sup>
36	86397	O-RING (C)
37	62953	BURNER HEAD (D)
38	62022BM	BURNER CAP (D)
39	86918 <sup>2</sup>	BURNER RING (D) <sup>2</sup>
40	86395	O-RING (D)

ITEM	PART#	Description
41	86405	BRASS NUT
42	36705BP	TOP FRAME, BLACK
	36705RP	TOP FRAME, WHITE
	36705S	TOP FRAME, STAINLESS
43	82973	SPILL PROTECTOR GASKET
44	62284SSGL	SPILL PROTECTOR
45	62284SSGR	SPILL PROTECTOR
46	62284SSGG	SPILL PROTECTOR
47	62284SSL	SPILL PROTECTOR
48	62284SSR	SPILL PROTECTOR
49	82974	KNOB
50	82977	KNOB WITH LOGO
51	27251	HOLD DOWN BRACKET
52	83065	BOLT, 1/4 - 20 x 3.5
53	72467SB <sup>3</sup>	GRATE <sup>3</sup>
54	66916	GRATE SUPPORT PAD (set of 4)
55	72036	U BURNER
56	36568BP	HEAT CHANNEL
57	36570BP	DRIP TRAY
58	27737BP	GREASE CONTROL BOX ASSY
59	82059	GRILL
60	76482-001 <sup>1</sup>	IGNITOR ASSY <sup>1</sup>
61	72470SB <sup>3</sup>	GRATE <sup>3</sup>

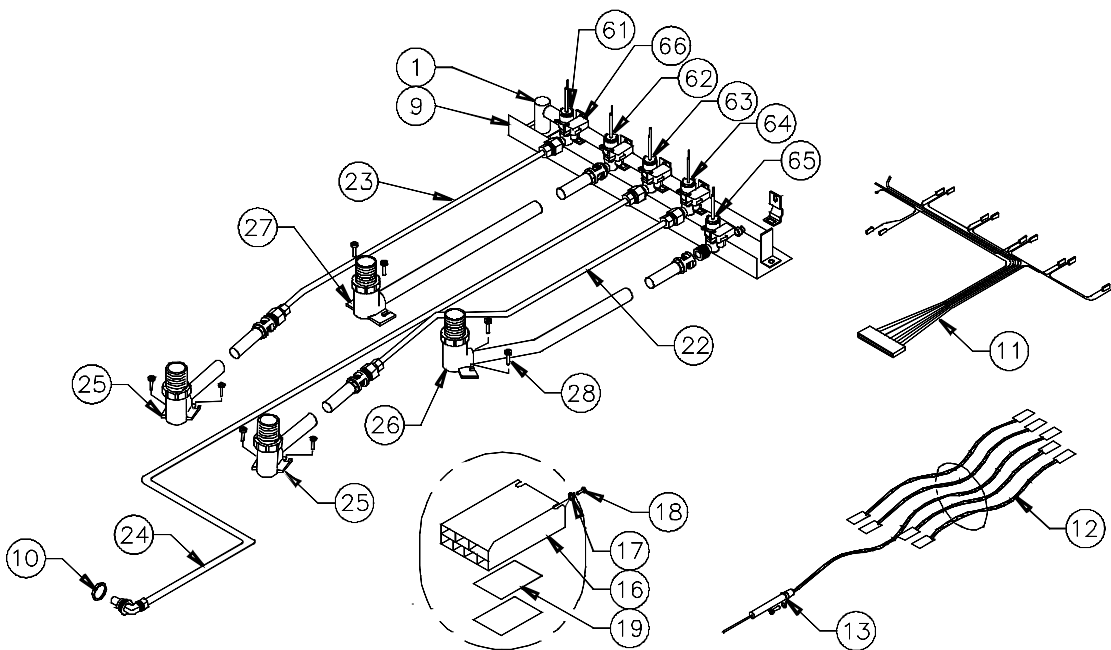
<sup>1</sup> **IMPORTANT:** The ignitor assembly and burner rings were redesigned on later versions of the cooktop. The older designs are no longer available. The new ignitor design only works with the newer burner ring design, while the new burner ring design is compatible with all versions of the ignitor assembly. When replacing the the ignitor assembly check to make sure the latest version of the burner ring is installed. If the burner ring has a hole on its side (see diagrams below), it must be replaced with correct size (B, C or D) of the newer version. Items 29, 30 and 31 above list the part numbers for the newer versions of the burner ring.

<sup>2</sup>For complete burner set of burner rings, order part number 72929. 72929 contains 2 B size rings, 1 C size ring and 1 D size ring.

<sup>3</sup>Revision B and later units utilized a new grate design. On Rev A units, replace both grates to make sure they match.



# SGM464GG - Gas Supply Assembly



ITEM	PART#	Description
1	72254	MANIFOLD WITH VALVES, NG
	72256	MANIFOLD WITH VALVES, LP
	72255	MANIFOLD WITH VALVES, NG, HIGH ALT.
	72257	MANIFOLD WITH VALVES, LP, HIGH ALT.
9	36537	BRACKET, VALVE SUPPORT
10	82284	PAL NUT
11	66624	MAIN WIRING HARNESS
12	66625	IGNITOR WIRE SET
13	66626	WIRING HARNESS, FLAME
16	86527	SPARK MODULE
17	83080	NYLON WASHER
18	83313	SCREW
19	83209	VELCRO HOOK/LOOP PAIR
22	62916	LF TUBE ASSY, NG
	62917	LF TUBE ASSY, NG, HIGH ALT.
	62918	LF TUBE ASSY, LP
	62919	LF TUBE ASSY, LP, HIGH ALT.
23	72275	LR TUBE ASSY, NG
	72272	LR TUBE ASSY, NG, HIGH ALT.
	72269	LR TUBE ASSY, LP
	72278	LR TUBE ASSY, LP, HIGH ALT.
24	72276	GG TUBE ASSY, NG
	72273	GG TUBE ASSY, NG, HIGH ALT.
	72270	GG TUBE ASSY, LP
	72279	GG TUBE ASSY, LP, HIGH ALT.
25	62144	BURNER TUBE/BASE FRONT

ITEM	PART#	Description
26	82677	RF BURNER TUBE/BASE (all gas types and altitudes)
27	72274	RR BURNER TUBE/BASE (all gas types and altitudes)
28	83306	SCREW, PHIL, TRUSS, #8 x 3/8"
61	66591	LR BURNER VALVE, NG
	86251	LR BURNER VALVE, NG, HIGH ALT.
	66598	LR BURNER VALVE, LP
	66602	LR BURNER VALVE, LP, HIGH ALT.
62	66592	RR BURNER VALVE, NG
	86291	RR BURNER VALVE, NG, HIGH ALT.
	86489	RR BURNER VALVE, LP
	86292	RR BURNER VALVE, LP, HIGH ALT.
63	66594	GG BURNER VALVE, NG
	66597	GG BURNER VALVE, NG, HIGH ALT.
	66601	GG BURNER VALVE, LP
	66605	GG BURNER VALVE, LP, HIGH ALT.
64	66592	LF BURNER VALVE, NG
	66595	LF BURNER VALVE, NG, HIGH ALT.
	66599	LF BURNER VALVE, LP
	66603	LF BURNER VALVE, LP, HIGH ALT.
65	66593	RF BURNER VALVE, NG
	66596	RF BURNER VALVE, NG, HIGH ALT.
	66600	RF BURNER VALVE, LP
	66604	RF BURNER VALVE, LP, HIGH ALT.
66	103789	SPARK SWITCH