

The Dacor logo is rendered in a bold, italicized, sans-serif font with a metallic, 3D effect. The letters are dark with a lighter, reflective highlight on the top and left sides, giving it a sleek, modern appearance. A registered trademark symbol (®) is located at the end of the word.

dacor®

The Life of the Kitchen.®

A photograph of a white Dacor RWDV30 warming drawer is shown in a kitchen setting. The drawer is integrated into a wooden cabinet. On the countertop above it, there is a white bowl, a large silver pot, and various kitchen items like a bottle of oil and a glass. The background is slightly blurred, focusing attention on the appliance.

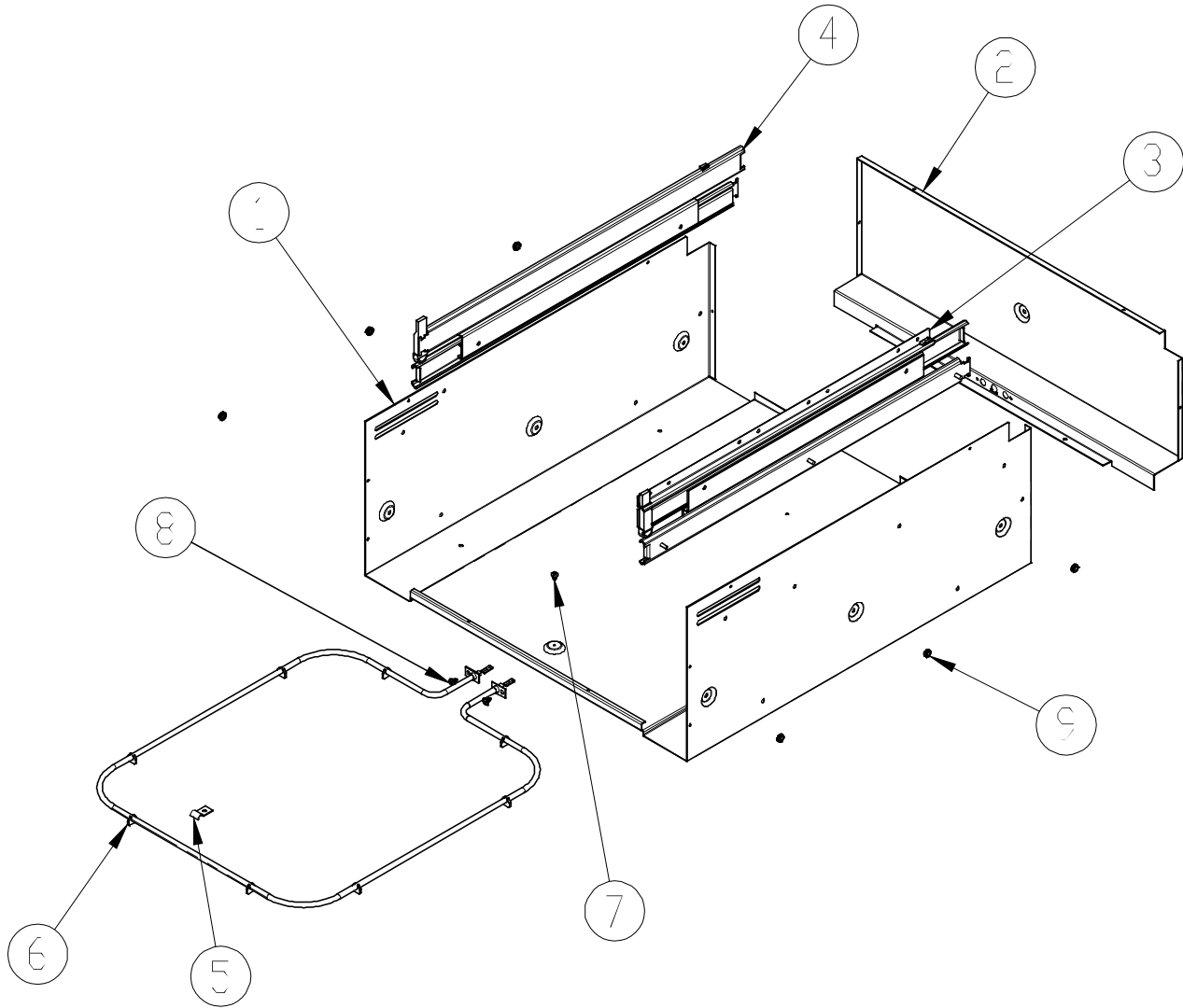
PARTS CATALOG

RWDV30 Warming Drawer

Page	Description
2	Chassis Wrap Assembly
3	Chassis Assembly
4	Chassis Parts
5	Drawer Assembly

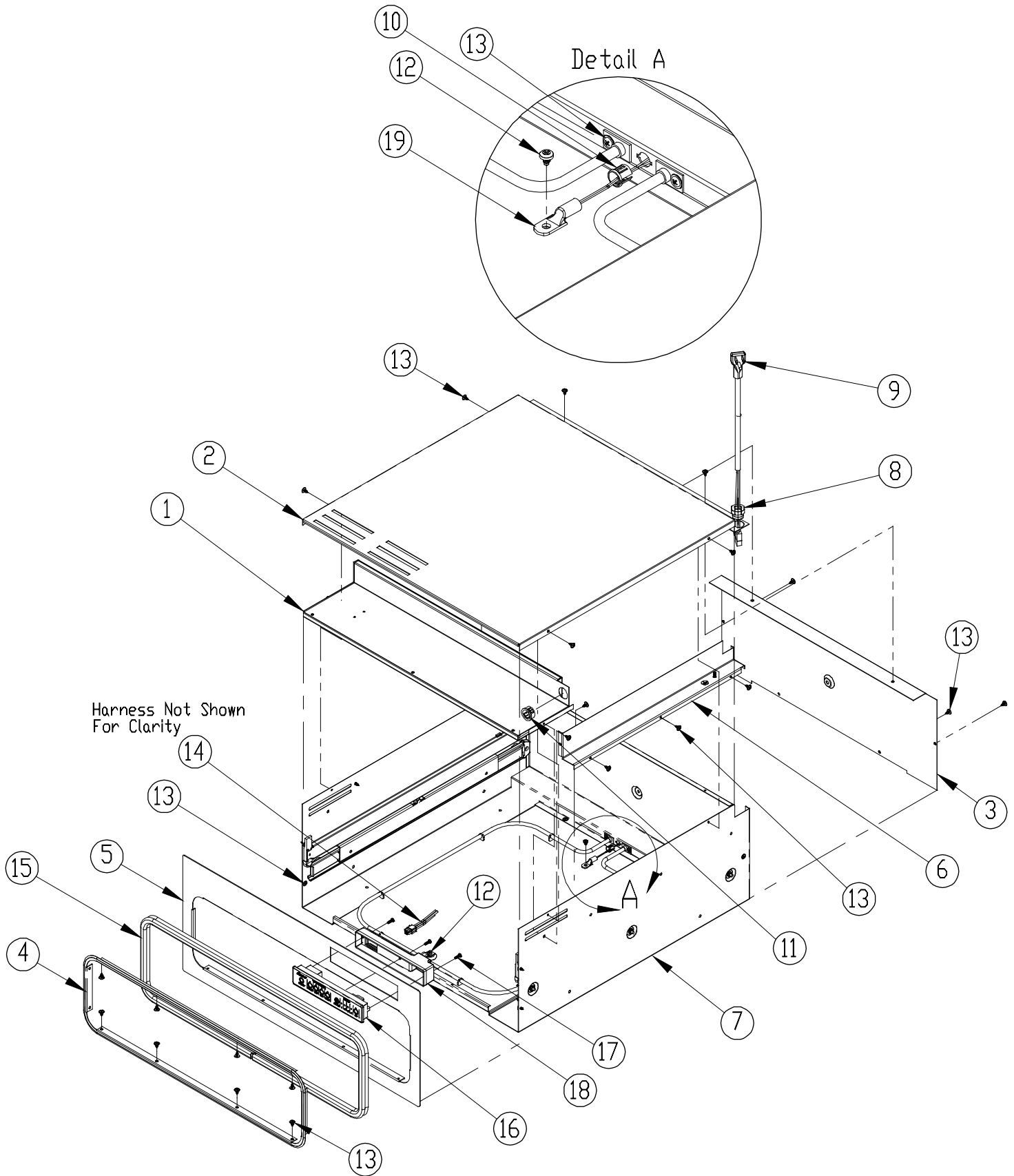
Revised 02-22-2012

RWDV30 - Chassis Wrap Assembly



Item	Description	Part #
1	Wrap, Chassis	101883-03
2	Rear Partition	101881-03
3	Slide Rail Set, RH	72737
4	Slide Rail Set, LH	(includes both rails)
5	Element Hold Down Clip	102321
6	Heating Element	101651
7	Screw, Phil HD, #8 x 1/4"	83001
8	Screw, Phil HD, #8 x 3/8"	83263
9	Nut, Hex Keps #8-32	83048

RWDV30 - Chassis Assembly



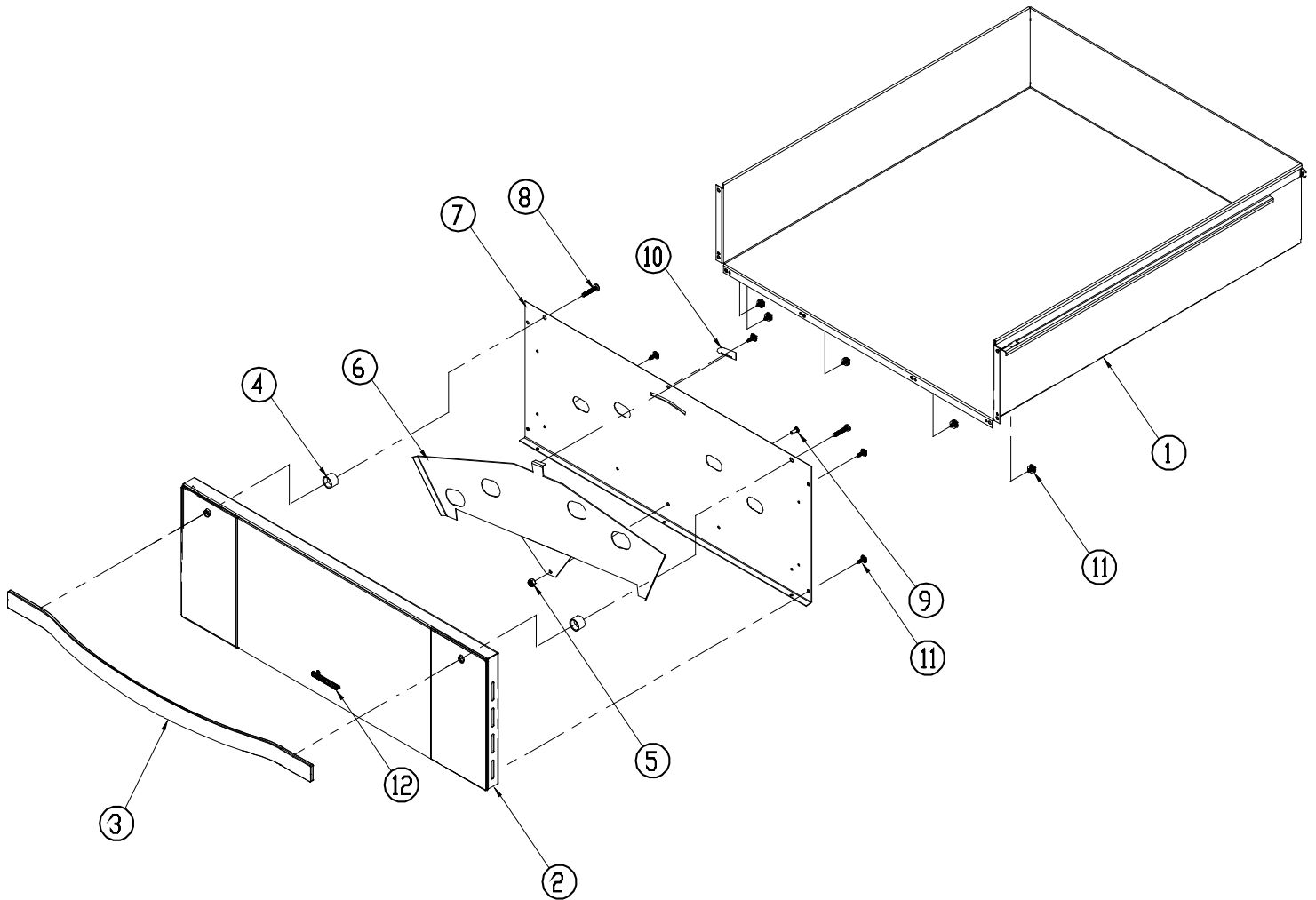
RWDV30 - Chassis Parts

Item	Description	Part #
1	Assy, Channel Control	700738-03
2	Top Cover	101882-03
3	Cover, Rear	102657-03
4	Frame Gasket	102445 ²
5	Front Frame Panel	101879-03B ²
6	Electric Chase Weld	700877
7	Assy, Chassis Wrap	700591-03
8	Strain Relief Bushing	83141
9	Power Supply Cord	72765
10	3/8" Bushing Hole	83532
11	Bushing, Heyco	83056
12	Screw, Phil HD, #8 x 1/4"	83001
13	Screw, Phil HD, #8 x 3/8"	83263 ²
14	Wire Harness (Not Shown)	102347
-	Hi-Limit Thermostat (Not Shown)	106613
15	Drawer Gasket	101649 ²
16	Control Unit w/Overlay	101645 ³
17	Screw, 6-19 x 1/2", Plastite	102499 ³
18	Cover, Control Unit	101610 ³
19	Thermistor	102472

¹Kit PN 701119-03 includes frame gasket, front frame panel, drawer gasket and 8 screws.

²Kit PN 701120 includes control unit, control unit cover and 3 screws.

RWDV30 - Drawer Assembly



Item	Description	Part #
1	Drawer Wrap	701121-03 ¹
2	Door Skin Assy, w/ Logo	701577 ²
3	Door Handle	72937
4	Door Spacer	92126
5	Nut, Nylon, #10-24	83447
6	Moist/Crisp Slide	36454
7	Panel, Door Backing	102198-03E
8	Screw, #10-32 x .75	83696
9	Screw, #8-32 x .375	83358
10	Knob, Damper-Black	82415B
11	Screw, Wfr HD, #8 x 3/8"	83534
12	Dacor Logo	72510CH
¹ PN 701121-03 includes 2 rivets, both rails and drawer wrap.		
² PN 701577 includes door front with glass, vertical trim pieces and Dacor logo.		