

dacor®

The Life of the Kitchen.®

PARTS CATALOG

RV Series Raised Vents

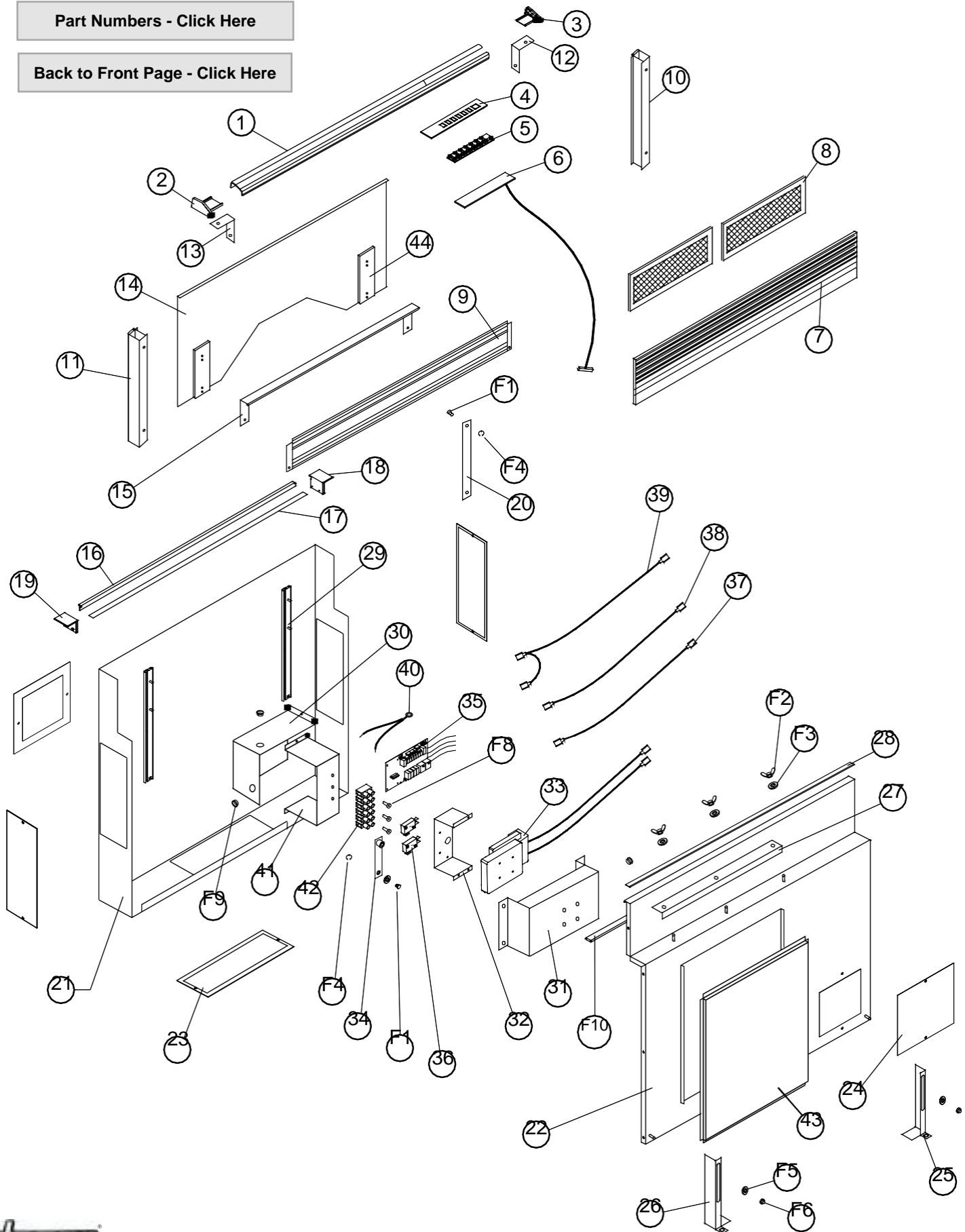
Page #	Description
2	Assembly Drawing <input type="button" value="Click Here"/>
3	Part Numbers <input type="button" value="Click Here"/>

Revised 08-14-2014

RV Series Raised Vent Assembly Drawing

Part Numbers - Click Here

Back to Front Page - Click Here



RV Series Raised Vent Parts Numbers

Item #	Part # RV30	Part # RV36	Part # RV46	Description
1	82740B/R/S*	82741B/R/S*	82742B/R/S*	Top Cap
2	82997	82997	82997	End Cap - Left
3	82996	82996	82996	End Cap - Right
4	82754	82754	82754	Bezel
5	82757	82757	82757	Keypad
6	82633	82633	82633	Keyboard, PCB
7	703500 ¹	703501 ²	703502 ³	Grill
8	82766	82767	82768	Filter
9	82791 ⁴	82792 ⁵	82793 ⁶	Sleeve Front ²
10	82762	82762	82762	Sleeve Side
11	82762	82762	82762	Sleeve Side
12	82940	82940	82940	End Cap Angle - Right
13	82941	82941	82941	End Cap Angle - Left
14	26621	26622	26623	Sleeve Rear Panel
15	82182	82183	82184	Bracket, Filter Retainer
16	82746	82747	82748	Plenum Trim
17	62235	62236	62237	Felt Wiper
18	82753	82753	82753	Plenum Angle - Right
19	82749	82749	82749	Plenum Angle - Left
20	82721	82721	82721	Sleeve Arm
21	27440	27441	27442	Rear Plenum Weldment
22	27443	27444	27445	Plenum Front
23	26626	26626	26626	Plenum Duct Hole Cover
24	26620	26620	26620	Electrical Box Cover
25	26521	26521	26521	Support Leg - Right
26	26522	26522	26522	Support Leg - Left
27	26627	26627	26627	Adjustable Channel
28	62232	62233	62234	Counter Seal
29	72522 ⁷	72522 ⁷	72522 ⁷	Slide, RV Sleeve
30	27447	27447	27447	Electrical Box Weldment
31	26653	26653	26653	Motor Mounting Box
32	26652	26652	26652	Limit Switch Mounting Brkt
33	62198	62198	62198	Motor, Sleeve Drive
34	82244	82244	82244	Drive Arm Weldment
35	700991 ⁸	700991 ⁸	700991 ⁸	Control Board Kit
36	82713	82713	82713	Limit Switch
37	14362	14362	14362	Limit Switch Wire, Red
38	14361	14361	14361	Limit Switch Wire, Blue
39	14363	14363	14363	Limit Switch Wire, White
40	12085	12085	12085	Ground Wire
41	26043	26043	26043	Terminal Strip Bracket
42	82143	82143	82143	Terminal Strip
43	26616	26616	26616	Cover
44	107108	107108	107108	Bracket, Slide Mounting

Items NOT Shown	
Part #	Description
76457	Sleeve Drive Motor
62634	Wiring Harness
62245	5 Amp fuse, used on board number 86100
62886	15 Amp fuse, used on board number 72028

#	Part #	Description
F1	82243	Drive Arm Stud
F2	83035	Wing Nut, # 10-24
F3	83008	Washer # 10
F4	83173	Spring Clip
F5	83203	Washer 1/4 - 20 Flat
F6	83049	Nut, Hex Keps 1/4-20
F8	83070	Set Screw 1/4 - 28
F9	83056	Bushing, Wire Protector
F10	62238	Foam Tape

- 1 Use PN 13081 on Rev D and earlier units.
- 2 Use PN 13082 on Rev D and earlier units.
- 3 Use PN 13083 on Rev D and earlier units.
- 4 Use PN 82737 on Rev D and earlier units.
- 5 Use PN 82738 on Rev D and earlier units.
- 6 Use PN 82739 on Rev D and earlier units.
- 7 Use PN 82717 on:
 - RV30R Rev M and earlier units.
 - RV30B Rev N and earlier units.
 - RV30S Rev N and earlier units.
 - RV36B Rev N and earlier units.
 - RV36S Rev N and earlier units.
 - RV46B Rev N and earlier units.
 - RV46S Rev N and earlier units.
- 8 Kit includes control board and 4 PCB supports.

[Back to Exploded View - Click Here](#)

[Back to Front Page - Click Here](#)



* Top Cap Color Code: B = black, R = white, S = stainless