



The Life of the Kitchen.®

PARTS CATALOG

RSG Range

IMPORTANT: This product may have some parts that are **No Longer Available (NLA)**. If the part you need is no longer available, please contact Dacor for a possible solution:

DACOR CARES PROGRAM NLA Part Locator Service

Customer Contact Number:

(800) 793-0093 ex. 2813
Hours: 6:00 AM - 5:00 PM Pacific Time

Service Agent/Technician Contact Number:

(800) 793-0093 ex. 3814
Hours: 7:00 AM - 4:00 PM Pacific Time

Web Inquiries: www.dacor.com/dacorcares

Email Inquiries: dacorcares@dacor.com

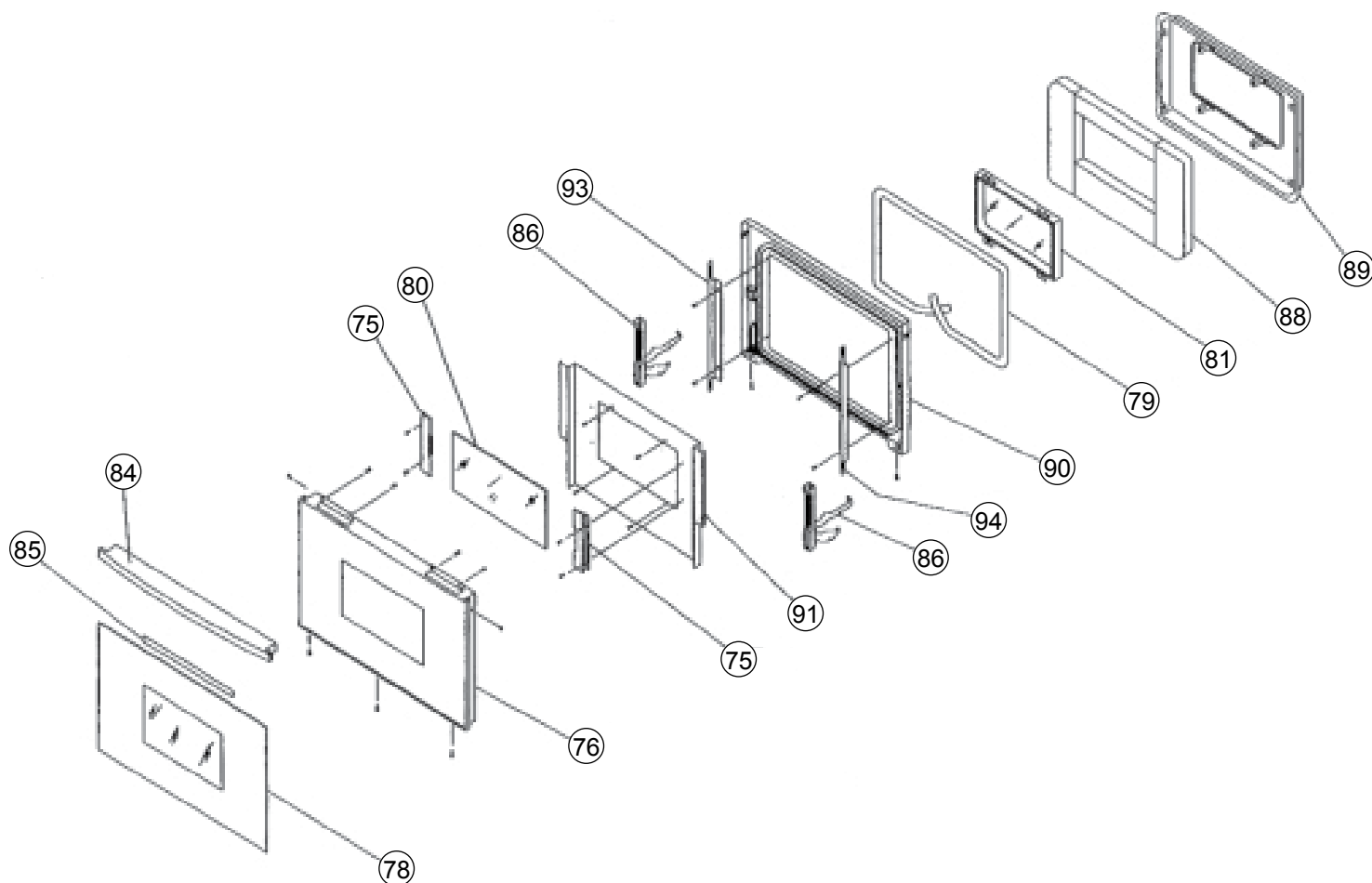
Please provide the following information:

- Your name and phone number
- Product model number
- Product serial number
- The part number(s) you need

Page	Description
2	Door Assembly
3	Gas Tubing/Control Assembly
4	Sub-Chassis Assembly
5	Sub-Chassis Parts
6	Base Assembly
7	Top Frame Assembly

Revised 07-07-2014

RSG Range Door Assembly



Item	Part	Description
75	-----	OBSOLETE
76	27486[*]	FRAME, GLASS MOUNTING (black/white)*
	27487B	FRAME, GLASS MOUNTING (stainless)
78	82216[*]	GLASS/OVERLAY ASSEMBLY (black/white)*
	86360	GLASS/OVERLAY ASSEMBLY (stainless)
79	82124	GASKET, DOOR
80	-----	OBSOLETE
81	12470	WINDOW PACK (10X16, double)
	82790BP	"J"-TRIM WINDOW PACK, (black porcelain)
	26429	THERMOCORD, WINDOW PACK
84	82122[*]	HANDLE
85	83224	TAPE, DOUBLE SIDED, .30 THK

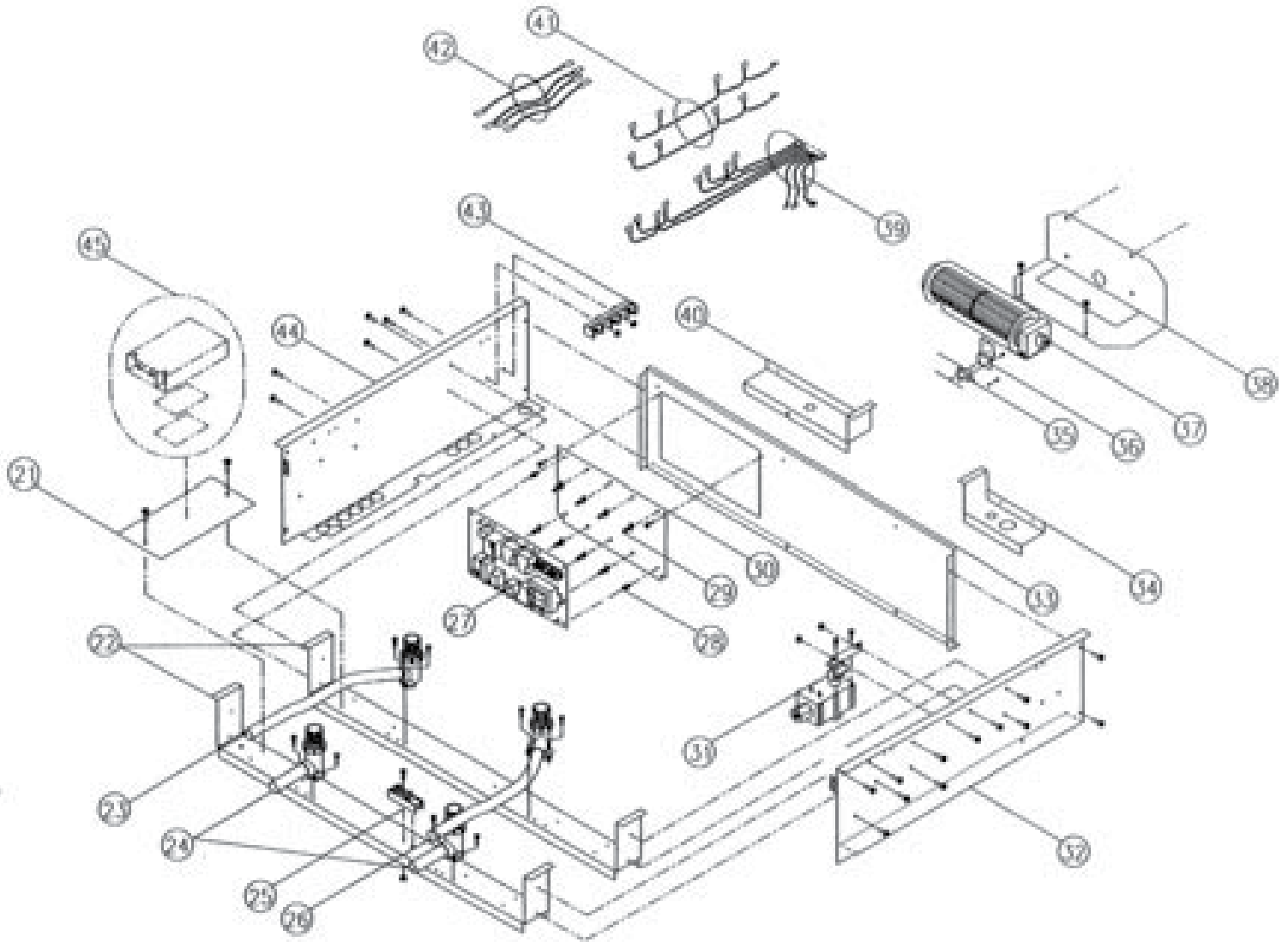
Item	Part	Description
86	82508	HINGE (stainless front)
	82883	HINGE (use for black and white units)
88	80172	INSULATION
89	27459BP	LINER, INNER
90	86746	LINER, OUTER
91	26575B	HEAT SHIELD
93	26577	SHIELD, LEFT
94	26576	SHIELD, RIGHT

* Letter at end of part number indicates color:
 B = black
 R = arctic white

Part no longer available? Contact Dacor: (800) 793-0093 ex. 3814



RSG Gas Tubing/Control Assembly

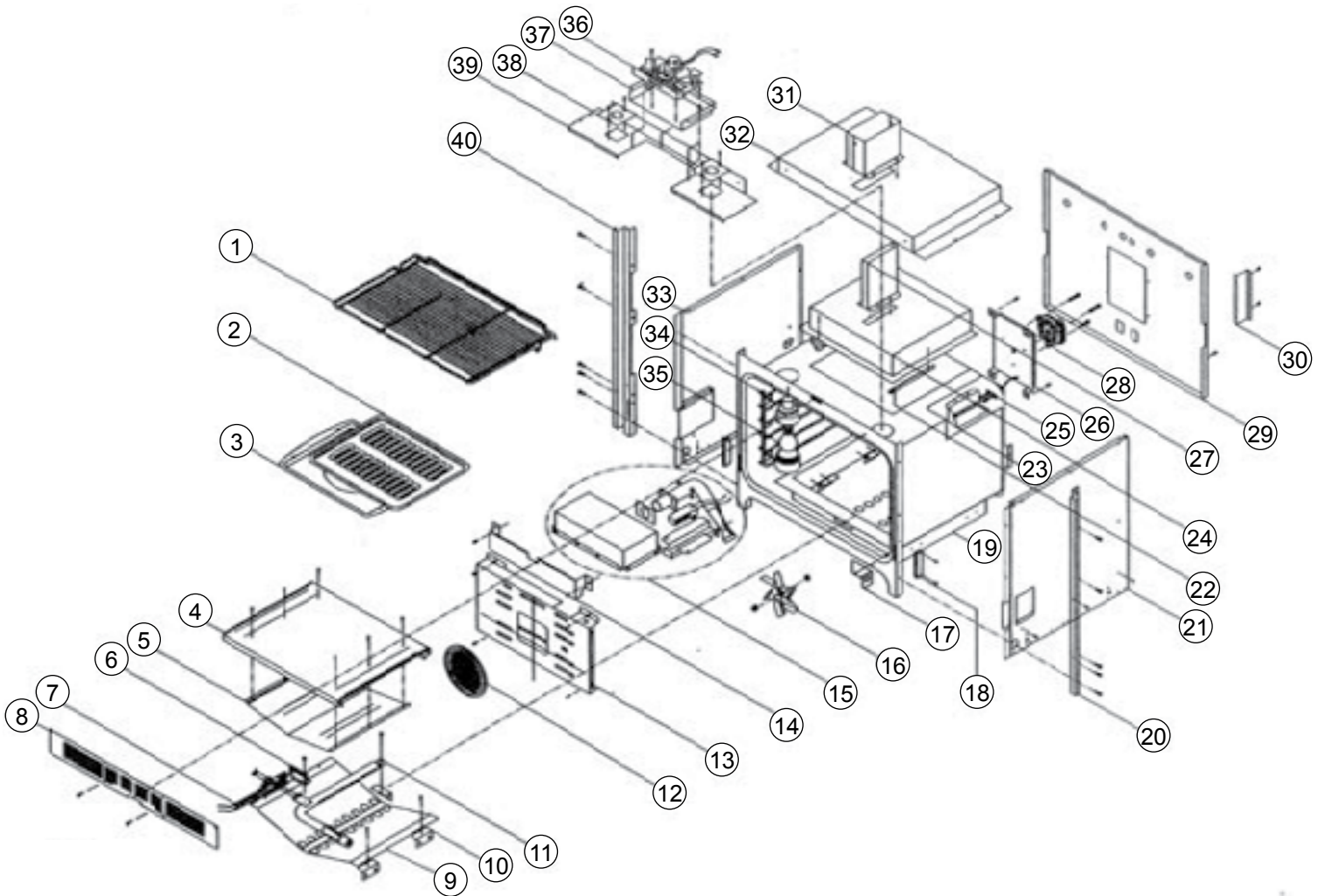


Item	Part #	Description
21	26027	SPARK BOX PLATE
22	26068	BURNER SUPPORT CHANNEL
23	62169	BURNER TUBE/BASE, LEFT REAR
24	62144	BURNER TUBE/BASE, FRONT, (LF, RF)
25	83556	TERMINAL BLOCK
26	62162	BURNER TUBE/BASE, RR
27	62438	RELAY, PCB
28	83053	STANDOFF, 6-32 X .44LG, HEX
29	83538	PCB SUPPORT, NYLON
30	26072	PCB MTG. PLATE
31	82429	VALVE, THERMAL
32	27132	SIDE SUPPORT, RIGHT
33	27103	ASSY, REAR PANEL
34	26431	AIR BAFFLE, CASE TOP, RIGHT

Item	Part #	Description
35	82081	SWITCH, SAIL
36	26448	BRKT, FAN STATUS INDICATOR
37	82347	COOLING FAN
38	26248	BRKT, COOLING FAN
39	86080	HARNESS, IGNITOR TO SW/LTS
40	26437	AIR BAFFLE, CASE TOP, LEFT
41	86081	JUMPER WIRES - SWITCH
42	86079	IGNITER WIRES (set of 4)
43	82151	TERMINAL BLOCK
44	26573	SIDE SUPPORT, LEFT
45	86526	SPARK MODULE, 4 POINT
-	82287 ¹	HARNESS, ERC TO RELAY PCB ¹
-	13181 ¹	POWER SUPPLY CORD ¹

¹ Not shown.

RSG Range Sub-Chassis Assembly



RSG Range Sub-Chassis Parts

Item	Part #	Description
1	82230	OVEN RACK
2	82106	PLATED GRILL, BROILER PAN
3	82107	BROILER PAN, BLK PORC.
4	-----	OVEN CELL (not replaceable)
5	26441	REFLECTOR, BAKE BURNER
6	26404	BRKT, TUBULAR BURNER
7	82473	HOT SURFACE IGNITOR
8	26288B	INTAKE GRILL
9	26440	HEAT SHIELD, BAKE BURNER
10	26536	BRKT, CELL BOTTOM SUPPORT
11	82431	BURNER, TUBULAR
12	82891	FILTER, CONVECTION
13	26138BP	CONVECTION BAFFLE
14	26126BP	COVER, CONV BAFFLE TOP
15	12042	ASSY, INFRARED BURNER
16	82651	FAN BLADE, CONVECTION MOTOR
17	26217	BRKT, BAKE BURNER HOOD
18	82851	RECEPTACLE, HINGE
19	27121	ASSY, OVEN BOTTOM PAN
20	26139[*]	TRIM POST, RIGHT
21	27137	ASSY, CASE SIDE, RIGHT
22	27098	ASSY, MOUNTING BRKT, IR BRNR.
23	26442BP	SHIELD, PROBE (use after Serial # KB7040004)
	27099BP	SHIELD, PROBE (use prior to Serial # KB7040004)
24	27119	ASSY, OVEN TOP PAN

Item	Part #	Description
25	86663	TEMP. SENSOR, SHORT
	62201	TEMP. SENSOR, LONG 10.5"
26	27470	CONV. MOTOR MOUNTING PLATE
27	27104	ASSY, VENT DUCT
28	82647	CONVECTION OVEN MOTOR
29	26447	CASE BACK
30	26357	TERMINAL BLOCK COVER
31	26478	HEAT SHIELD SIDE, VENT DUCT
32	26443	CASE TOP REAR
33	27139	ASSY, CASE SIDE, LEFT
34	82650	SUPPORT RACK, BLK PORC.
35	701750	LIGHT SERVICE KIT
36	701582 ¹	DOOR LATCH MECHANISM ¹
37	701582 ¹	LATCH PLATE ¹
38	26538	COVER PLATE, LIGHT
39	26124	CASE TOP FRONT
40	26143[*]	TRIM POST, LEFT;
-	26215	IGNITOR SHIELD
-	82574	BROIL FITTING (New style also order hood)
-	82576	HOOD "JET", BROIL-NG
-	82577	HOOD "JET", BROIL-LP
-	82089	LIGHT BULB, HALOGEN

* Letter at end of part number indicates color:

B = black

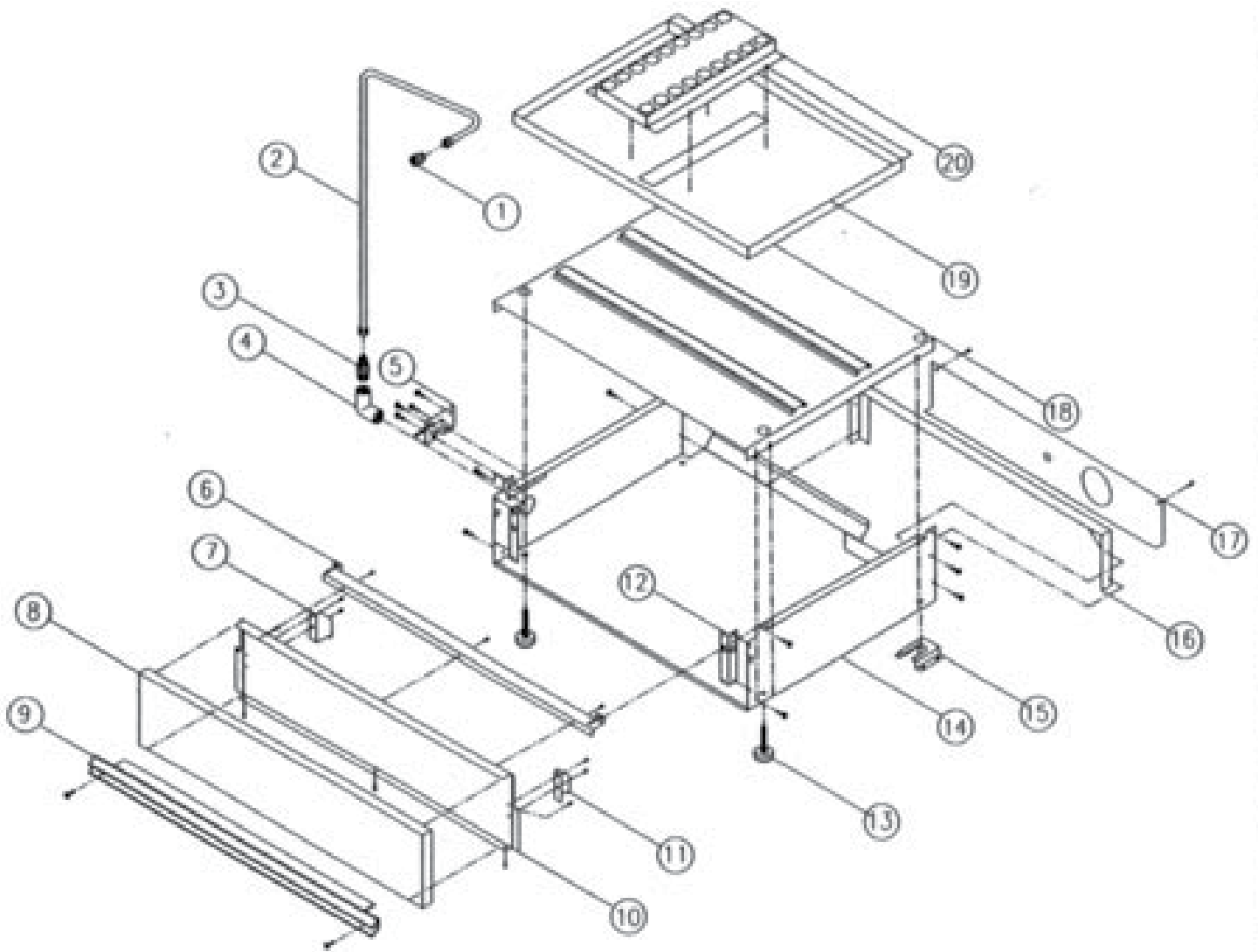
R = arctic white

¹Must order kit # 701582. Includes latch, latch plate and 6 screws.

Part no longer available? Contact Dacor: (800) 793-0093 ex. 3814



RSG Range Base Assembly



Item	Part #	Description
1	83050	ADAPTER, 3/8 FPT TO 3/8 TUBE
2	82348	GAS TUBE
3	82208	ADAPTER, 1/2 MNPT TO 3/8 TUBE
4	83281	ELBOW, 90 DEGREE, 1/2" IPS
5	26130	BRACKET, INLET FITTING
6	26477	BRACKET, KICK PANEL
7	26183	BRACKET, KICK PANEL SUPPORT - LH
8	13065[*]	ASSEMBLY, STORAGE PANEL ¹
9	82229[*]	EXHAUST GRILL, LOWER
10	26241[*]	FRONT PANEL
11	26280	BRACKET, KICK PANEL SUPPORT - RH

Item	Part #	Description
12	26052	BRACKET, STORAGE COMPARTMENT MTG
13	83034	LEVELER, ADJUSTABLE, 5/16"
	83359	LEVELER, ADJUSTABLE, 1/2"
14	27174	ASSY, BASE, RANGE (uses 1/2" leveler)
15	26041	BRACKET, ANTI-TIP
16	27048	ASSY, STIFFENER, BASE
17	26239	BASE, BACK COVER
18	27153	ASSY, EXHAUST PLATE
19	26533	CASE BOTTOM
20	26127	CASE BOTTOM COVER

¹ Includes items 7, 10 and 11

* Letter at end of part number indicates color:

B = black

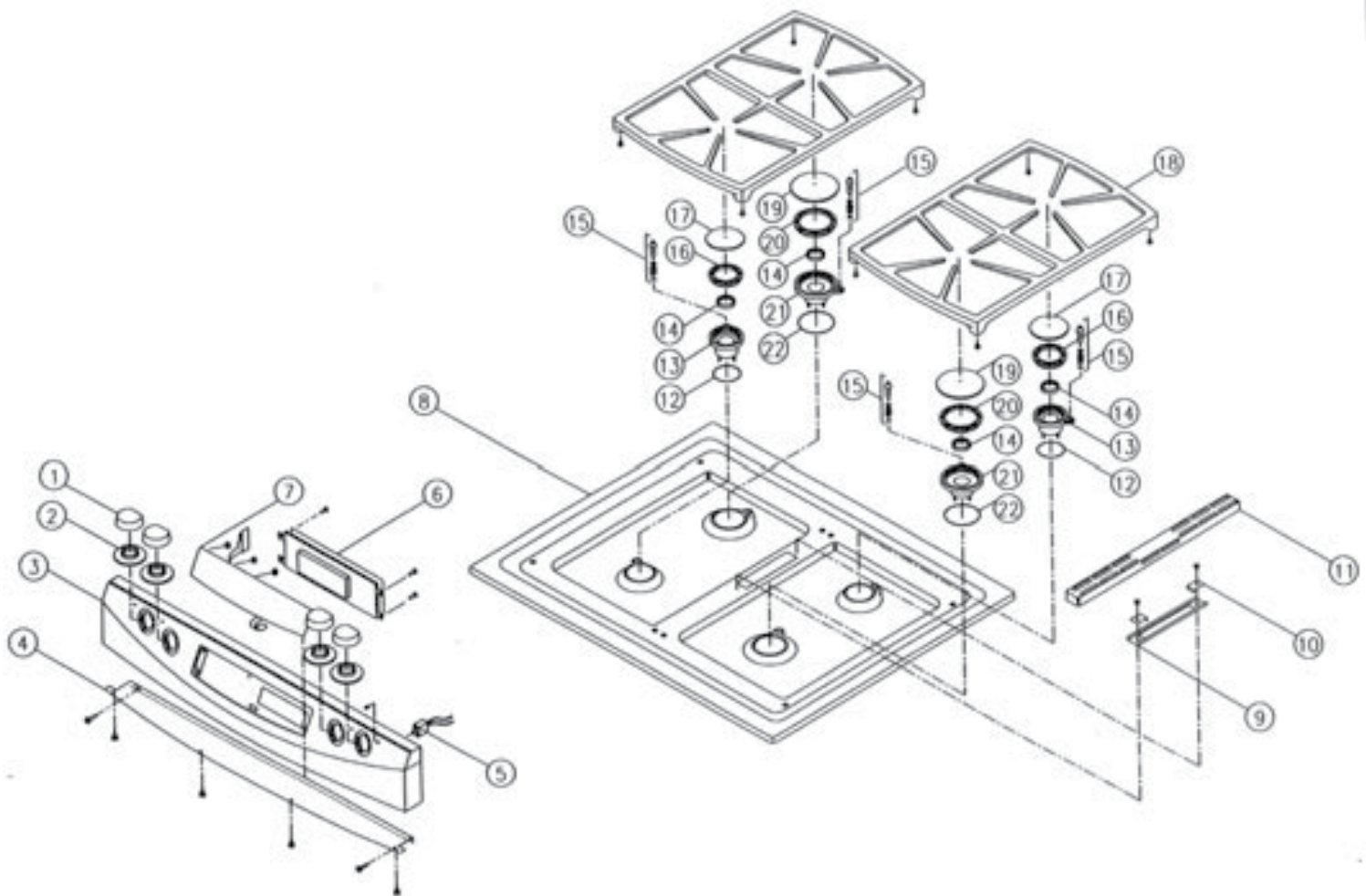
R = arctic white

13065 also available in stainless



Part no longer available? Contact Dacor: (800) 793-0093 ex. 3814

RSG Range Top Frame Assembly



Item	Part #	Description
1	82016[*]	KNOB
2	82036[*]	SPILL PROTECTOR
3	76479R[*]	BEZEL ASSEMBLY
4	26119B	CONTROL BEZEL TRIM
5	82233	INDICATOR LIGHT, BLUE NEON
6	62696	OVEN CONTROL
7	76479R[*] ¹	MEMBRANE ¹
8	26295[**]	TOP FRAME
9	26594	TRIM COLLAR, VENT DUCT

* Letter at end of part number indicates color:
 B = black
 R = arctic white

¹ Part of bezel assembly.

** Letters at end of part number indicate color:
 BP = black
 RP = arctic white
 SG = stainless

Item	Part #	Description
10	26184	BRACKET, VENT DUCT
11	26409BP	HEAT SHIELD, VENT CAP
12	86802	O-RING, B - BURNER HEAD
13	82681	B - BURNER HEAD ASSEMBLY, W/IGNITOR
14	86405	BRASS NUT; B, C - BURNER HEAD
15	66281	IGNITOR ASSEMBLY
16	86408	B - BURNER RING
17	86524BM	B - BURNER CAP, (medium)
18	82109BM	GRATE PACK EXTENDED
19	86523BM	C - BURNER CAP, (large)
20	86407	C - BURNER RING
21	82682	C - BURNER HEAD ASSEMBLY, W/IGNITOR
22	86801	O-RING, C - BURNER HEAD