

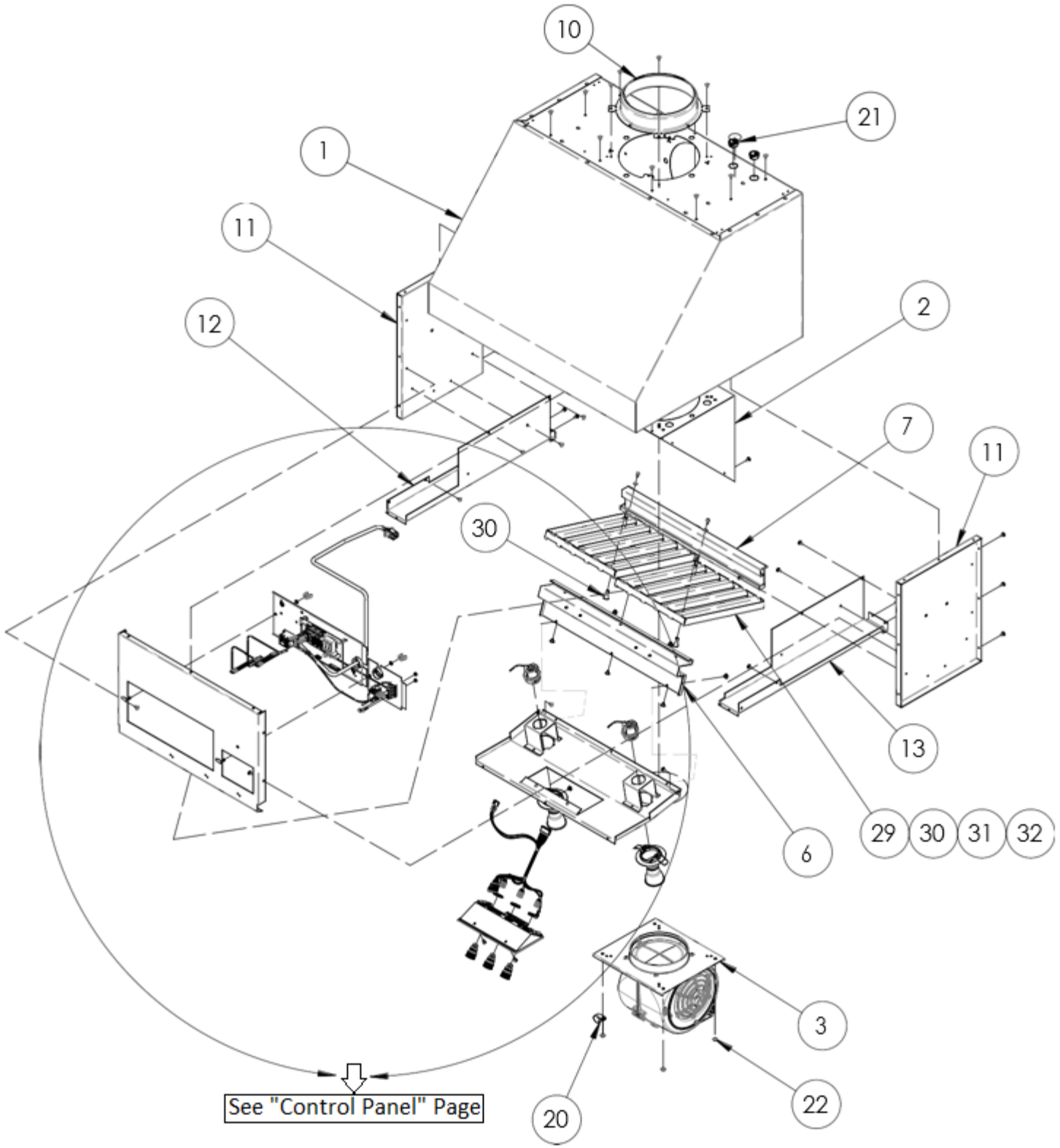
# ***dacor***

LET THE SHOW BEGIN

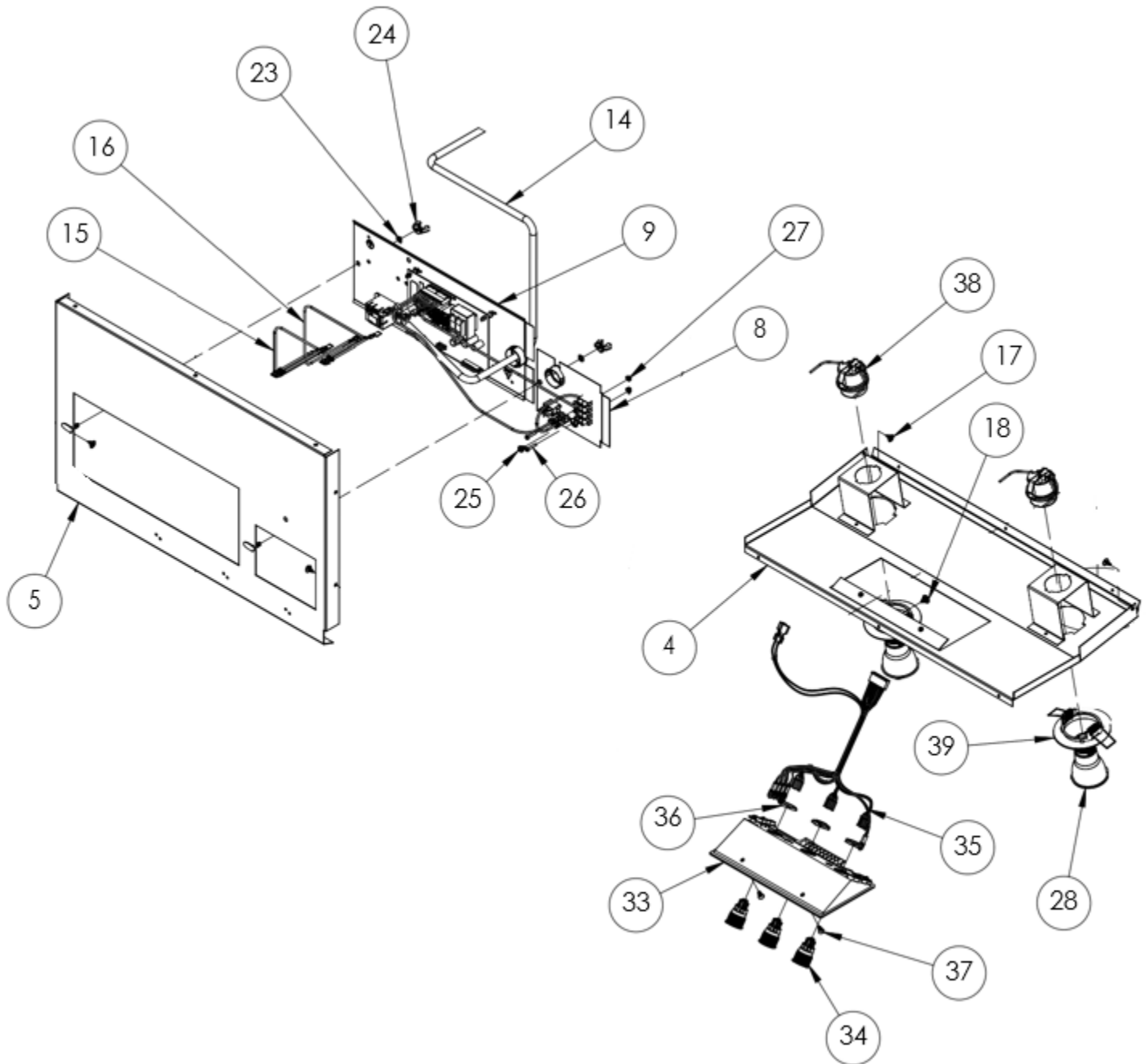
## RNHP3018



# HOOD ASSY.



# CONTROL PANEL



# RNHP3018

REF#	PART NUMBER	DESCRIPTION	NOTES
1	Not Serviceable	ASSY, 30X18IN CANOPY	
2	702423	ASSY, CANOPY, MTG BRKT	
3	702718	ASSEMBLY, BLOWER	
4	702446-01	ASSY, 30IN LINER, RNHP	
5	702447	WELDMENT, 30X18IN INTERIOR PNL	
6	702448	ASSY, 30IN REAR LINER	
7	702449	WELDMENT, 30IN GREASE TRAY	
8	702493	ASSY, TERMINAL BLOCK PLATE	
9	702494-01	ASSY, CONTROLLER	
10	101613	COLLAR, DAMPER	
11	109114	FRAME, SIDE	
12	109141-01	TRIM, 30IN, LH	
13	109141-02	TRIM, 30IN, RH	
14	109071	HARNESS, MAIN WIRE, 1-FAN	
15	109075	HARNESS, 2-LIGHT HOOD WIRE	
16	109075	HARNESS, 2-LIGHT HOOD WIRE	
17	83263	SCREW, PHILL, ROUND WASHER, HD.	
18	83534	SCREW, #8 X .375, ENAMEL PANEL	
19	102373	SCREW, #8-18 X 1/4"	
20	83167	CLAMP, CABLE 3/4"	
21	83056	BUSHING HEYCO SB-875-11	
22	83308	6-32 KEPS NUT	
23	83334	STARWASHER, #8	
24	83035	NUT, WING, #10-24	
25	83001	SCREW, PHIL PAN HD, 8 x 1/4"	
26	83530	SCREW, PHIL. PAN HD, 4-40 X .625 LG	
27	83531	NUT, HEX, KEPS 4-40	
28	109253	LIGHT, LED	
29	702495	WELDMENT, BAFFLE	
30	109109	KNOB, BAFFLE	
31	109328	SCREW 8-32 X 5/16" PHIL PAN HD	
32	83340	#10 LOCK WASHER	
33	702511	ASSY, CTRL PANEL	P/O 702446-01
34	109085	SWITCH, MOMENTARY, PUSH BUTTON	P/O 702446-01
35	109073	HARNESS, CTRL PANEL, WIRE	P/O 702446-01
36	P/O 701730/109085	JAM NUT	P/O 702446-01
37	107578	SCREW BP, PHIL, FLT HD, TYPE 1	P/O 702446-01
38	101624	LAMP HOLDER	P/O 702446-01
39	109355	TRIM, LAMP, HOODS	P/O 702446-01