

dacor®

The Life of the Kitchen.®

PARTS CATALOG

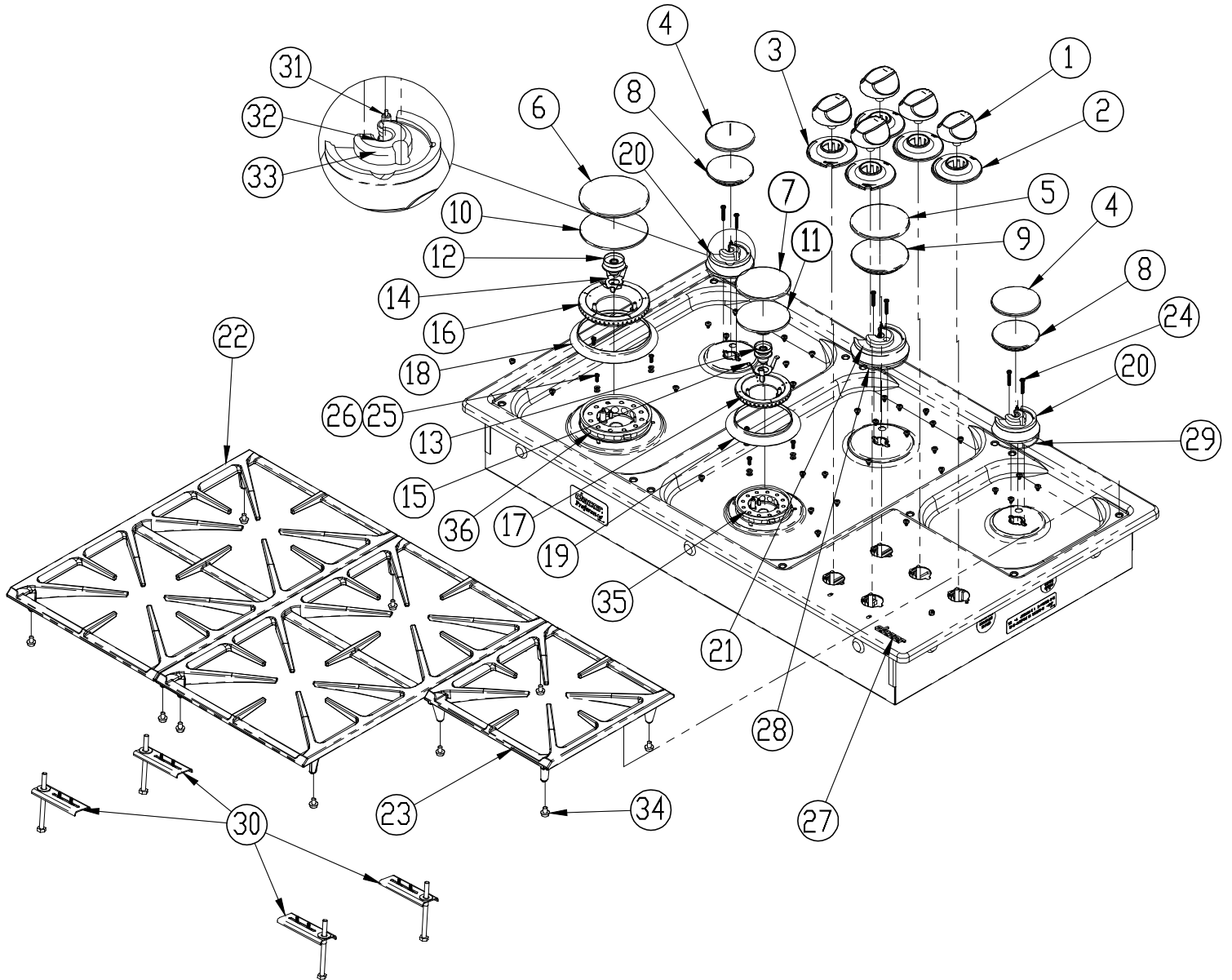
RGC365 Cooktop

Page #	Description
2	Top Frame Assembly
3	Top Frame Parts
4	Upper Assembly
5	Spark System/Burners & Tubes
6	Chassis Assembly

IMPORTANT: This model is not approved for field conversions from one gas type to another and from one altitude setting to another.

Revised 08-21-2013

RGC365 Top Frame Assembly



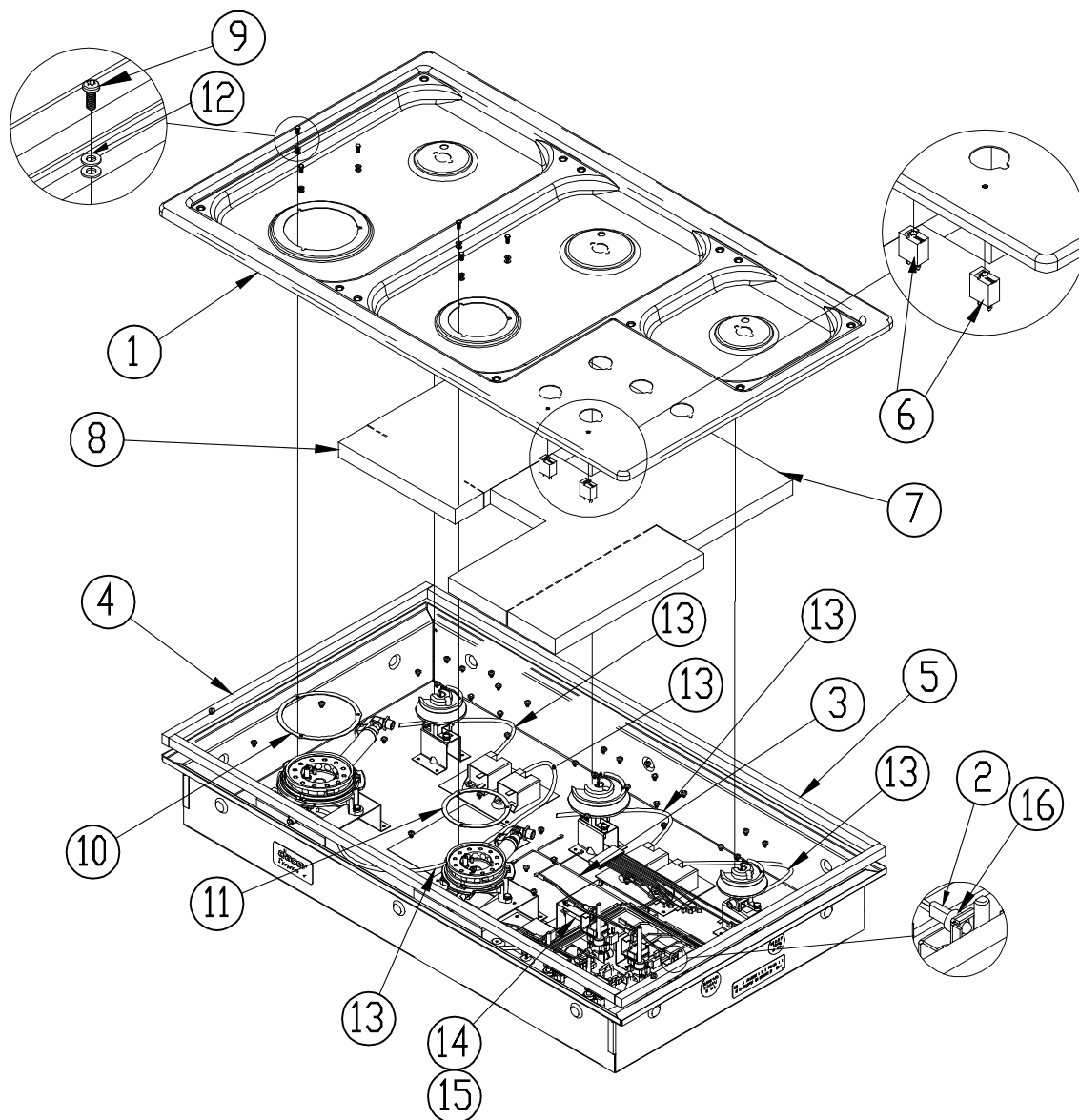
RGC365 Top Frame Parts

Item	Part #	Description
1	700834	Knob Assembly
2	103615-01	Spill Protector
3	103614-01	Spill Protector w/ Simmer
4	92235	Burner Head Cover, B-Burner
5	92236	Burner Head Cover, C-Burner
6	92232	Top Cap Cover, D-Dual
7	92231	Top Cap Cover, C-Dual
8	103735	Burner Head, B-Single
9	103737	Burner Head, C-Single
10	92230	Top Cap Flat, D-Dual
11	92460	Top Cap Flat, C-Dual
12	103756	Inner Burner Base, D-Dual
13	103801	Inner Burner Base, C-Dual
14	103739	Retaining Clip, D-Dual
15	103748	Retaining Clip, C-Dual
16	103738	Burner Head, D-Dual
17	103736	Burner Head, C-Dual
18	92226	Cross Ring, Skirt, D-Dual
19	92459	Cross Ring, Skirt, C-Dual
20	700174	Burner Base Assy, B-Base
21	700175	Burner Base Assy, C-Single
22	103475SB	Grate, Double, 12"
23	103476SB	Grate, Single, 10"
24	83716	Screw, Torx Pan Head
25	83707	Screw, Torx Pan Head
26	83719	Washer, #6 SS
27	72945CH	Dacor Logo
28	66983	O-Ring Burner, C-Single
29	66984	O-Ring Burner, B-Single
30	12269	Kit, Hold Down Brackets
31	100325 ¹	Electrode ¹
32	66976 ¹	Spring ¹
33	66960 ¹	Retaining Ring ¹
34	701101 ²	Grate Support Pad Kit ²
35	92388	Cross Ring, C-Burner
36	92195	Cross Ring, D-Burner

¹ Order As Kit # 700207. Contains one electrode, one spring and one retaining ring.

² Kit # 701101 contains four pads.

RGC365 Upper Assembly



Item	Part # RGC365S	Part # RGC365B	Description
1	700193 ¹	700194 ¹	Assy, Top Frame, Frame
2	701613/701614 ²	701613/701614 ²	LED Assembly Kit ²
3	106379 ³	106379 ³	Wire Harness
4	92310-001	92310-001	Foam Gasket
5	92310-003	92310-003	Foam Gasket
6	62036	62036	Blue Indicator Light
7	-	81609	Igniter Insulation, Right
8	-	81608	Igniter Insulation, Left

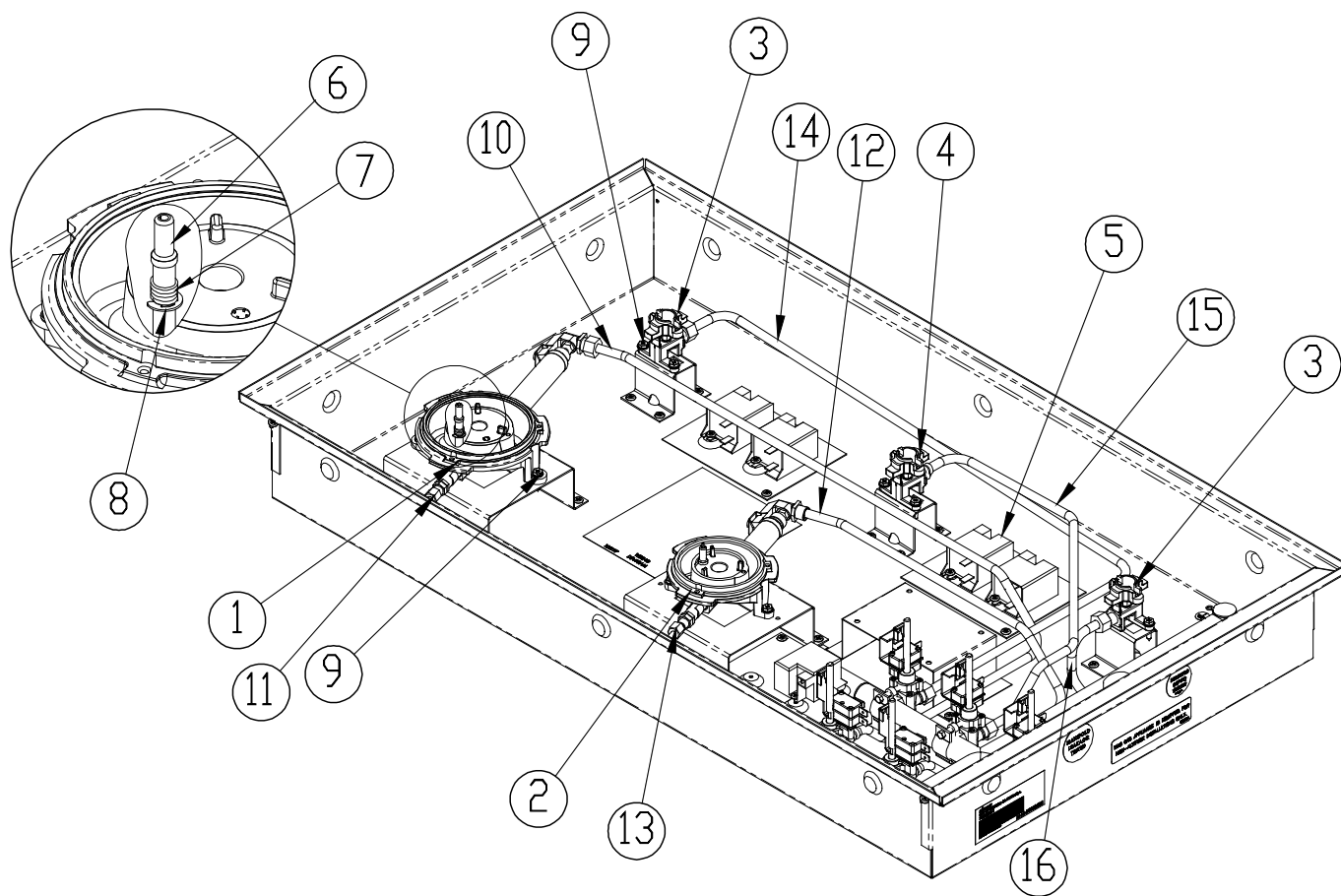
Item	Part # RGC365S	Part # RGC365B	Description
9	83707	83707	Screw, Torx Pan Head
10	92309	92309	Graphite Gasket, D-Dual
11	92308	92308	Graphite Gasket, C-Dual
12	-	83719	Washer, #6 SS
13	66978 ²	66978 ²	Igniter Wires (set of 4)
14	106104	106104	Board, LED Isolator
15	83538	83538	Support, Nylon PCB
16	103757	103757	Retaining Ring, LED

¹ Top frame kits shown include top frame with logo, 2 dual burner gaskets, 3 single burner O-rings and 6 screws.

² Use kit P/N 701613 for units before serial number M-A-09170098. Use kit P/N 701614 for units with serial number M-A-09170098 and later (includes isolator board). All versions include 5 LEDs. Replace all 5 so that they match in brightness.

³ Order # 103790 for complete wiring kit with wiring harness and all 4 igniter wires included.

RGC365 Spark System/Burners and Tubes

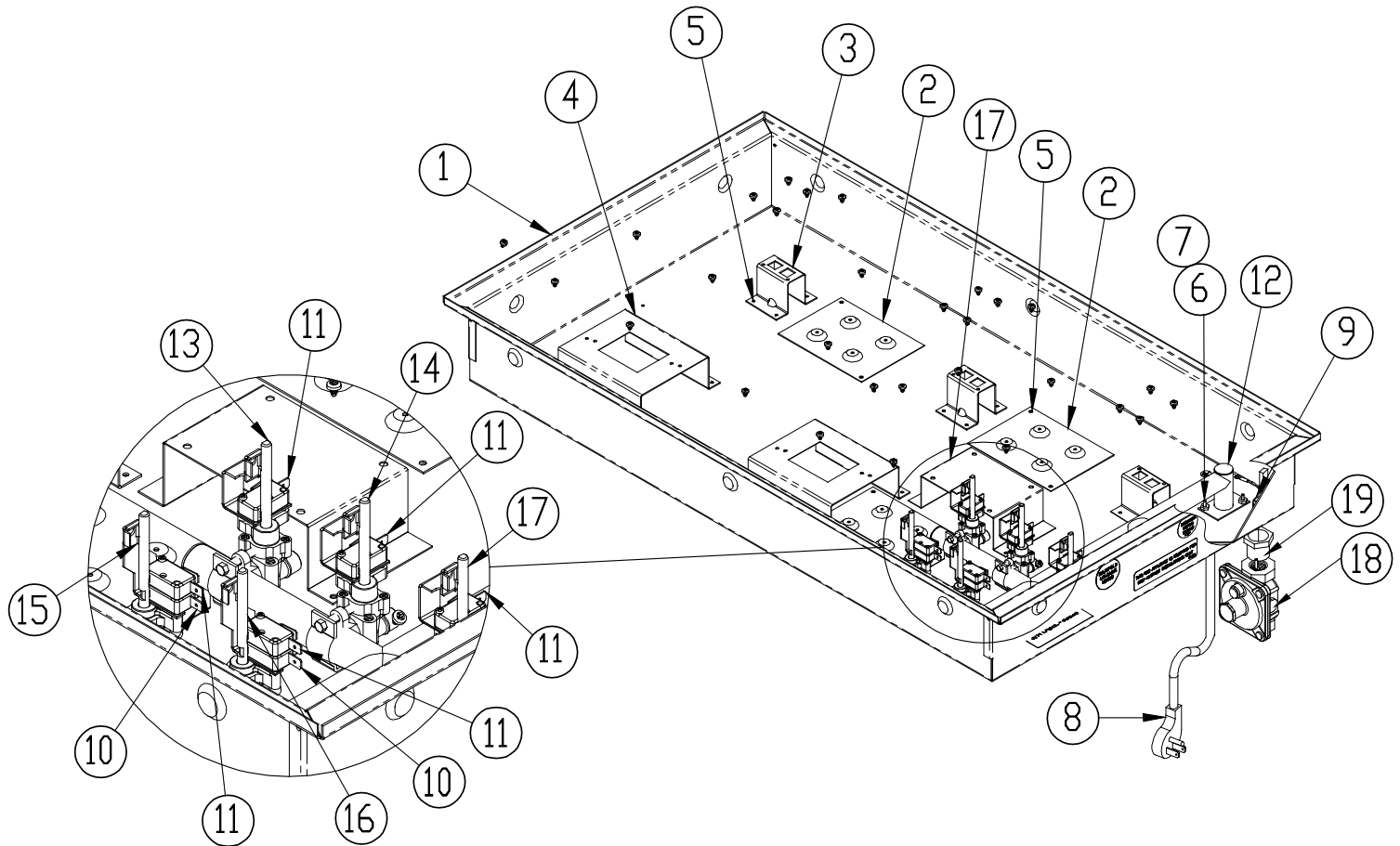


Item	Part # NG	Part # LP	Part #NGH	Part # LPH	Description
1	103744-01 ¹	103744-02 ¹	103744-03 ¹	103744-04 ¹	D-Dual, Burner Base
2	103747-01 ¹	103747-02 ¹	103747-03 ¹	103747-04 ¹	C-Dual, Burner Base
3	72806NG	72806LP	72806NGH	72806LPH	Jet Holder, B Single
4	72809NG	72809LP	72809NGH	72809LPH	Jet Holder, C Single
5	72634	72634	72634	72634	Spark Module
6	92237 ²	92237 ²	92237 ²	92237 ²	Igniter, Dual Burner
7	92238 ²	92238 ²	92238 ²	92238 ²	Spring, Dual Igniter
8	66960 ²	66960 ²	66960 ²	66960 ²	Retaining Ring, Dual Igniter
9	83700	83700	83700	83700	Screw, Phil, #10 x 3/4
10	72784	72784	72784	72784	Burner Tube #4, 5/16"
11	107145	107145	107145	107145	Flex Tube 27 Inch Long, 3/16"
12	72786	72786	72786	72786	Burner Tube #5, 5/16"
13	107146	107146	107146	107146	Flex Tube 20 Inch Long, 3/16"
14	72781	72781	72781	72781	Burner Tube #1, 5/16"
15	72782	72782	72782	78782	Burner Tube #2, 5/16"
16	72783	72783	72783	72783	Burner Tube #3, 5/16"

¹ Includes igniter.

² Must order complete kit (PN 76245). Kit includes one igniter, one spring and one retaining ring.

RGC365 Chassis Assembly



Item	Part #	Description
1	46318	Chassis
2	46297	Igniter Mounting Plate
3	46319	Single Support Channel
4	46286	Support Channel Dual
5	83001	Screw, Phil HD, #8 x 1/4"
6	83048	Nut, Hex, Keps, #8-32
7	83572	Screw, Phil, #8-32 x 1/2"
8	72765	Cord, Power Supply
9	83141	Bushing, Strain Relief
10	66987	Mirco-switch "NC"
11	66986	Mirco-switch "NO"
12	72797NG/NGH/LP/LPH	Manifold w/ Valves Asy.
13	66953NG/NGH/LP/LPH	Single Valve, B-Burner
14	66971NG/NGH/LP/LPH	Single Valve, C-Burner
15	66972NG/NGH/LP/LPH	Dual Valve, D-Burner
16	66955NG/NGH/LP/LPH	Dual Valve, C-Burner
17	103798	Bracket, LED Isolation
18	72980	Regulator 10", LP
	62834	Regulator 5/10", NG
19	83458	Reducer Bushing