

The Dacor logo is rendered in a bold, italicized, sans-serif font with a metallic, 3D effect. The letters are dark with a lighter, reflective highlight on the top and left sides, giving it a sleek, modern appearance.

The Life of the Kitchen.®

The background of the page is a faded, grayscale image of a kitchen. It features a white gas range with a white bowl on the cooktop, a white dishwasher, and various kitchen items like a coffee maker and bottles on the counter. The text 'PARTS CATALOG' is overlaid in large, bold, 3D-style letters in the center of the image.

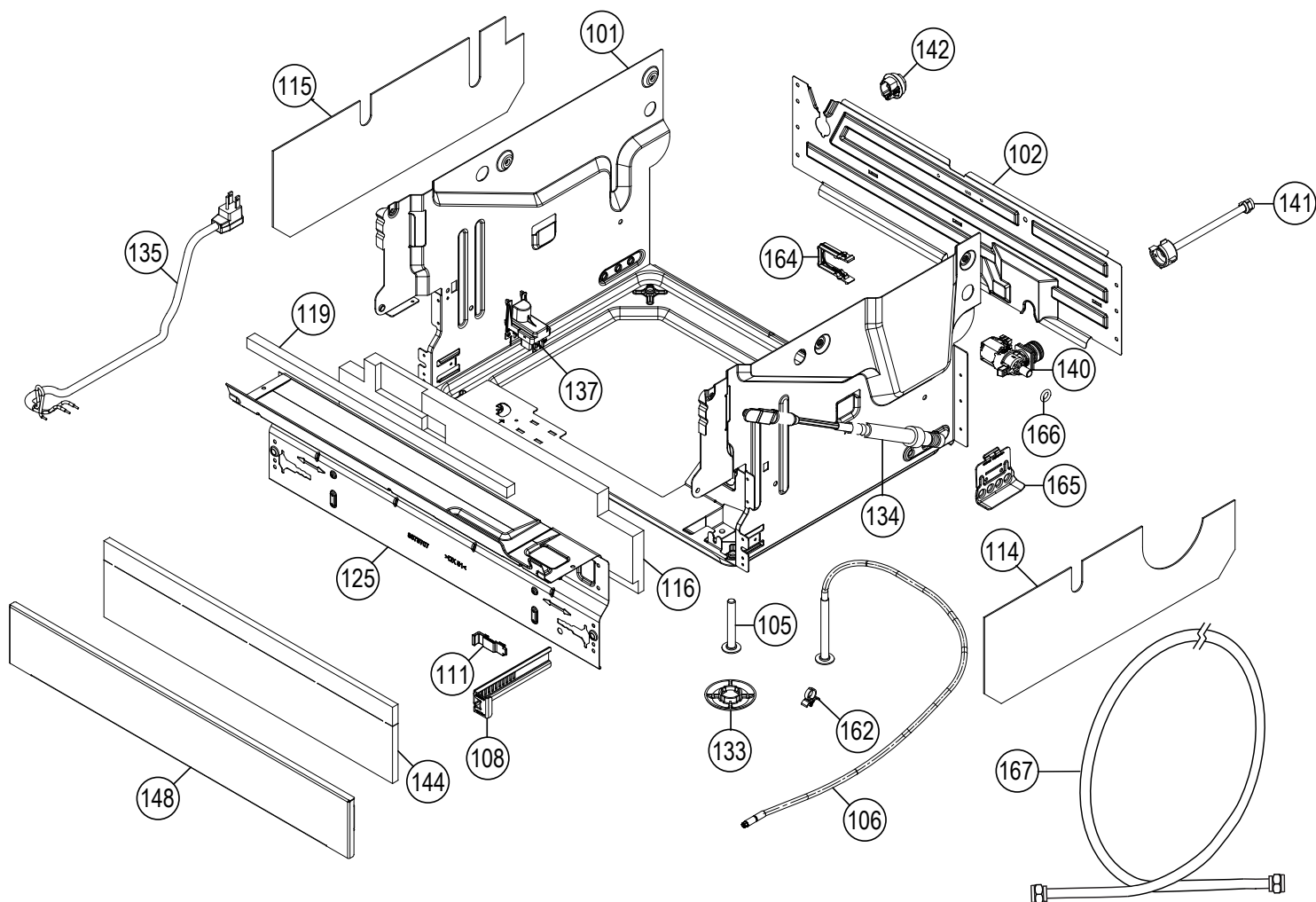
# PARTS CATALOG

## **RDW24S Dishwasher**

<b>Page</b>	<b>Description</b>
<b>2</b>	<b>Base Assembly</b>
<b>3</b>	<b>Drain and Filter Assembly</b>
<b>4</b>	<b>Door Assembly</b>
<b>5</b>	<b>Upper Chassis Assembly/ Wash Compartment</b>
<b>6</b>	<b>Wash System</b>
<b>7</b>	<b>Control Panel</b>

Revised 04-09-2015

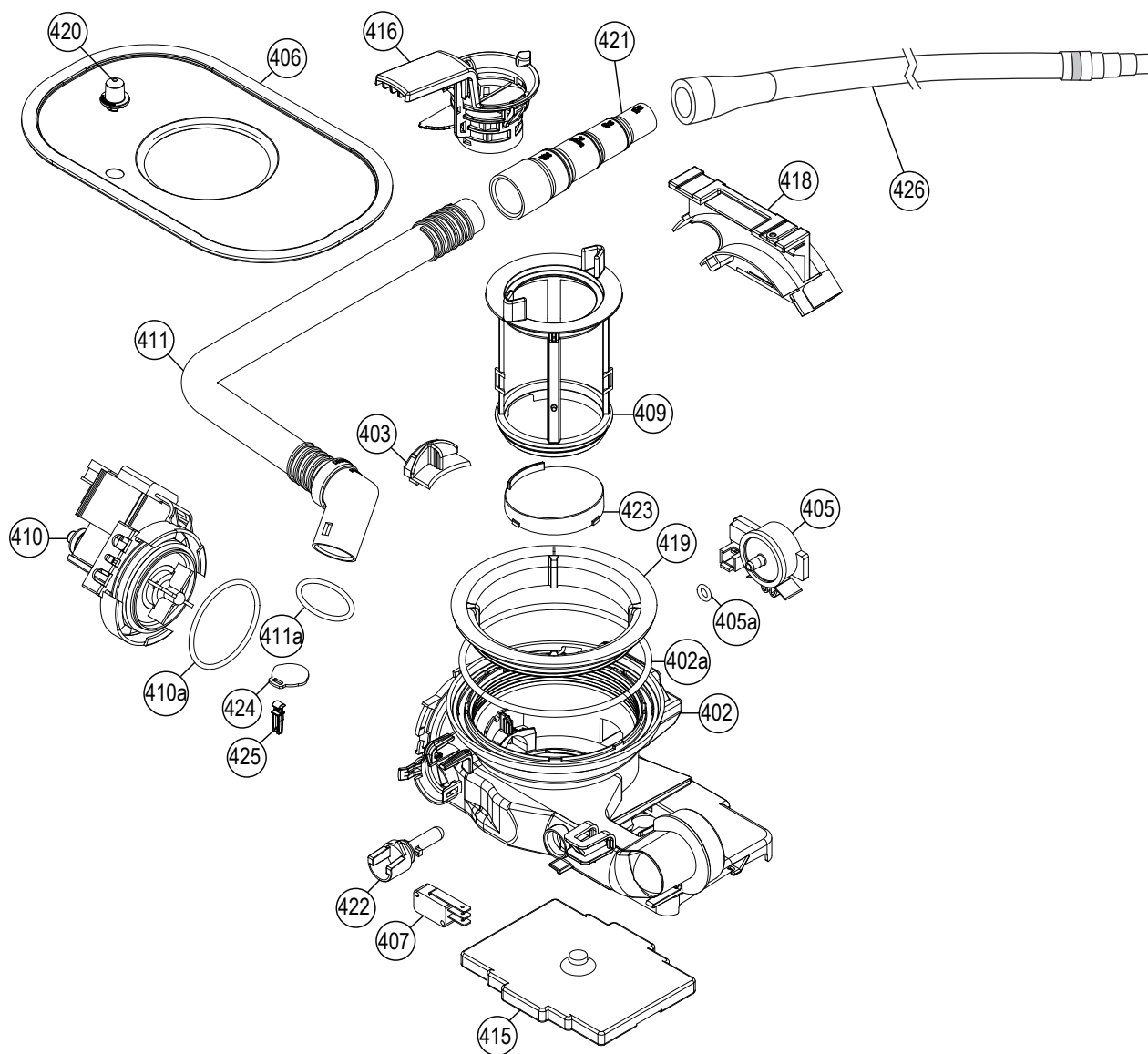
# RDW24S Dishwasher - Base Assembly



Item	Part #	Description
<b>101</b>	105220	BOTTOM OUTER COMPLETE
<b>101-a</b>	105267	SCREW M4 x 8 A4 MRT VAXED T20
<b>101-b</b>	105813	SCREW O-RING A2-M6 X 12 T30
<b>102</b>	105167	REAR PANEL
<b>102-a</b>	105231	SCREW RTS 4.2 X 13 FZB T20 SORT.
<b>105</b>	105153	FOOT M10 X 75 T30 8.8 FZB
<b>106</b>	105236	FOOT ADJUSTABLE FROM FRONT CPL
<b>108</b>	105142	BRACKET KICKING PLATE
<b>111</b>	105143	SPRING KICKING PLATE L-GREY
<b>114</b>	105814	SOUND ABSORP. SELF AD. RIGHT
<b>115</b>	105815	SOUND ABSORP. SELF AD. LEFT
<b>116</b>	105817	SOUND ABSORBENT GUARD PLATE
<b>119</b>	105818	SOUND ABSORPTION PROFILE
<b>125</b>	105168	GUARD PLATE STRAIGHT
<b>125-a</b>	105231	SCREW RTS 4.2 X 13 FZB T20 SORT.
<b>133</b>	105103	SLIDE FOOT DM-14

Item	Part #	Description
<b>134</b>	105208	DOOR SPRING CPL HARD DAMPER YEL
	105241	DOOR SPRING CPL HARD DAMPER RED
	105338	DOOR SPRING, HEAVY DUTY
<b>135</b>	105201	CORD SET 15A
<b>137</b>	105199	FILTER WITH SCREW PLINT
<b>137-a</b>	105226	SCREW MRT-TT 4 X 10 FZB T20
<b>140</b>	105218	KIT INL.VALVE/LOCK ARM SING 120V
<b>141</b>	105111	CONNECTIONS PIPE 9/16-3/4 UL4
<b>142</b>	105102	GROMMET Z13
<b>144</b>	105819	SOUND ABSORB. KICKING PLATE
<b>148</b>	105145	KICK-PLATE USA XXL MET.GREY
<b>162</b>	105240	CABLE HOLDER SRC-8-01
<b>164</b>	105193	LOCK ARM INLET VALVE
<b>165</b>	105169	HOLDER DOOR SPRING OUT. BOTTOM
<b>165-a</b>	105232	SCREW RTK ST 4,2 X 9.5 FZB WAX.
<b>166</b>	105820	O-RING 10 X 3.5
<b>167</b>	105111	WATER LINE WITH O-RING

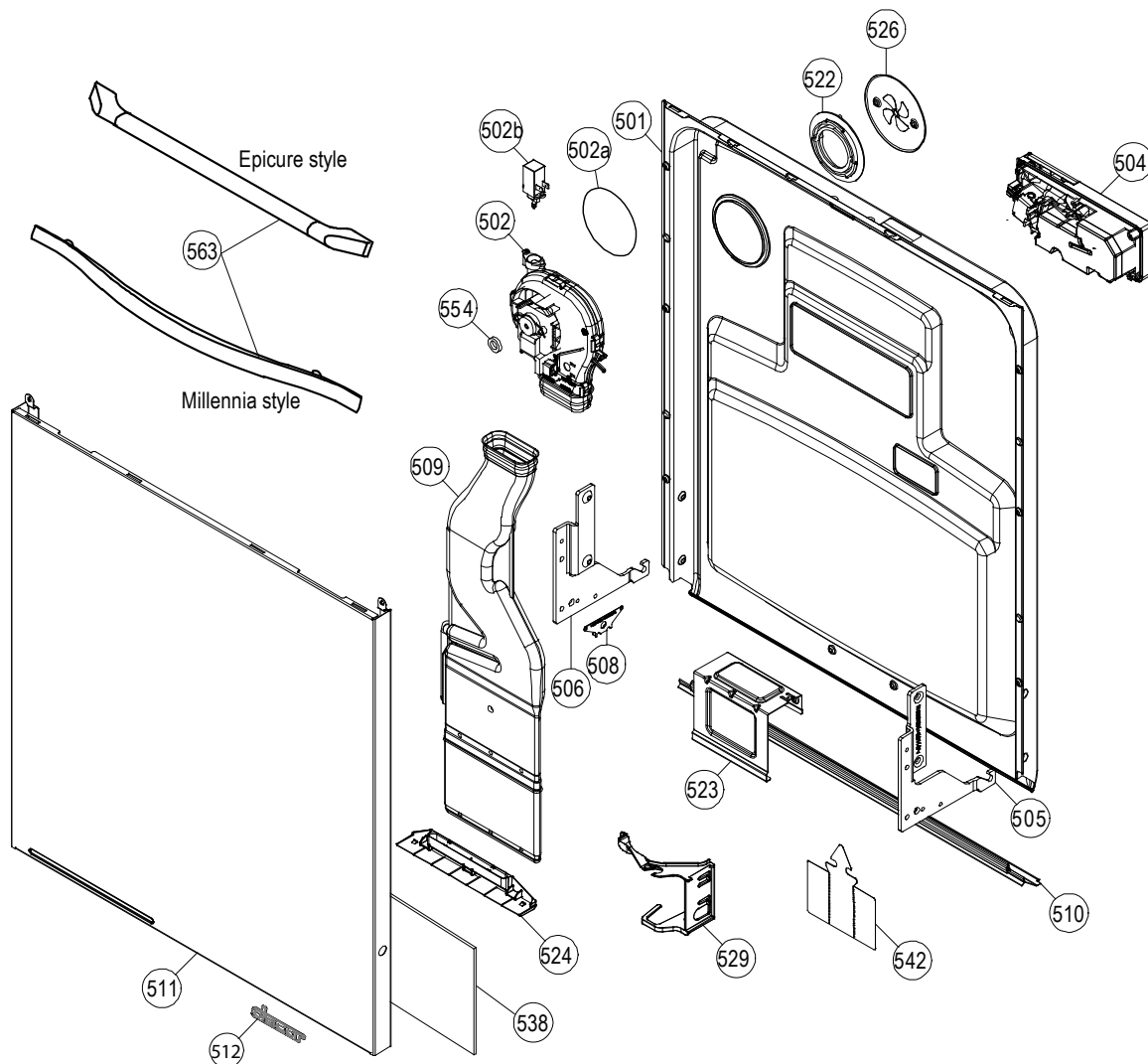
# RDW24S - Drain and Filter Assembly



Item	Part #	Description
<b>402</b>	105207	BOTTOM WELL PRESSURE SENS.
<b>402-a</b>	105137	O-RING 110 x 4
<b>403</b>	105171	RINSE BOTTOM WELL YELLOW
<b>405</b>	105149	PRESSURE SENSOR *ESD*
<b>405-a</b>	105152	O-RING 6.3 X 2.4
<b>406</b>	105128	STRAINER DW20
<b>407</b>	105147	MICROSWITCH FLOAT
<b>409</b>	105163	PIPE FILTER ELECTRO POLISH CPL
<b>410</b>	105181	DRAIN PUMP 120V 60Hz
<b>410-a</b>	105115	O-RING 49.5 X 3.0
<b>411</b>	105821	OUTLET W HARD END CUFF
<b>411-a</b>	105233	O-RING 32.2 X 3

Item	Part #	Description
<b>415</b>	105170	FLOAT
<b>416</b>	105164	STRAINER BASKET GREY
<b>418</b>	105127	HOLDER OUTLET HOSE
<b>418-a</b>	105101	CABLE STRIP
<b>418-b</b>	105227	SCREW PT KB40 X 10
<b>419</b>	105129	LOCK RING BOTTOM WELL
<b>420</b>	105135	VENTILATOR
<b>421</b>	105144	END CUFF
<b>422</b>	105178	THERMISTOR
<b>423</b>	105197	BOTTOM LID TUBE FILTER
<b>424</b>	105195	SEALING FLAT NON RETURN VALVE
<b>425</b>	105200	HOOK NON RETURN VALVE
<b>426</b>	105203	DRAIN HOSE

# RDW24S Dishwasher - Door Assembly

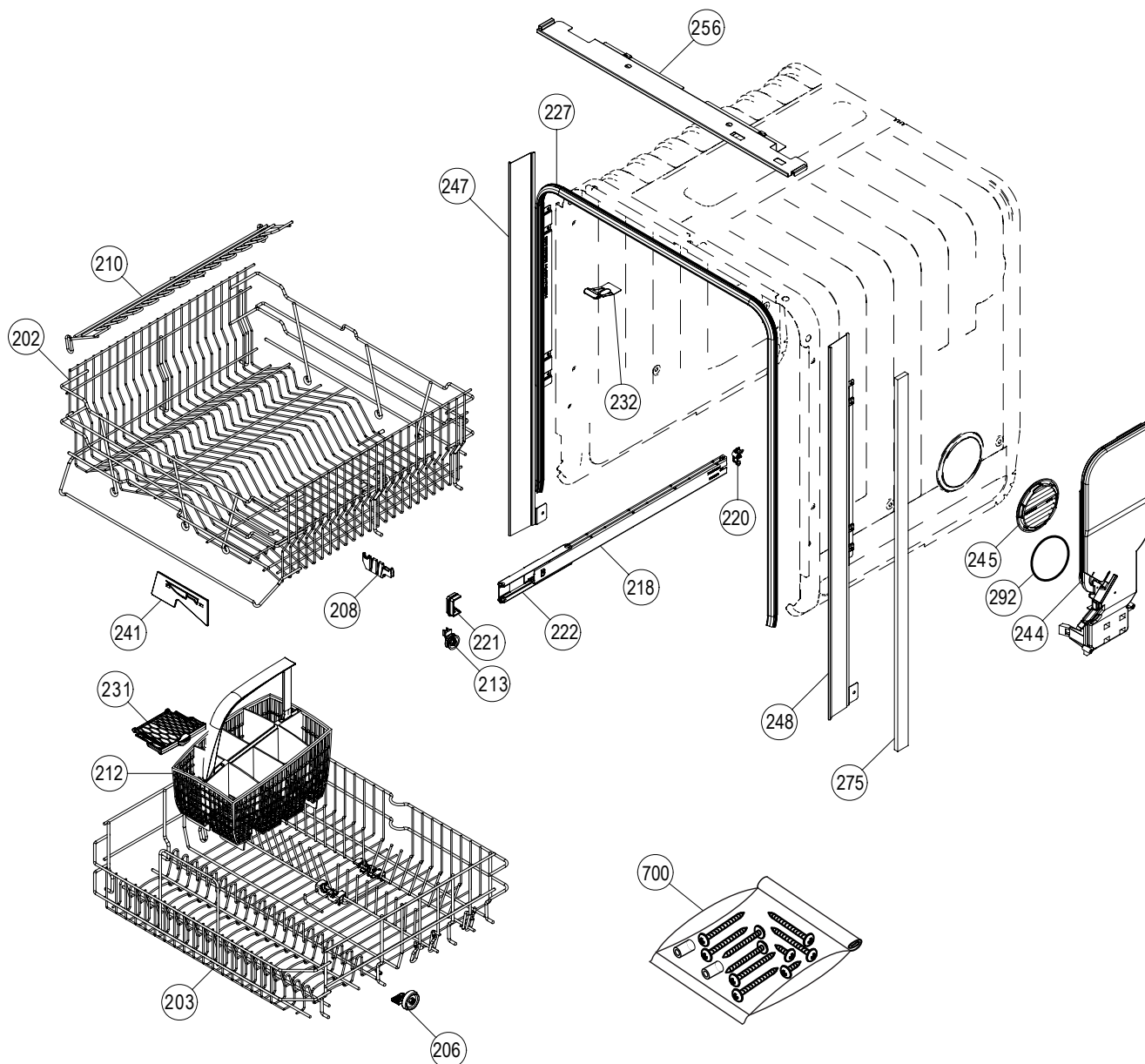


Item	Part #	Description
<b>501</b>	105263	DOOR INNER W.FAN
<b>501-b</b>	105229	SCREW A2 MKFT 5 x 10
<b>502</b>	105822	FAN COMPL. 120 V 60 Hz
<b>502-a</b>	105244	O-RING 83 x 3 NBR70
<b>502-b</b>	105245	KIT WITH NEW WAX MOTOR
<b>502-c</b>	105228	SCREW PT KB 40 X 10
<b>504</b>	105823	COMBI DISP
<b>505</b>	105824	HINGE RIGHT
<b>506</b>	105825	HINGE LEFT
<b>507</b>	105110	HINGE SCREW
<b>507-a</b>	105100	NUT M4 (LOCKING)
<b>508</b>	105248	WASHER HINGE BEARING
<b>509</b>	105249	AIR CHANNEL
<b>510</b>	105118	DOOR SEAL LOWER CORNER GUARD
<b>511</b>	105300	DOOR OUTER*

\* Dacor logo (item 512) not included

Item	Part #	Description
<b>511-a</b>	105225	SCREW A4 RTS 4.2 x 13 T20 Sort.
<b>512</b>	72510CH	LOGO, DACOR
<b>522</b>	105253	LOCKING RING 2 FAN HOUSE
<b>522-a</b>	105228	SCREW PT KB 40 x 10 RFS
<b>523</b>	105116	BRACE 86 cm
<b>523-a</b>	105231	SCREW RTS 4.2 x 13 T20 Sort.
<b>523-b</b>	105225	SCREW A4 RTS 4.2 x 13 T20 Sort.
<b>524</b>	105261	AIR NOZZLE THIN DOOR
<b>526</b>	105256	COVER PLATE FAN WITH SYMBOL
<b>526-a</b>	105228	SCREW PT KB 40 x 10 RFS
<b>529</b>	105155	BRACKET FOR HARNESS
<b>538</b>	105826	INSULATION
<b>542</b>	105257	COVER, CABLES
<b>554</b>	105260	SPACER FAN MOTOR-OUTER DOOR
<b>563</b>	ADWE24HCH	HANDLE, EPICURE
	ARDWM24H	HANDLE, MILLENNIA

# RDW24S Upper Chassis/Wash Compartment

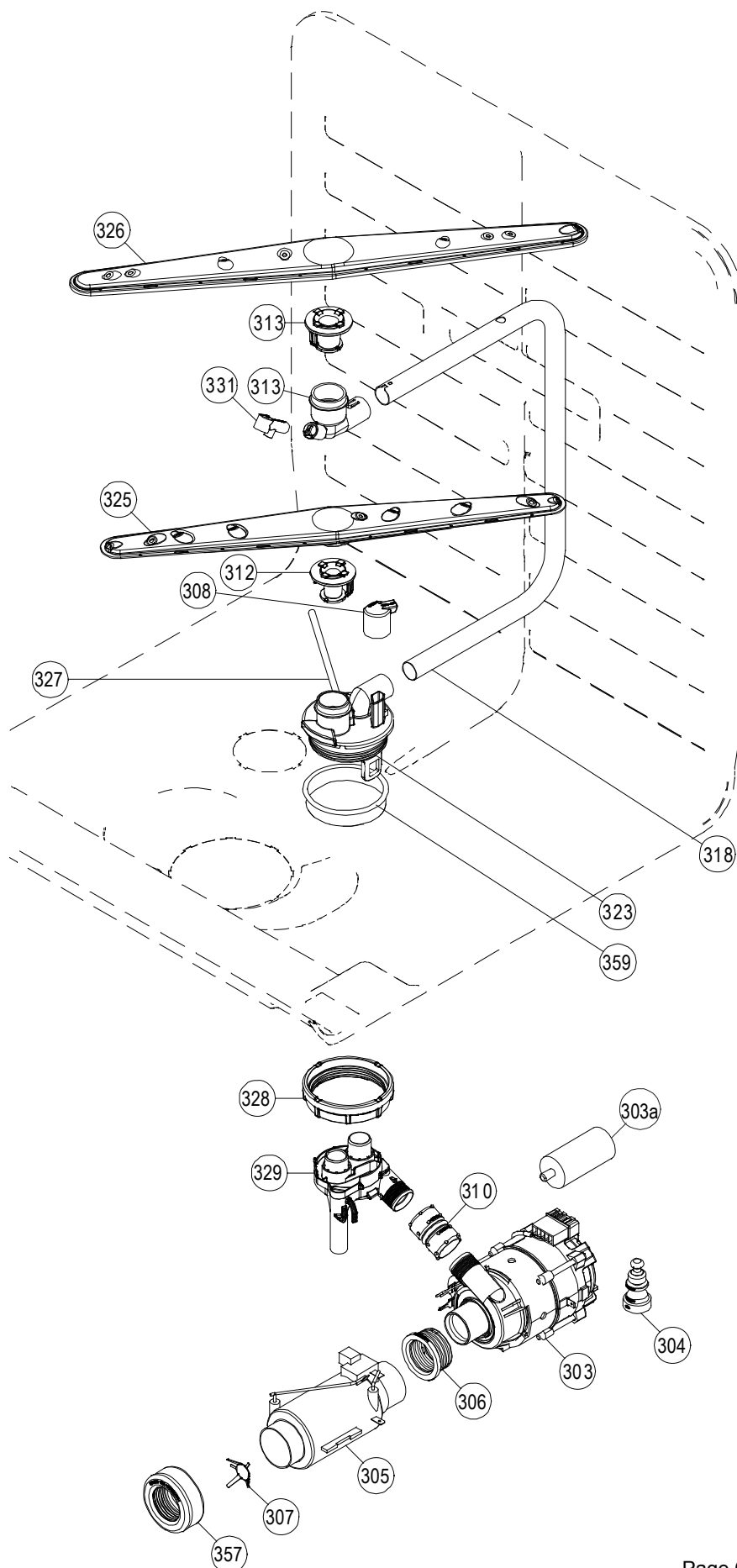


Item	Part #	Description
202	105222	UPPER BASKET STD COMPLETE
203	105112	LOWER BASKET STD COMPLETE
206	105184	WHEEL FOR LOWER BASKET
208	105120	HOLDER, CARVING KNIVES
210	105122	WINE GLASS SHELF, ADJUSTABLE
212	105215	CUTLERY BASKET
213	105117	BASKET WHEEL COMPLETE
218	105107	KIT, GUIDE RAIL, COMPLETE
220	105114	BALL CATCH GREY COMPLETE
221	105209	BASKET STOP
222	105217	KIT BALL HOLDER INCLUDING BALLS
227	105108	DOOR STRIP

Item	Part #	Description
231	105183	DOOR CUTLERY BASKET
232	105265	LOCK HITCH
232-a	105266	LOCK WASHER
232-b	105267	SCREW M4 x 8
241	105109	KNIFE STOP PLATE
244	105182	AIR BREAK STD.
245	105179	LOCK RING AIR BREAKER
247	105156	TRIM STRIP LEFT
248	105157	TRIM STRIP RIGHT
256	105158	TRIM RAIL LOW
275	105119	SEALING STRIP, TRIM STRIP
292	105270	O-RING
700	105299	MOUNTING HARDWARE

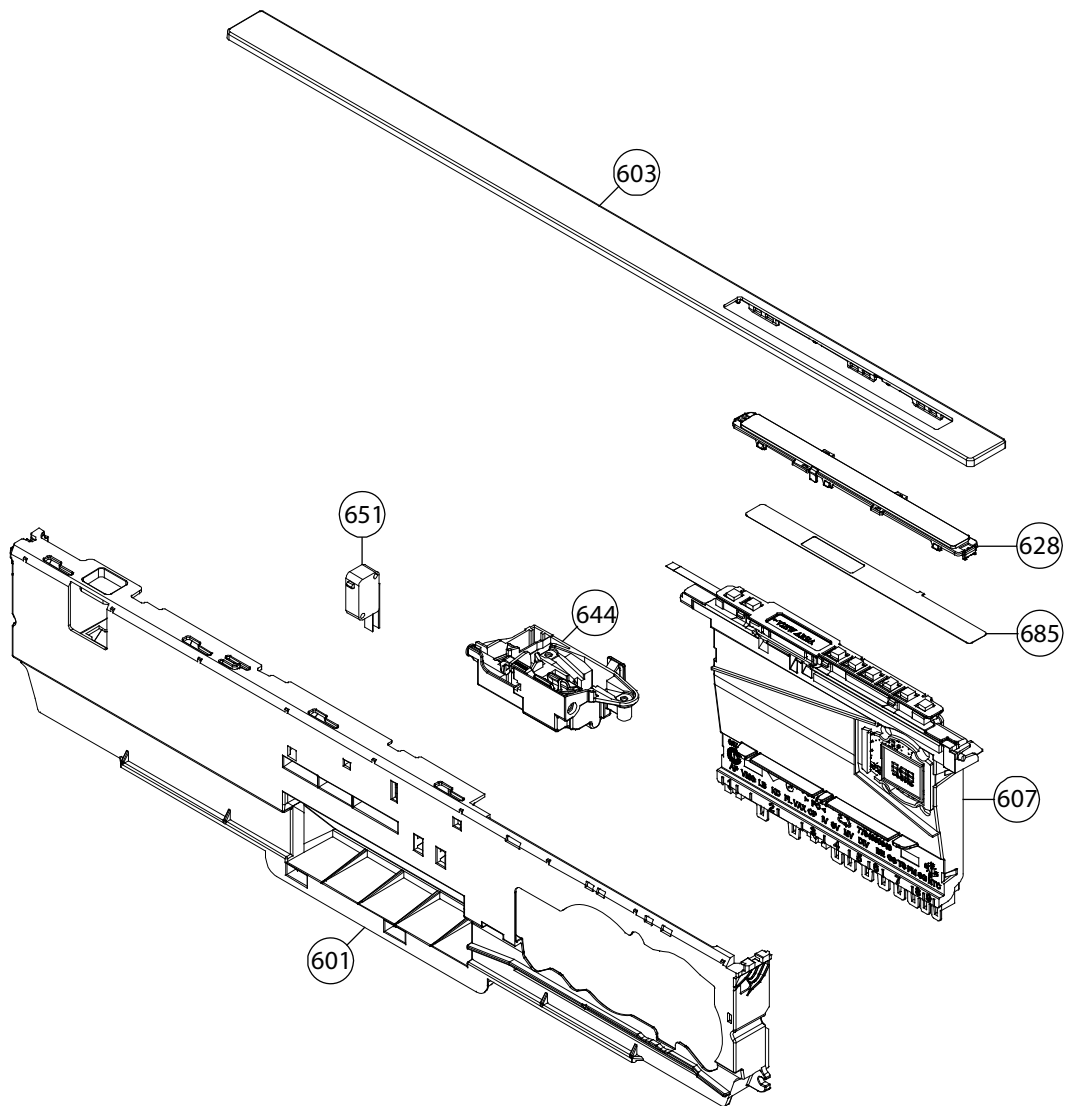


# RDW24S Dishwasher - Wash System



Item	Part #	Description
303	105180	CIRC. PUMP 120 V 60 Hz
303-a	105206	CAPACITOR 7.0 UF 400 V
304	105194	RUBBER DAMPER CIRC. PUMP
305	105829	HEATER WITH INSERT
306	105191	SEALING HEATER
307	105192	INSERT FOR HEATER
308	105139	CUP DRAINAGE GREY
310	105221	KIT HOSE INCL .CLAMPS
312	105161	SPRAY ARM BEARING
313	105106	KIT SPRAY ARM BEARING UPPER
318	105140	SPRAY PIPE
323	105161	KIT SPRAY ARM BEAR
325	105131	SPRAY ARM LOWER COMPLETE
326	105132	SPRAY ARM UPPER COMPLETE
327	105275	TUBE POT RINSE
327-a	105228	SCREW PT KB 40 X 10
328	105123	LOCK RING SPRAY TOWER
329	105177	WATER FLOW CHANNEL
331	105276	SPRAY NOZZLE
357	105204	SEALING HEATER BOTTOM SUMP
359	105268	O-RING 69.5 X 3

# RDW24S Dishwasher - Control Panel



Item	Part #	Description
<b>601</b>	105832	PANEL DOOR
<b>602</b>	105833	PROG INFO LABEL DACOR*
<b>603</b>	105834	LENS DACOR
<b>607</b>	105835	CONTROL UNIT, COMPLETE
<b>610</b>	105281	CABLE SET THERMISTOR*
<b>614</b>	105175	CABLE SET CIRC PUMP IN VALVE*
<b>616</b>	105174	CABLE SET FLOW AND PRESSURE*
<b>618</b>	105836	CABLE SET POWER TOUCH*
<b>620</b>	105837	CABLE SET DOOR FAN-REED*
<b>622</b>	105172	CABLE SET DRAIN*
<b>628</b>	105838	TOUCH LENS
<b>644</b>	105284	LOCK COMPLETE INTEGRATED
<b>644-a</b>	105228	SCREW PT KB40 X 10
<b>651</b>	105148	MICROSWITCH DOOR
<b>685</b>	105839	DACOR LENS INSERT

\* Not shown