

The Dacor logo is rendered in a bold, italicized, sans-serif font with a metallic, 3D effect. The letters are dark with a lighter, reflective highlight on the top and left sides, giving it a sleek, modern appearance. A registered trademark symbol (®) is located at the end of the word.

dacor®

The Life of the Kitchen.®

A photograph of a white Dacor warming oven is shown in a kitchen setting. The oven is the central focus, with a white bowl on top. The background is slightly blurred, showing a countertop with various kitchen items like a fruit basket and a coffee maker. The text 'PARTS CATALOG' is overlaid on the oven in a large, bold, sans-serif font.

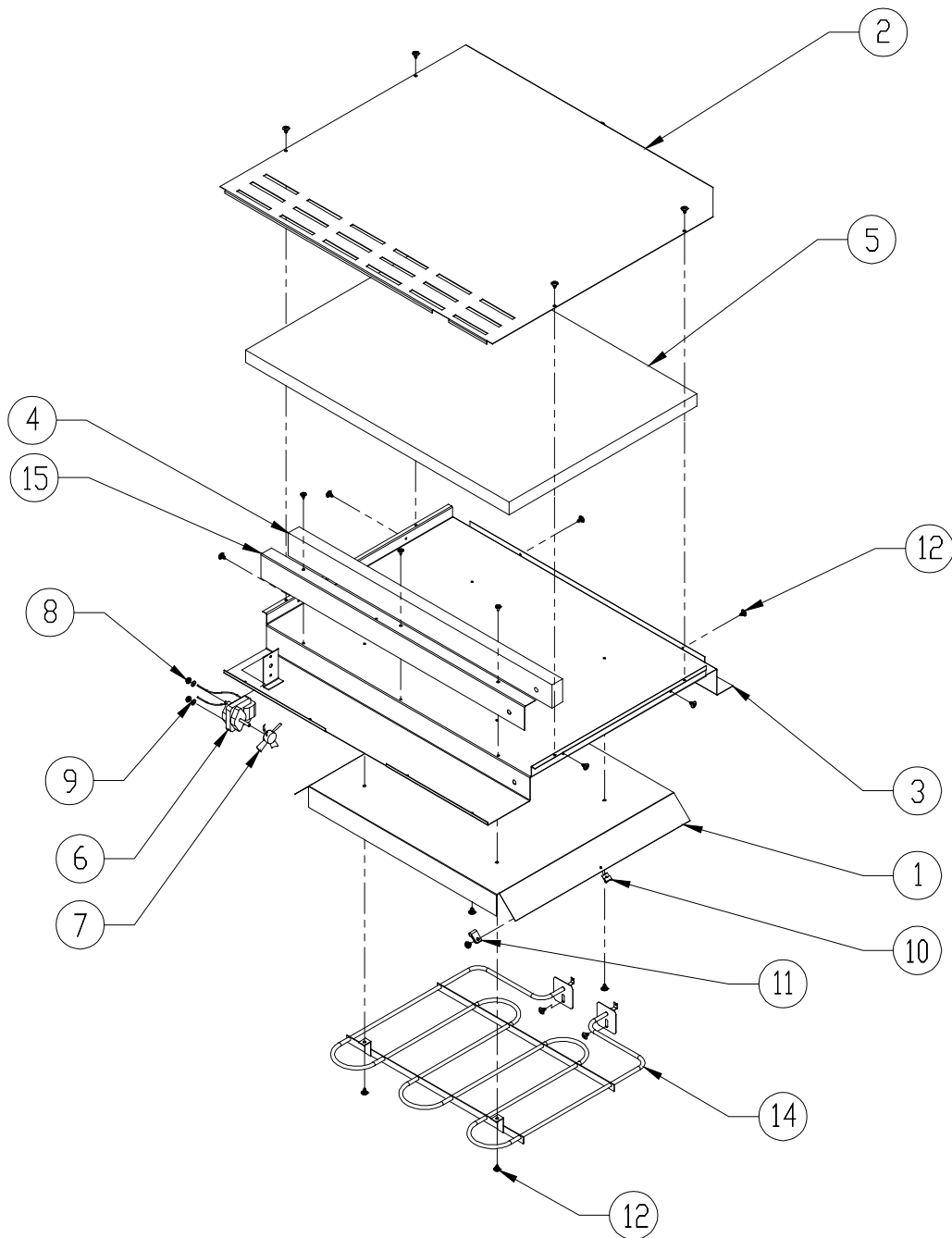
PARTS CATALOG

PW27, PW30 Warming Oven

Page #	Description
2	Top Can Assembly
3	Cabinet Assembly
4	Front Frame Assembly
5	Drawer Assembly

Revised 06-29-2012

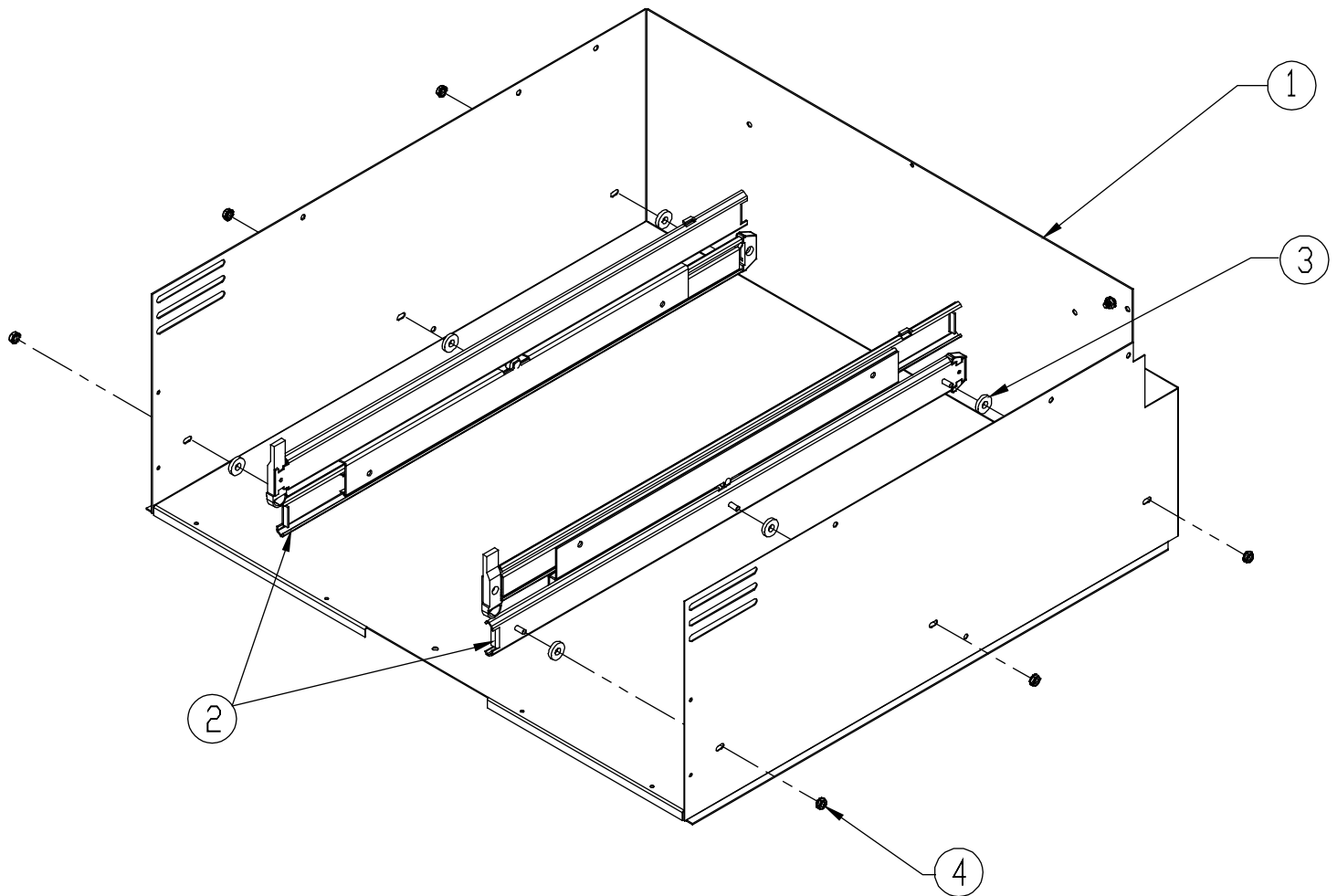
PW Warming Oven Top Can Assembly



Item	Part #	Description
1	26668	Reflector
2	26671	Top Cover
3	27222	Assy, Top Can
4	82627	Control Insulation
5	82626	Top Insulation
6	92324	Motor, W/O, 120 VAC
7	92325	Fan Blade

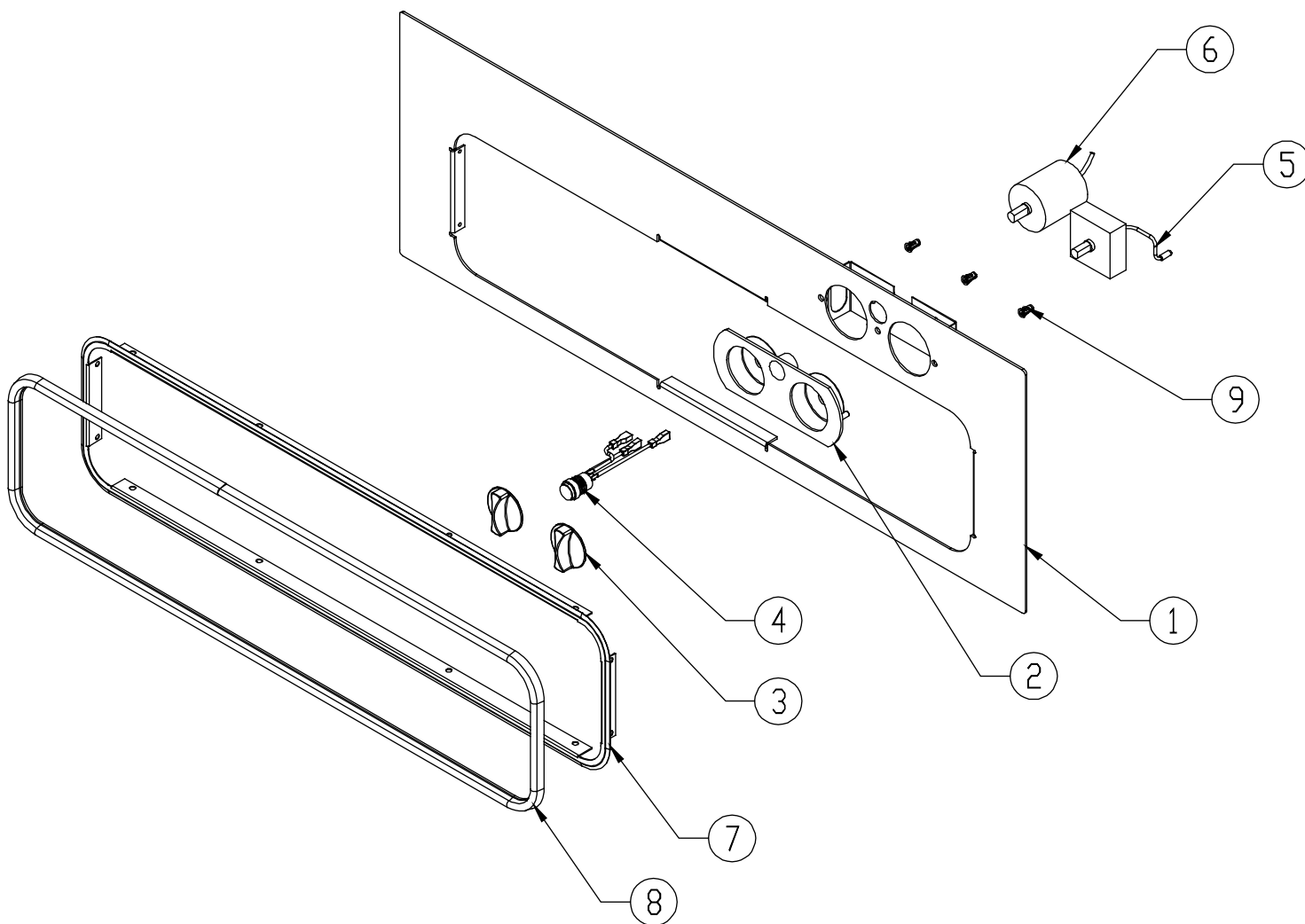
Item	Part #	Description
8	83308	Nut, Keps, #6-32
9	83272	Washer, STL, Zinc
10	83436	Clip "J" Type
11	83267	Clip, Sensor Bulb
12	83534	Screw, WFR HD, #8 x 3/8"
13	83402	Screw, Phil HD, #8 x 3/8"
14	82351	Heating Element
15	26673	Insulation Cover

PW Warming Oven Cabinet Assembly



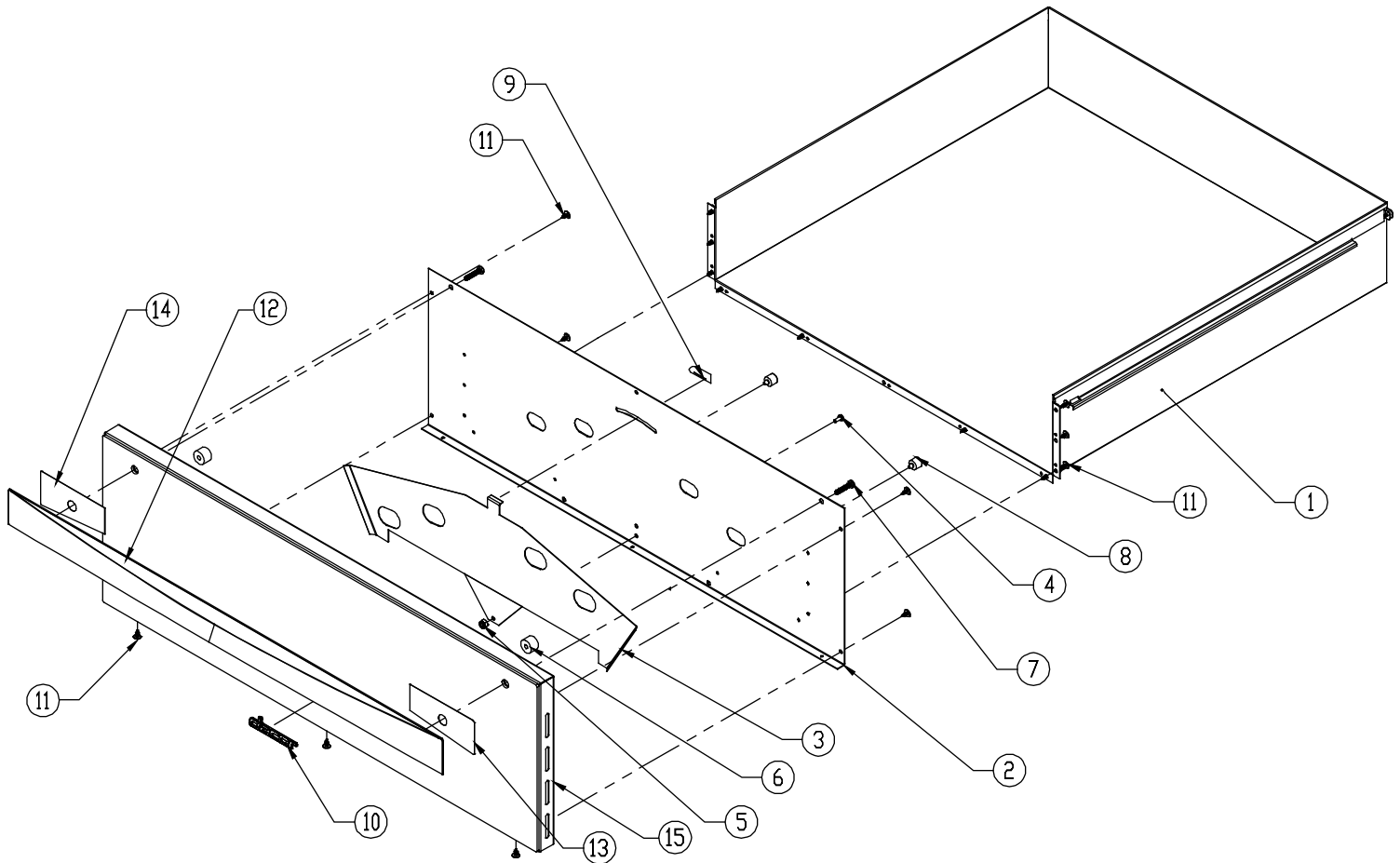
Item	Part #	Description
1	27204	Assy, Cabinet
2	72737	Slide Rail Set, LH/RH
3	83555	Washer, Fiber w/ Adh. 1-Side
4	83048	Nut, Hex Keps, #8-32

PW Warming Oven Front Frame Assembly



Item	Part # 27"	Part # 30"	Description
1	N/A	27142B	Assy, Front Frame, 30"
1	27216B	N/A	Assy, Front Frame, 27"
2	62786B	62786B	Bezel, Warming Ovens
3	82267B	82267B	Control Knob
4	72880	72880	Switch, Snorkel
5	62734	62734	Temp Controller
6	72889	72889	Timer
7	26681	26681	Gasket Retaining Trim
8	82280B	82280B	Gasket
9	83266	83266	Tubular Fastener

PW Warming Oven Drawer Assembly



Item	Part # 27"	Part # 30"	Description
1	701213	701213	Assy, Drawer Wrap, Service
2	46138E	46141E	Drawer Front
3	36454	36454	Moist/Crisp Slide
4	83358	83358	Screw, Pan HD, #8-32 x 3/8"
5	83447	83447	Nut, Nylon, #10-24
6	92126	92126	Door Spacer
7	83692	83692	Screw, Pan HD, #10-32 x 1"
8	83578	83578	Rubber Bumper, Snap-In
9	82415B	82415B	Knob, Damper - Black
10	72510CH	72510CH	Dacor Logo, 3"
11	83263	83263	Screw, Phil HD, #8 x 3/8"
12	72936GR	72938GR	Handle, Door
13	92010L	92010L	Door Handle Spacer, LH
14	92010R	92010R	Door Handle SPacer, RH
15	701227-01*	701226-01*	Assy, Drawer Glass, Frame, AG*
15	701227-02*	701226-02*	Assy, Drawer Glass, Frame, BK*
15	701227-03*	701226-03*	Assy, Drawer Glass, Frame, BU*
15	701227-04*	701226-04*	Assy, Drawer Glass, Frame, GN*
15	701227-05*	701226-05*	Assy, Drawer Glass, Frame, SG*
15	701227-06*	701226-06*	Assy, Drawer Glass, Frame, TS*

*Includes door skin with glass installed.