

The Dacor logo is written in a bold, italicized, sans-serif font. The letters are black and have a slight shadow effect. A registered trademark symbol (®) is located at the end of the word.

dacor®

Family-Owned. American-Made.

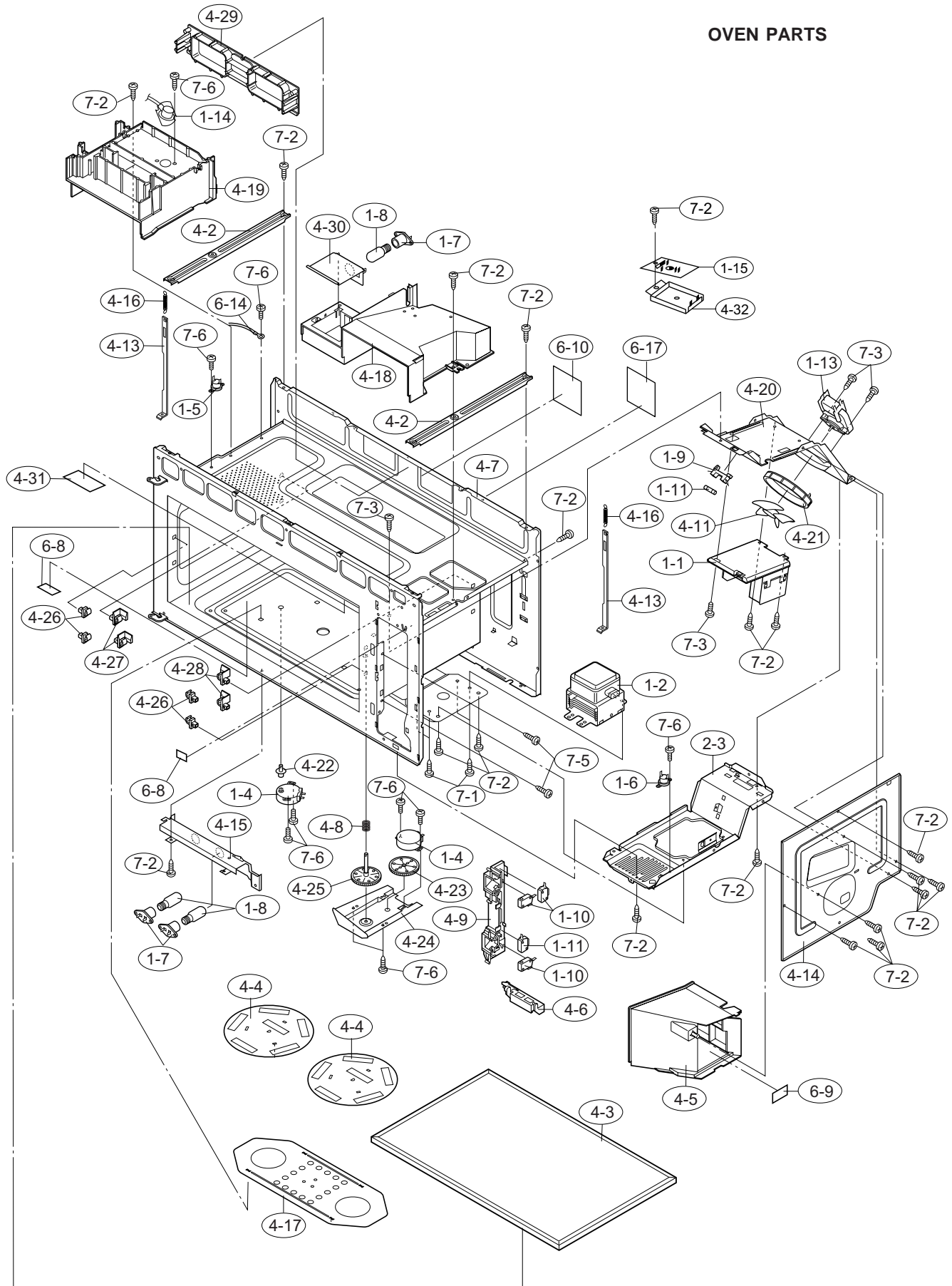
The background of the top half of the page is a faded, grayscale image of a kitchen. It features a stainless steel range with a gas cooktop and an oven below. On the counter, there are various kitchen items including a bowl, a pot, and some bottles. The text 'PARTS CATALOG' is overlaid in large, bold, 3D-style letters.

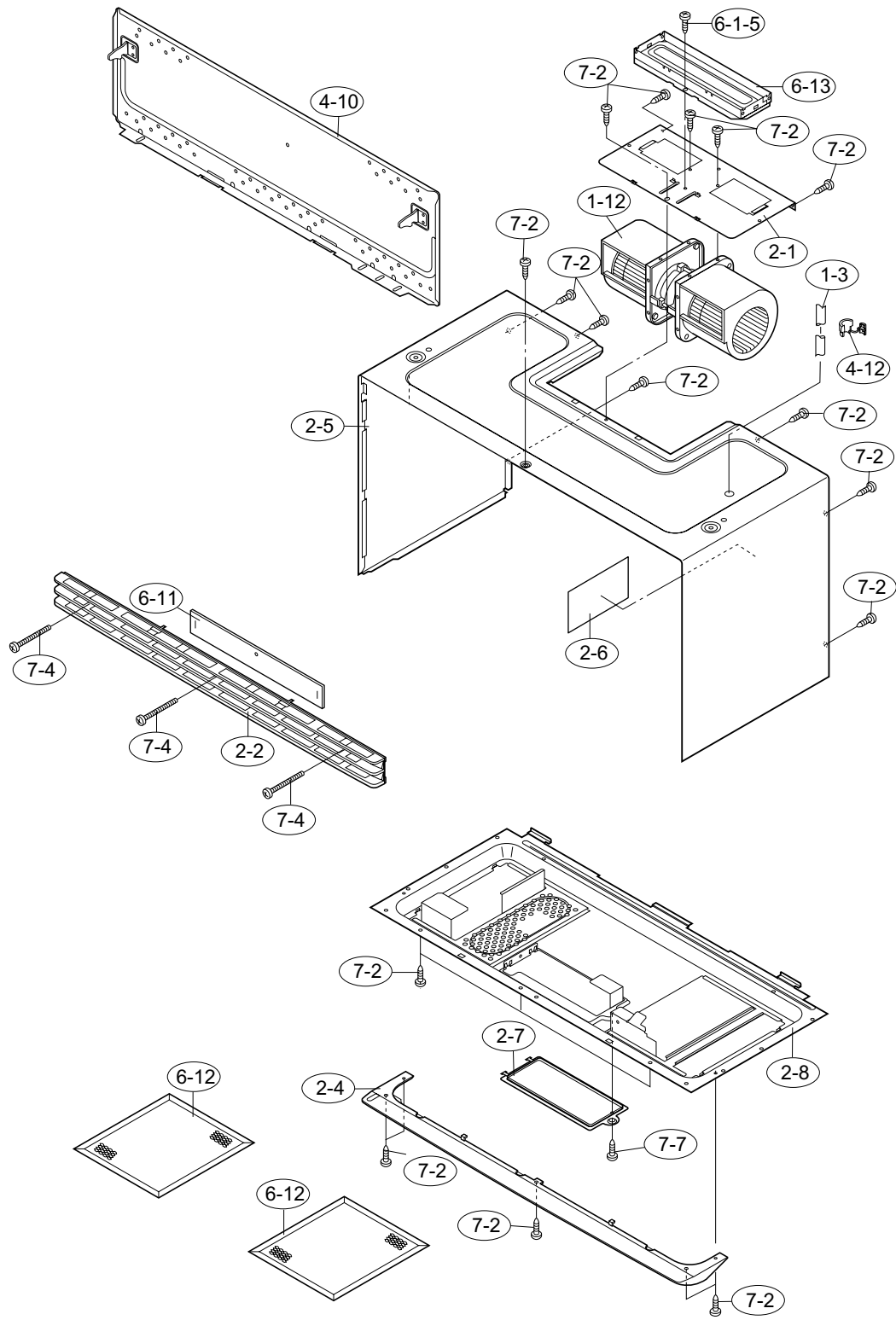
**PARTS
CATALOG**

PMOR3021 Microwave

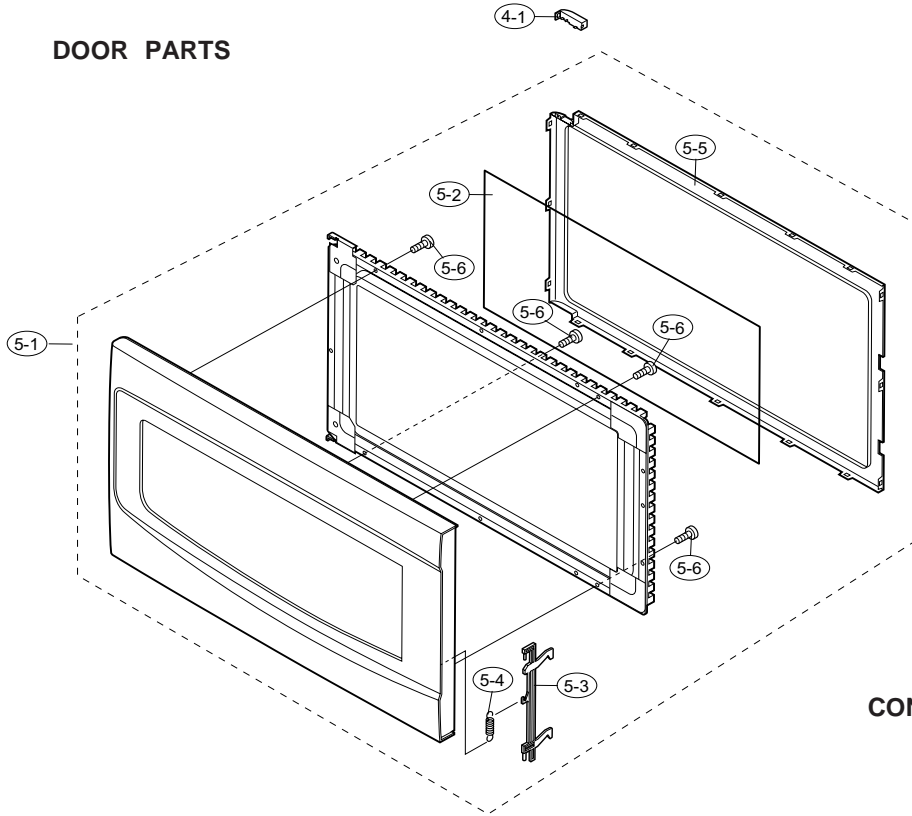
Exploded View	Door/Control Panel	Packing
Oven Parts	Complete Parts List	

OVEN PARTS

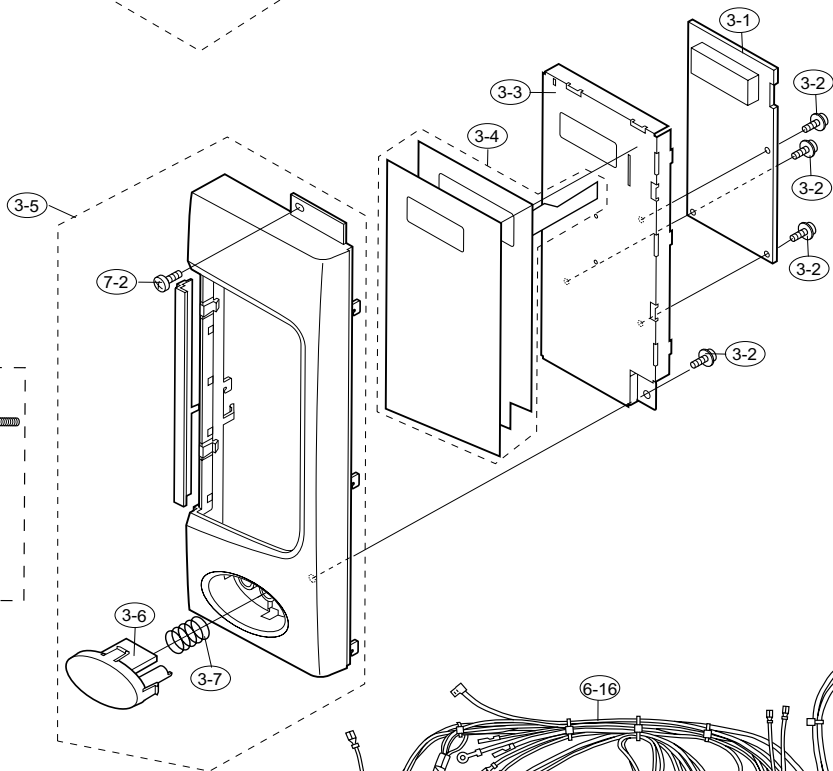




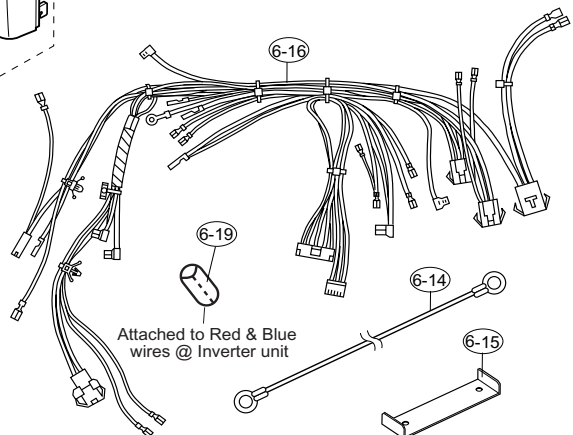
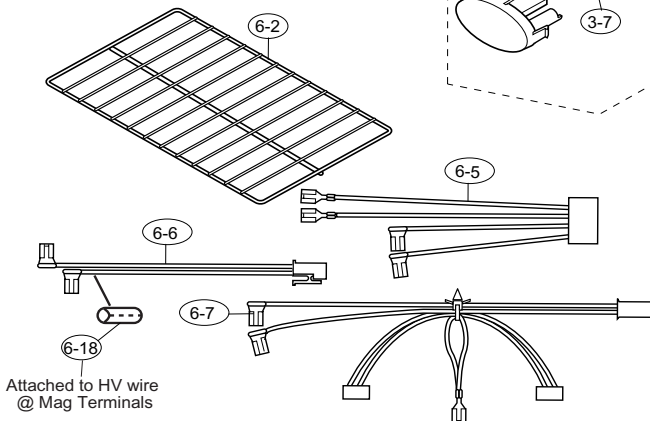
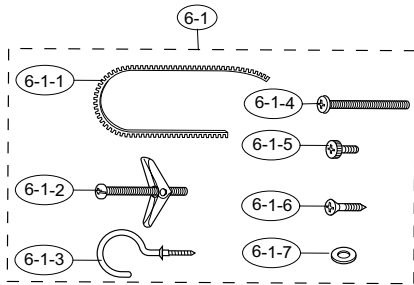
DOOR PARTS

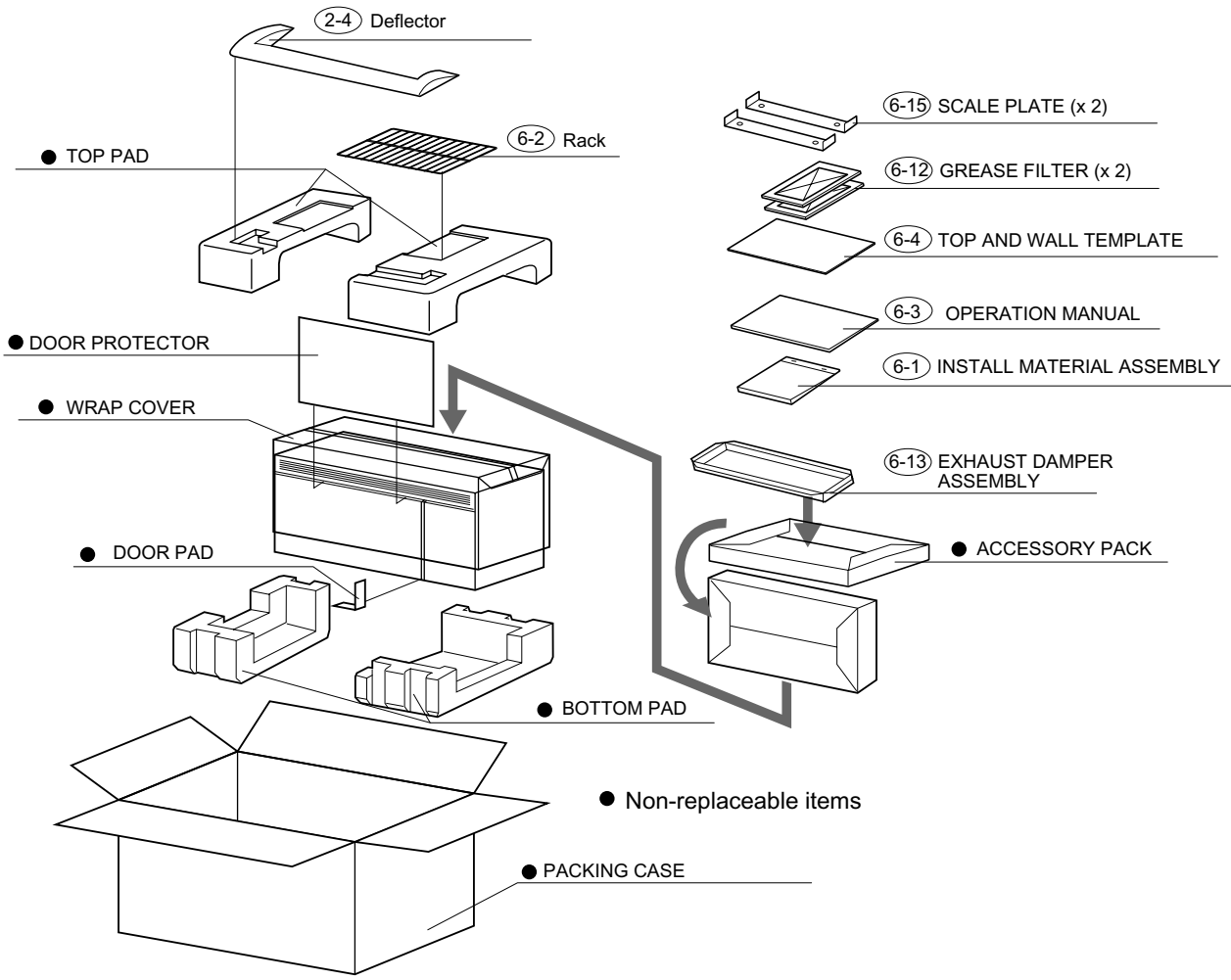


CONTROL PANEL PARTS



MISCELLANEOUS





PMOR3021 Parts List

REF. NO.	DESCRIPTION
<u>ELECTRIC PARTS</u>	
1- 1	76227 Inverter unit
1- 2	76228 Magnetron
1- 3	66171 Power supply cord
1- 4	76229 Stirrer motor
1- 5	76230 Thermal cut-out (Oven) Open at 145°C
1- 6	76231 Thermal cut-out (Hood fan) N.O. Close at 60°C Open at 45°C
1- 7	76232 Lamp socket
1- 8	76233 Oven lamp and hood lamps
1- 9	86796 Fuse holder
1-10	66236 Primary interlock/ Secondary interlock/ stop switches
1-11	66179 Monitor switch (V-16G-2C25) with fuse (20A) assembly
1-12	76234 Hood fan motor
1-13	76235 Fan motor
1-14	76236 Humidity sensor
1-15	76242 Noise Filter
<u>CABINET PARTS</u>	
2- 1	76146 Rear stay
2- 2	76147 Hood louver [PMOR3021S] [PMOR3021B]
2- 2	76148 Hood louver [PMOR3021R]
2- 3	76149 Base plate R
2- 4	66607B Bottom sash [PMOR3021S] [PMOR3021B]
2- 4	66607R Bottom sash [PMOR3021R]
2- 5	76152 Outer case cabinet [PMOR3021S] [PMOR3021B]
2- 5	76153 Outer case cabinet [PMOR3021R]
2- 6	76154 Schematic diagram
2- 7	76155 Hood lamp glass assembly [PMOR3021S] [PMOR3021B]
2- 7	76156 Hood lamp glass assembly [PMOR3021R]
2- 8	76157 Base cover [PMOR3021S] [PMOR3021B]
2- 8	76158 Base cover [PMOR3021R]
<u>CONTROL PANEL PARTS</u>	
3- 1	76159 Control unit
3- 2	76160 Screw; 3mm x 8mm
3- 3	76161 Key fixing angle
3- 4	76162 Key sheet assy [PMOR3021S] [PMOR3021B]
3- 4	76163 Key sheet assy [PMOR3021R]
3- 5	76164 Control panel frame assy [PMOR3021S]
3- 5	76165 Control panel frame assy [PMOR3021B]
3- 5	76166 Control panel frame assy [PMOR3021R]
3- 6	76167 Open button [PMOR3021S]
3- 6	76168 Open button [PMOR3021B]
3- 6	76169 Open button [PMOR3021R]
3- 7	76170 Button spring

PMOR3021 Parts List

Oven Parts		
Ref #	Part #	Description
4-1	76171	Door Stopper
4-2	76172	Chassis Support
4-3	76173	Table Tray Assembly
4-4	76174	Stirrer Fan Assembly
4-5	76175	Magnetron Duct
4-6	86824	Open Lever
4-7	N/A	Oven Cavity (Not Replaceable Part)
4-8	76177	Shield Spring
4-9	66871	Latch Hook
4-10	76179*	Unit Mounting Plate Assembly*
4-11	76180	Fan Blade
4-12	66196	Cord Bushing
4-13	76473	Mounting Lever
4-14	76182	Hood Intake Duct R
4-15	76183	Hood Lamp Mount
4-16	86786	Latch Spring
4-17	76474	Distribution Plate Assembly
4-18	76185	Hood Duct R
4-19	76186	Hood Duct L
4-20	76187	Fan Duct
4-21	76188	Orifice
4-22	76189	Left Stirrer Shaft
4-23	76190	Stirrer Motor Gear
4-24	76191	Motor Mounting Angle
4-25	76192	Stirrer Shaft Assembly
4-26	76193	Rack Holder
4-27	76194	Left Rear Rack Holder
4-28	76195	Right Rear Rack Holder
4-29	76196	Center Duct
4-30	76197	Oven Lamp Angle
4-31	66227	Lamp Filter
4-32	100894	Unit Angle
<p>*Use P/N 76179 for models with numerical S/N. Use P/N 105301 for models which S/N starts with X-B.</p>		

Door Parts		
Ref #	Part #	Description
5-1	76475	Door Assembly PMOR3021S
5-1	76199	Door Assembly PMOR3021B
5-1	76200	Door Assembly PMOR3021R
5-2	76201	Sealer Film
5-3	86785	Latch Head
5-4	86786	Latch Spring
5-5	76476	Choke Cover
5-6	66261	Screw, 4mm x 8mm

PMOR3021 Parts List

REF. NO.	DESCRIPTION	
<u>MISCELLANEOUS</u>		
6- 4	76477	Top and Wall template
6- 5	76205	Oven lamp harness
6- 7	76206	Stop/ PWM wire harness
6-1	76207	Installation material assembly
6-10	76208	DHHS/GRD/CAUTION label
6-11	76209	Charcoal filter
6-1-1	66197	Grommet
6-12	76211	Grease filter
6-1-2	66204	Toggle screw
6-13	66180	Exhaust damper assembly
6-1-3	66209	Cord holder
6-14	76214	Sensor ground wire
6-1-4	66257	Screw : 5mm x 60mm
6-15	76215	Scale plate
6-1-5	86905	Screw : 4mm x 12mm
6-16	76216	Main wire harness
6-1-6	66267	Screw : 5mm x 35mm
6-1-7	66268	Washer
6-2	76217	Rack
6-3	76218	Operation manual
6-6	76219	High voltage wire assembly
6-8	76220	DHHS service caution label
6-9	76221	Monitor caution label
6-17	76239	NWH Caution
6-18	76240	Harness Ferrite
6-19	76241	Harness Ferrite
SCREWS,NUTS AND WASHERS		
7- 5	86820	Special screw
7-1	76223	Screw : 5mm x 8mm
7-2	86905	Screw : 4mm x 12mm
7-3	86901	Screw : 4mm x 8mm
7-4	76225	Special screw [PMOR3021R]
7-4	76226	Special screw [PMOR3021S] [PMOR3021B]
7-6	86847	Screw : 3mm x 8mm
7-7	66847	Screw : 4mm