



The Life of the Kitchen.®

# PARTS CATALOG

## PGM365 Cooktop

**IMPORTANT:** PGM series cooktops that do not have a “-1” at the end of the model number may have some parts that are **No Longer Available (NLA)**. If the part you need is no longer available, please contact Dacor for a possible solution. For model numbers that end with a “-1”, please see the PGM-1 parts section on [www.dacorservice.com/partscatalog](http://www.dacorservice.com/partscatalog) .

### DACOR CARES PROGRAM NLA Part Locator Service

**Customer Contact Number:**

(800) 793-0093 ex. 2813  
Hours: 6:00 AM - 5:00 PM Pacific Time

**Service Agent/Technician Contact Number:**

(800) 793-0093 ex. 3814  
Hours: 7:00 AM - 4:00 PM Pacific Time

**Web Inquiries:** [www.dacor.com/dacorcares](http://www.dacor.com/dacorcares)    **Email Inquiries:** [dacorcares@dacor.com](mailto:dacorcares@dacor.com)

Please provide the following information:

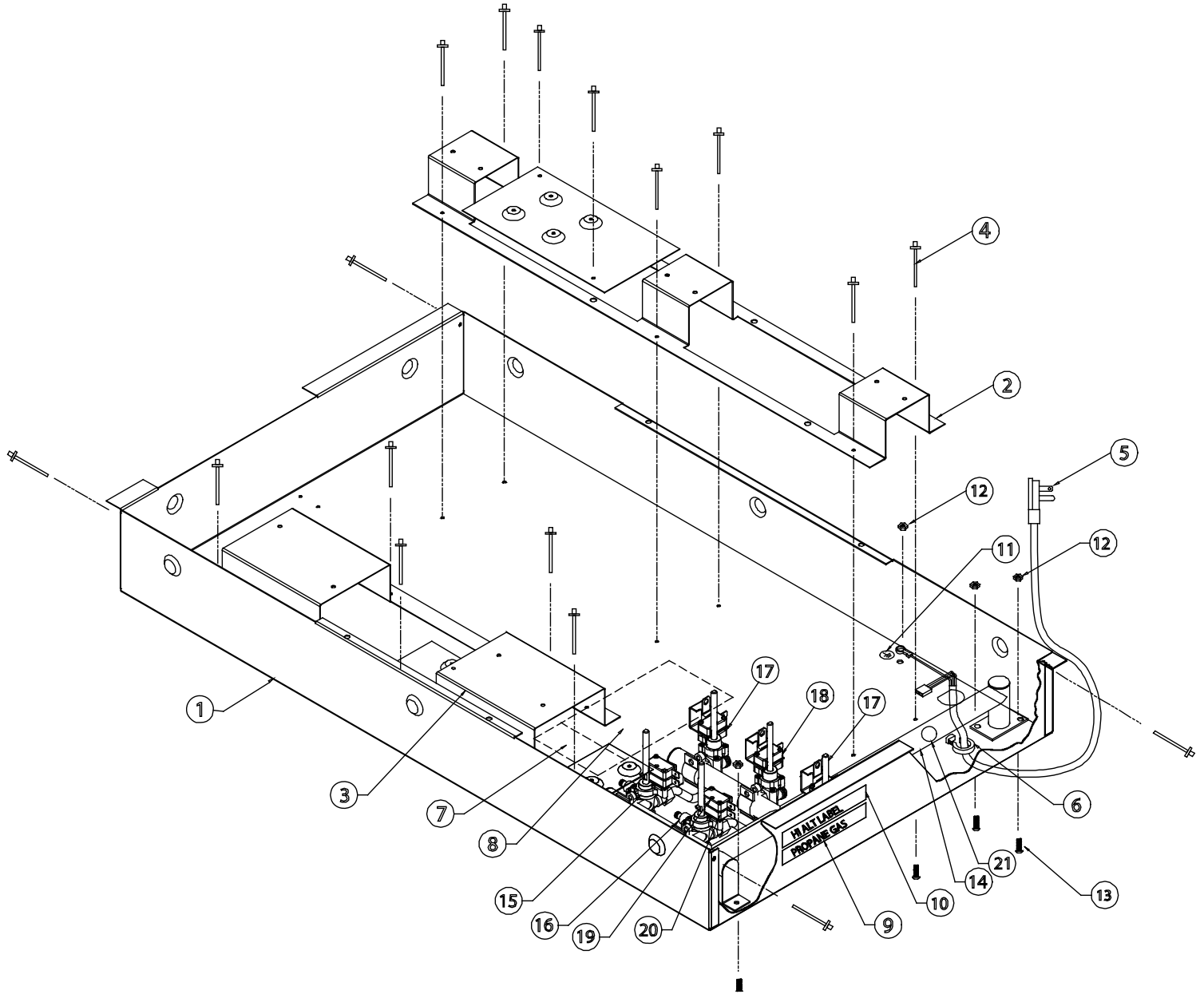
- Your name and phone number
- Product model number
- Product serial number
- The part number(s) you need

Page #	Description
2-3	Chassis Assembly*
4	Burner Tubes*
5-6	Top Frame Assembly
7	Wiring and Lights

\* **IMPORTANT:** This model is not approved for field conversions from one gas type to another and from one altitude setting to another.

Revised 02-12-2015

# PGM365 Chassis Assembly

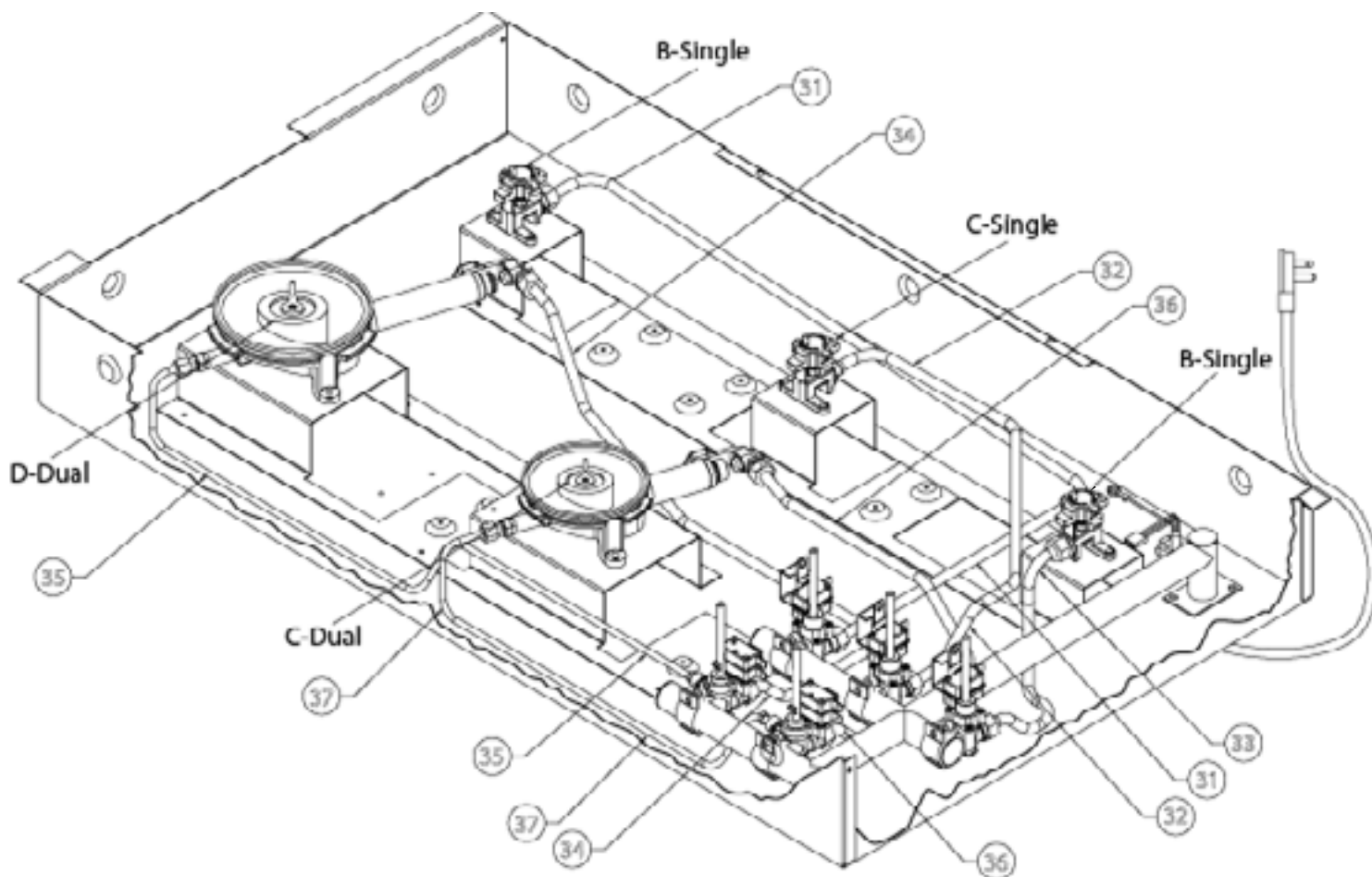


# PGM365 Chassis Assembly

Item	Part # NG	Part # NGH	Part # LP	Part # LPH	Description
1	N/A	N/A	N/A	N/A	Chassis Box
2	N/A	N/A	N/A	N/A	Single Burner Support Channel
3	N/A	N/A	N/A	N/A	Dual Burner Support Channel
4	N/A	N/A	N/A	N/A	Rivet
5	72765	72765	72765	72765	Power Supply Cord
6	83141	83141	83141	83141	Bushing
7	N/A	N/A	N/A	N/A	UL Label
8	N/A	N/A	N/A	N/A	Regulator Label
9	N/A	N/A	N/A	N/A	Red Label (LP GAS ONLY)
10	N/A	N/A	N/A	N/A	Hi Alt ID (HI ALT ONLY)
11	N/A	N/A	N/A	N/A	Ground Symbol Label
12	83048	83048	83048	83048	Keps Nut
13	83572	83572	83572	83572	Screw, Phil Pan
14	72797NG	72797NGH	72797LP	72797LPH	Manifold Gas Assembly
15	66972NG	66972NGH	66972LP	66972LPH	D-Dual Burner Valve
16	66955NG	66955NGH	66955LP	66955LPH	C-Dual Burner Valve
17	66953NG	66953NGH	66953LP	66953LPH	B-Single Burner Valve
18	66971NG	66971NGH	66971LP	66971LPH	C-Single Burner Valve
19	66986	66986	66986	66986	Microswitch, 2 Pin NO
20	66987	66987	66987	66987	Microswitch, 2 Pin NC
21					Label, Manifold Leakage

**Part no longer available? Call Dacor: (800) 793-0093 ex. 3814**

# PGM365 Burner Tubes

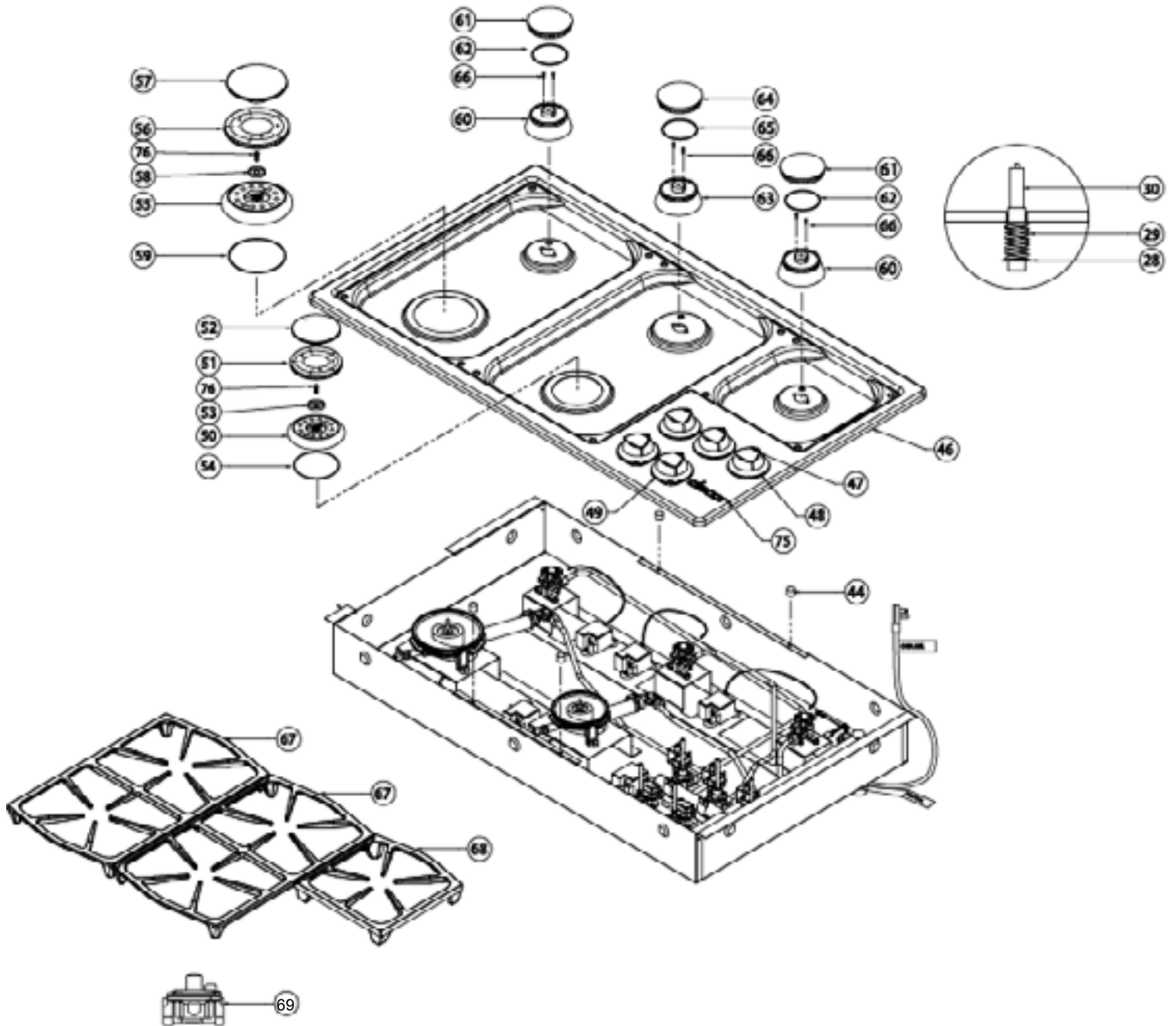


Item	Part #	Description
<b>31</b>	72781	Burner Tube #1
<b>32</b>	72782	Burner Tube #2
<b>33</b>	72783	Burner Tube #3
<b>34</b>	72784	Main - Burner Tube #4
<b>35</b>	72785	Simmer - Burner Tube #3
<b>36</b>	72786	Main - Burner Tube #5
<b>37</b>	72787	Simmer - Burner Tube #5
<b>Dual D-Burner</b>		
	72802NG	Dual D-Burner Base/Jet Holder
	72802NGH	Dual D-Burner Base/Jet Holder
	72802LP	Dual D-Burner Base/Jet Holder
	72802LPH	Dual D-Burner Base/Jet Holder
<b>Dual B-Burner</b>		
	72806NG	Dual B-Burner Base/Jet Holder
	72806NGH	Dual B-Burner Base/Jet Holder
	72806LP	Dual B-Burner Base/Jet Holder
	72806LPH	Dual B-Burner Base/Jet Holder

	Part #	Description
<b>Single C-Burner</b>		
	72809NG	Single-C Burner Base/Jet Holder
	72809NGH	Single-C Burner Base/Jet Holder
	72809LP	Single-C Burner Base/Jet Holder
	72809LPH	Single-C Burner Base/Jet Holder
<b>Dual C-Burner Before SN MC04344416</b>		
	72798NG*	Dual C-Burner Base/Jet Holder
	72798NGH*	Dual C-Burner Base/Jet Holder
	72798LP*	Dual C-Burner Base/Jet Holder
	72798LPH*	Dual C-Burner Base/Jet Holder
<b>Dual C-Burner After SN MC04344416</b>		
	92027NG	Dual C-Burner Base/Jet Holder
	92027NGH	Dual C-Burner Base/Jet Holder
	92027LP	Dual C-Burner Base/Jet Holder
	92027LPH	Dual C-Burner Base/Jet Holder

\* May be replaced with PN 92027. Specify gas type.

# PGM365 Top Frame Assembly



# PGM365 Top Frame Assembly

**IMPORTANT: PGM365 and PGM365-1 porcelain top frames are not interchangeable**

Item	Part #		Description
	for SN before MC043444416	for SN after MC043444416	
28	66960	66960	C-Clip, Burner Assy
29	66976	66976	Spring, Burner Assy
30	66975	66975	Electrode Burner Assy (F-dual burner)
46	66800S/L	66800S/L	Stainless Top Frame
-	NA	46148BP/L, RP/L	Black or Arctic Porcelain Top Frame
47	72731	72731	Knob
48	72741	72741	Spill Protector
49	72742	72742	Spill Protector W/Simmer
50	72799*	92026	Burner Cross Ring, C-Dual
51	72800	72800	Burner Head C-Dual
52	72801	72992	Burner Top Cap C-Dual
53	72917	72990	Inner Base, C-Dual
54	66799	66799	O-Ring C-Dual
55	72803	72803	Burner Cross Ring D-Dual
56	72804	72804	Burner Head D-Dual
57	72805	701835**	Burner Top Cap D-Dual
58	72916	72991	Inner Base, D-Dual
59	66799	66799	O-Ring, D-Dual
60	72807	72807	Burner Base, B-Single
61	72808	72808	Burner Head B-Single
62	66799	66799	Burner O-Ring, B-Single
63	72810	72810	Burner Base C-Single
64	72811	72811	Burner Head, C-Single
66	83672	83672	Torx #6-32 x 3/4
67	72733SB	72733SB	Grate Double, Smooth Black
68	72732SB	72732SB	Grate Single, Smooth Black
69	62834	62834	Regulator NG
	72980	72980	Regulator LP
75	72945CH	72945CH	Dacor, Small Logo
76	72939	72939	Inner Base Screw
-	NA	76139	D-Burner, Graphite Gasket
-	NA	76140	C-Burner, Graphite Gasket
-	66799	66799	O-Ring Kit
-	66958	66958	Igniter Assy Single Burner
-	66916	66916	Set, Grate Support Pads

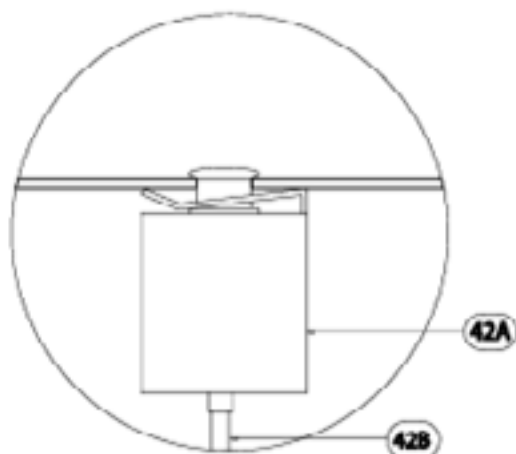
\* May be replaced with PN 92026.

\*\* Must be ordered as kit number 701835. Consists of burner head and cap.

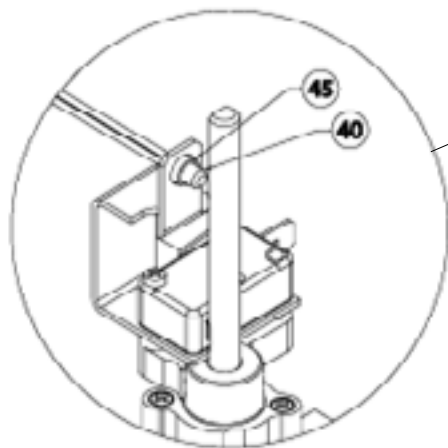
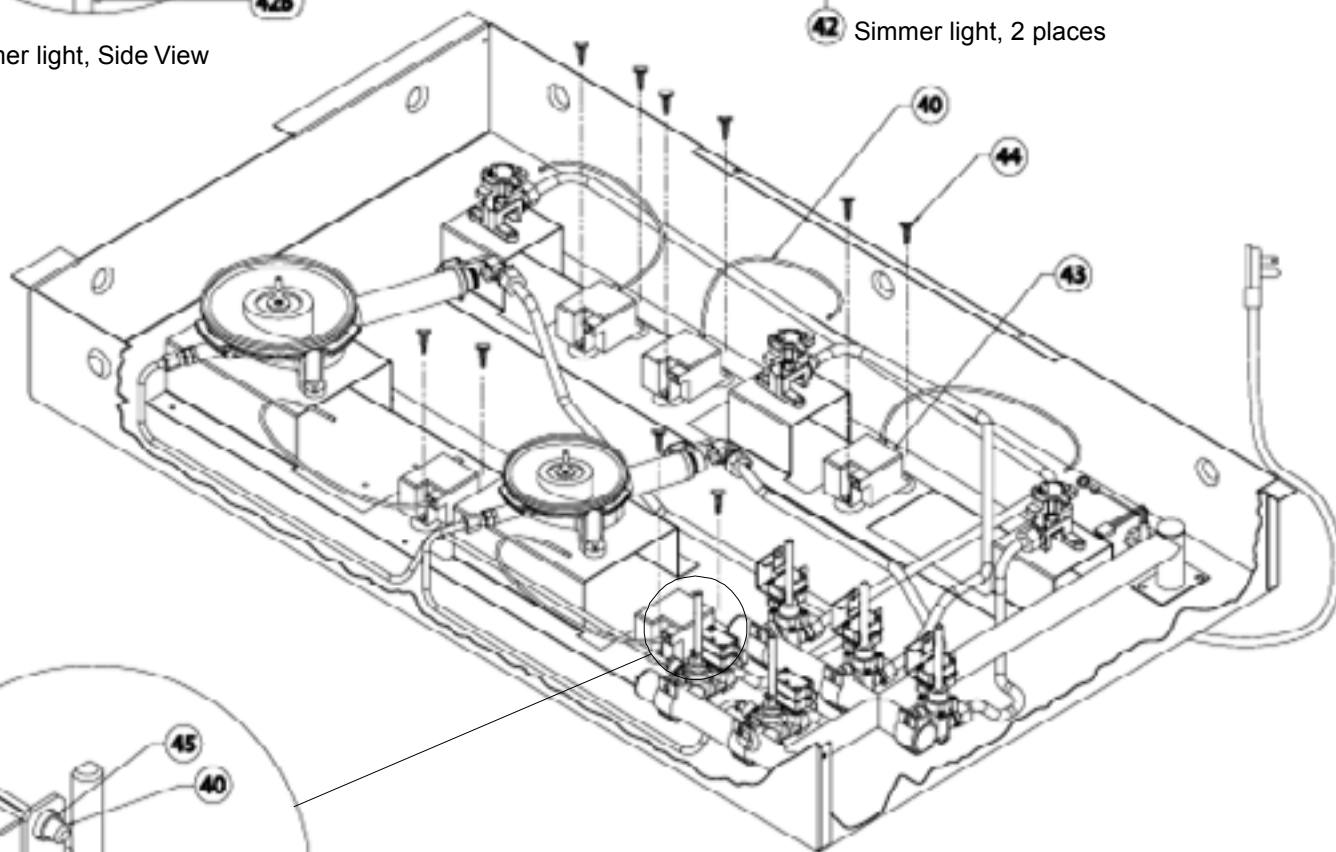
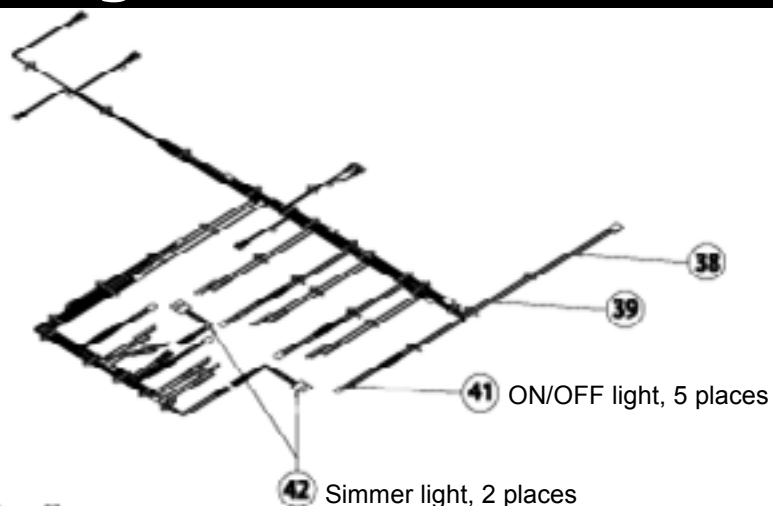
**Part no longer available? Call Dacor: (800) 793-0093 ex. 3814**



# PGM365 Wiring and Lights



Simmer light, Side View



Item	Part #	Description
38	72528	Wire Harness
40	66978	Igniter Wires
41	701615*	Indicator Light Kit (ON/OFF)*
42A	62036	Indicator Light, Simmer
42B	72128	Wire Harness, Indicator Light, Simmer
43	72634	Spark Module
44	83306	Screw, Phil TRS #8 x 3/8
45	72920	Blue LED Light Holder

\* Set of 5. Replace all 5 LEDs at same time to make sure that they match in brightness.