

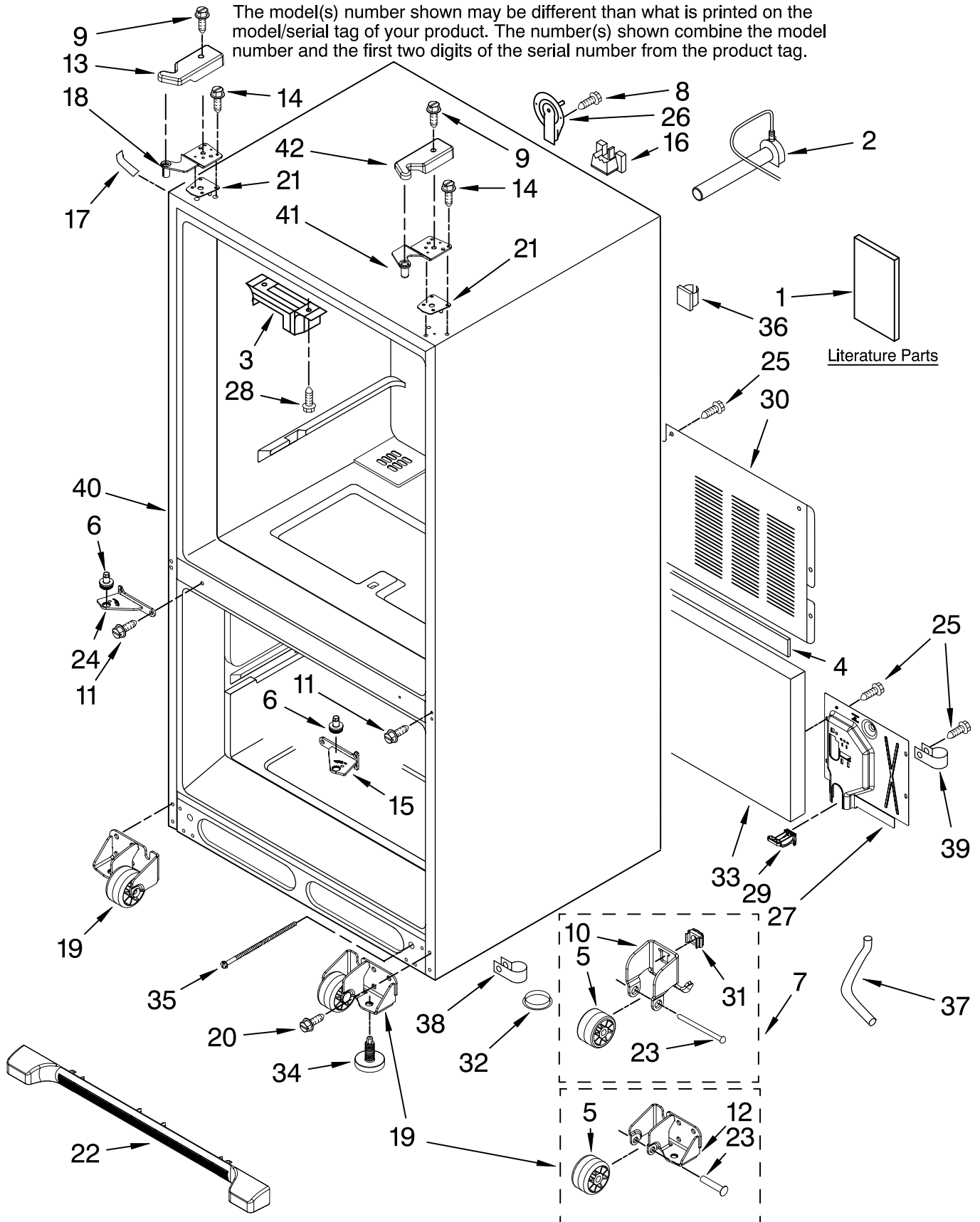
# CABINET PARTS

For Models: PF36BNDFBKPB

(Black)

REFRIGERATOR

The model(s) number shown may be different than what is printed on the model/serial tag of your product. The number(s) shown combine the model number and the first two digits of the serial number from the product tag.



FOR ORDERING INFORMATION REFER TO PARTS PRICE LIST

# CABINET PARTS

For Models: PF36BNDFBKPB

(Black)

The model(s) number shown may be different than what is printed on the model/serial tag of your product. The number(s) shown combine the model number and the first two digits of the serial number from the product tag.

Illus. No.	Part No.	DESCRIPTION	Illus. No.	Part No.	DESCRIPTION	Illus. No.	Part No.	DESCRIPTION
1		Literature Parts	13		Cover, Left Hinge	26	67003331	Cover, Water Line
	67006616	Tech Sheet		67006726	Black	27	67004098	Cover, Water Valve
	W10171467	Owners Manual	14	67006303	Screw (6)	28	67006669	Screw (2)
	W10180419	Guide, Energy	15		Hinge, Center (RT)	29	67004101	Sweep, Dual Tube
				67002960	Black	30	67006101	Cover, Unit
2	W10137519	Elbow, Fill Tube	16	67004092	Block, Fill Tube	31	M0286708	Nut, Speed
3	67003405	Block, Pivot	17		Cover, Corner (2)	32	A3076901	Plug, Button
4	B5759649	Gasket		67003485	Black	33	67003796	Insulation, Sound
5	67005127	Roller	18	12626908ED	Hinge, Top Left	34	W10141622	Brake, Foot
6	67006642	Pin, Center Hinge	19		Roller Assy.	35	67006697	Bolt, Adjusting
7	67006118	Roller Assy.(Rear)			(Front)			(Rear)
8	67006287	Screw		W10130459	Right	36	M0104106	Clip (2)
9	67006521	Screw		W10130460	Left	37	67001066	Tube, Drain
10	12456801	Bracket, Roller	20	67006564	Screw (8)	38	67001067	Clip, Drain Tube
		(Rear)	21	12579702	Shim, Hinge	39	M0108105	Clamp, Tube
11	67006380	Screw (6)	22		Grille, Toe	40		Cabinet (Not a
12		Bracket, Roller		W10131134	Black			Serviceable Part)
		(Front)	23	M1205302	Pin	41	12626907ED	Hinge, Top Right
	W10137532	Left	24		Hinge, Center (LT)	42		Cover, Right Hinge
	W10137533	Right		67002960	Black		12629801B	Black
			25	67006425	Screw (10)			

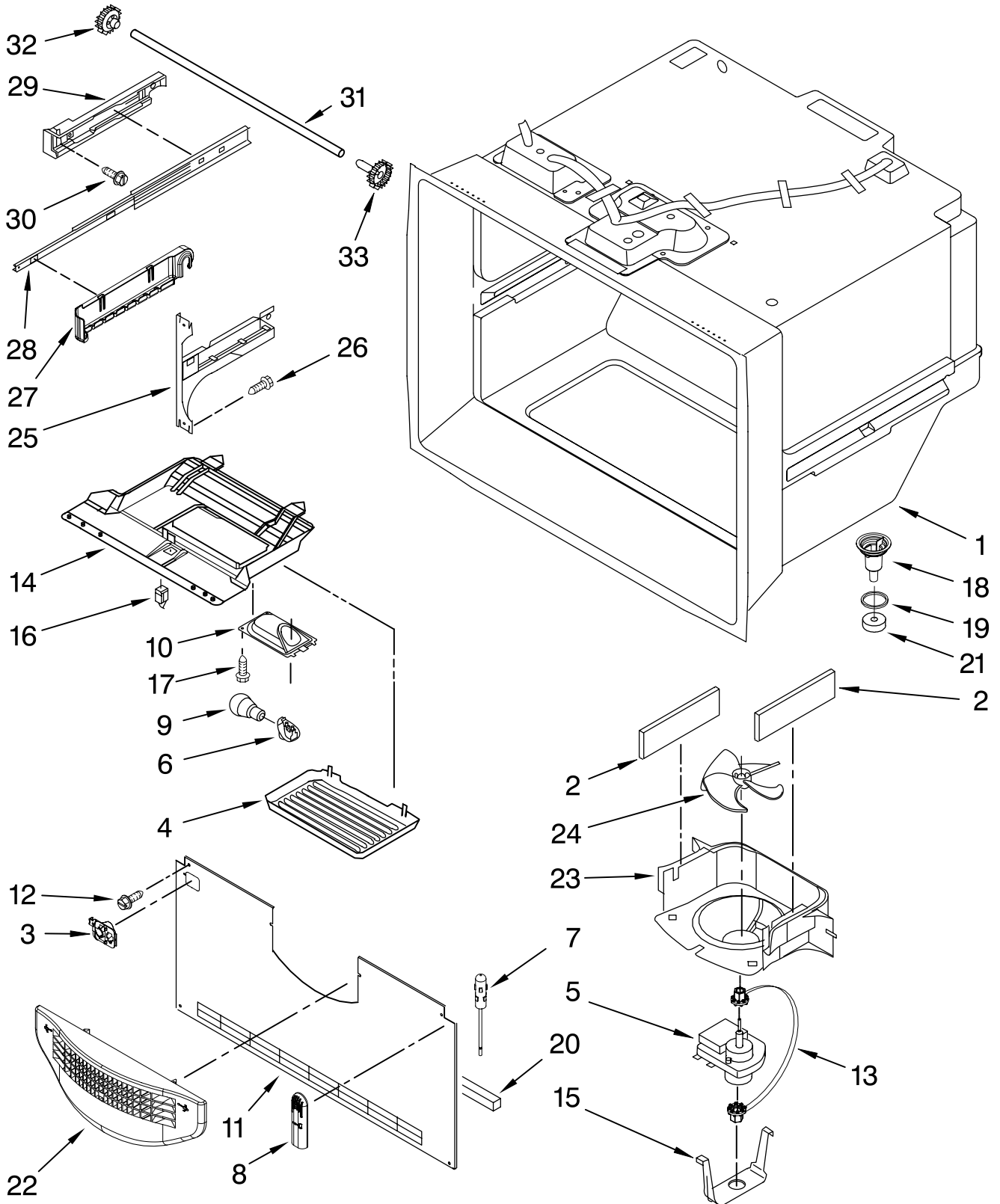
FOR ORDERING INFORMATION REFER TO PARTS PRICE LIST

# FREEZER LINER PARTS

For Models: PF36BNDFBKPB

(Black)

The model(s) number shown may be different than what is printed on the model/serial tag of your product. The number(s) shown combine the model number and the first two digits of the serial number from the product tag.



FOR ORDERING INFORMATION REFER TO PARTS PRICE LIST

# FREEZER LINER PARTS

For Models: PF36BNDFBKPB

(Black)

The model(s) number shown may be different than what is printed on the model/serial tag of your product. The number(s) shown combine the model number and the first two digits of the serial number from the product tag.

Illus. No.	Part No.	DESCRIPTION	Illus. No.	Part No.	DESCRIPTION	Illus. No.	Part No.	DESCRIPTION
1		Liner (Not A Serviceable Part)	17	67006530	Screw	28	W10180420	Slide, Drawer (2)
2	67001291	Gasket, Foam	18	D7753903	Funnel, Drain	29		Adapter, Slide
3	67005874	Guide, Fill Tube	19	M0500703	Seal		67004971	Left
4	67003905	Cover, Light	20	67002492	Gasket, Bottom		67004972	Right
5	67003636	Motor, Evaporator	21	B8381501	Gasket	30	67006406	Screw (6)
6	Y12570701	Socket, Light	22	W10175909	Grille, Fz Air	31	67004017	Shaft
7	12002355	Thermistor	23	W10167023	Shroud, Evap Fan	32	12002497	Gear (Left) (Includes Item 33)
8	67003924	Cover, Thermistor	24	2169142	Blade, Fan (Evaporator)	33	12002497	Gear (Right) (Includes Item 32)
9	A0282812	Bulb, Light	25		Bracket, Door	Following Parts Not Illustrated		
10	67001035	Housing, Light		W10119064	Left		67006095	Harness, Fz Module
11	67005873	Cover, Evaporator		W10119295	Right			
12	67006425	Screw (4)	26	67006473	Screw (8)			
13	W10121318	Grommet	27		Cradle, Basket			
14	67003906	Housing, Light		67004728	Left			
15	W10167028	Clip, Evap Motor		67004729	Right			
16	67005653	Switch, Light						

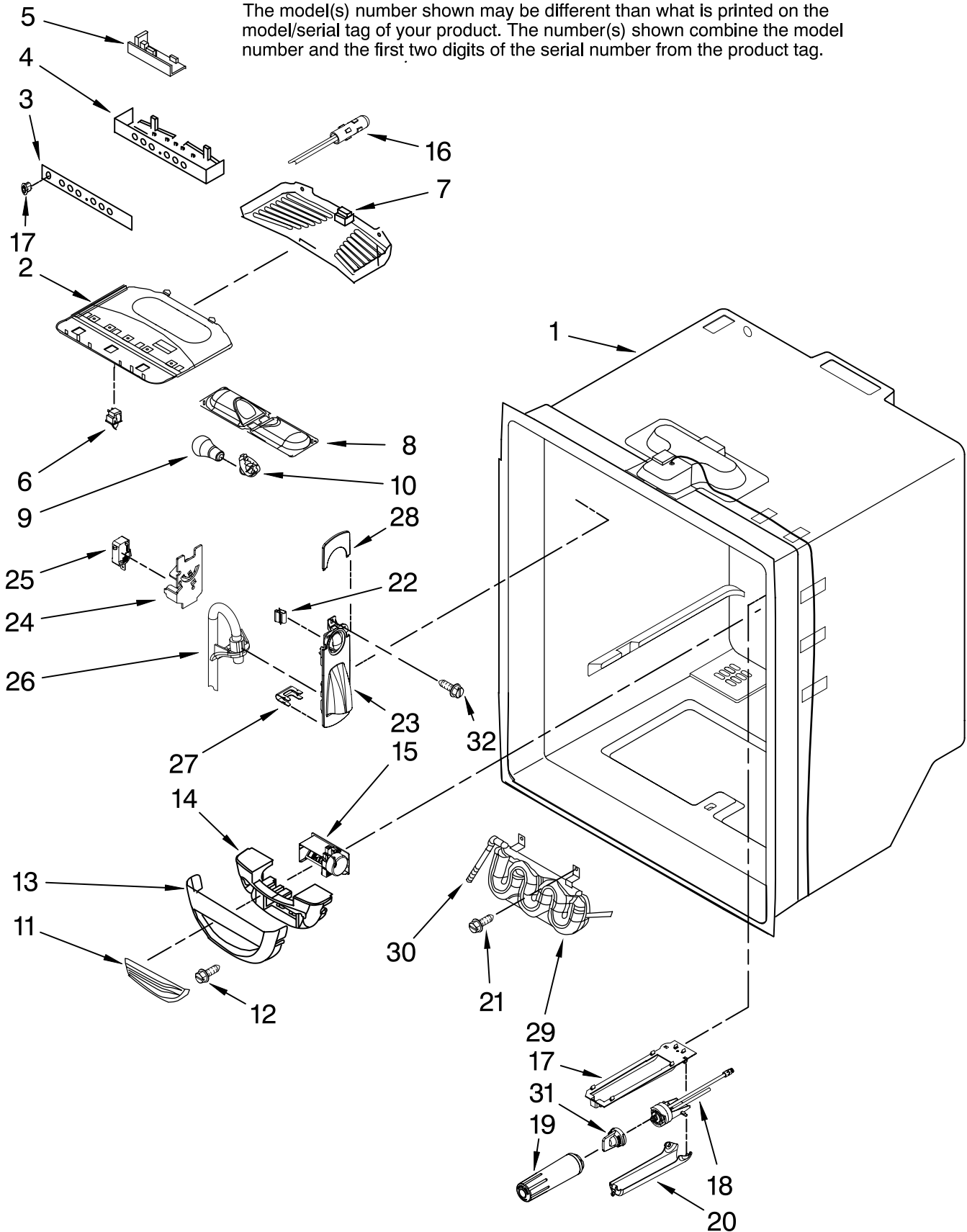
FOR ORDERING INFORMATION REFER TO PARTS PRICE LIST

# REFRIGERATOR LINER PARTS

For Models: PF36BNDFBKPB

(Black)

The model(s) number shown may be different than what is printed on the model/serial tag of your product. The number(s) shown combine the model number and the first two digits of the serial number from the product tag.



FOR ORDERING INFORMATION REFER TO PARTS PRICE LIST

# REFRIGERATOR LINER PARTS

For Models: PF36BNDFBKPB

(Black)

The model(s) number shown may be different than what is printed on the model/serial tag of your product. The number(s) shown combine the model number and the first two digits of the serial number from the product tag.

Illus. No.	Part No.	DESCRIPTION	Illus. No.	Part No.	DESCRIPTION	Illus. No.	Part No.	DESCRIPTION
1		Liner (Not A Serviceable Part)	13	67003899	Cover, Damper	27	67002816	Clip, Waterline
2	67004078	Module, Light	14	67006604	Insulation	28	67006909	Facade, Disp (Top)
3	67006910	Keyboard	15	W10127429	Control, Damper	29	W10153959	Tank, Water
4	67005444	Module, Control	16	12002355	Thermistor	30	61006182	Union
5	67005397	Board, Control	17	67001668	Plate	31	61003146	Plug, Bypass
6	C3680310	Switch, Light (2)	18	67006524	Head, Water Filter	32	67006400	Screw
7	67003897	Cover, Light	19	67006470	Filter, Water	<hr/> <p>Following Parts Not Illustrated</p> <hr/> <p>67005417 Harness, Control (Refrigerator)</p>		
8	67003901	Housing, Light	20	12568001	Cover, Filter			
9	A0282812	Bulb, Light (2)	21	67006287	Screw (2)			
10	Y12570701	Socket, Light (2)	22	B8390302	Clip, Facade (2)			
11	67003900	Insert, Damper Cover	23	W10158503	Facade, Disp.			
12	67006602	Screw	24	67002742	Plate, Switch			
			25	12575501	Switch, Limit			
			26	67003728	Guide, Waterline			

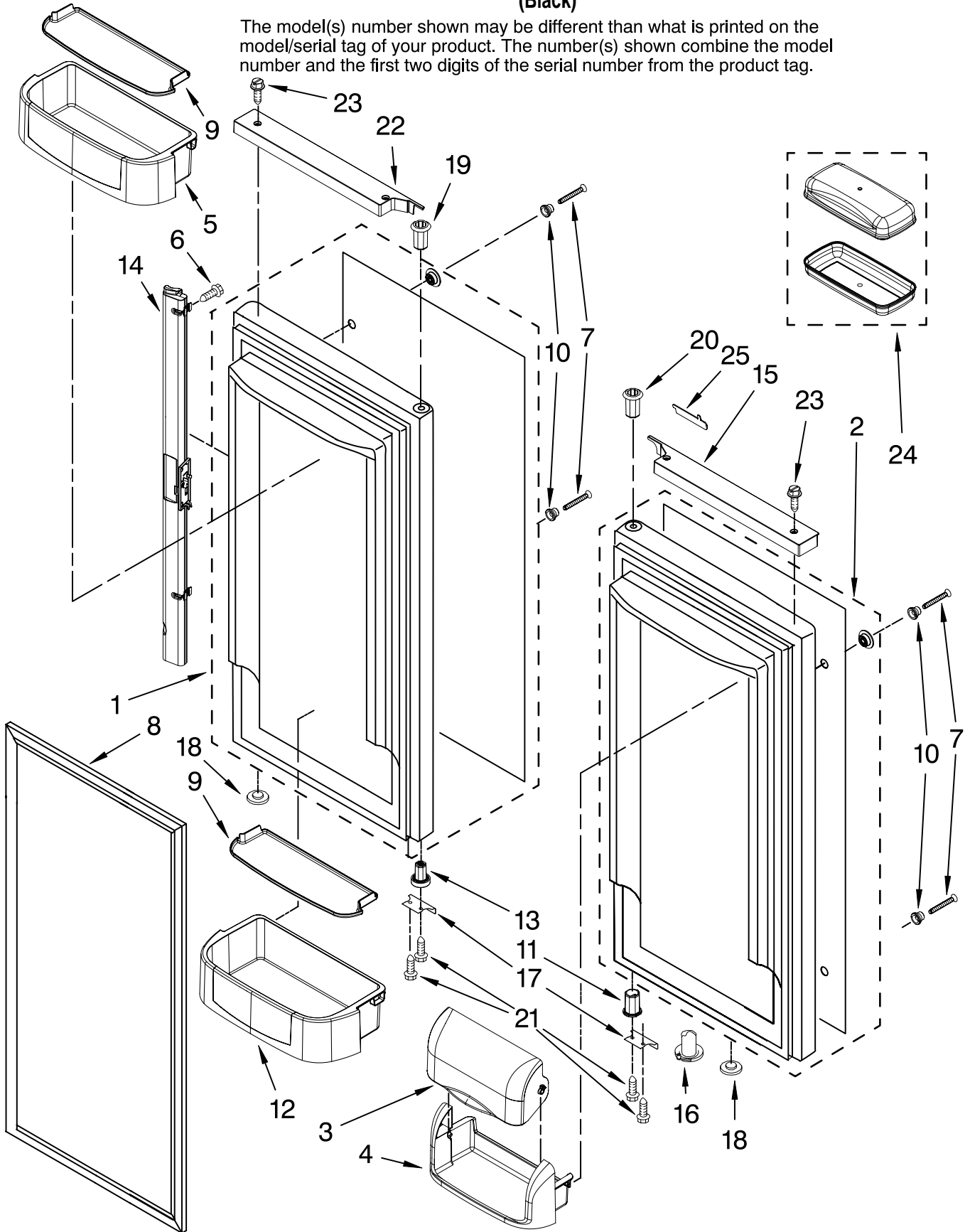
FOR ORDERING INFORMATION REFER TO PARTS PRICE LIST

# REFRIGERATOR DOOR PARTS

For Models: PF36BNDFBKPB

(Black)

The model(s) number shown may be different than what is printed on the model/serial tag of your product. The number(s) shown combine the model number and the first two digits of the serial number from the product tag.



FOR ORDERING INFORMATION REFER TO PARTS PRICE LIST

# REFRIGERATOR DOOR PARTS

For Models: PF36BNDFBKPB

(Black)

The model(s) number shown may be different than what is printed on the model/serial tag of your product. The number(s) shown combine the model number and the first two digits of the serial number from the product tag.

Illus. No.	Part No.	DESCRIPTION	Illus. No.	Part No.	DESCRIPTION	Illus. No.	Part No.	DESCRIPTION
1		Door, Left	10	67006113	Mount, Handle	18		Plug, Button
	W10179490	Black	11	67002731	Bushing, Door (Bottom Right)		67004838	Black
2		Door, Right	12	67005258	Bin, Shelf (2) (Gallon)	19		Bushing, Door (Upper Left)
	W10179489	Black	13	67002721	Bushing, Door (Bottom Left)		12395501B	Black
3	67003637	Door, Dairy	14		Mullion, Door	20		Bushing, Door (Upper Right)
4	67001279	Tray, Dairy		67003264	Black		67004978	Black
5	67003775	Bin, Shelf (3) (Medium)	15	67005569	Extension, Door (Right-Black)	21	67006287	Screw
6	67006783	Screw	16		Closure, Door	22	67005567	Extension, Door (Left-Black)
7	W10133608	Screw		67003639	Black	23	67006679	Screw, Extension
8		Gasket, Door (2)	17		Stop, Door	24	67006229	Dish Assy., Butter
	12723206B	Black		67003780	Black	25	67006172	Nameplate
9		Gripper						
	67009606	Medium Bucket						
	67006907	Gallon Bucket						

FOR ORDERING INFORMATION REFER TO PARTS PRICE LIST

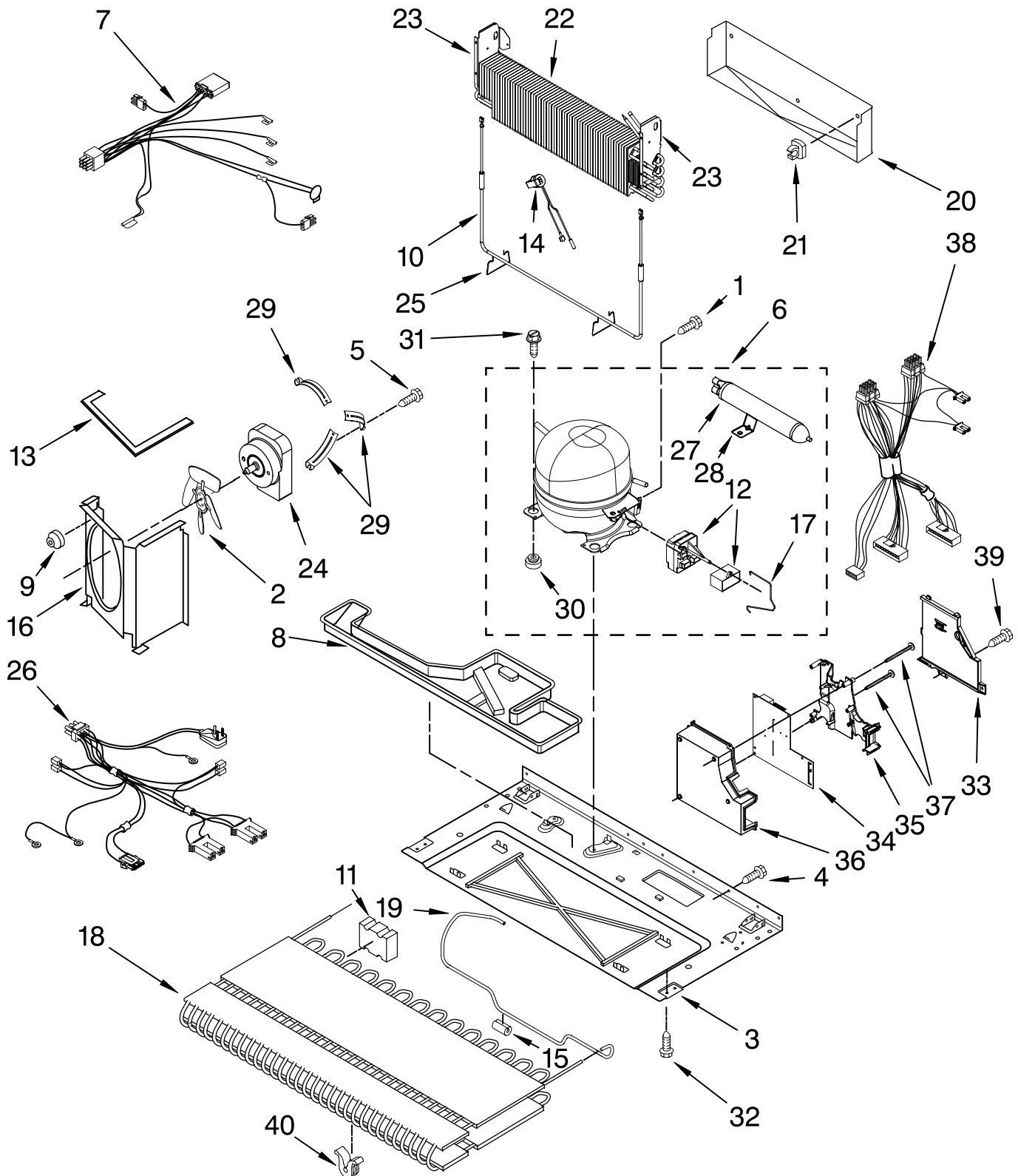


# UNIT PARTS

For Models: PF36BNDFBKPB

(Black)

The model(s) number shown may be different than what is printed on the model/serial tag of your product. The number(s) shown combine the model number and the first two digits of the serial number from the product tag.



FOR ORDERING INFORMATION REFER TO PARTS PRICE LIST

# UNIT PARTS

For Models: PF36BNDFBKP

(Black)

The model(s) number shown may be different than what is printed on the model/serial tag of your product. The number(s) shown combine the model number and the first two digits of the serial number from the product tag.

Illus. No.	Part No.	DESCRIPTION	Illus. No.	Part No.	DESCRIPTION	Illus. No.	Part No.	DESCRIPTION
1	67006433	Screw	22	12002041	Evaporator Kit (Incl. Evap., Heat Shield, & Instr. Sheet)	<hr/> <b>Following Parts Not Illustrated and Optional Parts Not Included</b> <hr/>		
2	W10162928	Blade, Fan						
3	67005889	Basepan						
4	67006425	Screw (2)						
5	67004954	Screw (3)	23		Dam			
6	12002634	Compressor Kit (Includes items 12,17,27, & 30)		67001084	Right Side		978025	Valve, Access (1/4")
				67001083	Left Side		978026	Valve, Access (5/16")
7	W10119857	Harness, Evap Heater	24	67004432	Motor, Fan		978027	Valve, Access (3/8")
8	67007175	Pan, Drain	25	10428101	Clip, Heater		978028	Valve, Access (1/2")
9	61004743	Grommet (3)	26	13060201	Harness, Unit with Power Cord		978029	Valve, Access (5/8")
10	67002493	Heater, Defrost	27	2317845	Drier		978030	Valve, Access (3/4")
11	67005491	Block, Condenser	28	10547003	Clip, Drier		876764	Valve, Access (3/16")
12	67005560	Relay Assy. (Incl. Capacitor)	29	67004953	Bracket, Fan Motor	<hr/> <b>REFRIGERANT CHARGE</b> <hr/>		
13	61003210	Gasket	30	67003493	Grommet (4)			5.0 Ozs.
14	W10165425	Thermostat, Def.	31	67006432	Screw (3)			(R-134A)
15	67005680	Grommet (2)	32	67006573	Screw (4)			
16	W10158508	Shroud	33	67005421	Cover, HV Box			
17	67007052	Clip, Capacitor	34	W10173398	Board, HV Control (Inc. Inst. Sheet)			
18	67006131	Condenser	35	67005418	Spacer, HV Box			
19	67004700	Tube, Discharge	36	67004969	Box, HV			
20	67002490	Tray, Drip	37	67006550	Screw (2)			
21	10623002	Clip, Evaporator	38	67005419	Harness, HV			
			39	67006615	Screw, Cover			
			40	W10137529	Grommet, Cond. (4)			

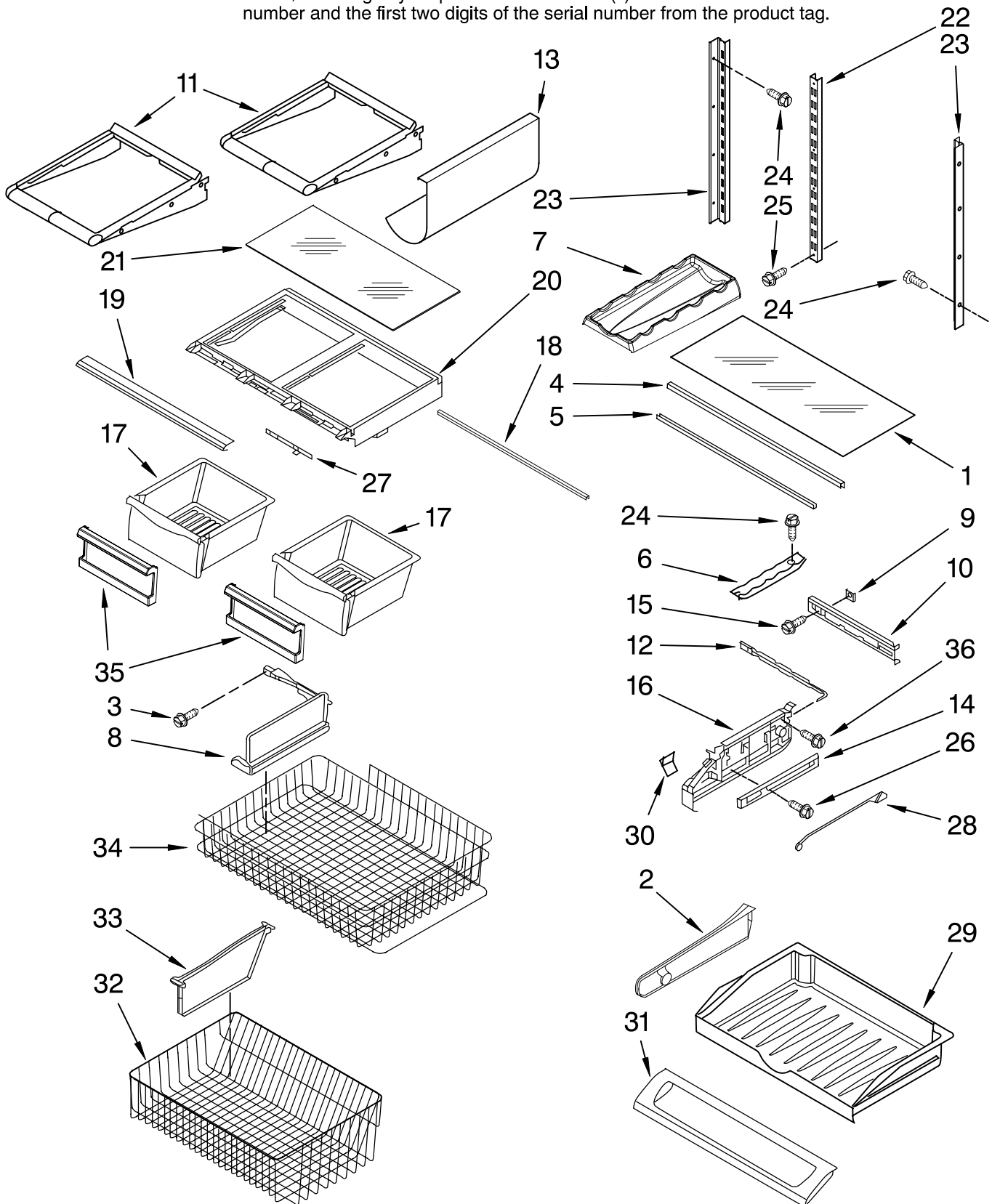
FOR ORDERING INFORMATION REFER TO PARTS PRICE LIST

# SHELF PARTS

For Models: PF36BNDFBKPB

(Black)

The model(s) number shown may be different than what is printed on the model/serial tag of your product. The number(s) shown combine the model number and the first two digits of the serial number from the product tag.



FOR ORDERING INFORMATION REFER TO PARTS PRICE LIST

# SHELF PARTS

For Models: PF36BNDFBKPB

(Black)

The model(s) number shown may be different than what is printed on the model/serial tag of your product. The number(s) shown combine the model number and the first two digits of the serial number from the product tag.

Illus. No.	Part No.	DESCRIPTION	Illus. No.	Part No.	DESCRIPTION	Illus. No.	Part No.	DESCRIPTION
1	67002332	Glass, Pantry	15	67006400	Screw	28	67003794	Rod, Temperature Control
2	67002321	Divider, Pantry Drawer	16	67005862	Endcap, Pantry Left	29	67003530	Drawer, Pantry
3	67006608	Screw		67006912	Right	30	67003791	Knob, Temperature Control
4	67006010	Extr, Glass Support (2)	17	67002659	Pan, Crisper (2)	31	67005899	Door, Pantry Drawer
5	67002330	Brace, Pantry (2)	18	67002488	Brace, Crisper	32	67006026	Basket, Freezer (Lower)
6	67001719	Track, Pantry	19	67006911	Trim, Crisper	33	67004812	Divider, Lower Basket
7	67001656	Trivet, Wine	20	67006185	Frame, Crisper	34	67004988	Basket, Freezer (Upper)
8	67004127	Divider, Upper Basket	21	67006655	Glass, Crisper Cover	35	67005909	Front, Crisper Pan
9	67002329	Gasket, Pantry	22	67001073	Ladder, Center	36	67006415	Screw (4)
10	67005625	Housing, Control	23	67002489	Ladder, Side			
11	67003169	Shelf, Glide (4)	24	67006400	Screw (6)			
12	67003793	Slide, Temperature	25	67006360	Screw (2)			
13	10448903	Rack, Bottle	26	67006287	Screw (4)			
14	67007026	Glide, Drawer(2)	27	67005864	Slide, Humidity Control			

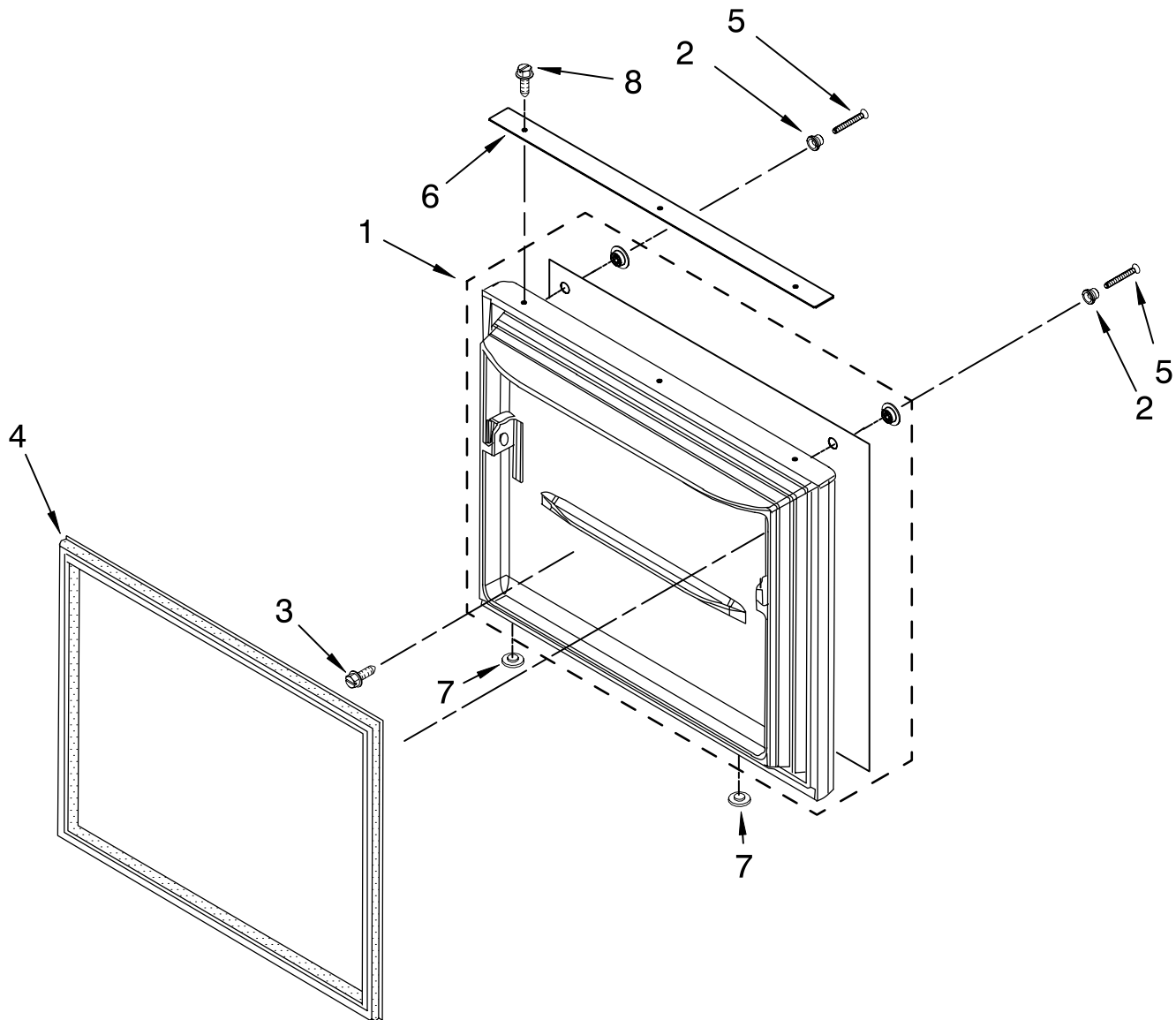
FOR ORDERING INFORMATION REFER TO PARTS PRICE LIST

# FREEZER DOOR PARTS

For Models: PF36BNDFBKPB

(Black)

The model(s) number shown may be different than what is printed on the model/serial tag of your product. The number(s) shown combine the model number and the first two digits of the serial number from the product tag.



Illus. No.	Part No.	DESCRIPTION
1	W10179491	Door, Freezer Black
2	67006113	Mount, Handle
3	67006408	Screw (8)

Illus. No.	Part No.	DESCRIPTION
4	W10131754	Gasket, Door Black
5	W10133608	Screw
6	67005571	Extension, Door Black

Illus. No.	Part No.	DESCRIPTION
7	67004838	Plug, Button (2) Black
8	67007042	Screw (3)

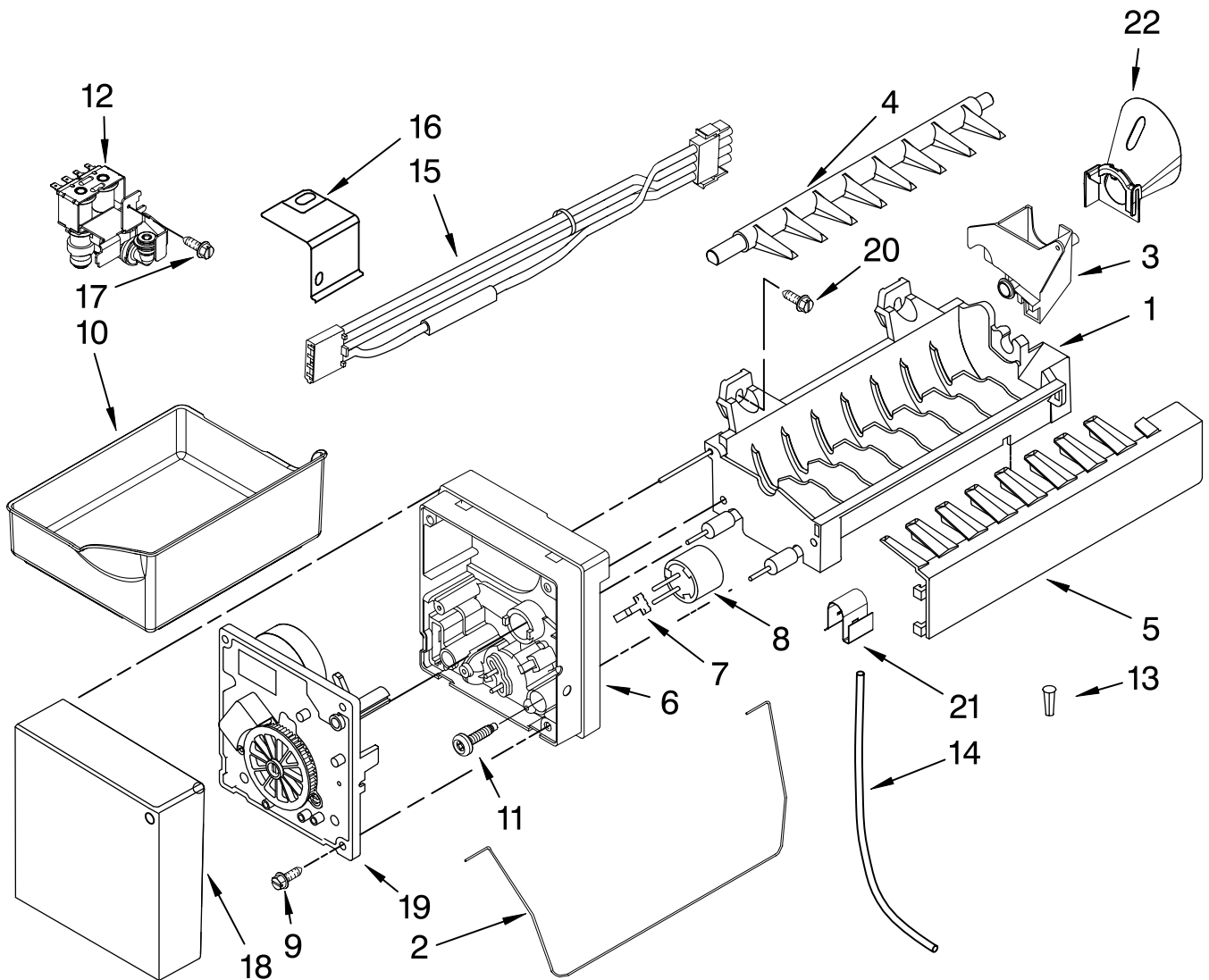
FOR ORDERING INFORMATION REFER TO PARTS PRICE LIST

# ICEMAKER PARTS

For Models: PF36BNDFBKPB

(Black)

The model(s) number shown may be different than what is printed on the model/serial tag of your product. The number(s) shown combine the model number and the first two digits of the serial number from the product tag.



Illus. No.	Part No.	DESCRIPTION
1	W10122527	Mold & Heater Assembly (Also Order 542638 Grease)
2	67004028	Arm, Shutoff
3	628515	Cup, Fill
4	627843	Ejector
5	2182124	Ice Stripper
6	2194712	Support, Housing
7	2315522	Retainer, Thermostat
8	627985	Thermostat (Also Order 542369 Cement)

Illus. No.	Part No.	DESCRIPTION
9	489464	Screw (3)
10	67001255	Pan, Ice
11	8533917	Screw (2)
12	67006531	Valve, Water Inlet
13	A3223101	Insert, Tube
14	67003729	Tubing, Plastic
15	W10153408	Harness, Ice Maker
16	2256086	Bracket, Icemaker
17	67006662	Screw
18	67004710	Cover

Illus. No.	Part No.	DESCRIPTION
19	626678	Module Assembly
20	489276	Screw (3)
21	628379	Clip
22	67005603	Funnel, Fill Tube
100	W10122519	Icemaker Assembly

### Following Parts Not Illustrated

10244904 Coupling

FOR ORDERING INFORMATION REFER TO PARTS PRICE LIST

# OPTIONAL PARTS (NOT INCLUDED)

For Models: PF36BNDFBKPB

(Black)

The model(s) number shown may be different than what is printed on the model/serial tag of your product. The number(s) shown combine the model number and the first two digits of the serial number from the product tag.

Illus. No.	Part No.	DESCRIPTION	Illus. No.	Part No.	DESCRIPTION	Illus. No.	Part No.	DESCRIPTION
Parts Not Illustrated and Optional Parts (Not Included)			<b>Miscellaneous</b>			<b>TORX SCREW WRENCH</b>		
<b>PAINT, TOUCH-UP (1/2oz.)</b>			212643		Sealer, Gum (4 Feet)		1117510	Torx Key
	72017	White	479502		Tape, Vinyl (3/4 x 108")			
	72032	Black	876370		Kit, Insulation (2 Pcs. x 3" x 24" X 48")			
	4392901	Biscuit	876305		Kit, Insulation (14 Pcs. x 3" x 24" x 48")			
<b>PAINT, PRESSURIZED SPRAY (12 oz.)</b>			978941		Insulation, Fiberglass (63-1/2" x 35-1/2" X 2-5/8)			
	*350942	Primer, White	876029		Kit, Foam Slab (30" x 32-1/2" x 1-1/2")			
	*350930	White	505587		Sealer, Mastic (1 Qt.)			
	*350939	Black	503695		Cork, Sealer (1/4 Pound)			
	*4392901	Biscuit	31462		Cleaner, 10 oz. Stainless Steel			
			542638		Grease, Silicone (1/2 Oz.)			
			542639		Cement, Alumilastic (1-1/4 Oz.)			
			606755		Bag, Insulation (36-5/8" x 46")			
			799833		Kit, Evaporator Repair (Aluminum Epoxy)			
			833938		Kit, Terminal Connector			

FOR ORDERING INFORMATION REFER TO PARTS PRICE LIST