

The Dacor logo is rendered in a bold, italicized, sans-serif font with a metallic, 3D effect. The letters are dark with a lighter, reflective top surface, giving it a sleek, modern appearance. A registered trademark symbol (®) is located at the end of the word.

dacor

The Life of the Kitchen.®

A faded, grayscale background image of a kitchen. In the center is a Dacor gas range with a white bowl on the stovetop. To the left, there are various kitchen items like a bowl of fruit and a bottle. To the right, a dish rack with clean dishes is visible. The overall scene is bright and clean, typical of a modern kitchen.

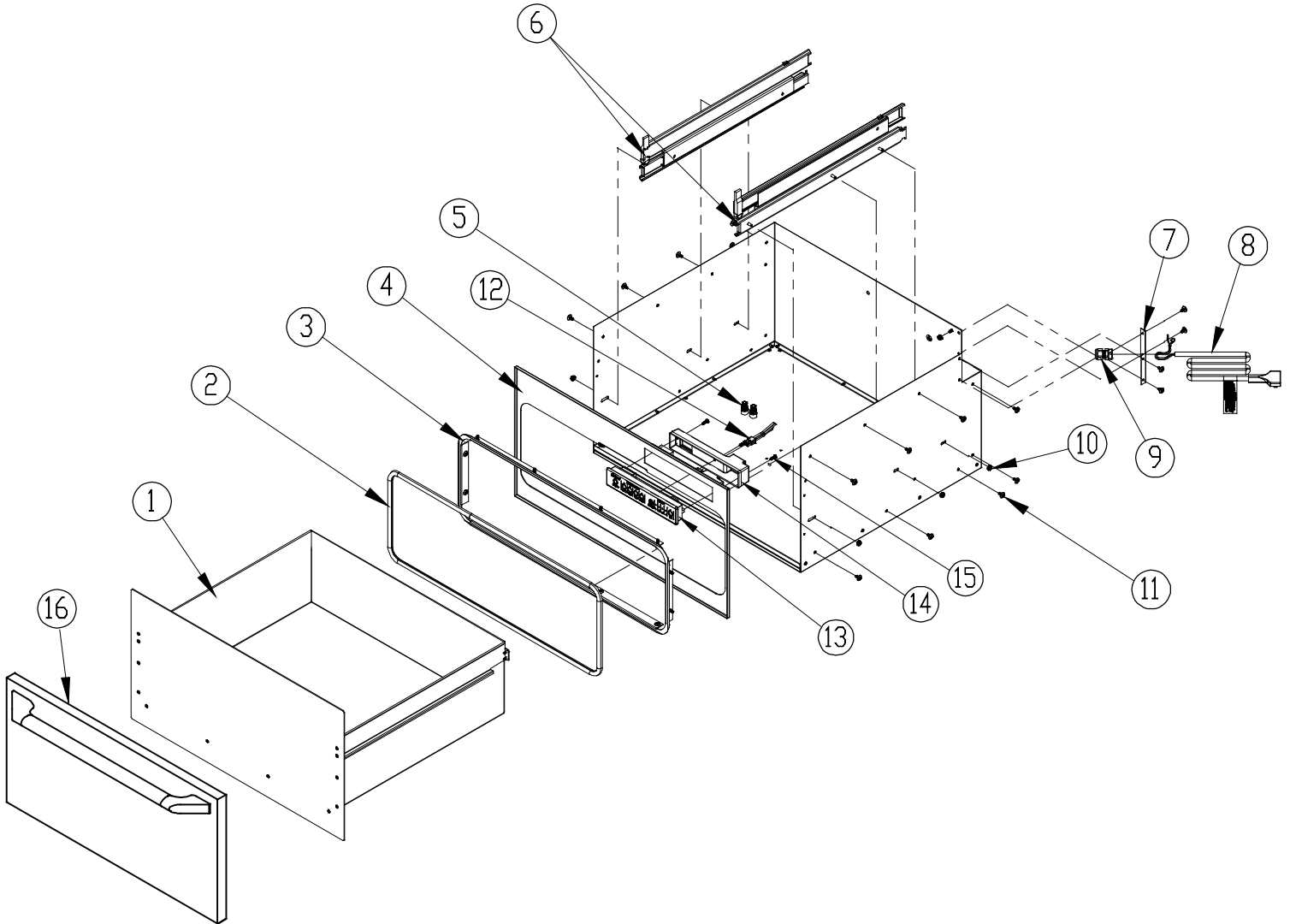
PARTS CATALOG

OWD24 Warming Drawer

Page	Description
2	Lower Assembly
3	Top Assembly

Revised 05-10-2012

OWD24 Lower Assembly



Item	Part #	Description
1	13524	Drawer Assembly
2	62976	Gasket
3	36743	Gasket, Retaining
4	106085 ¹	Front Frame ¹
5	83448	Wire Nut
6	72365	Slides/Rails Set
7	36747	Bracket, Corner
8	82562	Power Supply Cord, 48"
9	83472	Water Strain Relief
10	83048	Nut, Hex Keps, #8-32

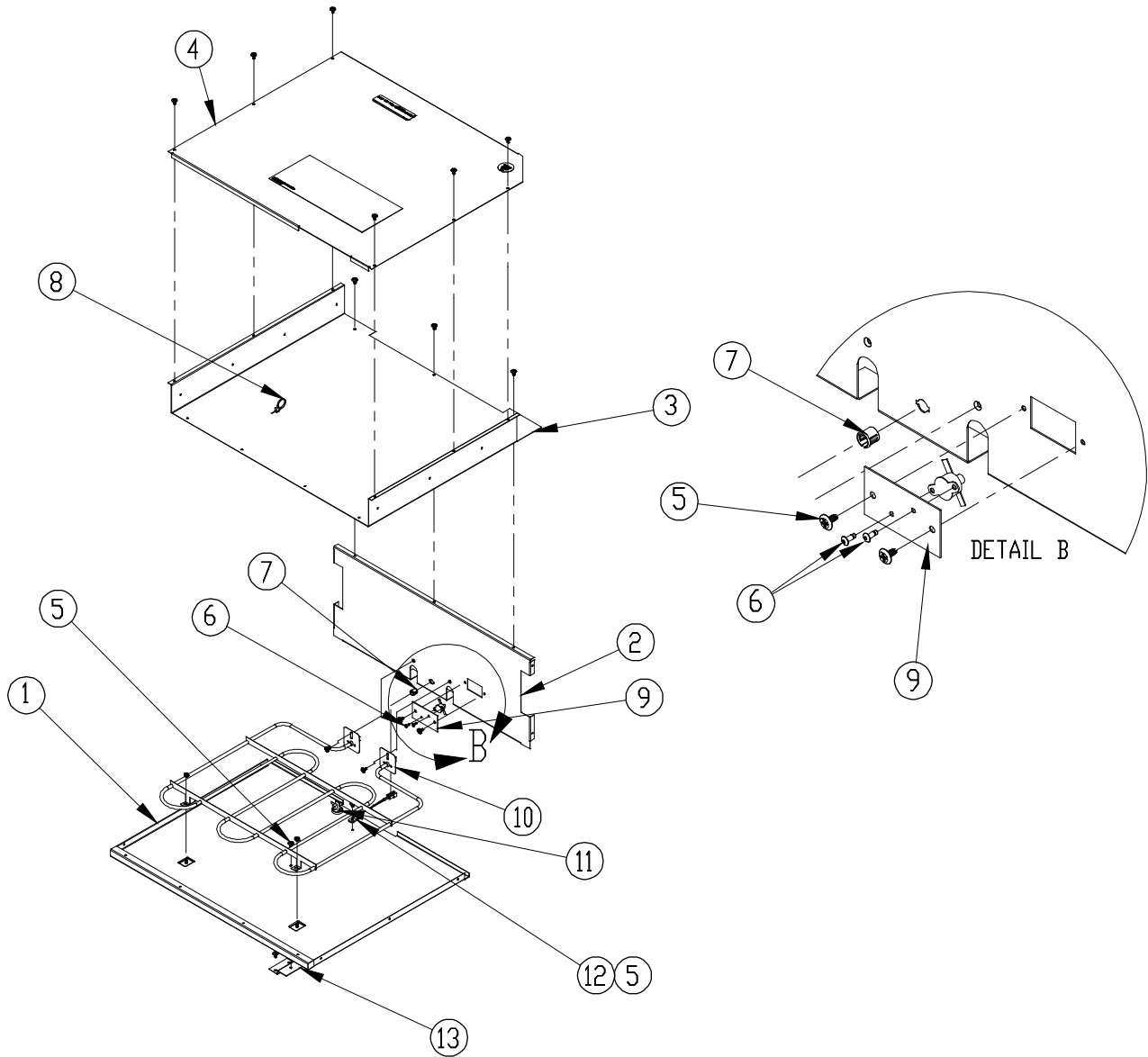
Item	Part #	Description
11	83619	Screw, Wfr HD, #8 x 3/8"
12	106217 ²	Wiring Harness with Hi Limit Switch ²
13	101645 ¹	Control w/ Overlay ¹
14	101610 ¹	Cover, WD Control Board ¹
15	102499 ¹	Screw, Plastite, #6-19 x 1/2" ¹
16	AWFP24 ³	Front Panel Kit, Elliptical Handle
	AEWP24 ³	Front Panel Kit, Round Handle
-	72462	Towel Warmer Rack (not shown)
-	83267	Clip, Towel Warmer Rack (not shown)
-	83619	Screw, Towel Warmer Rack (not shown)

¹Must be ordered as kit part number 700990. Kit includes items 4, 13, 14 and 15 (3 screws).

²To order high limit switch (thermostat) separately, order part number 82353.

³Optional front panel kit, custom front panel can also be installed, see installation instructions.

OWD24 Top Assembly



Item	Part #	Description
1	701131	Element Shelf
2	106502	Back Cover
3	106501	Top Cover
4	36744	Chassis Top
5	83619	Screw, Wafer Head, #8 x 3/8"
6	83652	Rivet, 1/8", Dome HD
7	83523	Bushing, 3/8" Hole
8	83138	Tie, Cable
9	106500	Bracket, High Limit
10	72325	Element, Heating
11	83037	Tie, Push Mount (Locking)
12	102472	Thermistor Sensor
13	106317	Bracket, Support, Shelf