



The Life of the Kitchen.®

A background image of a Dacor OGC36 Grill Cart, which is a stainless steel grill on a wooden cart with a white oven below. The words "PARTS CATALOG" are overlaid in large, semi-transparent, 3D-style letters.

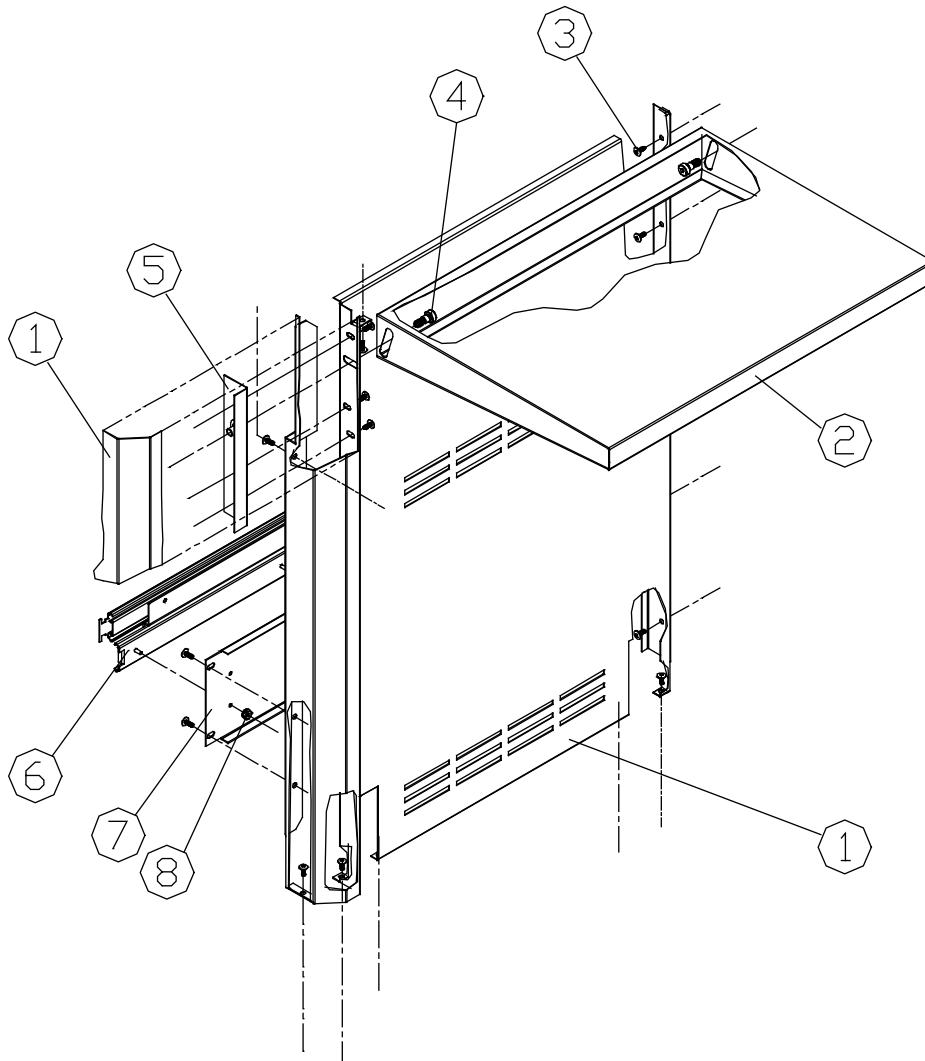
**PARTS
CATALOG**

OGC36 Grill Cart

| Page | Description |
|-------------|-----------------------|
| 2 | Right Panel |
| 3 | Top Drawer |
| 4 | Tank Drawer |
| 5 | Electrical Box |
| 6 | Bottom Panel |
| 7 | Left Panel |
| 8 | Drawer Divider |

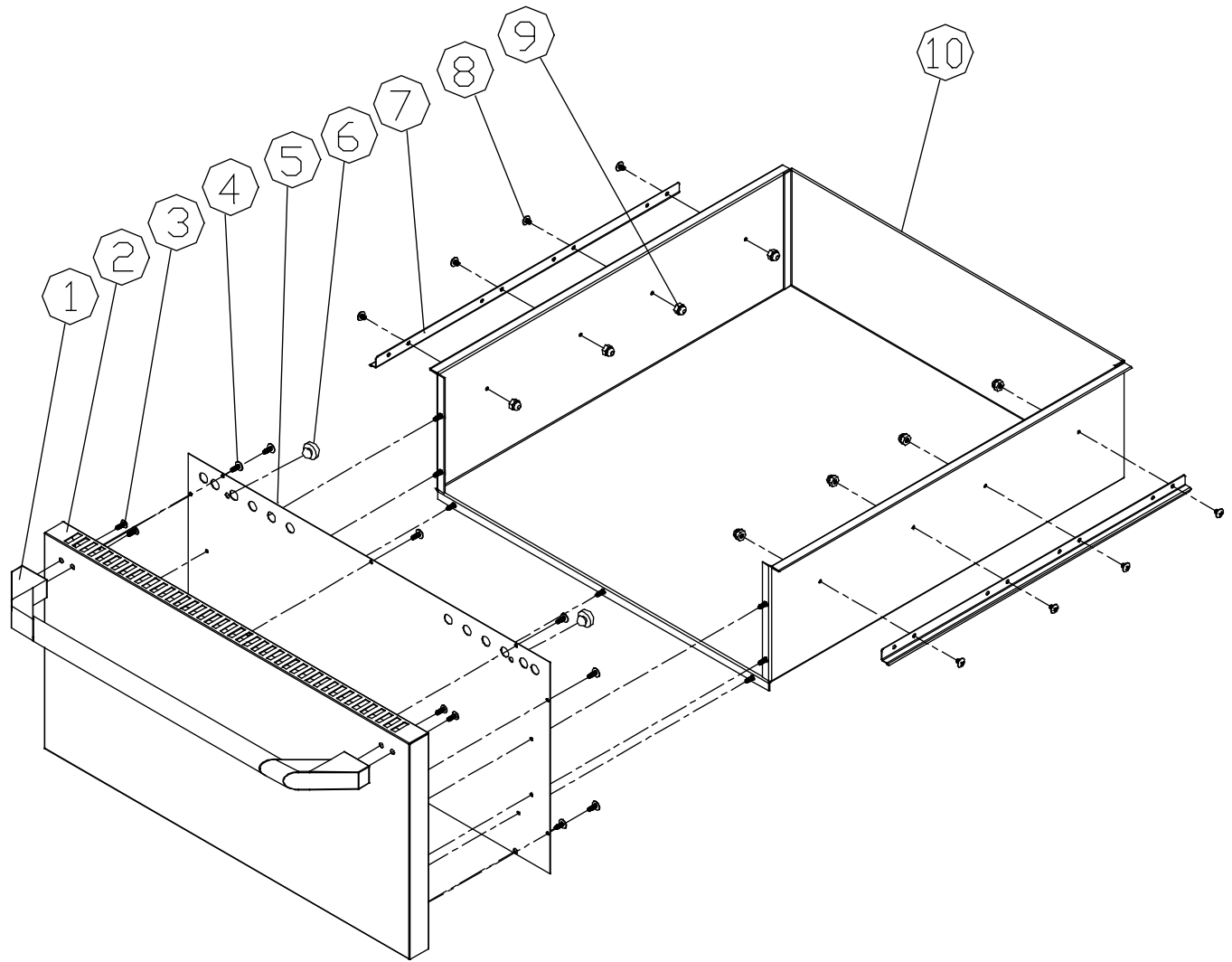
Revised 05-30-2013

OGC36 Grill Cart Right Panel



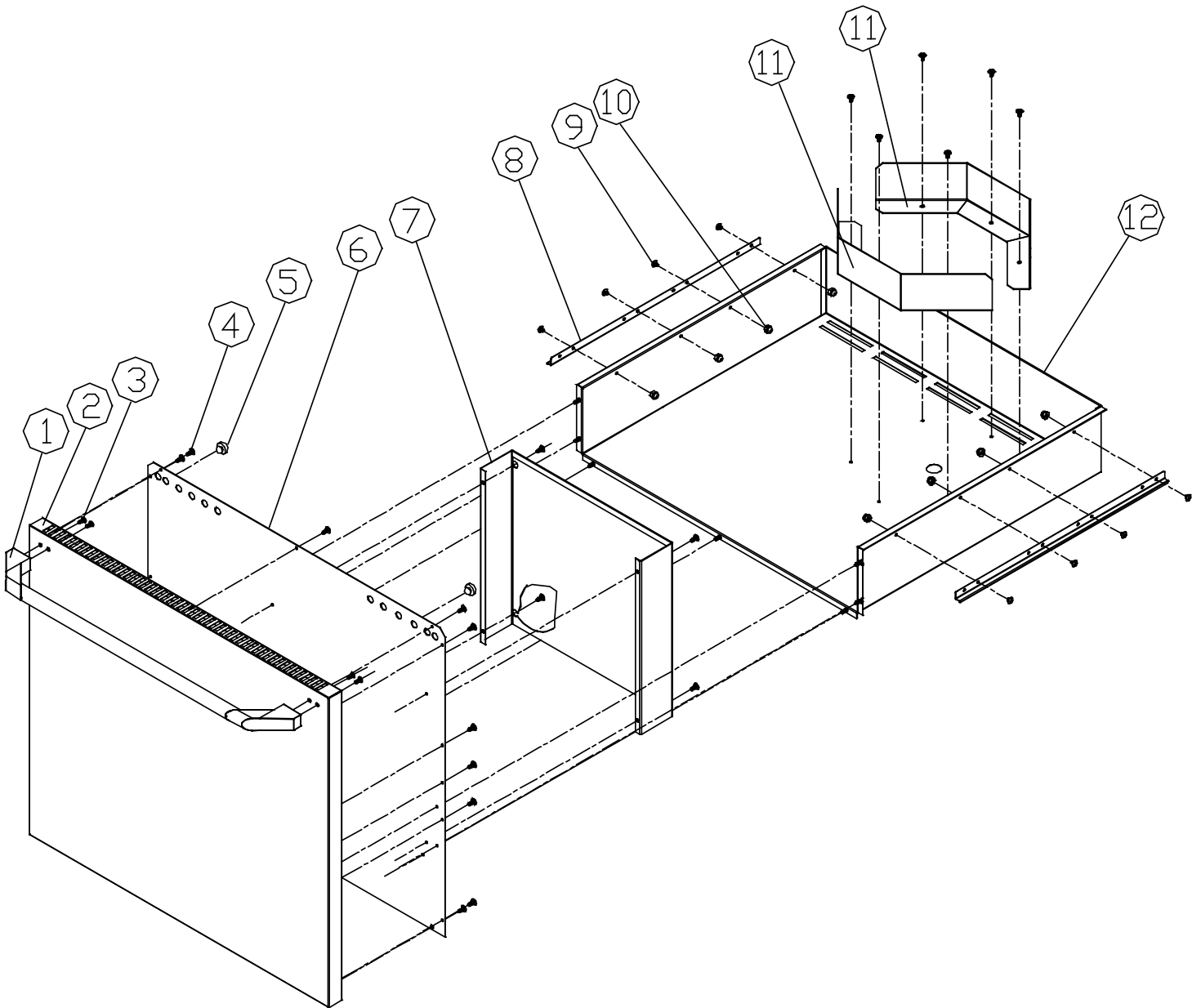
| Item | Part # | Description |
|------|--------|-----------------------------|
| 1 | 36633 | Side Panel, RH |
| 2 | 27871 | Side Shelf |
| 3 | 83684 | Truss Screw, 10-24 X 1/2 |
| 4 | 83676 | Shoulder Bolt, 3/8 X 3/8 |
| 5 | 27883 | Assy Side Shelf Bracket RH |
| 6 | 72207 | Slide Rail Set |
| 7 | 46086 | Drawer Channel, Slide Mount |
| 8 | 83192 | Keps nut, #8-32 |

OGC36 Grill Cart Top Drawer



| Item | Part # | Description |
|------|--------|---------------------------|
| 1 | 12566 | Handle Assy |
| 2 | 27877 | Cart Drawer Front |
| 3 | 83480 | Flat Head Screw |
| 4 | 83684 | Truss Screw, 10-24 x 1/2" |
| 5 | 46116 | Drawer Liner Top |
| 6 | 72165 | Hi Temp Rubber Bumper |
| 7 | 72207 | Slide Rail Set |
| 8 | 83689 | Screw |
| 9 | 83681 | Acorn Nut |
| 10 | 46092 | Drawer Box |

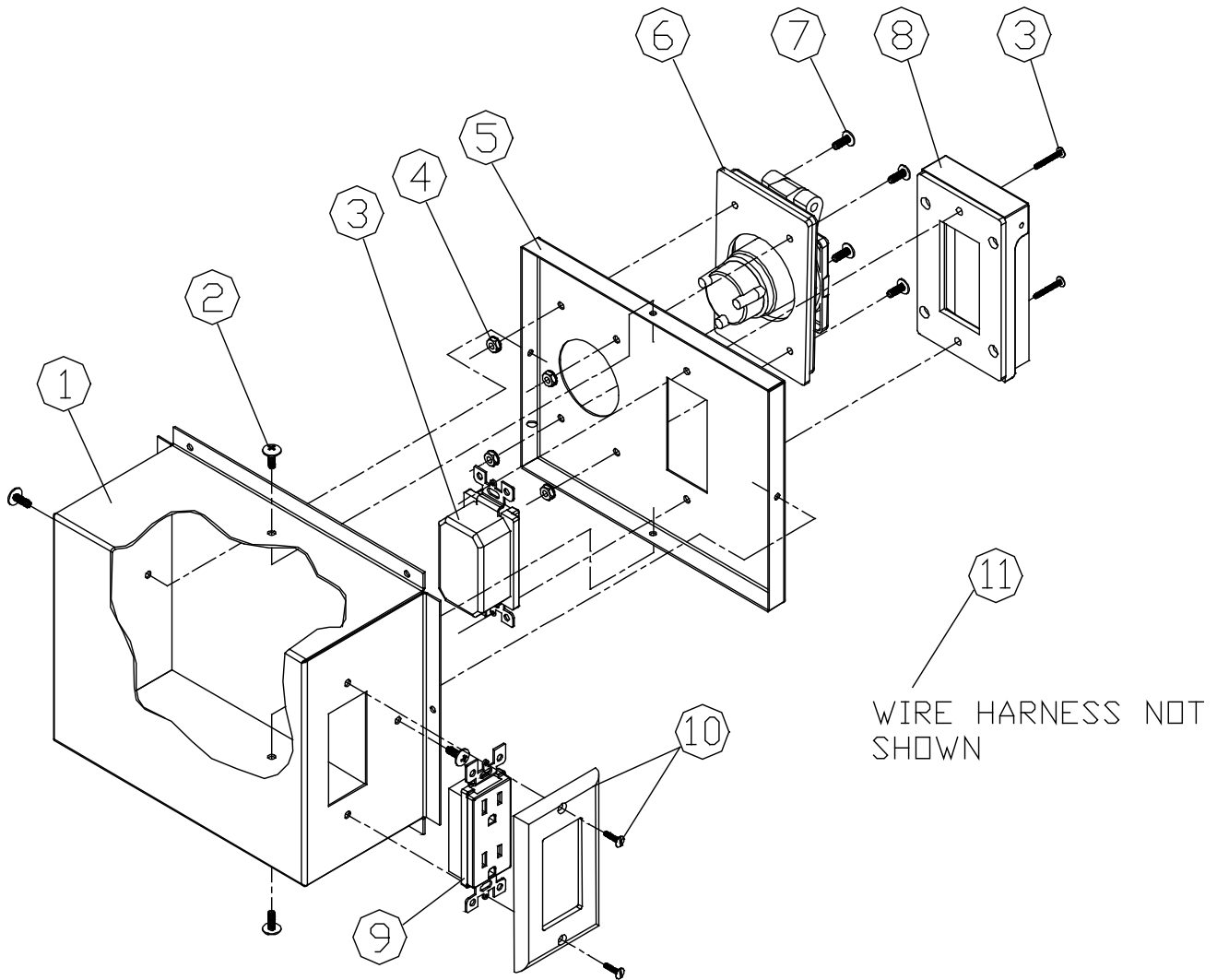
OGC36 Grill Cart Tank Drawer



| Item | Part # | Description |
|------|--------|----------------------------|
| 1 | 12566 | Handle Assy |
| 2 | 27878 | Drawer Front |
| 3 | 83480 | Flat Head Screw |
| 4 | 83684 | Machine Screw, 10-24 X 1/2 |
| 5 | 72165 | Hi Temp Rubber Bumper |
| 6 | 36646 | Tank Drawer Front Liner |

| Item | Part # | Description |
|------|--------|--------------------|
| 7 | 46083 | Cart Tool Holder |
| 8 | 72207 | Slide Rail Set |
| 9 | 83689 | Screw, 10-24 X 1/4 |
| 10 | 83681 | Acorn Nut |
| 11 | 46111 | Cart Dam |
| 12 | 46092 | Drawer Liner |

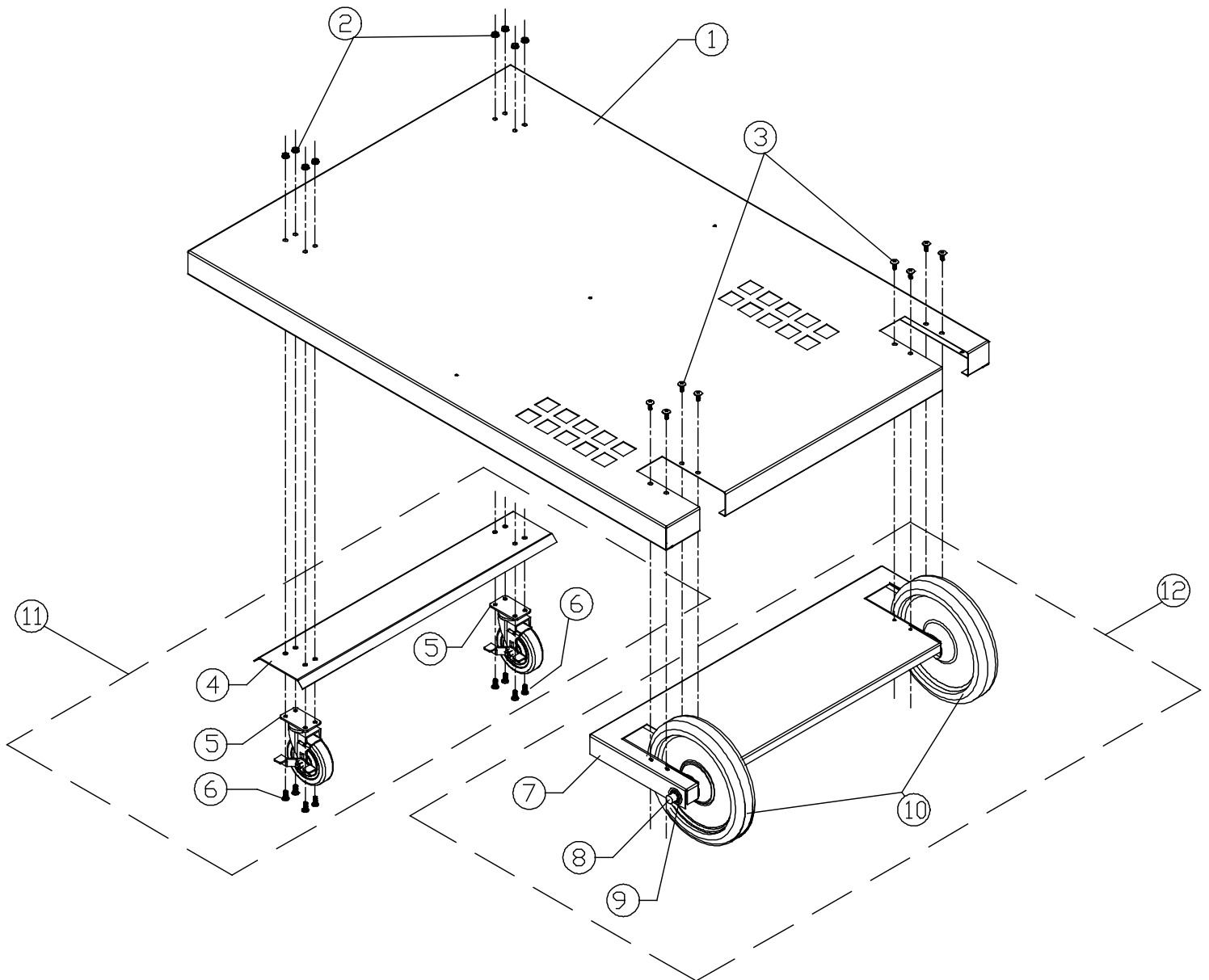
OGC36 Grill Cart Electrical Box



| Item | Part # | Description |
|----------|--------|-----------------------------|
| 1 | 46088 | Electrical Box |
| 2 | 83684 | Screw, 10-24 x 1/2", Truss |
| 3 | 72905 | Electrical Outlet, 2 Female |
| 4 | 83628 | Keps Nut, #8-32 SS |
| 5 | 46085 | Electrical Box Cover |
| 6 | 72904 | Electrical Outlet, 1 Male |

| Item | Part # | Description |
|-----------|--------|----------------------------------|
| 7 | 83689 | Screw, 8-32 x 1/2 Truss Phillips |
| 8 | 72921 | LEV 4998-6Y 1G WP Duplex |
| 9 | 72903 | Electrical Outlet, 2 Female |
| 10 | 72922 | LEV 80401-GY 1G Gray |
| 11 | 72960 | Wiring Harness (not shown) |

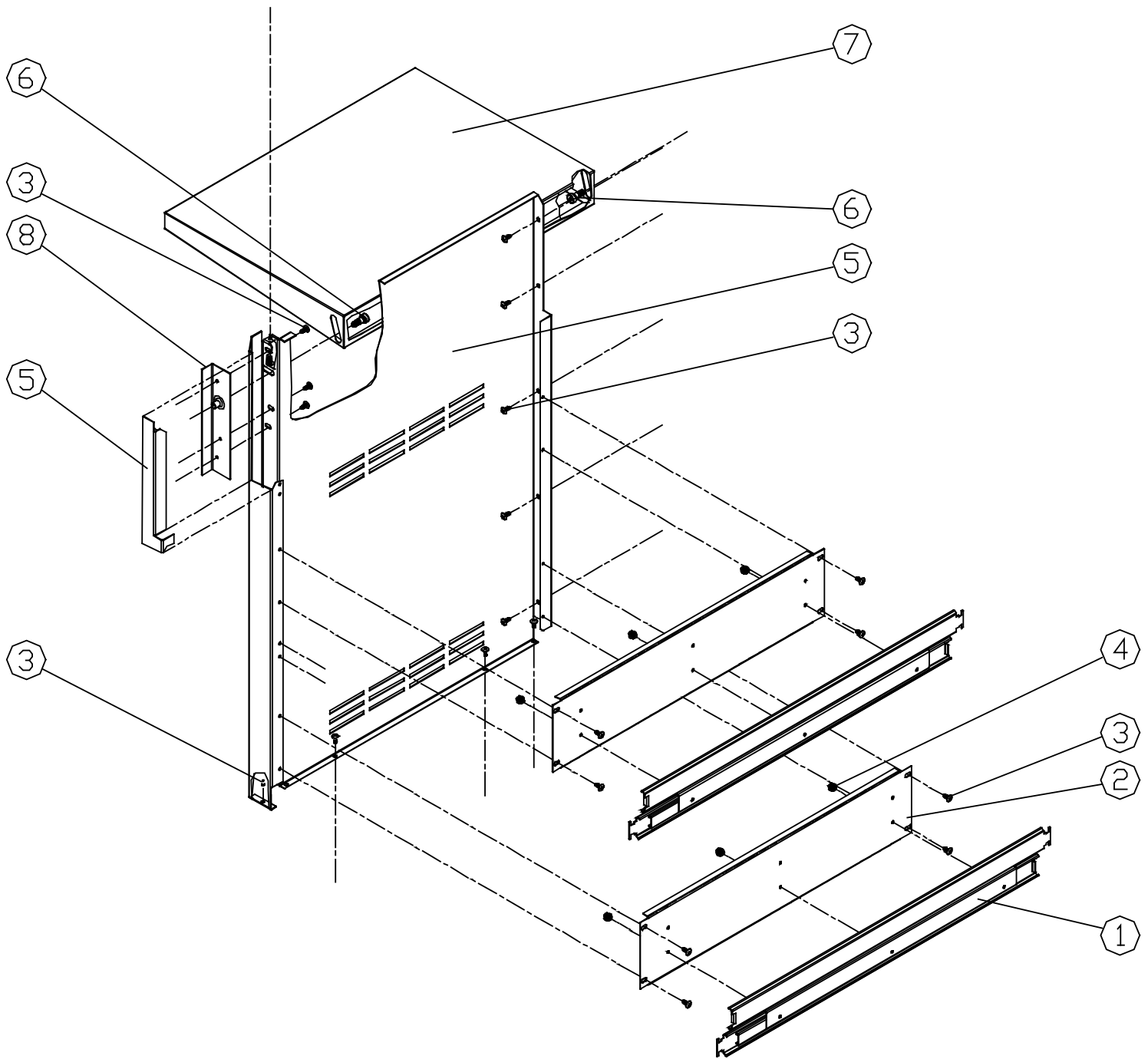
OGC36 Grill Cart Bottom Panel



| Item | Part # | Description |
|------|--------|-----------------------------|
| 1 | 46109 | Cart, Bottom Panel |
| 2 | 83628 | Keps Nut, #10-24 SS |
| 3 | 83684 | Screw, 10-24 x 4/2 Truss |
| 4 | 46091 | Caster Stiffener |
| 5 | 72932 | 3" Caster w/brake |
| 6 | 83689 | Screw, 10-24 x 1/4 SS Truss |

| Item | Part # | Description |
|------|--------|-------------------------|
| 7 | 36572 | Axle Support |
| 8 | 83677 | Axle 1/2" Dia. |
| 9 | 83678 | Push Nut |
| 10 | 72902 | 6" Semi-Pneumatic Wheel |
| 11 | 13715 | Caster Stiffener Assy |
| 12 | 13716 | Axle Stiffener Assy |

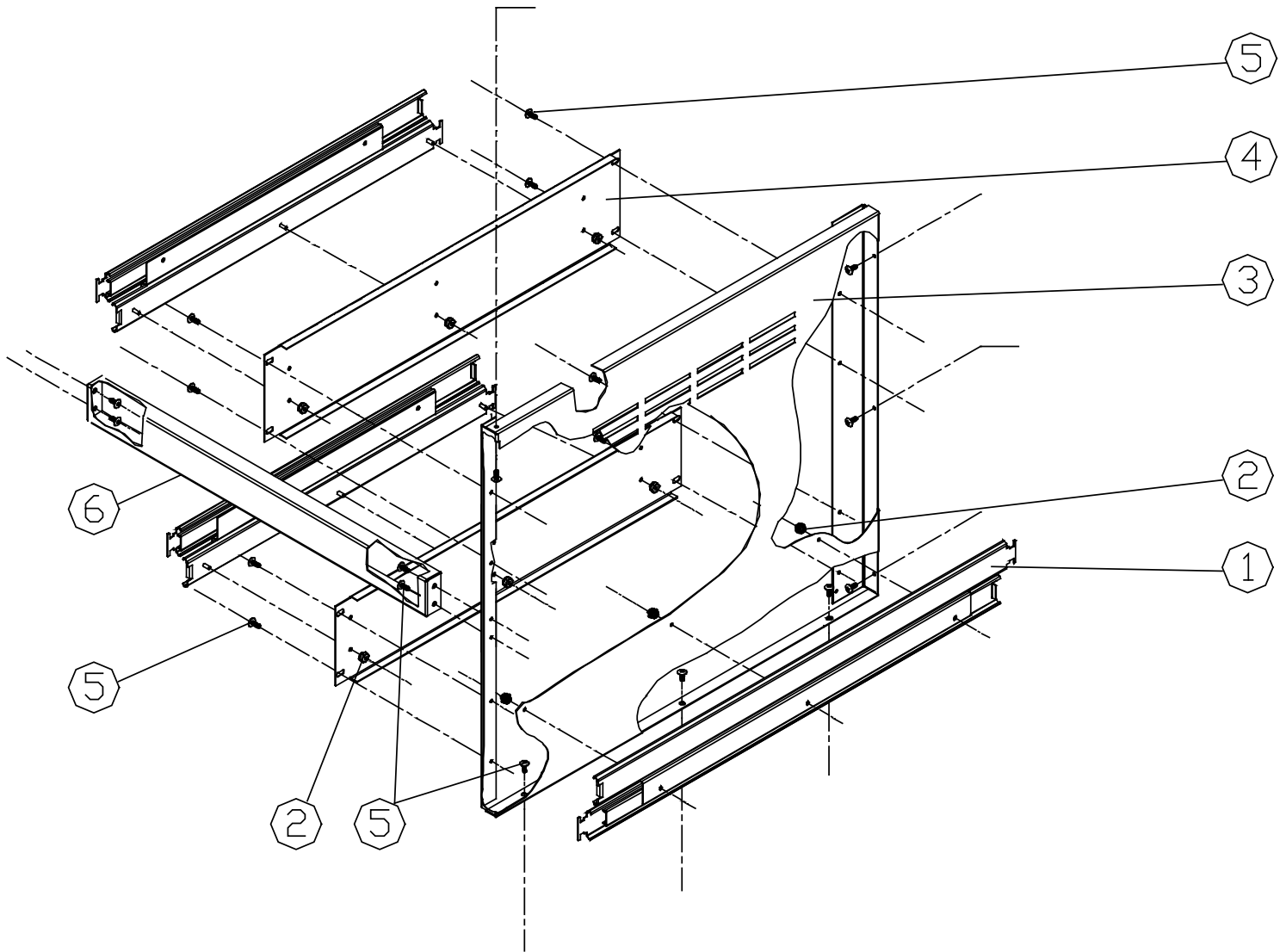
OGC36 Grill Cart Left Panel



| Item | Part # | Description |
|------|--------|----------------------------|
| 1 | 72207 | Slide Rail Set |
| 2 | 46086 | Slide Mount Drawer Channel |
| 3 | 83684 | Screw, 10-24 X 4/2 Truss |
| 4 | 83192 | Keps Nut, #8-32 |

| Item | Part # | Description |
|------|--------|----------------------------|
| 5 | 36283 | Cart |
| 6 | 83676 | 3/8 x 3/8 SS Shoulder Bolt |
| 7 | 27871 | Cart Side Shelf |
| 8 | 27882 | Left Side Shelf Break Assy |

OGC36 Grill Cart Drawer Divider



| Item | Part # | Description |
|------|--------|-----------------------------|
| 1 | 72207 | Slide Rail Set |
| 2 | 83192 | Keps Nut, #8-32 |
| 3 | 36597 | Drawer Divider |
| 4 | 46086 | Drawer Channel, Slide Mount |
| 5 | 83684 | Screw, 10-24 X 4/2 Truss |
| 6 | 46117 | Main Channel |