

dacor

LET THE SHOW BEGIN

PARTS CATALOG

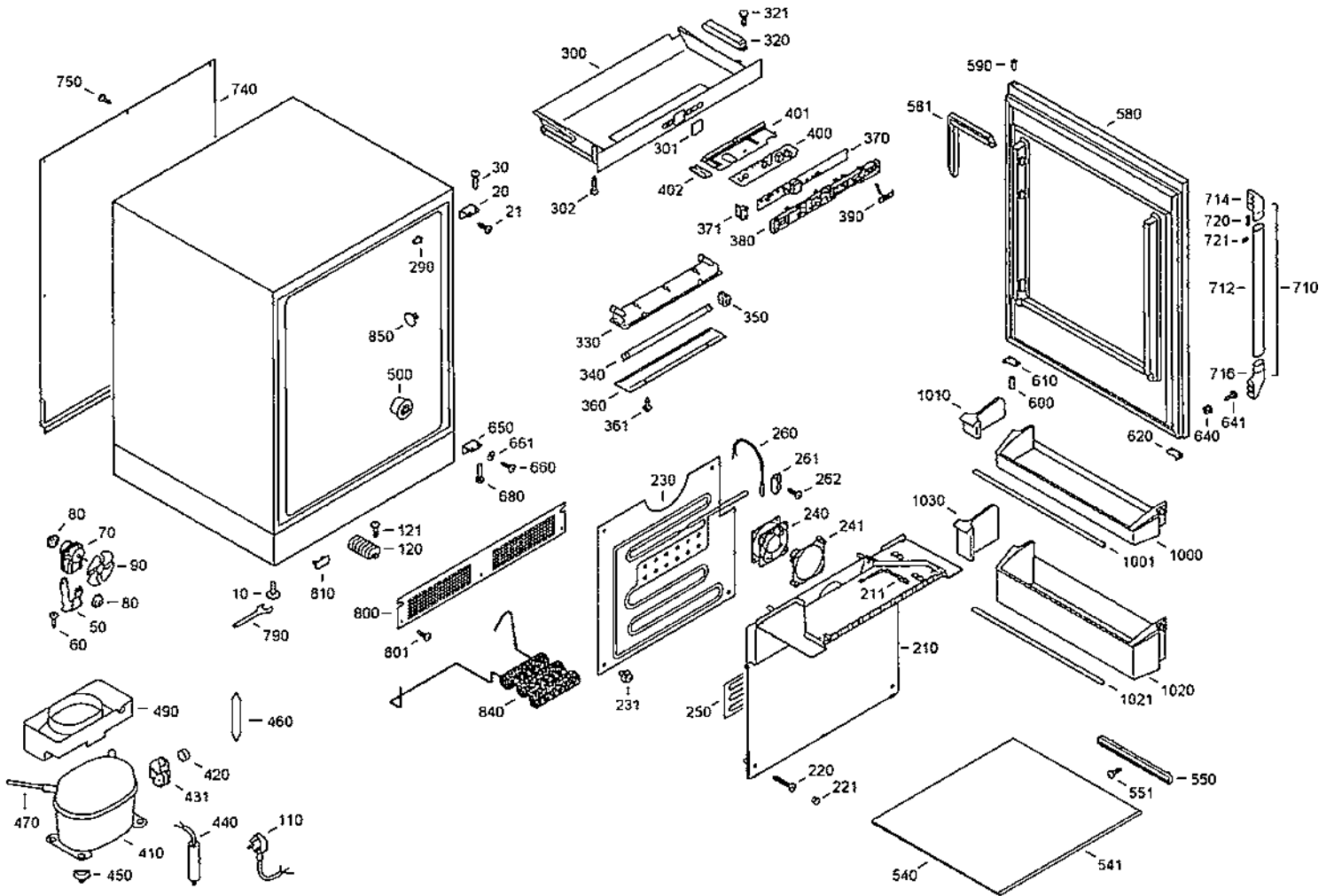
OF24

Page #

Sheet Title

| Page # | Sheet Title |
|---------------|----------------------------|
| 1 | OF24 Assembly |
| 2 | OF24 Parts (Page 1) |
| 3 | OF24 Parts (Page 2) |

OF24 Assembly



| Ref # | Description | Dacor Part # |
|-------|---|--------------|
| 10 | Adjusting Screw (Leg) | 106113 |
| 20 | Steel Bearing Block (Bracket) | 106114 |
| 21 | Oval-Head Screw (6x15) | 106115 |
| 30 | Bolt | 101812 |
| 50 | Special Securing Hardware (Fan Bracket) | 101863 |
| 60 | Thread-Cutting Screw (Fan Bracket) | 101755 |
| 70 | Compact Fan | 106116 |
| 80 | Buffer, Fan | 101815 |
| 90 | Fan Blade | 101794 |
| 110 | Power Cord | 106117 |
| 120 | Distributor Strip | 101776 |
| 121 | Oval-Head Self-Tapping Screw (3.9x19) | 106118 |

| Ref # | Description | Dacor Part # |
|--------------|---|--------------|
| 210 | Various Plates (Back Partition Plate) | 101841 |
| 211 | Air Sensor for Refrigerator Compartment | 101803 |
| 220 | Oval-Head Wood Screw | 101769 |
| 221 | Plug | 101840 |
| 230 | Evaporator - Freezing | 106119 |
| 231 | Evaporator Fixture | 101825 |
| 240 | Compact Fan | 106120 |
| 241 | Special Securing Hardware (Ventilator) | 101817 |
| 250 | Alum. Heating Strip (115v, 30w) | 106121 |
| 260 | Evaporator Sensor For Refrigerator | 101802 |
| 261 | Sensor Retaining Fixture | 106122 |
| 262 | Oval-Head Self-Tapping Screw (3.5x9.5) | 106123 |
| 290 | Stop (Pref. Metal Plate) | 101820 |
| 300 | Operating Panel Housing | 106124 |
| 301 | Display Trim | 101848 |
| 302 | Oval-Head Wood Screw | 101769 |
| 320 | Ballast Units (120v, 60Hz) | N/A |
| 321 | Special Wood Screw (B 3.5x9 A2M) | 101766 |
| 330 | Fluorescent Lamp Housing | N/A |
| 340 | Fluorescent Tubes | 101777 |
| 350 | Lamp Holder | 101780 |
| 360 | Cover, Fluorescent Lamp | 101833 |
| 361 | Oval-Head Self-Tapping Screw (3.5x9.5) | 101758 |
| 370 | Power Board | 106125 |
| 371 | Sensor Retaining Fixture | 101829 |
| 380 | Various Retaining Fixtures (Bracket, Board) | 101827 |
| 390 | Reed Board | 101789 |
| 400 | Power Board | 106126 |
| 400* | Power Board w/ Amb Temp Sensor* | 106415* |
| - | Amb. Temperature Sensor (Not Shown) | 106192 |
| 401 | Various Retaining Fixtures (Bracket, Board) | 101842 |
| 402 | Various Retaining Fixtures (Bracket, Board) | 101832 |
| 410 | Compressor R (134a, 115v, 60Hz) | 106127 |
| 420 | Safety Temperature Limiter (For Compressor) | 106128 |
| 431 | Relay, Compressor | 106129 |
| 440 | Capacitor (250v, 12mf) | 106130 |
| 450 | Special Securing Hardware (Compressor Clip) | 101821 |
| 460 | Dryer | 106131 |
| 470 | Pipe, Compressor 6x130 | 101846 |
| 490 | Evaporator Trays | 106132 |
| * TBA | | |

| Ref # | Description | Dacor Part # |
|-------------|--|--------------|
| 500 | Charcoal Filter | 101844 |
| 540 | Glass Plate - Complete | 106133 |
| 541 | Trim Strip Profile (for glass plate) | 106134 |
| 550 | Fastening (Fastener, Retaining) | 101838 |
| 551 | Oval-Head Wood Screw (4x14 FGS) | 101767 |
| 580A | Door, Cavity-Foamed, LT | 106135 |
| 580B | Door, Cavity-Foamed, RT | 106905 |
| 581 | Gasket Exchangeable (Door Gasket, Magnetic) | 106136 |
| 590 | Bushing, Upper Door | 106137 |
| 600 | Sleeve, Upper, Hinge Bolt | 101748 |
| 620 | Bushing, Door Hinge | 102134 |
| 640 | Bushing, Door | 101850 |
| 641 | Counter-Sunk Screw | N/A |
| 650 | Bearing Block (Bracket) | 106138 |
| 660 | Oval-Head Screw (6 x 15) | 106115 |
| 661 | Washer, Door Hinge (10 x 6.2 x 1.0) | 101855 |
| 680 | Bolt (Door) | 101812 |
| 710 | Moulded Handle (Handle/Support Asy.) | N/A |
| 712 | Moulded Handle (Handle Tube) | 76052 |
| 714 | Moulded Handle (Upper Hndl Support) | N/A |
| 716 | Moulded Handle (Lower Hndl Support) | N/A |
| 720 | Oval-Head Screw | 102131 |
| 740 | Rear Panel | 106140 |
| 750 | Oval-Head Self-Tapping Screw (3.9x13) | 106141 |
| 790 | Key (Open End Wrench) | 106142 |
| 800 | Cover Panel | 106143 |
| 801 | Screw in Acc. w/ Drawing | 101765 |
| 810 | Cover Plate | 106144 |
| 840 | Condenser Spiral | 101772 |
| 850 | Cover For Drill Hole (Plug) | 106145 |
| 1000 | Storage Rack, Studded, Shallow | 106146 |
| 1001 | Trim Strip Profiles, Storage Rack, Shallow | 106147 |
| 1010 | Various Retaining Fixtures (Brackets, Shallow) | 106148 |
| 1020 | Storage Rack, Studded, Deep | 106149 |
| 1021 | Trim Strip Profile, Storage Rack, Deep | 106147 |
| 1030 | Various Retaining Fixtures (Brackets, Deep) | 106150 |