

# **dacor**®

The Life of the Kitchen.®

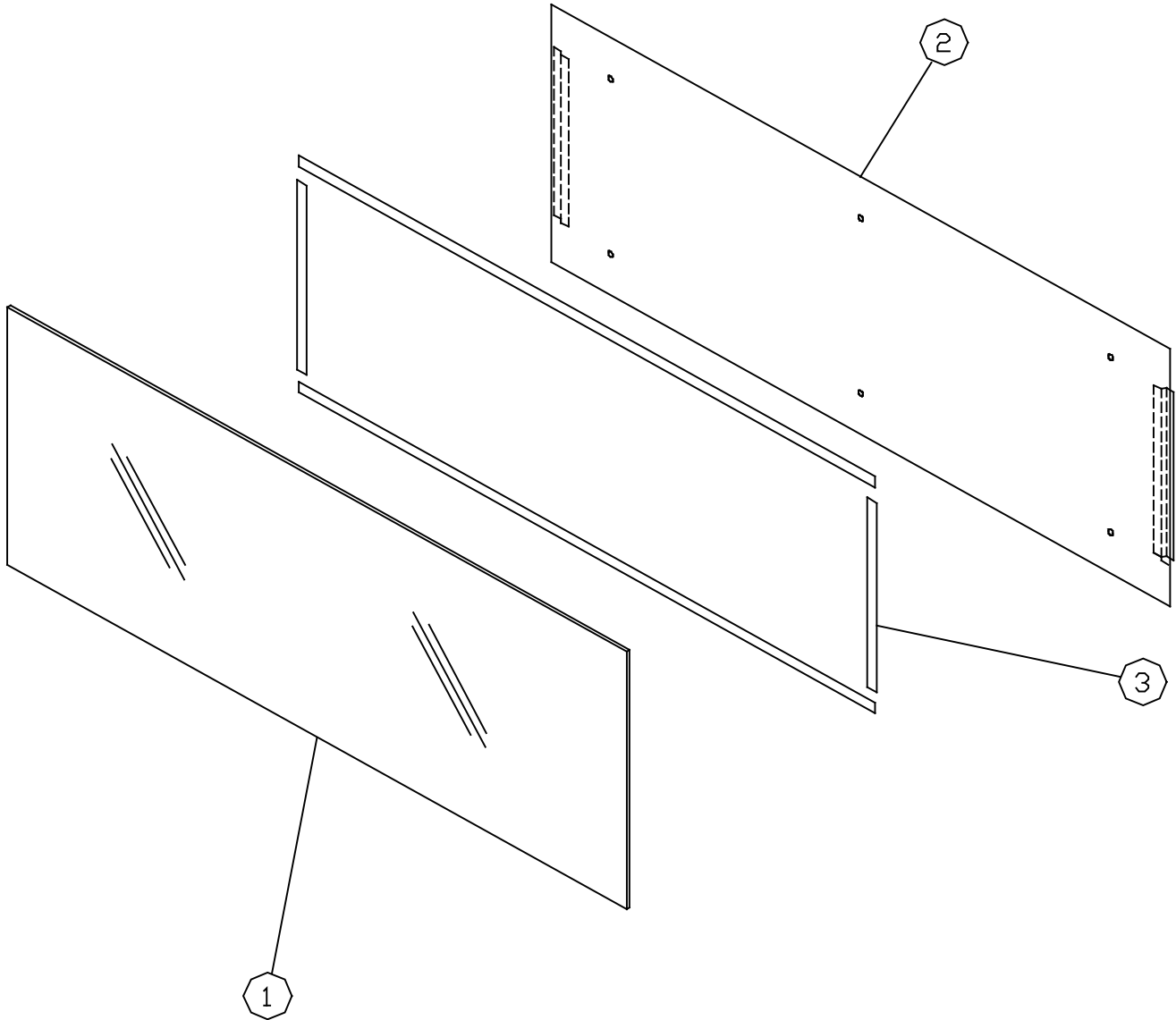
## **PARTS CATALOG**

### **MWO Warming Drawer**

<b>Page</b>	<b>Description</b>
<b>2</b>	<b>Glass Backing Panel Assembly</b>
<b>3</b>	<b>Drawer Assembly</b>
<b>4</b>	<b>Front Frame Assembly</b>
<b>5</b>	<b>Chassis Bottom</b>
<b>6</b>	<b>Chassis Top</b>

Revised 08-18-2014

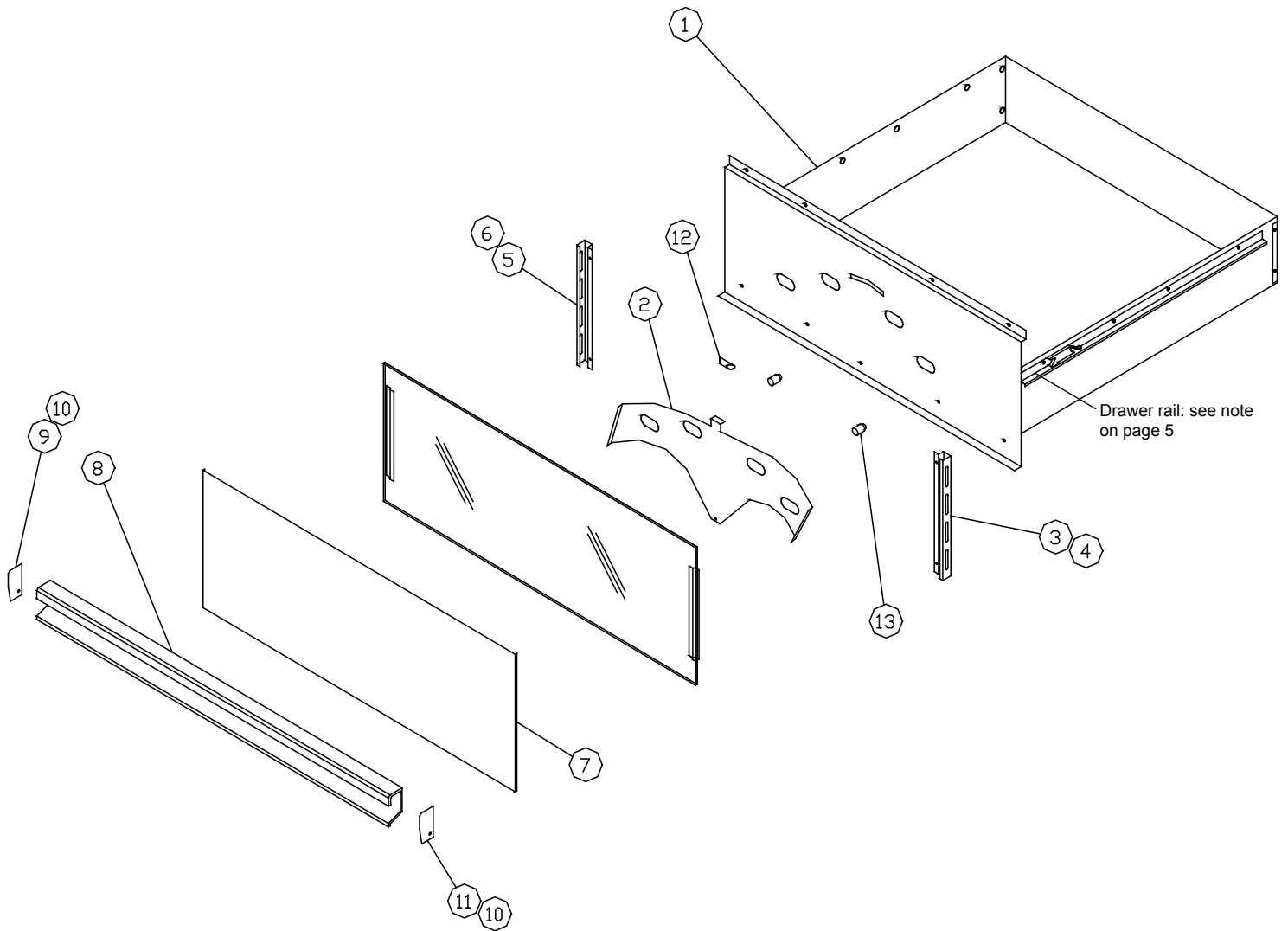
# MWO - Backing Panel Assy



Item	Description	MWO27	MWO30
<b>1</b>	DRAWER FRONT GLASS	62726B,R	62727B,R
<b>2</b>	GLASS BACKING PANEL	27617B,R	27618B,R
<b>3</b>	DOUBLE SIDE TAPE	83224	83224

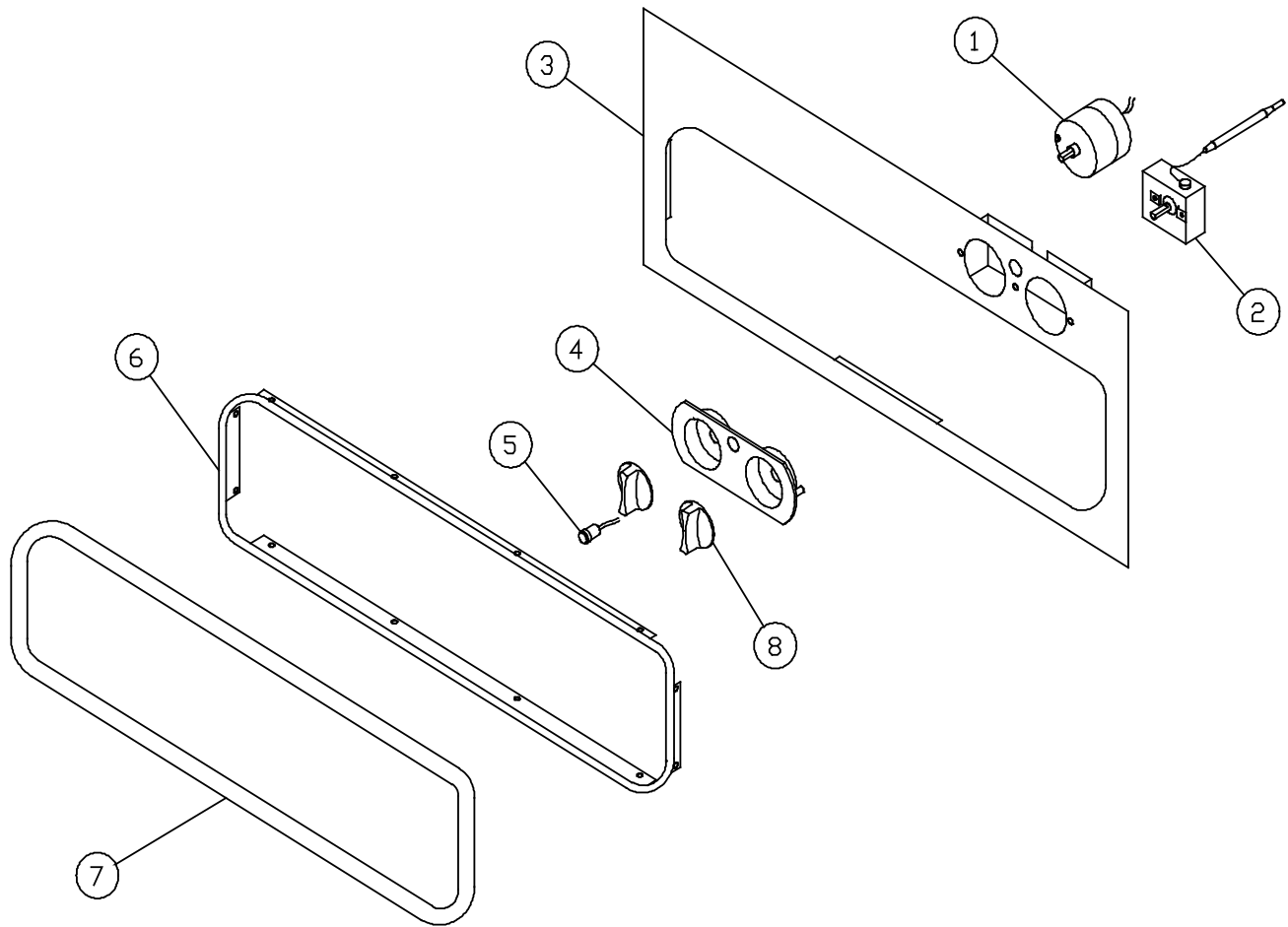
Color Key: B = black, R = arctic, S= Stainless

# MWO - Drawer Assembly



Item	Description	MW027	MW030
<b>1</b>	DRAWER ASSEMBLY	13419	13420
<b>2</b>	MOIST/CRISP SLIDE	36454	36454
<b>3</b>	RH SIDE POST (STAINLESS)	36345	36345
<b>4</b>	RH SIDE POST (BLK/ART)	36456B,R	36456B,R
<b>5</b>	LH SIDE POST (STAINLESS)	36455	36455
<b>6</b>	LH SIDE POST (BLK/ART)	36457B,R	36457B,R
<b>7</b>	DRAWER SKIN (STAINLESS)	36346	36347
<b>8</b>	HANDLE	62703B,R,S	62704B,R,S
<b>9</b>	END CAP, LEFT (STAINLESS)	36307	36307
<b>10</b>	END CAP, LEFT/RIGHT (BLK/ART)	36433B,R	36433B,R
<b>11</b>	END CAP, RIGHT (STAINLESS)	36308	36308
<b>12</b>	DAMPER KNOB	82415B	82415B
<b>13</b>	RUBBER BUMPER	83578	83578

# MWO - Front Frame Assembly

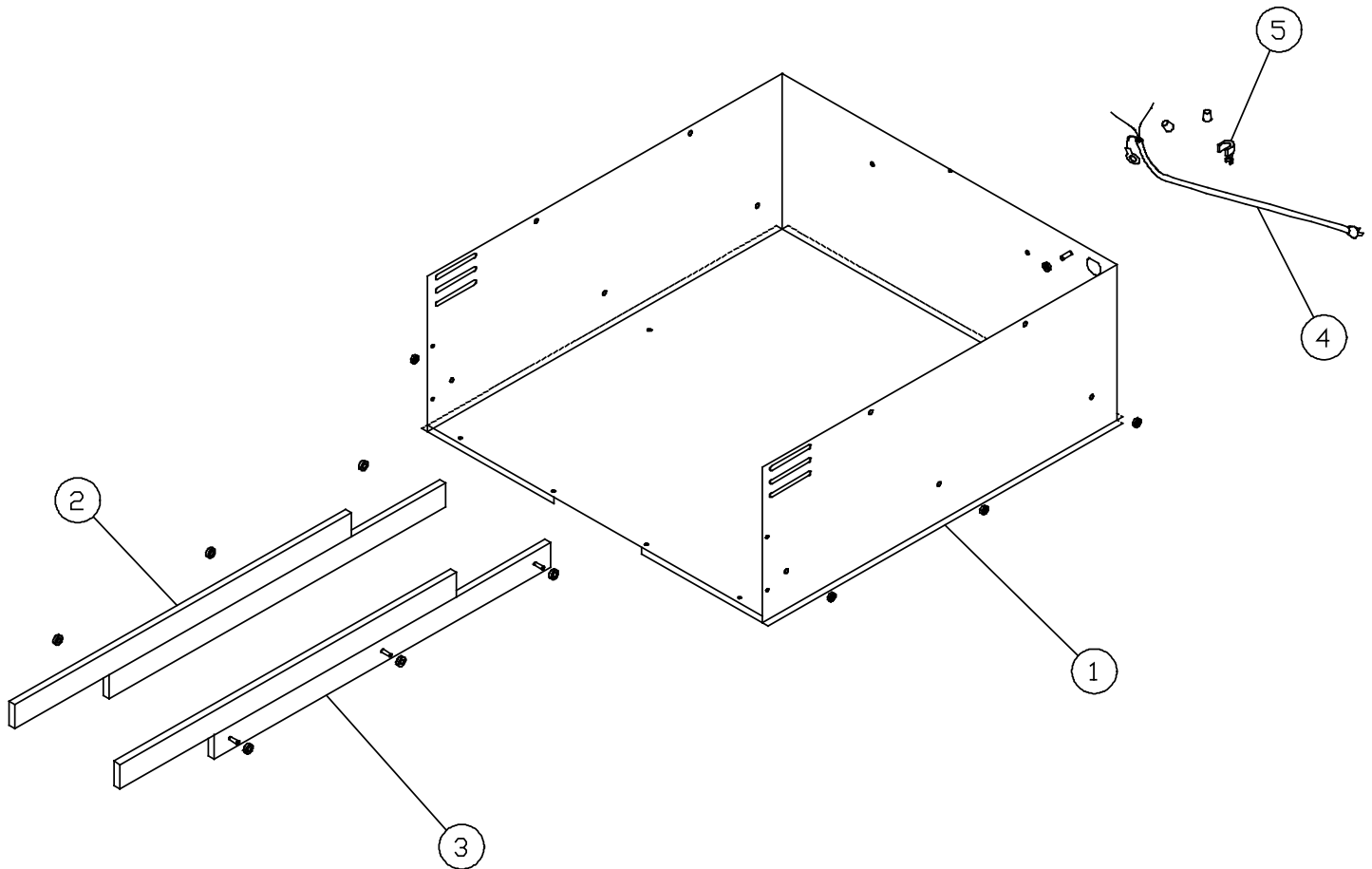


Item	Description	MWO27	MWO30
1	TIMER ASSEMBLY	72889 <sup>1</sup>	72889 <sup>1</sup>
2	THERMOSTAT	62734	62734
3	FRONT FRAME	27216B,R	27142B,R
4	CONTROL PANEL BEZEL	62786B,G	62786B,G
5	OVERRIDE SWITCH	72880 <sup>1</sup>	72880 <sup>1</sup>
6	GASKET RETAINING TRIM	26681	26681
7	DRAWER GASKET	82280G	82280G
8	TIMER/TEMP CONTROL KNOB	82267B/G	82267B/G

Color Key: B = black, R = arctic,

<sup>1</sup>Timer switch and override switch must be replaced at the same time. Order kit # 701444.

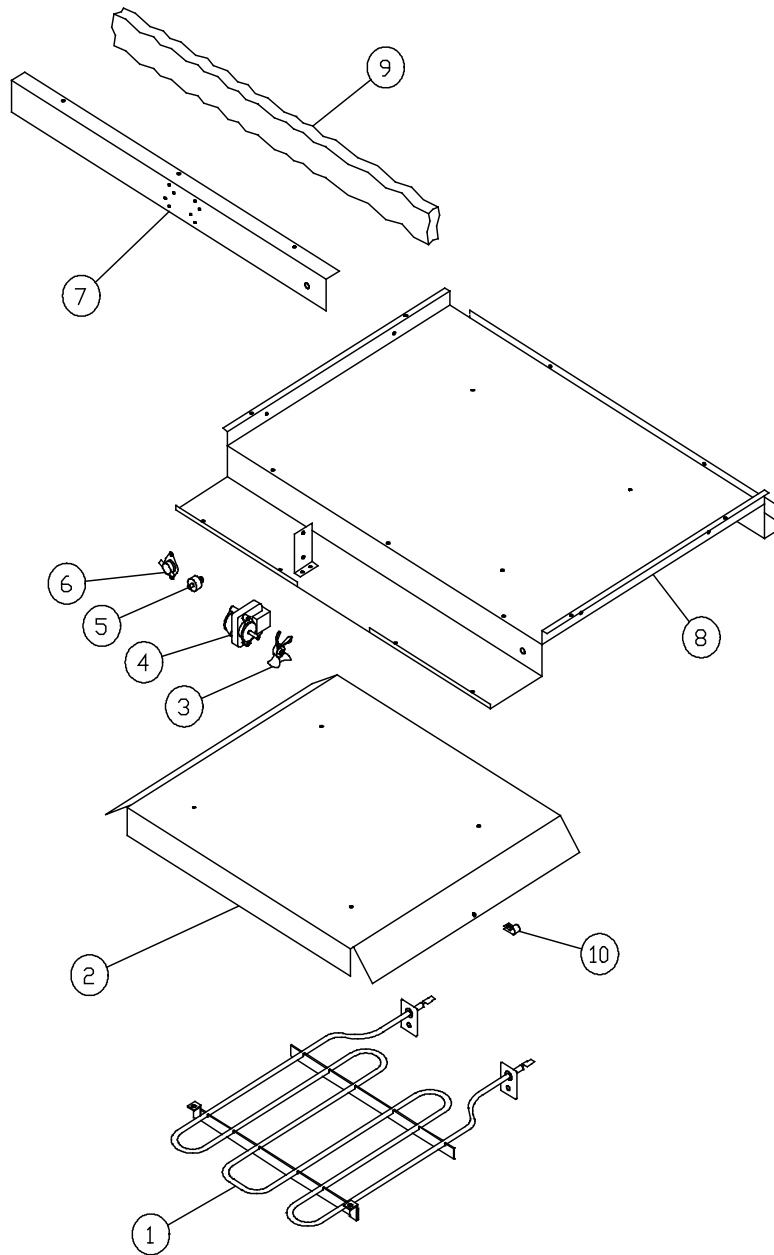
# MWO - Chassis Bottom



Item	Description	MWO27	MWO30
1	CABINET WELDMENT	27204	27204
2	SLIDE KIT*	702146	702146
3			
4	POWER SUPPLY CORD	82562	82562
5	STRAIN RELIEF BUSHING	83141	83141

\* The original slides for this appliance have been discontinued. Slide kit 702146 includes 2 new slides of a different design. Installation of the new slides requires replacement of the drawer rails (also included, see page 3 for location) for a proper fit.

# MWO - Chassis Top



Item	Description	MW027	MW030
<b>1</b>	HEATING ELEMENT	82351	82351
<b>2</b>	REFLECTOR	26668	26668
<b>3</b>	COOLING FAN BLADE	82277	82277
<b>4</b>	COOLING FAN MOTOR	82276	82276
<b>5</b>	HIGH TEMPERATURE LIMIT	82353	82353
<b>6</b>	THERMAL FAN SWITCH	82354	82354
<b>7</b>	INSULATION COVER	26673	26673
<b>8</b>	TOP CAN ASSEMBLY	27222	27222
<b>9</b>	CONTROL INSULATION	82627	82627
<b>10</b>	THERMOSTAT CLIP	83436	83436