

The Dacor logo is rendered in a bold, italicized, sans-serif font with a metallic, 3D effect. The letters are dark with a lighter, reflective highlight on the top and left sides, giving it a sleek, modern appearance. A registered trademark symbol (®) is located to the right of the logo.

dacor

The Life of the Kitchen.®

A photograph of a white Dacor MMDV30S microwave-in-a-drawer unit installed in a kitchen cabinet. The unit is integrated into the countertop and has a stainless steel front panel with a control panel on the right side. The background shows a typical kitchen setting with various items on the counter and cabinets.

PARTS CATALOG

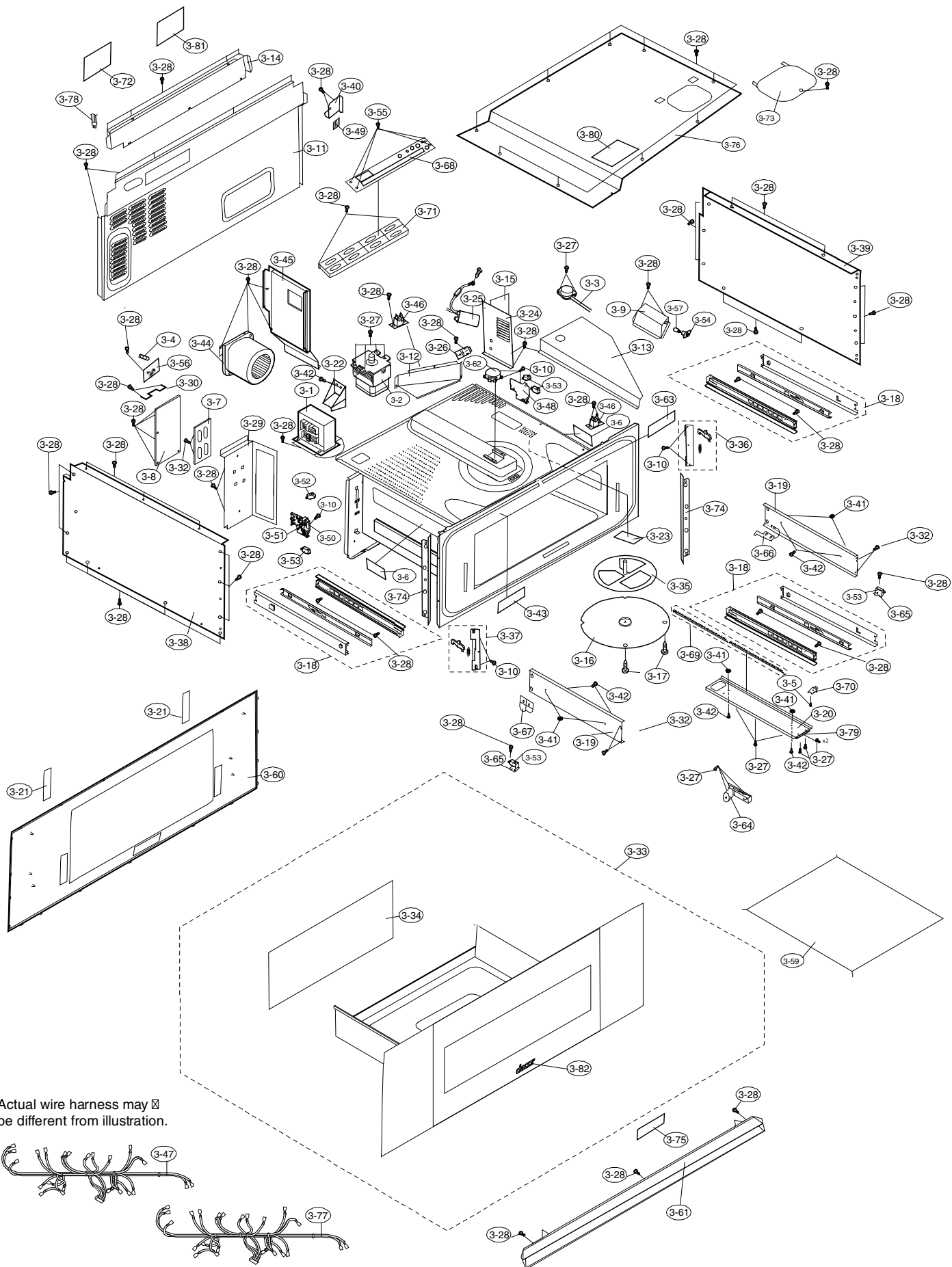
MMDV30S

Microwave-in-a-Drawer

Page	Description
2	Chassis Assembly
3	Chassis Parts
4	Base Assembly
5	Control Panel Parts

Revised 06-14-2012

MMDV30 Chassis Assembly



MMDV30S Chassis Parts

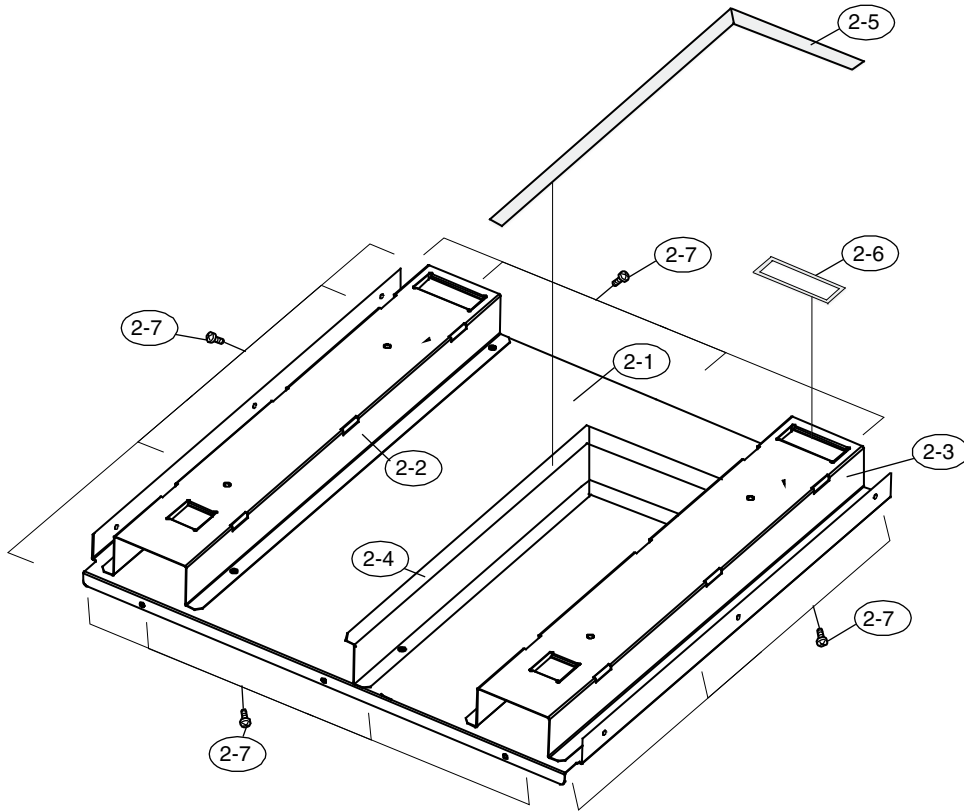
Item	Part #	Description
3-1	106036	Transformer
3-2	101214	Magnetron
3-3	101215	Sensor Assy
3-4	66006	Monitor Switch Assy
3-5	101216	Screw
3-6	101217	Monitor Caution Label
3-7	101218	Power Supply Unit Holder
3-8	101219	Power Supply
3-9	101220	Oven Lamp Angle
3-10	86820	Screw/Washer
3-11	101221	Back Plate
3-12	101222	Mag Duct
3-13	101223	Sensor Duct
3-14	101224	Exhaust Duct A
3-15	101225	Exhaust Duct B
3-16	66668	Stir Cover Assy
3-17	66214	Canoe Clip
3-18	101226	Slide Rail
3-19	101227	Door Support Angle A
3-20	106043	Door Support Angle B
3-21	101229	Door Support Cover
3-22	101230	Magnetron Air Guide
3-23	66227	Lamp Filter
3-24	101231	Partition Angle
3-25	101232	HVC Asy.
3-26	86817	HVC Band
3-27	101233	Screw
3-28	101234	Screw
3-29	101235	Partition Angle, Left
3-30	101236	Noise Unit Angle
3-31	101237	Screw
3-32	101238	Power Unit Asy. Screw
3-33	101239	Door Assy (MMDV30S)
3-34	101241	Sealer Film
3-35	66674	Stirrer Fan Assy
3-36	101242	Latch Angle Assy Right
3-37	101243	Latch Angle Assy Left
3-38	101244	Side Cabinet, Left
3-39	101245	Side Cabinet, Right
3-40	101246	Air Cover
3-41	101247	Cap Nut
3-42	101248	Screw
3-43	101249	Stirrer Cover Cleaning Label

Item	Part #	Description
3-44	101250	Fan Motor
3-45	101251	Fan Motor Angle
3-46	76230	Thermal Cut-Out
3-47	101252	Harness Assy
3-48	101253	Latch Hook, Right
3-49	101254	Cushion
3-50	101255	Latch Hook, Left
3-51	101256	Switch Level, Left
3-52	N/A	Monitor Switch (Order #3-4)
3-53	66236	Switch
3-54	76232	Lamp Socket
3-55	101257	Screw
3-56	101258	Noise Filter Unit
3-57	101259	Oven Lamp
3-58	N/A	(Not Used)
3-59	101260	Oven Tray Assy
3-60	101261	Choke Cover
3-61	101262	Louver
3-62	101263	Stirrer Motor
3-63	101264	Menu Label
3-64	101265 ¹	Auto Drawer Gear Assy ¹
	106021 ²	Auto Drawer Gear Assy ²
3-65	101266	Switch Angle
3-66	101267	Actuator, Right
3-67	101268	Actuator, Left
3-68	101269 ¹	SW Power Supply
	106022 ²	SW Power Supply
3-69	101270 ¹	Rack Gear
	106023 ²	Rack Gear
3-70	101271 ¹	Door Support Roller Assy
	N/A	Included with item 3-64 starting with SN XC07390046
3-71	101272	Switch PSU Holder
3-72	101273	DHHS Caution Label
3-73	101274	Cover
3-74	101275	Side Angle
3-75	101276	Consumer Warning Label
3-76	101277	Top Cover
3-77	101278	CPU Harness
3-78	101279	Power Supply Cord
3-79	106043	Door Support Angle
3-80	101281	Schematic Diagram
3-81	101282	NHW Caution Label
-	101285	Wood Mounting Screws (not shown)

¹ Before SN XC07390046

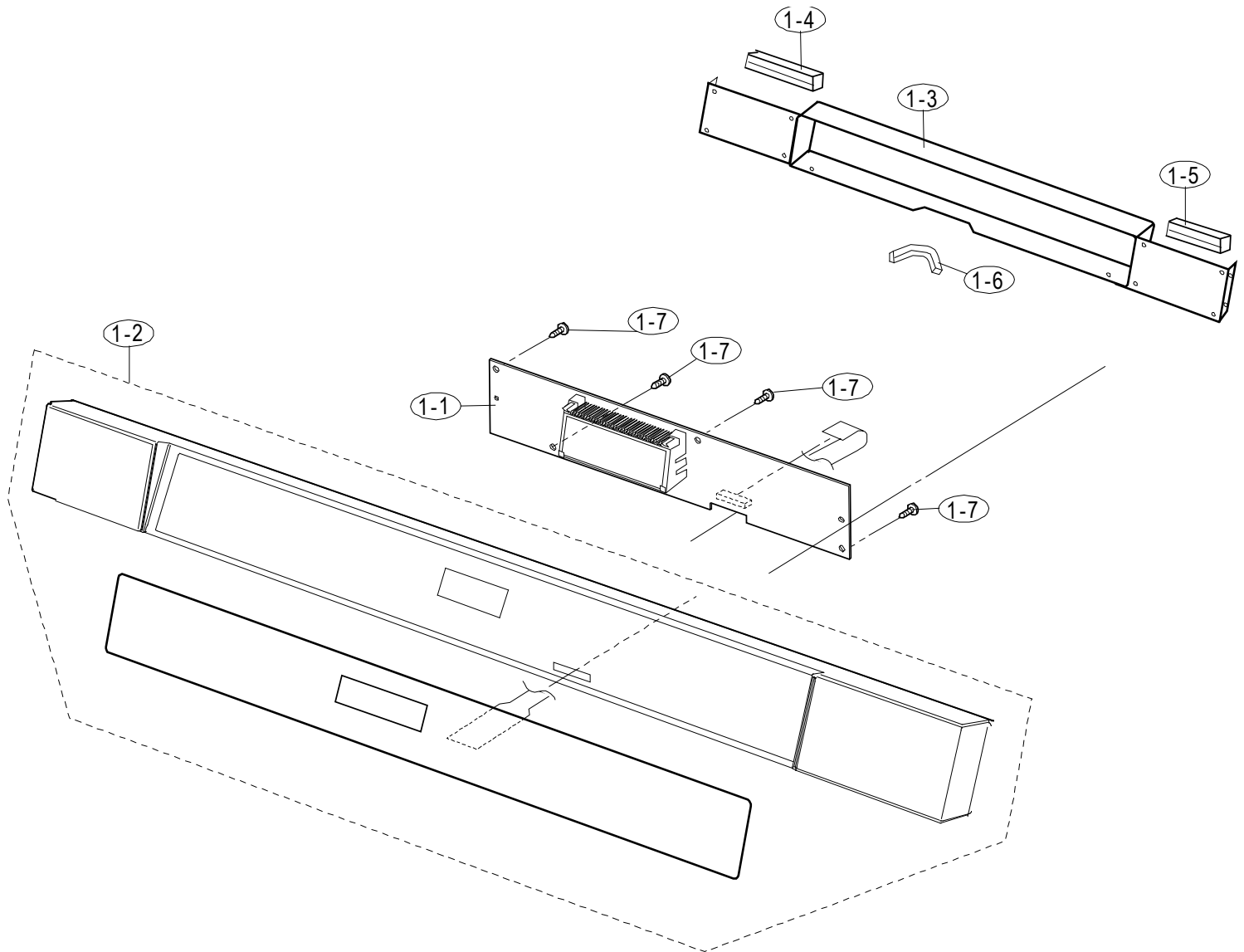
² Starting with SN XC07390046

MMDV30S Base Assembly



Item	Part #	Description
2-1	101206	Bottom Cover
2-2	101207	Air Guide, Left
2-3	101208	Air Guide, Right
2-4	101209	Partition Angle
2-5	101210	Bottom Cushion A
2-6	101211	Bottom Cushion B
2-7	101212	Screw

MMDV30S Control Panel Parts



Item	Part #	Description
1-1	101199 ¹	Control Unit
	106024 ²	Control Unit
1-2	101200	Control Panel Frame
1-3	101202	Control Panel Cover
1-4	101203	Control Panel Cushion
1-5	101204	Control Panel Cushion
1-6	101205	Control Panel Cushion
1-7	86780	Screw

¹ Before SN XC07390046

² Starting with SN XC07390046