



The Life of the Kitchen.®

A faded background image of a kitchen featuring a white Dacor stove with a microwave-in-a-drawer unit. The words "PARTS CATALOG" are overlaid in large, semi-transparent, 3D-style letters.

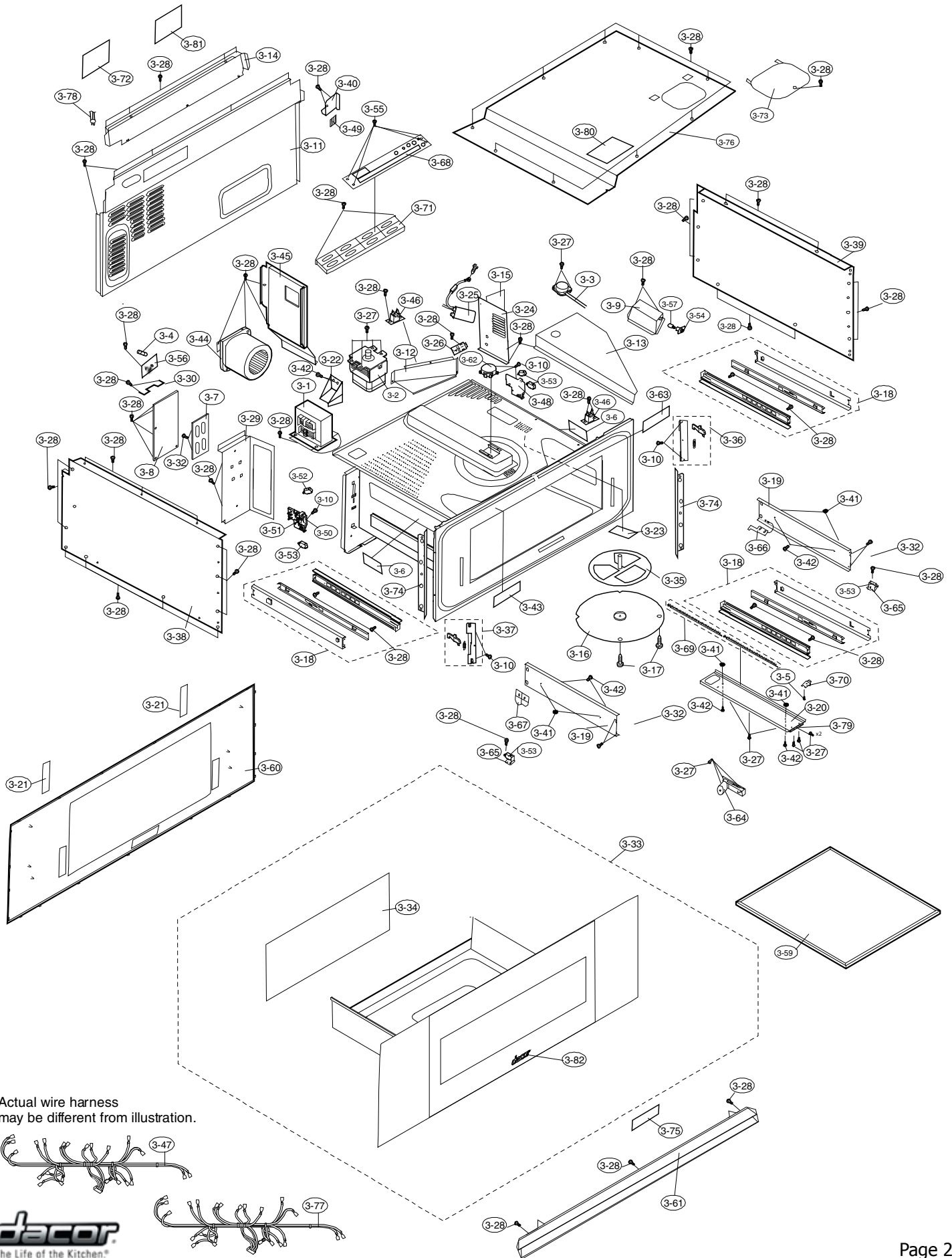
**PARTS
CATALOG**

MMD30 Microwave-In-A-Drawer

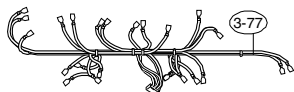
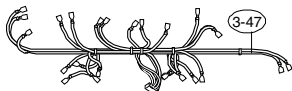
Page #	Description
2	Drawer Parts
3	Drawer Parts List
4	Bottom Cover Parts
5	Control Panel Parts
6	Packaging Parts

Revised 06-01-2012

MMD30 - Drawer Parts



Actual wire harness
may be different from illustration.



MMD30 - Drawer Parts List

Item	Part #	Description
3-1	101213	Transformer
3-2	101214	Magnetron
3-3	101215	Sensor Asy.
3-4	66006	Monitor Switch Asy.
3-5	101216	Screw
3-6	101217	Monitor Caution Label
3-7	101218	Power Supply Unit Holder
3-8	101219	Power Supply
3-9	101220	Oven Lamp Angle
3-10	86820	Screw/Washer
3-11	101221	Back Plate
3-12	101222	Mag Duct
3-13	101223	Sensor Duct
3-14	101224	Exhaust Duct A
3-15	101225	Exhaust Duct B
3-16	66668	Stir Cover Asy.
3-17	66214	Canoe Clip
3-18	101226	Slide Rail
3-19	101227	Door Support Angle A
3-20	106205	Door Support Angle B
3-21	101229	Door Support Cover
3-22	101230	Magnetron Air Guide
3-23	66227	Lamp Filter
3-24	101231	Partition Angle
3-25	101232	HVC Asy.
3-26	86817	HVC Band
3-27	101233	Screw
3-28	86905	Screw
3-29	101235	Partition Angle, Left
3-30	101236	Noise Unit Angle
3-31	106060	Screw
3-32	101238	Power Unit Asy. Screw
3-33	106206	Door Asy. (MM30S)
	106207	Door Asy. (MM30B)
3-34	101241	Sealer Film
3-35	66674	Stirrer Fan Asy.
3-36	101242	Latch Angle Asy, Right
3-37	101243	Latch Angle Asy, Left
3-38	101244	Side Cabinet, Left
3-39	101245	Side Cabinet, Right
3-40	101246	Air Cover
3-41	101247	Cap Nut

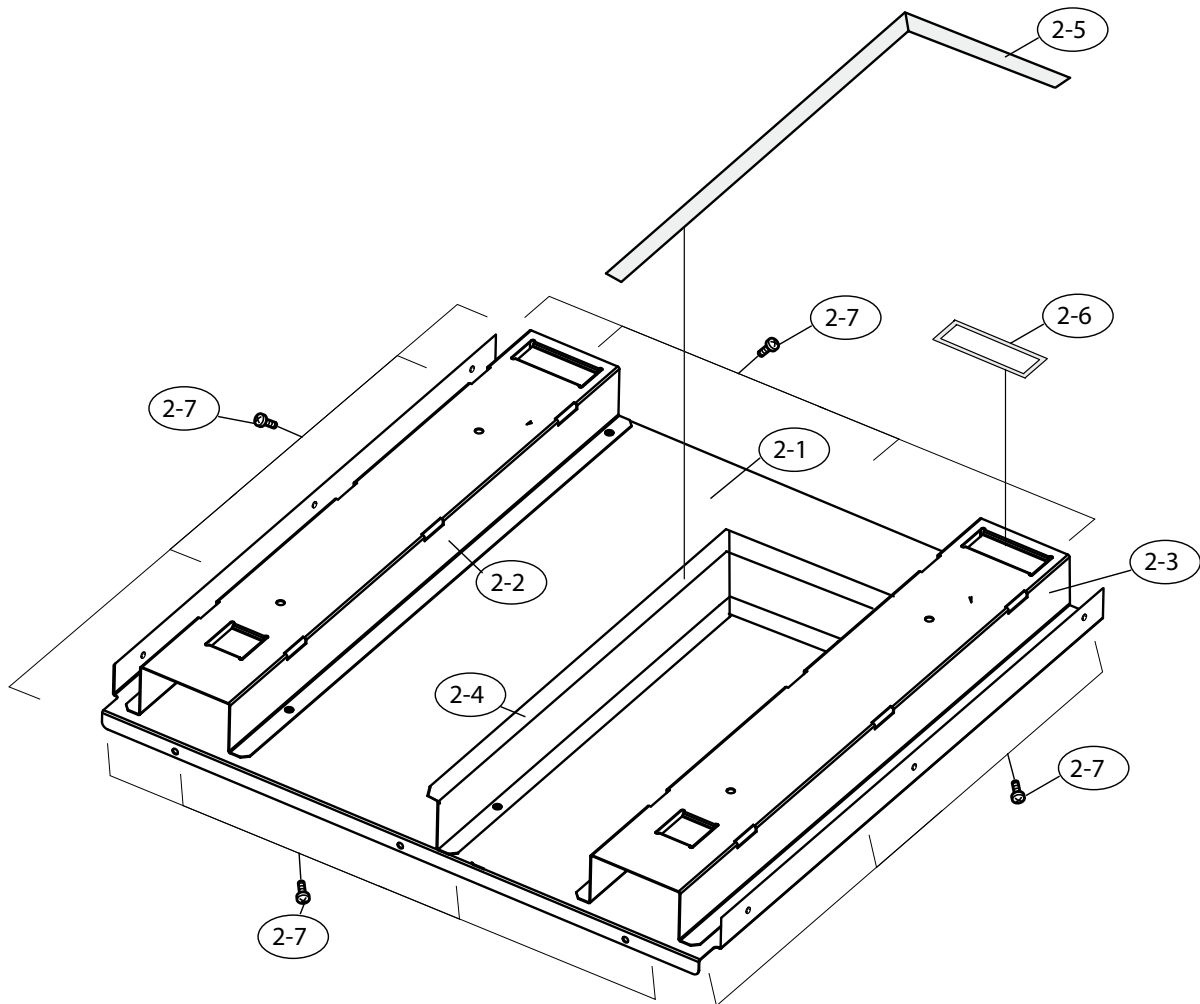
Item	Part #	Description
3-42	101216	Screw
3-43	101249	Stirrer Cover Cleaning Label
3-44	101250	Fan Motor
3-45	101251	Fan Motor Angle
3-46	76230	Thermal Cut-Out
3-47	101252	Harness Asy.
3-48	101253	Latch Hook, Right
3-49	101254	Cushion
3-50	101255	Latch Hook, Left
3-51	101256	Switch Level, Left
3-52	N/A	Monitor Switch (Order #3-4)
3-53	66236	Switch
3-54	76232	Lamp Socket
3-55	86780	Screw
3-56	101258	Noise Filter Unit
3-57	101259	Oven Lamp
3-58	N/A	(Not Used)
3-59	101260	Oven Tray Asy.
3-60	106208	Choke Cover
3-61	106209	Louver (MMD30S)
	106210	Louver (MMD30B)
3-62	101263	Stirrer Motor
3-63	101264	Menu Label
3-64	101265*	Auto Drawer Gear Assy.*
3-65	101266	Switch Angle
3-66	101267	Actuator, Right
3-67	101268	Actuator, Left
3-68	106211	SW Power Supply
3-69	101270**	Rack Gear**
3-70	86819	Screw
3-71	101272	Switch PSU Holder
3-72	101273	DHHS Caution Label
3-73	101274	Cover
3-74	101275	Side Angle
3-75	101276	Consumer Warning Label
3-76	101277	Top Cover
3-77	101278	CPU Harness
3-78	101279	Power Supply Cord
3-79	101280	Door Support Angle
3-80	106212	Schematic Diagram
3-81	101282	NHW Caution Label
3-82	106073	Badge

* Use # 106021 after S/N XC7390046

**Use # 106023 after S/N XC7390046

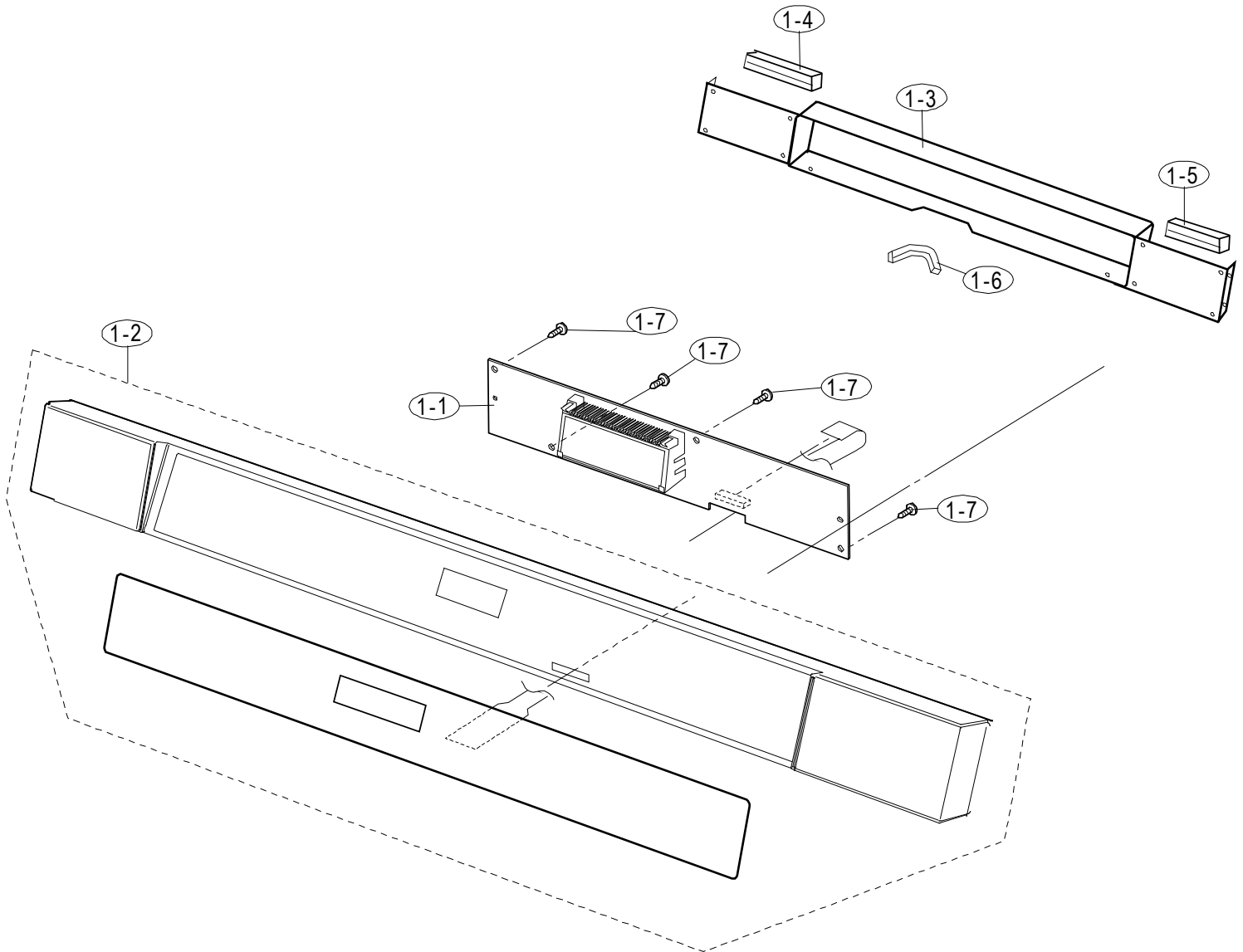


MMD30 - Bottom Cover Parts



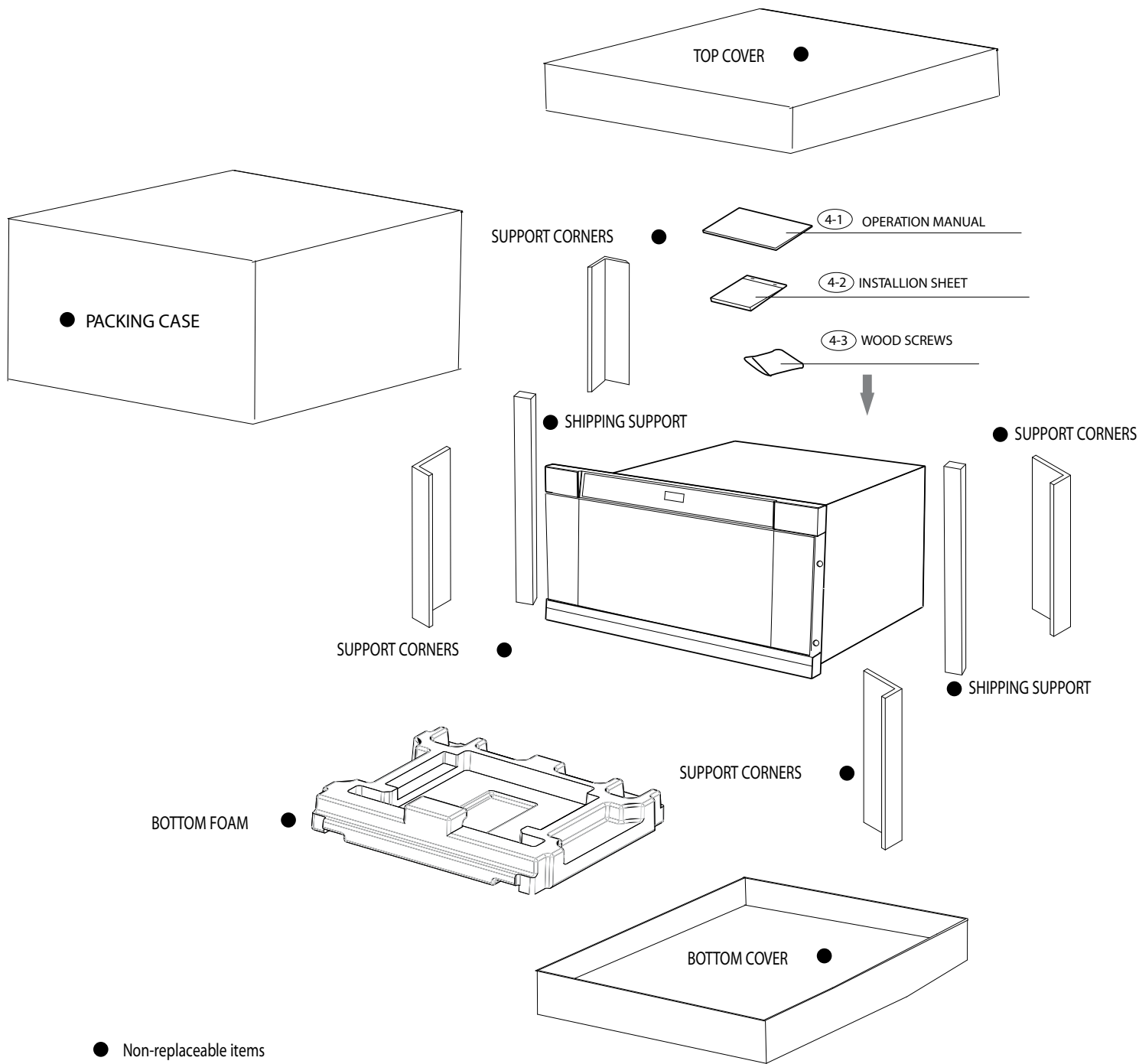
Item	Part #	Description
2-1	101206	Bottom Cover
2-2	101207	Air Guide, Left
2-3	106030	Air Guide, Right
2-4	101209	Partition Angle
2-5	101210	Bottom Cushion A
2-6	101211	Bottom Cushion B
2-7	101216	Screw

MMD30 - Control Panel Parts



Item	Part #	Description
1-1	101199*	Control Unit*
1-2	101200	Control Panel Frame Asy. (MMD30S)
1-2	106213	Control Panel Frame Asy. (MMD30B)
1-3	101202	Control Panel Cover
1-4	101203	Control Panel Cushion
1-5	101204	Control Panel Cushion
1-6	86836	Control Panel Cushion
1-7	86780	Screw
*Use 106024 after S/N XC7390046;		

MMD30 - Packaging Parts



Item	Part #	Description
4-1	N/A	Operation Manual
4-2	101284	Installation Sheet
4-3	101285	Wood Screws