

The Dacor logo is rendered in a bold, italicized, sans-serif font with a metallic, 3D effect. The letters are dark with a lighter, reflective highlight on the top and left sides, giving it a sleek, modern appearance. A registered trademark symbol (®) is located at the end of the word.

dacor

The Life of the Kitchen.®

A faded background image of a kitchen featuring a Dacor METB365-1 cooktop. The cooktop is a stainless steel gas model with six burners and a control panel on the left. A white bowl sits on the cooktop, and a large pot is on the right burner. The kitchen has wooden cabinets and a countertop with various items like a fruit basket and a coffee maker.

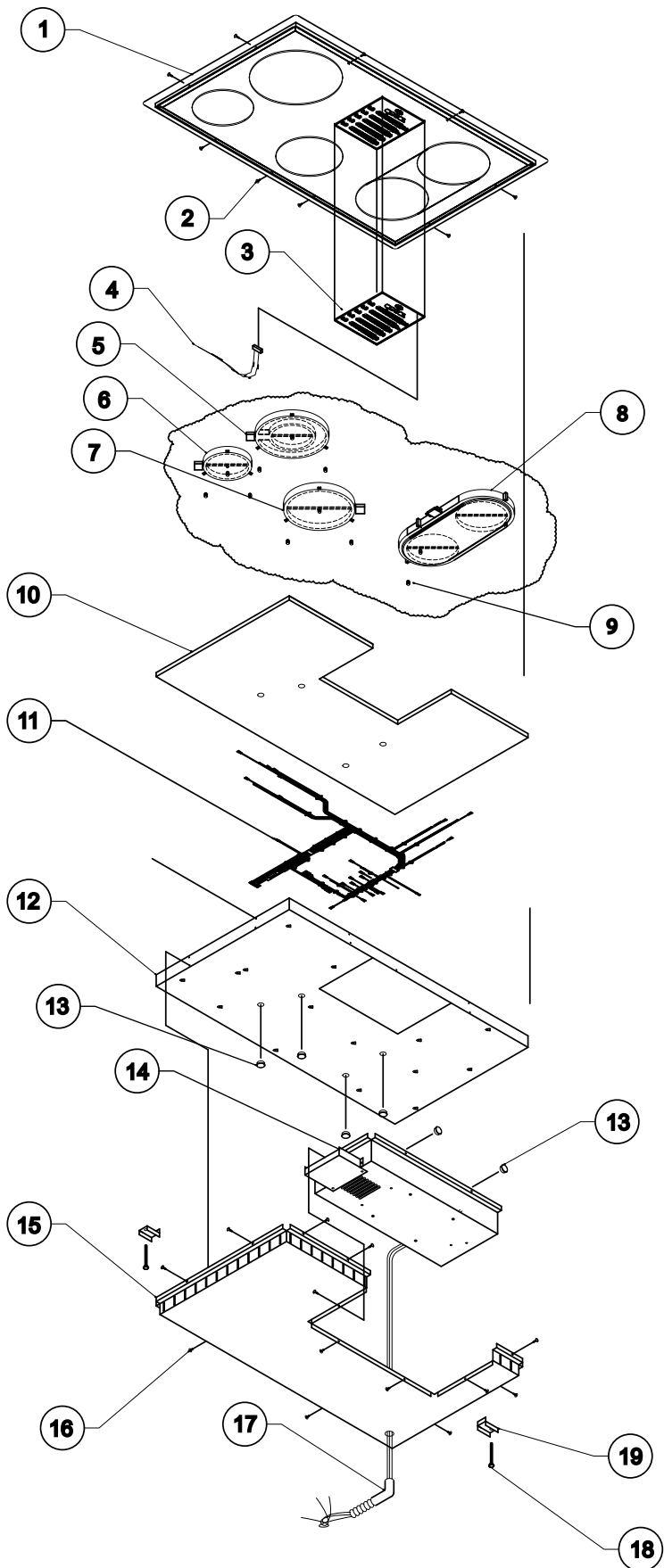
PARTS CATALOG

METB365-1 Cooktop

Page #	Description
2	METB365-1 Chassis Assembly
3	METB365-1 Control Box Assembly

Revised 05-02-2013

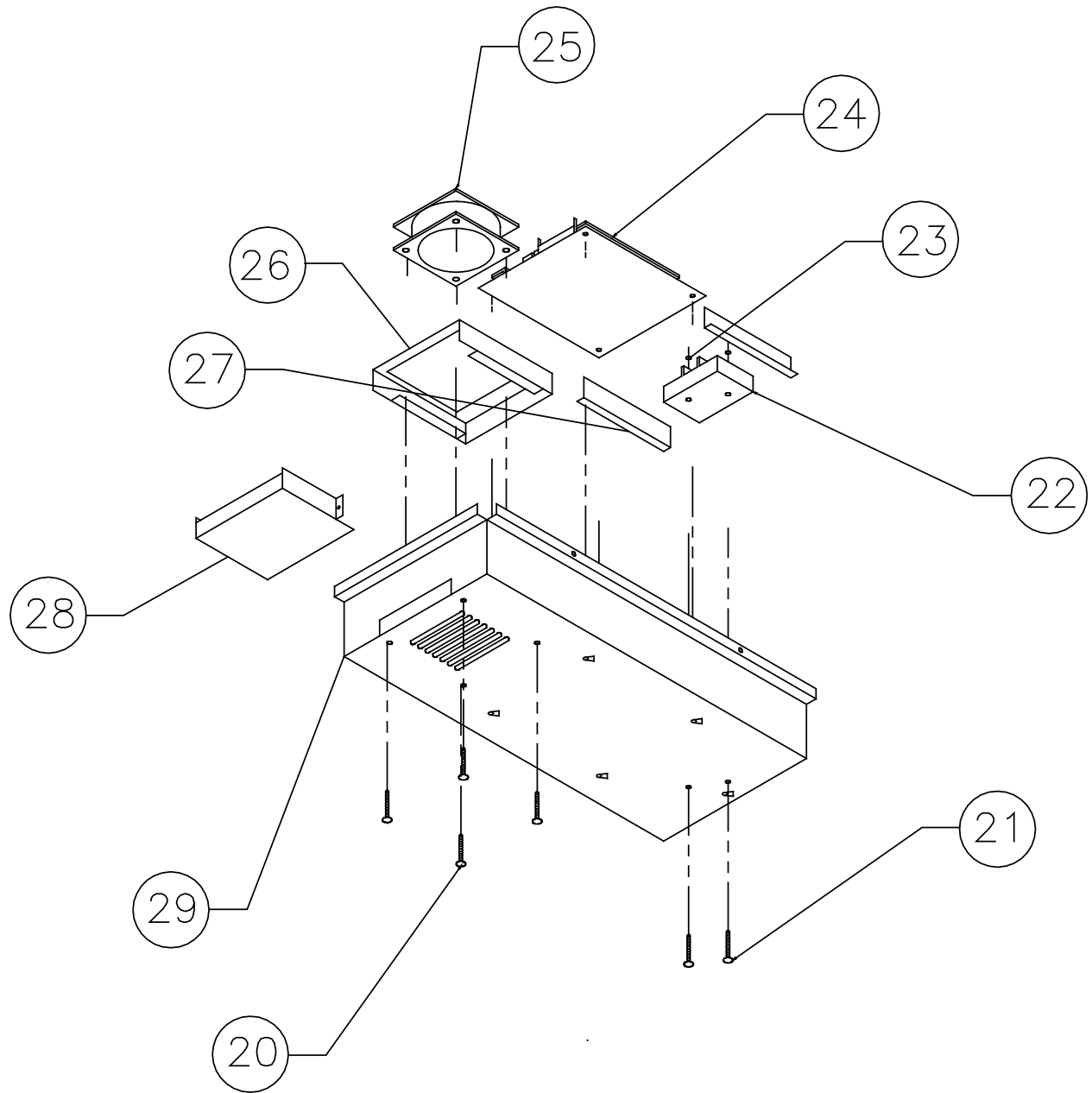
METB365-1 Cooktop Chassis Assembly



Item	Description	Part #
1*	Black Panel Assy	12612
	Black/Gray Panel Assy	12622
	Stainless Panel Assy	12598
	Stainless Finish Panel Assy	12620
2	#8 x 3/8 Frame Truss Screw	83024
3	Display Board	72527
4	Ribbon Cable	62063
5	Heater, 1000/2400W	66134
6	Heater, 1200W	66128
7	Heater, 1500W	66129
8	Heater, 800/1800W	66611
9	Burner Spring	83381
10	Insulation Blanket	80225
11	Wiring Harness	72651
12	Chassis Weldment	27822
13	Heyco Bushing	83056
14	Control Box (see page 3)	
15	Heat Shield Assembly	27254
16	#8 x 1/2" Screw	83024
17	Conduit	66798
18	1/4-20 x 3.50 Hex Head Bolt	83065
19	Hold Down Bracket	27251
-	Cooktop Cleaning Creme	A300
-	Razor Scraper	82499

* Glass replacement may require that new holes be drilled in the chassis.

METB365-1 Cooktop Control Box Assembly



Item	Description	Part #
20	Fan Screw	83022
21	Terminal Block Screws	83326
22	Terminal Block	62052
23	Nut, Keps #10-24	83009
24	Power Board	72526
25	Cooling Fan	62077
26	Control Box Air Baffle	36488
27	Fan Mounting Bracket	36459
28	Air Duct	36488
29	Control Box Weldment	27846