

The Dacor logo is rendered in a bold, italicized, sans-serif font with a metallic, 3D effect. The letters are dark with a lighter, reflective highlight on the top and left sides, giving it a sleek, modern appearance. A registered trademark symbol (®) is located at the end of the word.

**dacor**®

The Life of the Kitchen.®

The background of the page is a faded, grayscale image of a kitchen. In the center, a Dacor gas range is visible with a white bowl on the cooktop. Overlaid on this image is the text 'PARTS CATALOG' in large, bold, white, sans-serif capital letters with a slight drop shadow.

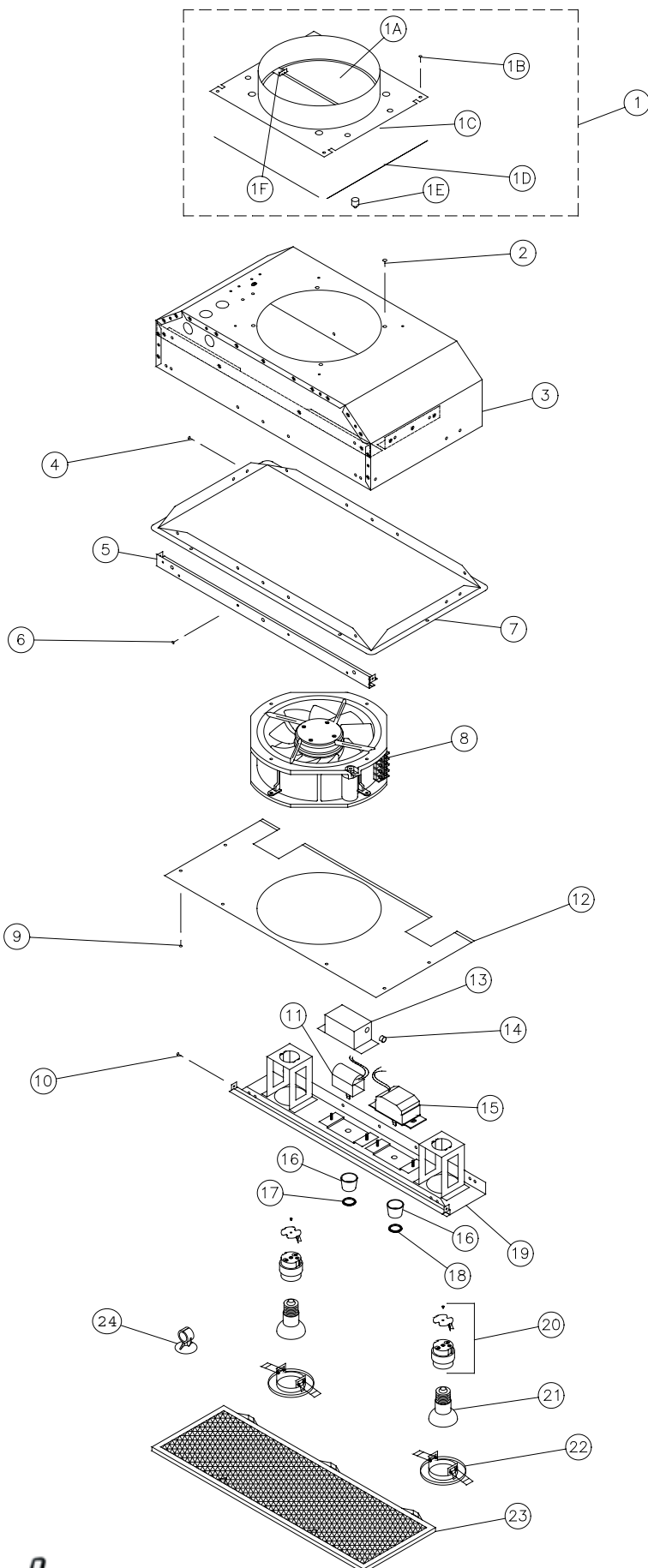
**PARTS  
CATALOG**

**IVS Series  
Integrated Ventilation System**

<b>Page</b>	<b>Description</b>
<b>2</b>	<b>IVS1</b>
<b>3</b>	<b>IVS2</b>

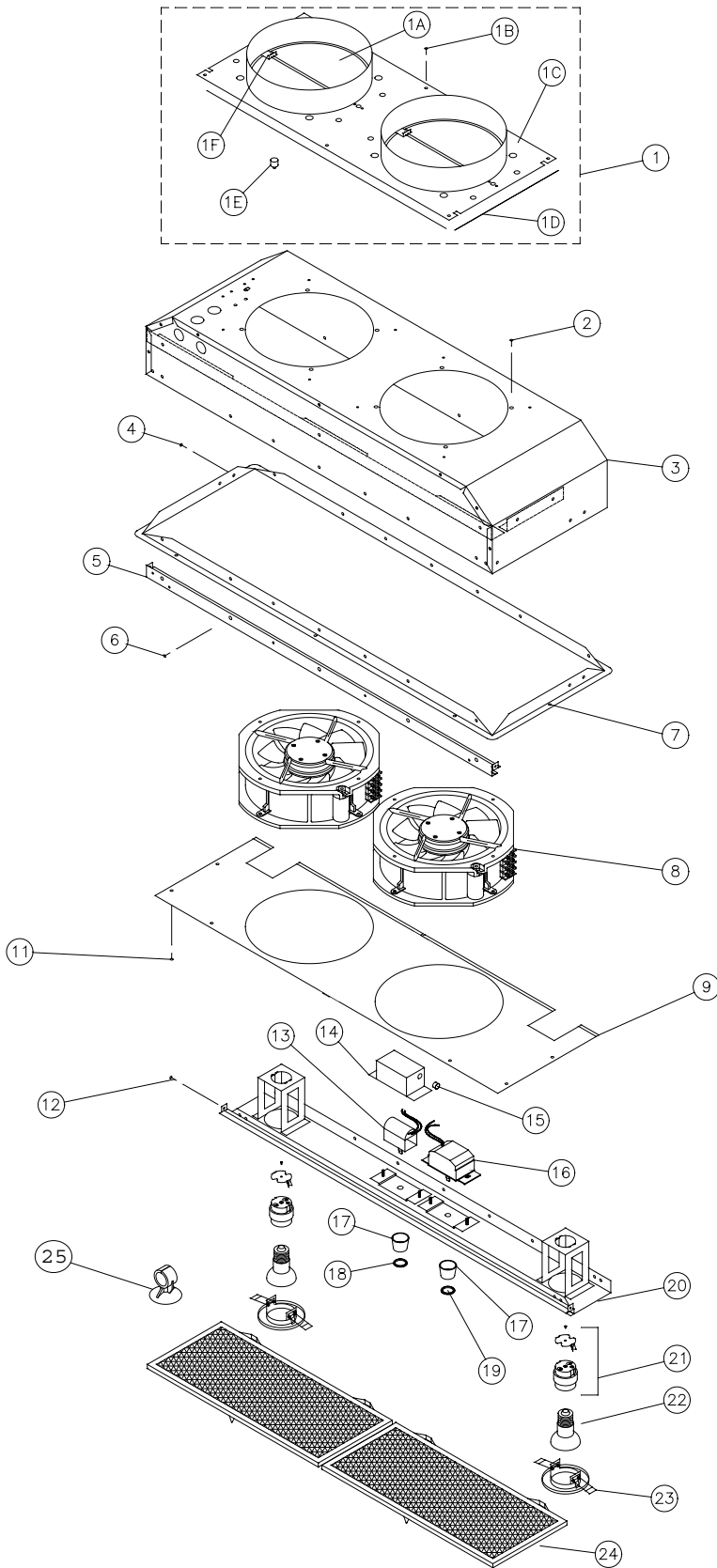
Revised 04-23-2013

# IVS1 - Single Power Pack



Ref #	Part #	Description
<b>1</b>	13482	Asy, Collar Outlet
<b>1A</b>	36399	Plate Damper 8" DIA Out
<b>1B</b>	83263	Screw, Phil Wfr, #8 x 3/8"
<b>1C</b>	27675	Weld, Collar Outlet
<b>1D</b>	83240	Tape, Foam, Single Side
<b>1E</b>	83578	Rubber Bumper
<b>1F</b>	83145	Shrink Tubing 3/16" ID
<b>2</b>	83433	Screw, Phil Pan, #10-32 x 1/2"
<b>3</b>	N/A	Asy, Canopy Box
<b>4</b>	83263	Screw, Phil Wfr, #8 x 3/8"
<b>5</b>	27708	Weld, Rear Filter Brkt.
<b>6</b>	83263	Screw, Phil Wfr, #8 x 3/8"
<b>7</b>	36551	Front Frame. IVS1
<b>8</b>	62355	Fan, EBM W2E200-HH86-IRL
<b>9</b>	83534	Screw, Wfr HD, #8 x 3/8"
<b>10</b>	83263	Screw, Phil Wfr, #8 x 3/8"
<b>11</b>	62753	Lamp Dimmer
<b>12</b>	38150	Canopy Front
<b>13</b>	36631	Cover, Light Switch
<b>14</b>	83057	Bushing Heyco SB-437-4
<b>15</b>	62754	Fan Speed Control, 8 Amp
<b>16</b>	83424	Knob, Cap, Black
<b>17</b>	36511	Light Dimmer, Cap, Black
<b>18</b>	36100	Fan Icon, Cap, Black
<b>19</b>	13505	Asy, Liner, IVS1
<b>20</b>	62349	Lamp Holder, Leviton
<b>21</b>	92348	Lamp, Halogen, 75w
<b>22</b>	62352	Trim, Lamp
<b>23</b>	72029	Filter, 20.875 x 7.09
<b>24</b>	62408	Suction Cap, Lamp
-	83287	Nut, Acorn Cap, #8-32 SS
-	72683	Wire Harness, Power (Not Shown)
-	72685	Wire Harness, Singe Fan (Not Shown)

# IVS2 - Double Power Pack



Ref #	Part #	Description
<b>1</b>	13489	Asy, Collar Outlet
<b>1A</b>	36399	Plate Damper 8" DIA Out
<b>1B</b>	83263	Screw, Phil Wfr, #8 x 3/8"
<b>1C</b>	27682	Weld, Collar Outlet
<b>1D</b>	83240	Tape, Foam, Single Side
<b>1E</b>	83578	Rubber Bumper
<b>1F</b>	83145	Shrink Tubing 3/16" ID
<b>2</b>	83433	Screw, Phil Pan, #10-32 x 1/2"
<b>3</b>	N/A	Asy, Canopy Box
<b>4</b>	83263	Screw, Phil Wfr, #8 x 3/8"
<b>5</b>	27707	Weld, Rear Filter Brkt.
<b>6</b>	83263	Screw, Phil Wfr, #8 x 3/8"
<b>7</b>	36550	Front Frame, IVS2
<b>8</b>	62355	Fan, EBM W2E200-HH86-IRL
<b>9</b>	36686	Grime Shield
<b>11</b>	83534	Screw, Wfr HD, #8 x 3/8"
<b>12</b>	83263	Screw, Phil Wfr, #8 x 3/8"
<b>13</b>	62753	Lamp Dimmer
<b>14</b>	36631	Cover, Light Switch
<b>15</b>	83057	Bushing Heyco SB-437-4
<b>16</b>	62754	Fan Speed Control, 8 Amp
<b>17</b>	83424	Knob, Cap, Black
<b>18</b>	36511	Light Dimmer, Cap, Black
<b>19</b>	36100	Fan Icon, Cap, Black
<b>20</b>	13506	Asy, Liner, IVS2
<b>21</b>	62349	Lamp Holder, Leviton
<b>22</b>	92348	Lamp, Halogen, 75w
<b>23</b>	62352	Trim, Lamp
<b>24</b>	72263	Filter, 16.376 x 7.090
<b>25</b>	62408	Suction Cap, Lamp
-	83287	Nut, Acorn Cap, #8-32 SS
-	72682	Wire Harness, Double Fan (Not Shown)
-	72683	Wire Harness, Power (Not Shown)