

# **dacor**®

The Life of the Kitchen.®

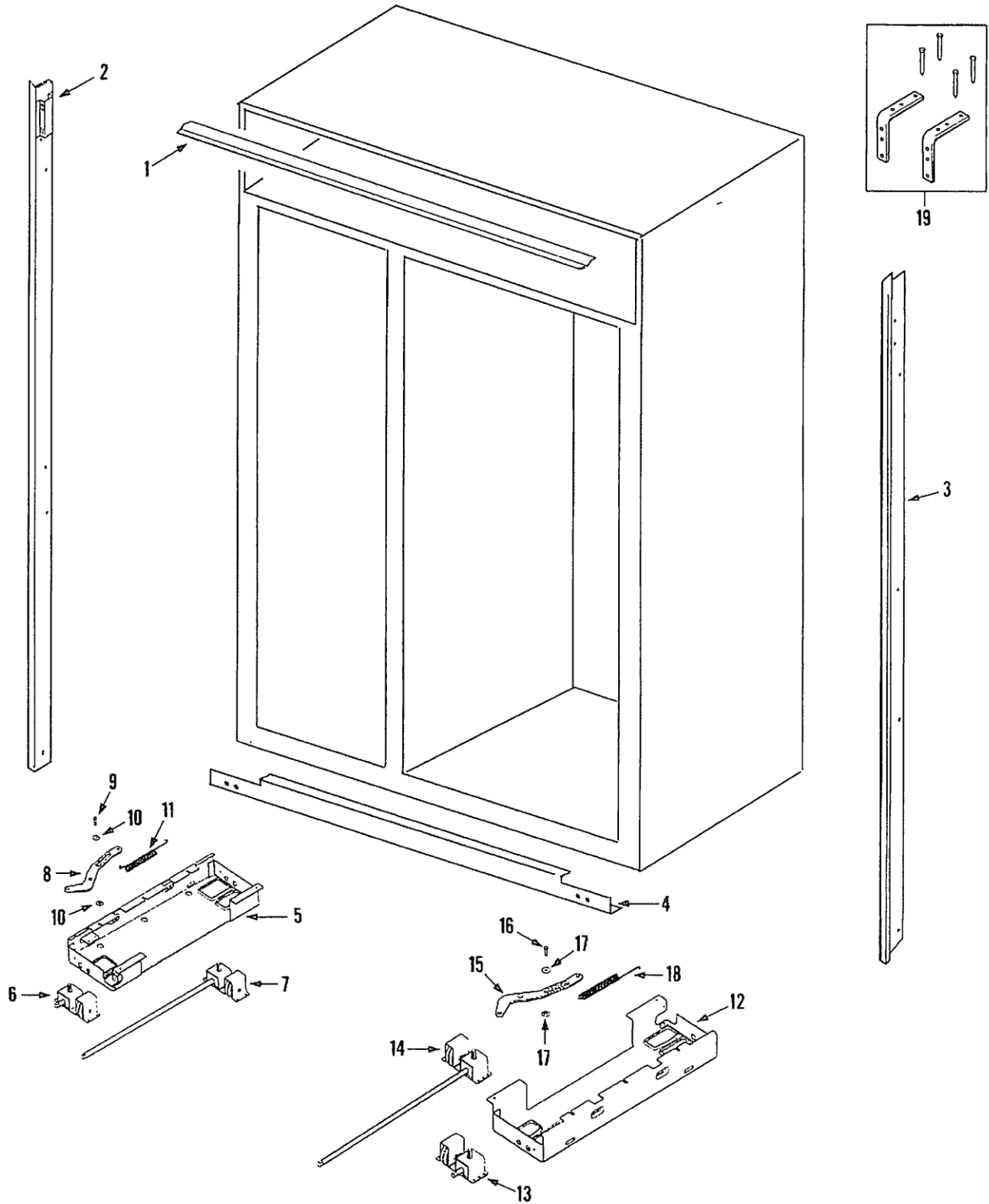
## **PARTS CATALOG**

### **IF48BNDBOL Refrigerator**

<b>Page #</b>	<b>Description</b>
<b>2</b>	<b>Cabinet</b>
<b>4</b>	<b>Compressor</b>
<b>6</b>	<b>Controls</b>
<b>8</b>	<b>Shelves &amp; Accessories (Fresh Food)</b>
<b>10</b>	<b>Evaporator Compartment</b>
<b>12</b>	<b>Shelves &amp; Accessories (Freezer)</b>
<b>14</b>	<b>Fresh Food Door</b>
<b>16</b>	<b>Freezer Door</b>
<b>18</b>	<b>Ice Maker</b>

Revised 05-03-2013

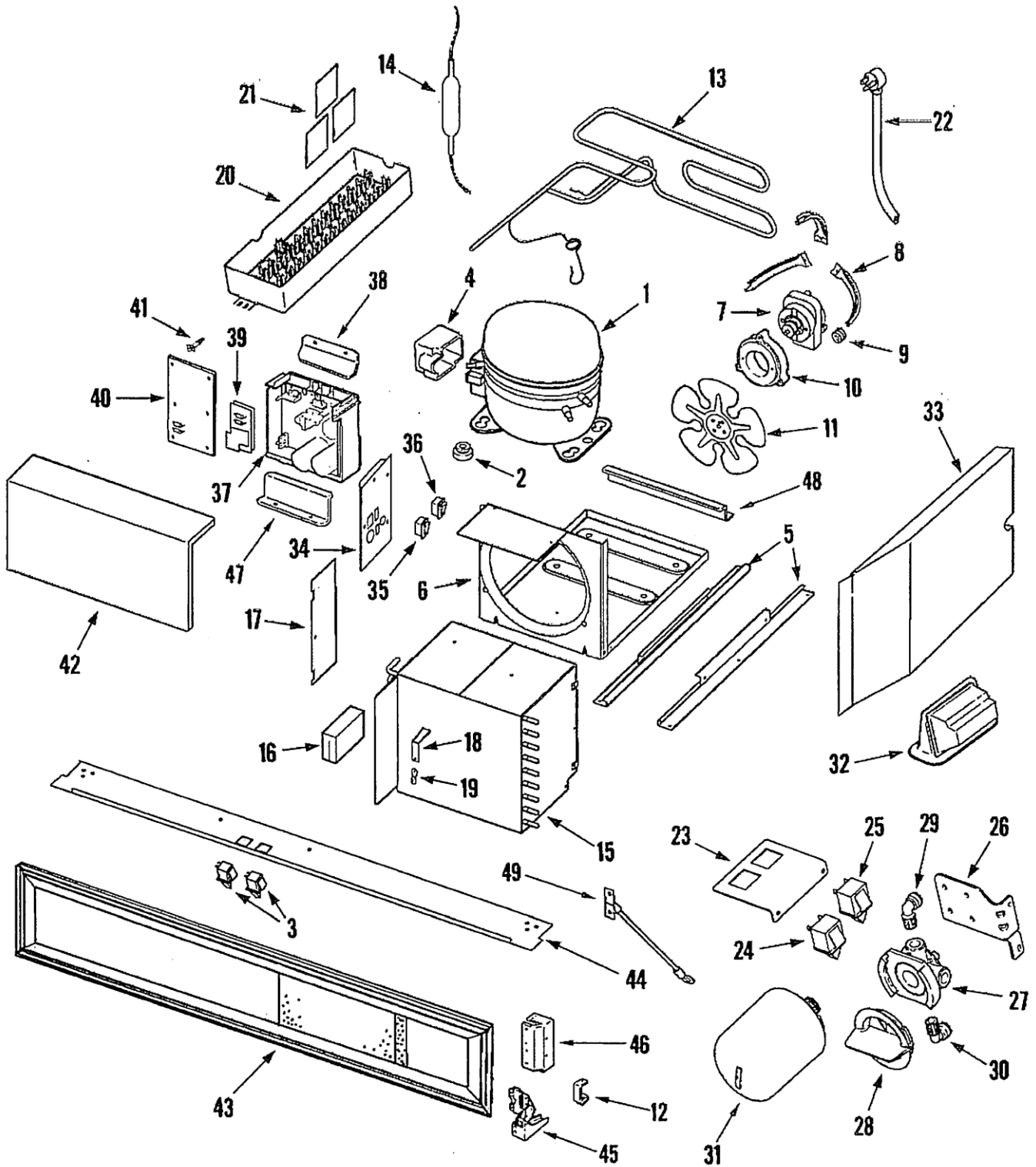
# IF48BNDBOL - Cabinet



# IF48BNDBOL - Cabinet Parts

Item	Dacor #	Description
<b>1</b>	103178	Trim, Cabinet Upper (SLV)
-	102916	Screw, Trim
<b>2</b>	103130	Trim, Cabinet Side (LT-SLV)
-	102915	Screw, Trim
<b>3</b>	103256	Trim. Cabinet Side (RT-SLV)
-	102915	Screw, Trim
<b>4</b>	102917	Kick Plate
-	103036	Screw, Kick Plate
<b>5</b>	103116	Wheel, Asy (LT)
-	103199	Screw, Wheel Asy.
-	102895	Screw, Wheel Asy.
<b>6</b>	103117	Gear Asy., Wheel (FRT)
-	102895	Screw, Gear Asy.
<b>7</b>	103118	Gear Asy., Wheel (Rear)
-	102895	Screw, Gear Asy.
<b>8</b>	103029	Arm, Door Closer
<b>9</b>	103030	Screw, Closer Arm
<b>10</b>	103031	Bushing, Closer Arm
<b>11</b>	103032	Spring w/ Dampner, Door Closer
<b>12</b>	103260	Wheel Asy. (RT)
-	103199	Screw, Wheel Asy.
-	102895	Screw, Wheel Asy.
<b>13</b>	103129	Gear Asy., Wheel (FRT)
-	102895	Screw, Gear Asy.
<b>14</b>	103121	Gear Asy., Wheel (Rear)
-	102895	Screw, Gear Asy.
<b>15</b>	103029	Arm, Door Closer
<b>16</b>	103030	Screw, Closer Arm
<b>17</b>	103031	Bushing, Closer Arm
<b>18</b>	106446	Spring, w/ Damper, Door Closer
<b>19</b>	103033	Bracket, Asy., Anti-Tip

# IF48BNDBOL - Compressor

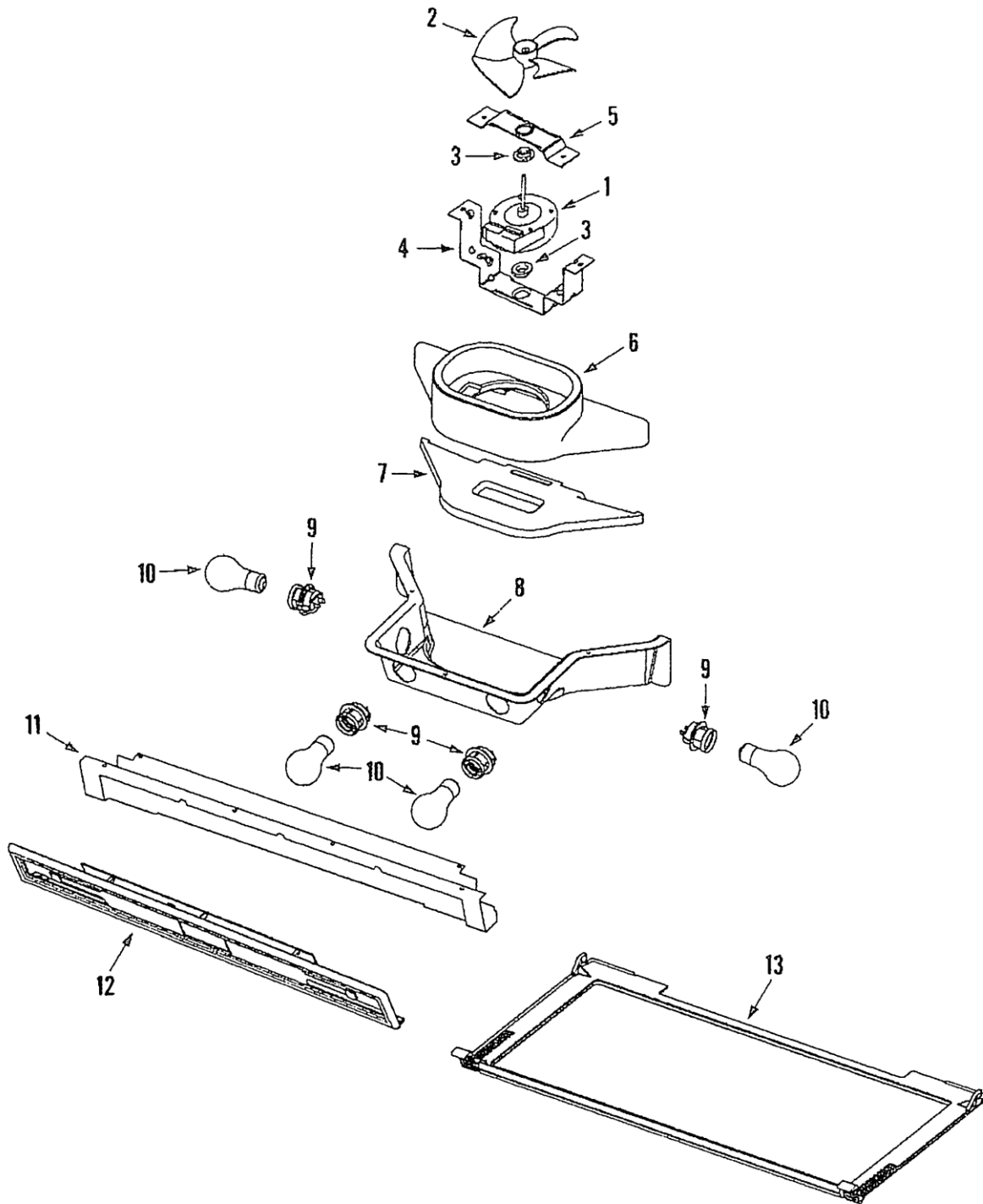


# IF48BNDBOL - Compressor Parts

Item	Dacor #	Description
<b>1</b>	103449	Compressor Kit (Inc. Compressor, Terminal Cover & Drier)
-	102918	Screw, Compressor MTG.
<b>2</b>	102906	Grommet, Compressor
<b>3</b>	102941	Switch, Light
-	103097	Shim, Light Switch
<b>4</b>	102894	Cover, Terminal
<b>5</b>	102919	Rail, Compressor
-	103263	Screw, Rail
<b>6</b>	102920	Pan, Compressor MTG.
<b>7</b>	102913	Motor, Condenser Fan
-	102907	Screw, Motor
<b>8</b>	102891	Bracket, Fan Motor
<b>9</b>	102805	Grommet, Bracket
<b>10</b>	102908	Adapter, Fan Motor
-	102921	Screw, Adapter
<b>11</b>	106449	Blade, Condenser
<b>12</b>	106450	Brace, Hinge
<b>13</b>	103078	Heat Exchanger Asy.
<b>14</b>	103264	Drier
<b>15</b>	103126	Condenser
<b>16</b>	102922	Baffle, Condenser Seal
<b>17</b>	102923	Extension, Condenser
-	102895	Screw, Extension
<b>18</b>	102924	Clip, Thermister
<b>19</b>	102925	Thermister
-	103205	Screw, Thermister
<b>20</b>	102926	Pan, Drain
-	102895	Screw, Pan (FRT)
<b>21</b>	103094	Wick, Condensation
<b>22</b>	103095	Cord, Power w/ Harness
<b>23</b>	102927	Bracket, Filter Switch
-	102895	Screw, Bracket
<b>24</b>	103108	Switch, Water Filter Sense
<b>25</b>	103108	Switch, Water Shut Off Sense
<b>26</b>	102928	Bracket, Water Filter
-	102895	Screw, Bracket to Wall
-	102929	Screw, Bracket to Head
<b>27</b>	102931	Head, Water Filter
<b>28</b>	102901	Plug, Filter Bypass

Item	Dacor #	Description
<b>29</b>	102930	Fitting, Water Filter
<b>30</b>	102930	Fitting, Water Filter
<b>31</b>	103190	Filter, Water
<b>32</b>	102932	Valve Asy., Pressure Relief
-	102895	Screw, Relief Asy.
-	103083	Screen
<b>33</b>	102933	Divider, Machine Compartment
<b>34</b>	102934	Bracket, Electrical
-	102895	Screw, Bracket
<b>35</b>	102935	Switch, Main Shut Off
<b>36</b>	102936	Switch, C/F Temp. Display
<b>37</b>	103270	Board, Compressor (Inverter)
<b>38</b>	103173	Retainer, Upper
-	102895	Screw, Retainer
<b>39</b>	102937	Supply, Power
<b>40</b>	103272	Board, Main Display
<b>41</b>	103034	Standoffs, Circuit Board
<b>42</b>	103133	Cover, Circuit Board
-	102895	Screw, Cover
<b>43</b>	106451	Frame, Machine Compt. (SLV)
<b>44</b>	102940	Trim, Cabinet Top (SLV)
-	102895	Screw, Trim
<b>45</b>	103138	Hinge (LT)
-	103139	Hinge (RT)
-	102895	Screw, Hinge to Cover (Hex)
-	102915	Screw, Hinge to Cabinet (Phil)
<b>46</b>	103140	Bracket, Hinge
<b>47</b>	103175	Retainer, Lower
-	102895	Screw, Retainer
<b>48</b>	103177	Bracket, Comp. Pan Rear
-	102892	Screw, Bracket
<b>49</b>	106452	Tether
-	106453	Wire Harness, Compressor
-	102938	Wire Harness, Power Supply
-	102939	Wire Harness, Temp. Switch
-	103135	Wire Harness, Comp. Board
-	103136	Wire Harness, PC Board

# IF48BNDBOL - Controls

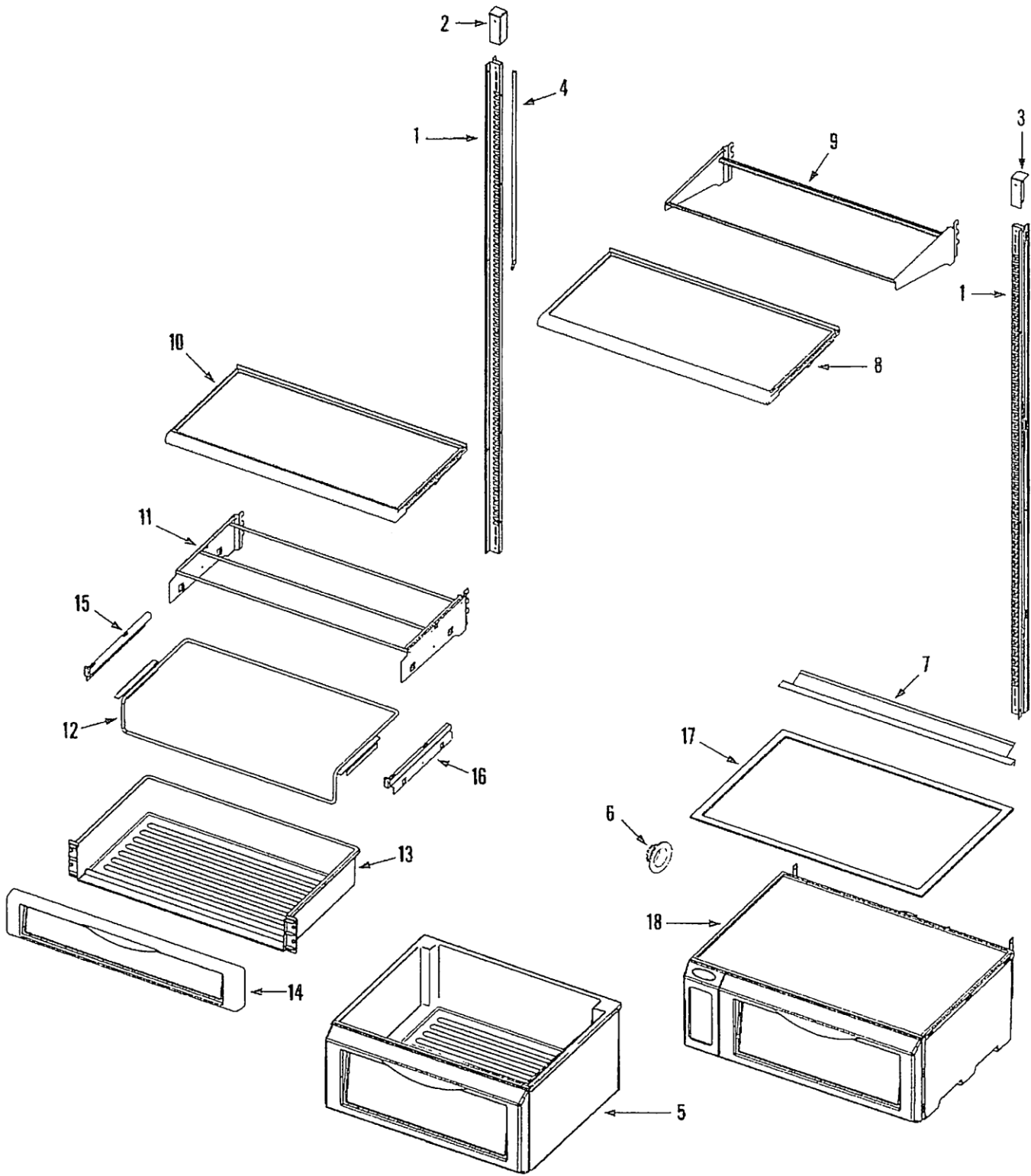


# IF48BNDBOL - Control Parts

<b>Item</b>	<b>Dacor #</b>	<b>Description</b>
<b>1</b>	103111	Motor, Fan
-	103199	Screw, Motor
<b>2</b>	102942	Blade, Fan
<b>3</b>	102910	Bushing, Fan
<b>4</b>	102943	Bracket, Fan
-	102905	Screw, Bracket
<b>5</b>	102909	Retainer, Fan
<b>6</b>	102944	Diverter, Discharge (Top)
<b>7</b>	102945	Diverter, Discharge (Btm)
<b>8</b>	102946	Housing, Control
-	102895	Screw, Housing
<b>9</b>	102893	Receptacle, Bulb
<b>10</b>	102690	Blub, Light
<b>11</b>	102947	Bracket, Display
-	103197	Screw, Bracket
-	102948	Screw, Bracket
<b>12</b>	103182	Display Asy., Main
<b>13</b>	102949	Shield, Light
-	102950	Screw, Shield
-	103122	Wire Harness, Control HSG.



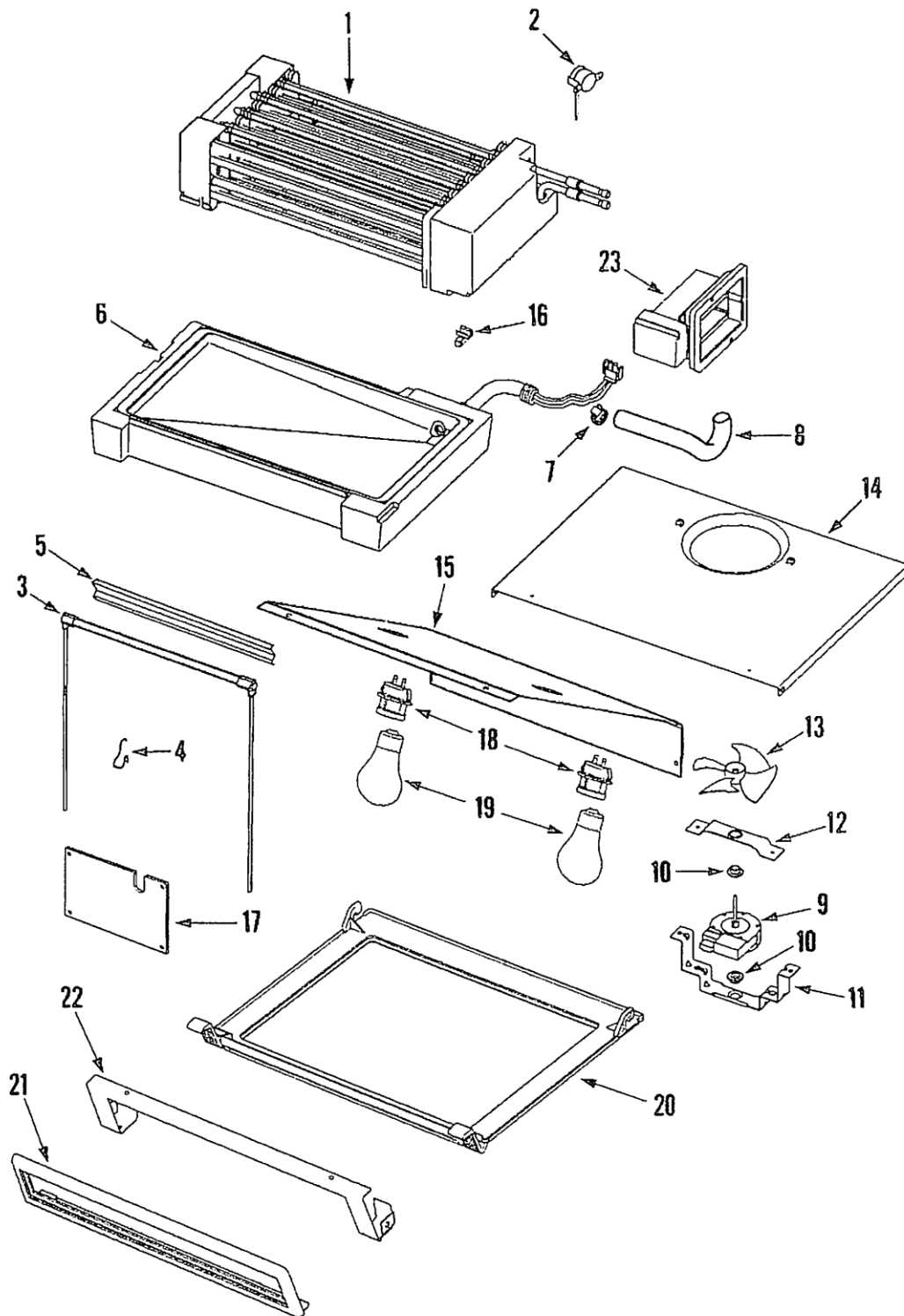
# IF48BNDBOL - Shelves & Accy (Fresh Food)



# IF48BNDBOL - Shelves & Accy (Fresh Food) Parts

Item	Dacor #	Description
<b>1</b>	102951	Rail, Shelf Support
-	102895	Screw, Rail (Rear)
-	102952	Screw, Rail (FRT)
<b>2</b>	102953	End Cap, Rail (LT)
-	102954	Screw, End Cap
<b>3</b>	102955	End Cap, Rail (RT)
-	102954	Screw, End Cap
<b>4</b>	102956	Thermister
-	102895	Screw, Thermister
<b>5</b>	103156	Pan Asy., Crisper
<b>6</b>	102900	Retainer, Duct
<b>7</b>	103186	Diverter, Air (Upr Crisper)
<b>8</b>	103183	Shelf, Spillproof
<b>9</b>	102957	Frame, Shelf
<b>10</b>	103183	Shelf, Deli
<b>11</b>	102961	Frame, Deli Shelf
<b>12</b>	102960	Cradle, Deli Pan
<b>13</b>	102958	Pan, Deli (Snack Tray)
<b>14</b>	102959	Front, Deli Pan
-	102911	Screw, Front
<b>15</b>	102962	Glide, Deli Pan (LT)
-	102954	Screw, Glide
<b>16</b>	102963	Glide, Deli Pan (RT)
-	102954	Screw, Glide
<b>17</b>	102964	Shelf, Spillproof
<b>18</b>	103383	Crisper Asy. (LWR-4 Buttons)
-	103384	Crisper Asy. (UPR-3 Buttons)
-	103028	Blanket, LWR Crisper

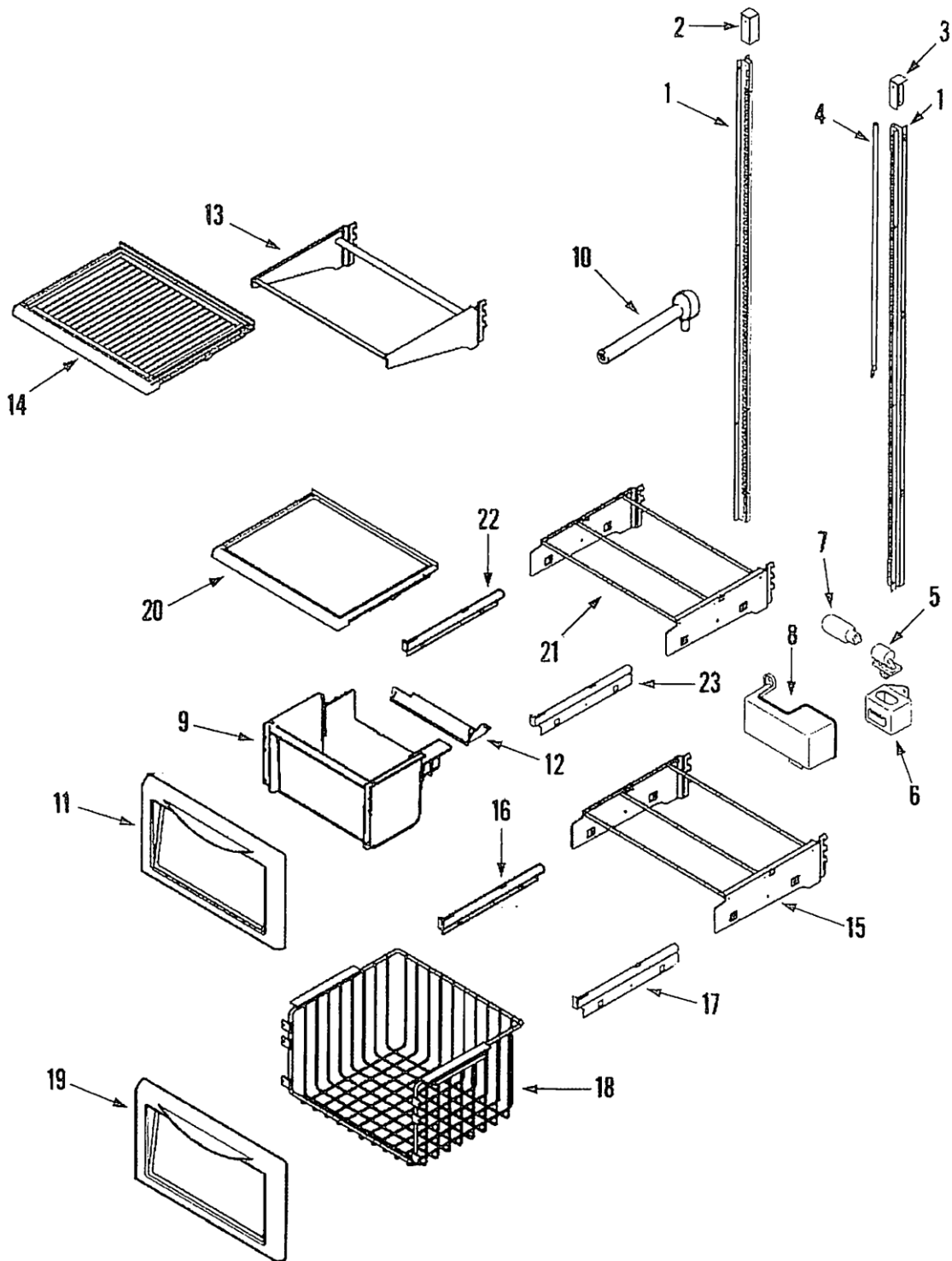
# IF48BNDBOL - Evaporator Compartment



# IF48BNDBOL - Evaporator Compartment Parts

Item	Dacor #	Description
<b>1</b>	103473	Evaporator Asy.
<b>2</b>	102965	Thermostat, Defrost
-	102895	Screw, Thermostat
<b>3</b>	102976	Heater, Defrost
<b>4</b>	103127	Clip, Defrost Heater
<b>5</b>	103062	Shield, Defrost Heater
<b>6</b>	103109	Tray Asy., Evaporator Drain
-	102966	Seal, Tray Asy.
<b>7</b>	102967	Clamp, Drain Tube
<b>8</b>	102968	Tube, Drain
<b>9</b>	103111	Motor, Fan
-	103199	Screw, Motor
<b>10</b>	102910	Bushing, Fan
<b>11</b>	102943	Bracket, Fan
-	102905	Screw, Bracket
<b>12</b>	102909	Retainer, Fan
<b>13</b>	102969	Blade, Fan
<b>14</b>	103080	Cover, Asy., Evaporator
<b>15</b>	103193	Diffuser, Air
-	102954	Screw, Diffuser
-	102970	Gasket, Diffuser
<b>16</b>	103087	Thermister
<b>17</b>	102971	Insulation, Velora
-	102899	Retainer, Insulation
<b>18</b>	102893	Receptacle, Bulb
<b>19</b>	102690	Blub, Light
<b>20</b>	102972	Shield, Light
-	102950	Screw, Shield
<b>21</b>	103187	Facade
-	102948	Screw, Facade
<b>22</b>	102973	Bracket, Facade
-	102895	Screw, Bracket
<b>23</b>	103081	Damper Asy., Auto
-	102911	Screw, Damper Asy.
-	103123	Wire Harness, Freezer

# IF48BNDBOL - Shelves & Accy (Freezer)

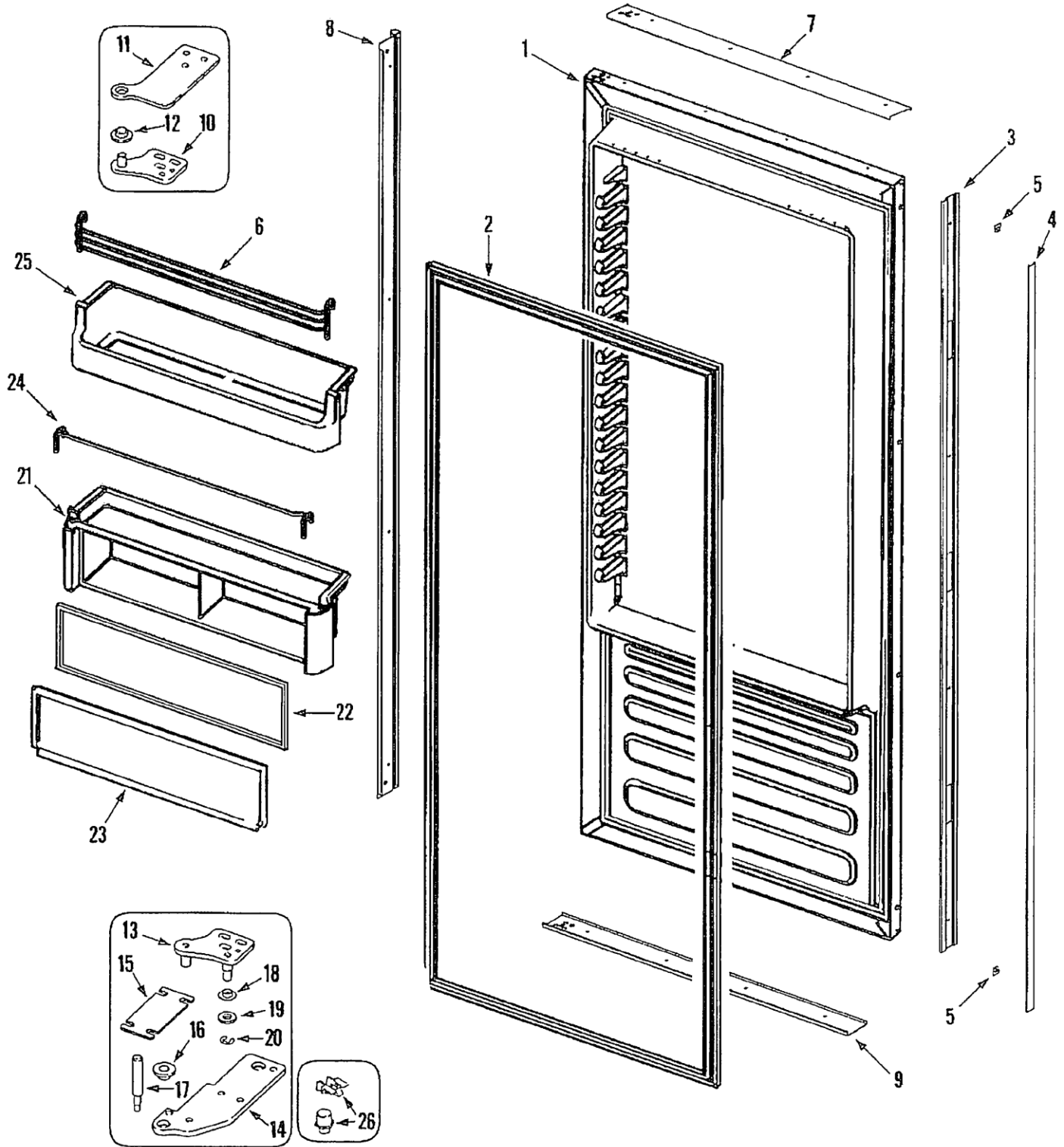


# IF48BNDBOL - Shelves & Accy (Freezer) Parts

Item	Dacor #	Description
<b>1</b>	102951	Rail, Shelf Support
-	102895	Screw, Rail (Rear)
-	102952	Screw, Rail (FRT)
<b>2</b>	102953	End Cap, Rail (LT)
-	102954	Screw, End Cap
<b>3</b>	102955	End Cap, Rail (RT)
-	102954	Screw, End Cap
<b>4</b>	102956	Thermister
-	102895	Screw, Thermister
<b>5</b>	102896	Receptacle, Bulb
<b>6</b>	102974	Adapter, Receptacle
-	102895	Screw, Adapter
<b>7</b>	103166	Bulb, Light
<b>8</b>	102975	Shield, Light
-	102895	Screw, Shield
<b>9</b>	102990	Bin, Ice
<b>10</b>	103096	Grommet, Fill Tube
<b>11</b>	103194	Front, Ice Bin
-	106312	Screw, Front
<b>12</b>	102991	Slide, Ice Maker
-	103198	Screw, Slide
<b>13</b>	102977	Frame, Shelf
<b>14</b>	102978	Shelf, Freezer
<b>15</b>	103114	Frame, Basket
<b>16</b>	102962	Glide, Basket (LT)
-	102954	Screw, Glide
<b>17</b>	102963	Glide, Basket (RT)
-	102954	Screw, Glide
<b>18</b>	106455	Basket, Freezer
<b>19</b>	102979	Front, Basket
-	106312	Screw, Front
<b>20</b>	103195	Shelf, Ice Bin
<b>21</b>	102980	Frame, Ice Bin Shelf
<b>22</b>	102981	Glide, Ice Bin (LT)
-	102954	Screw, Glide
<b>23</b>	102989	Glide, Ice Bin (RT)
-	102954	Screw, Glide

# IF48BNDBOL - Fresh Food Door

HANDLES NOT PROVIDED WITH PRODUCT  
MUST ORDER FROM CUSTOM CABINET  
MANUFACTURER



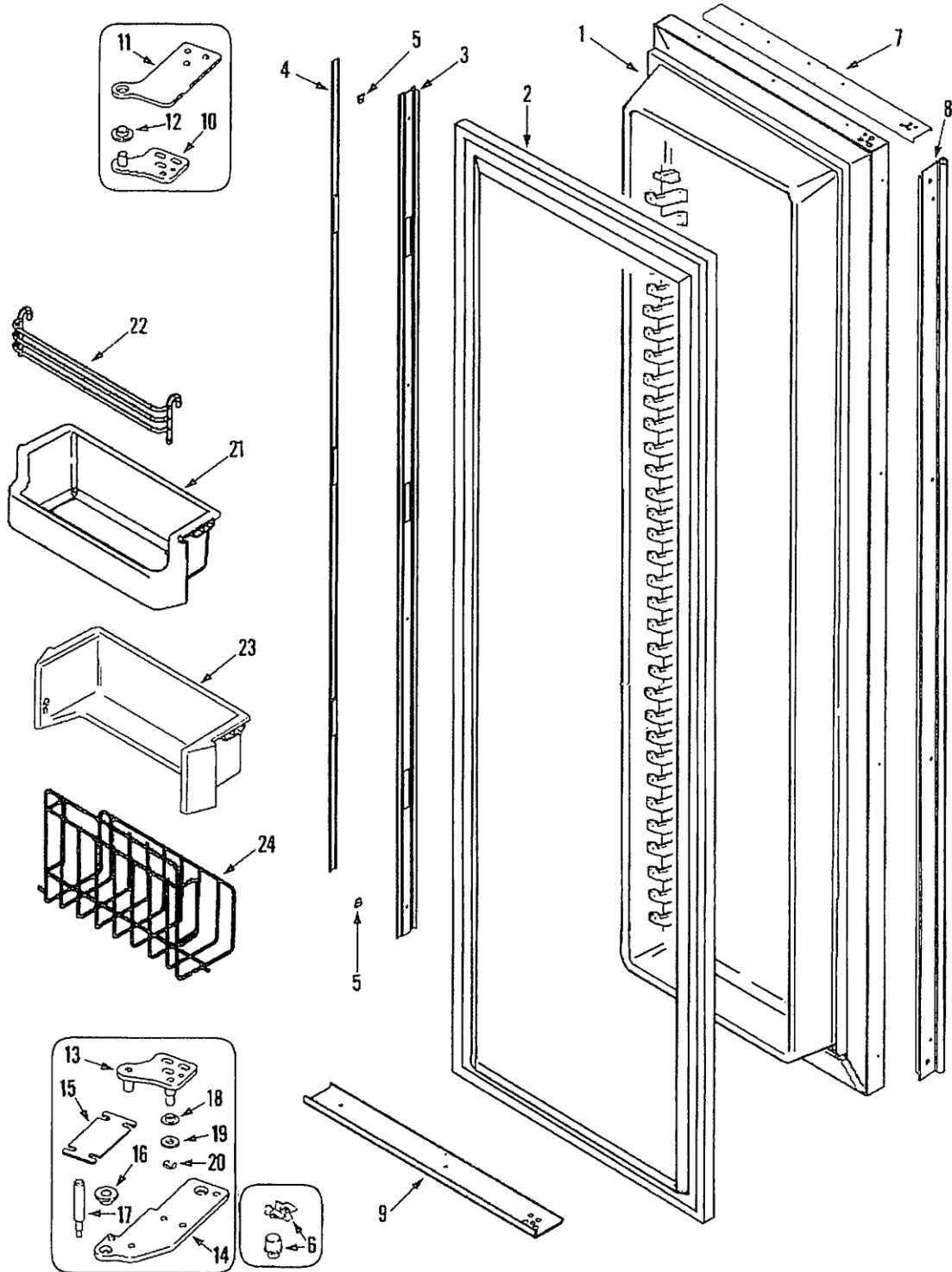
# IF48BNDBOL - Fresh Food Door Parts

Item	Dacor #	Description
<b>1</b>	106456	Door Asy., Fresh Food
<b>2</b>	103153	Seal, F.F. Door
<b>3</b>	106457	Trim, Perimeter (SLV)
-	106458	Screw, Trim
<b>4</b>	106459	Cover Asy., Screw w/ Magnets (SLV)
<b>5</b>	106460	Retainer, Cover Screw
<b>6</b>	103188	Wire, Pick off Shelf
<b>7</b>	106461	Trim, Perimeter (TOP-SLV)
-	103334	Screw, Trim (SLV)
<b>8</b>	106462	Trim, Perimeter (SIDE-SLV)
-	103334	Screw, Trim (SLV)
<b>9</b>	106463	Trim, Perimeter (BTM-SLV)
-	103334	Screw, Trim (SLV)
<b>10</b>	102996	Hinge, Upper
-	102997	Screw, Hinge
-	103012	Screw, Hinge
<b>11</b>	102998	Plate, Upper Hinge
-	102999	Screw, Plate
<b>12</b>	103000	Bushing, Upper Hinge
<b>13</b>	103113	Hinge, Lower
-	102997	Screw, Hinge
-	103012	Screw, Hinge
<b>14</b>	103001	Plate, Lower Hinge
-	103035	Screw, Plate
<b>15</b>	103455	Shim, Lower Hinge
<b>16</b>	103003	Bushing, Lower Hinge
<b>17</b>	103005	Stud, Lower Hinge
-	103004	Nut, Hinge Stud
<b>18</b>	103006	Bushing, Closer
<b>19</b>	103007	Spacer, Closer
<b>20</b>	103008	Retainer, Closer Extension
<b>21</b>	103009	Compartment, Dairy
<b>22</b>	103010	Seal, Dairy Door
<b>23</b>	103082	Door Asy., Dairy
<b>24</b>	103099	Wire, Dairy Compartment
<b>25</b>	103011	Shelf, Pick off
<b>26</b>	103057	Stop Asy., Door



# IF48BNDBOL - Freezer Door

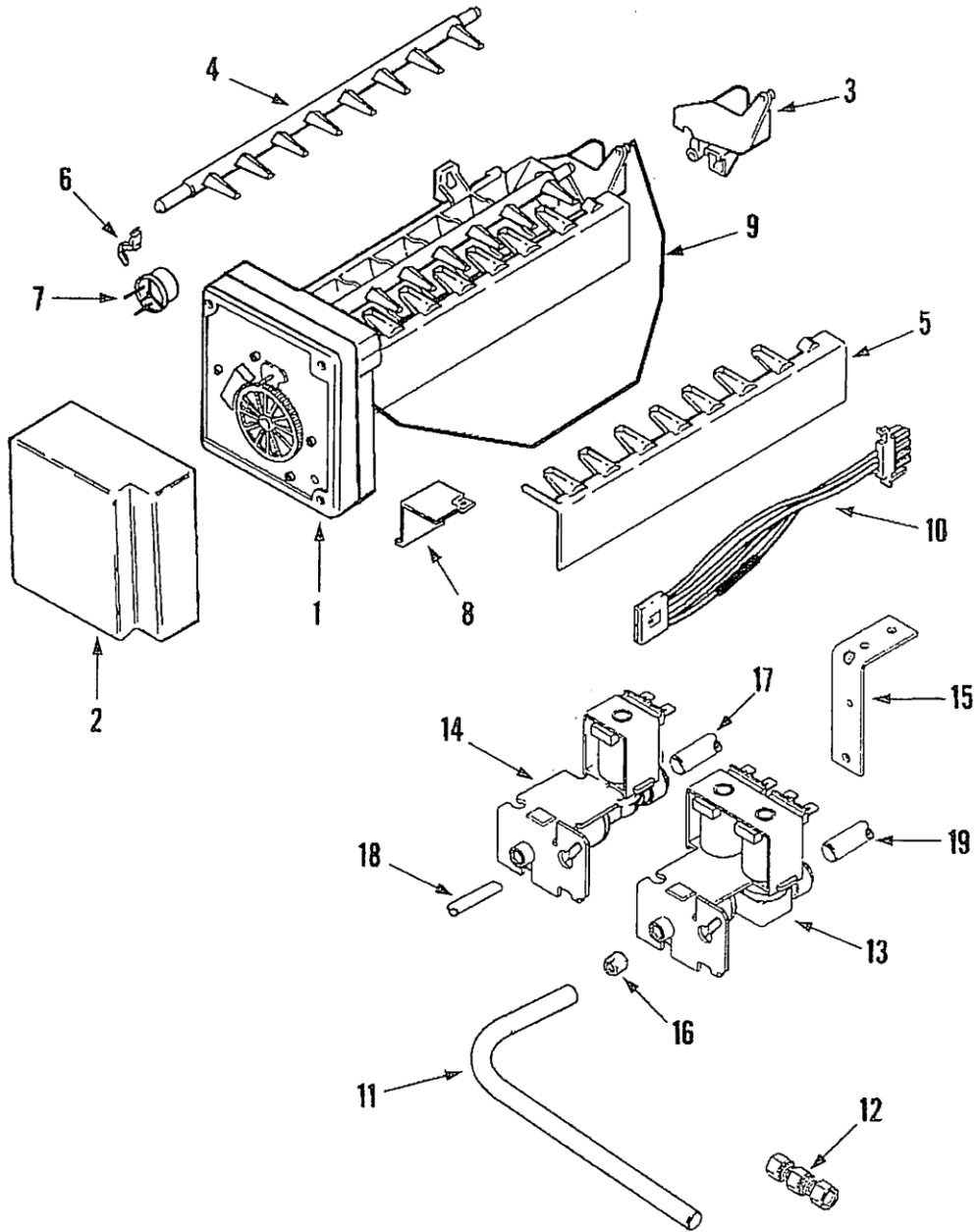
HANDLES NOT PROVIDED WITH PRODUCT  
MUST ORDER FROM CUSTOM CABINET  
MANUFACTURER



# IF48BNDBOL - Freezer Door

Item	Dacor #	Description
<b>1</b>	106464	Door Asy., Freezer
<b>2</b>	103013	Seal, Freezer Door
<b>3</b>	106457	Trim, Perimeter (SLV)
-	106458	Screw, Trim
<b>4</b>	106459	Cover Asy., Screw (SLV) w/ Magnets
<b>5</b>	106460	Retainer, Cover Screw
<b>6</b>	103057	Stop Asy., Door
<b>7</b>	106469	Trim, Perimeter (TOP-SLV)
-	103334	Screw, Trim (SLV)
<b>8</b>	106462	Trim, Perimeter (SIDE-SLV)
-	103334	Screw, Trim (SLV)
<b>9</b>	106471	Trim, Perimeter (BTM-SLV)
-	103334	Screw, Trim (SLV)
<b>10</b>	103014	Hinge, Upper
-	102997	Screw, Hinge
-	103012	Screw, Hinge
<b>11</b>	102998	Plate, Upper Hinge
-	102999	Screw, Plate
<b>12</b>	103000	Bushing, Upper Hinge
<b>13</b>	103112	Hinge, Lower
-	102997	Screw, Hinge
-	103012	Screw, Hinge
<b>14</b>	103015	Plate, Lower Hinge
-	103035	Screw, Plate
<b>15</b>	103455	Shim, Lower Hinge
<b>16</b>	103003	Bushing, Lower Hinge
<b>17</b>	103005	Stud, Lower Hinge
-	103004	Nut, Hinge Stud
<b>18</b>	103006	Bushing, Closer
<b>19</b>	103007	Spacer, Closer
<b>20</b>	103008	Retainer, Closer Extension
<b>21</b>	103016	Shelf, Pick Off
<b>22</b>	103189	Wire, Pick Off Shelf
<b>23</b>	103017	Frame, Basket
<b>24</b>	103101	Basket, Tilt

# IF48BNDBOL - Ice Maker



# IF48BNDBOL - Ice Maker

Item	Dacor #	Description
<b>1</b>	103040	Ice Maker Asy. (115v)
-	102895	Screw, Ice Maker
<b>2</b>	103026	Cover, Ice Maker
<b>3</b>	102843	Inlet, Water
<b>4</b>	102841	Ejector, Ice
<b>5</b>	102842	Stripper, Ice
<b>6</b>	102849	Retainer, Thermostat
<b>7</b>	103207	Thermostat
-	103208	Cement, Alumilastic (4 oz.)
<b>8</b>	102847	Bracket, Module & Heater
-	102848	Screw, Bracket
<b>9</b>	103206	Arm, Sensor
<b>10</b>	103027	Wire Harness, Ice Maker
<b>11</b>	103024	Tube, Copper Inlet
<b>12</b>	103203	Union, Compression
<b>13</b>	103018	Valve, Water (Filter)
-	102895	Screw, Valve
<b>14</b>	103019	Valve, Water (Ice Maker)
-	102895	Screw, Valve
<b>15</b>	103020	Bracket, Water Valve
-	102895	Screw, Bracket
<b>16</b>	103025	Nut & Sleeve Asy.
<b>17</b>	103021	Tubing, Valve to Ice Maker
-	103457	Clamp, Tubing
<b>18</b>	103022	Tubing, Valve to Filter Outlet
<b>19</b>	103023	Tubing, Valve to Filter Inlet