

The Dacor logo is rendered in a bold, italicized, sans-serif font with a metallic, 3D effect. The letters are dark with a lighter, reflective highlight on the top and left sides, giving it a sleek, modern appearance. A registered trademark symbol (®) is located to the right of the logo.

dacor®

The Life of the Kitchen.®

The title 'PARTS CATALOG' is centered over a faded background image of a kitchen. The text is in a large, bold, sans-serif font with a slight 3D effect and a drop shadow, making it stand out against the lighter background.

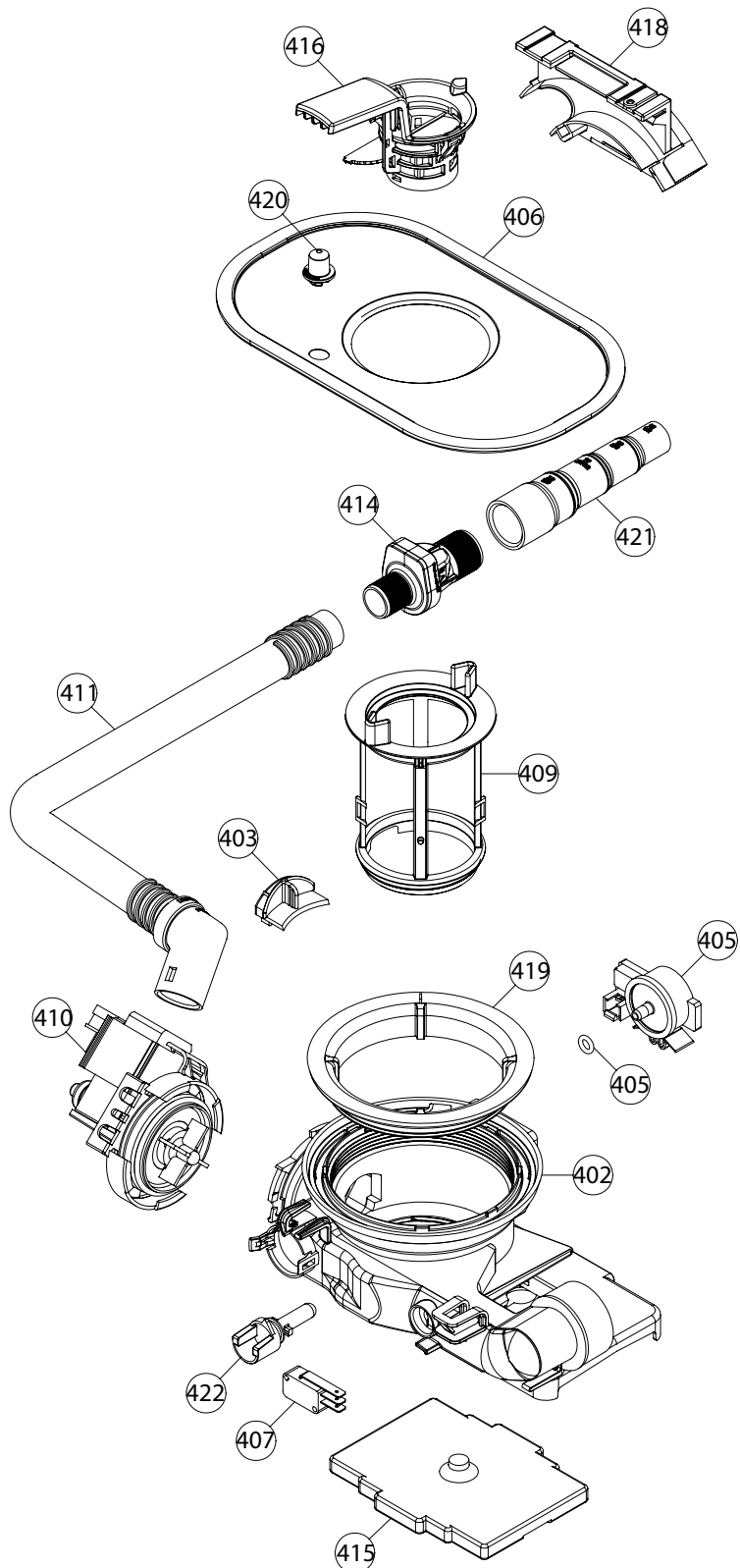
PARTS CATALOG

IDWH24 Dishwasher

Page	Description
2	Bottom Well and Related Parts
3	Base and Related Parts
4	Inner Door Panel and Related Parts
5	Basket and Related Parts
6	Wash System Parts
7	Control Panel and Related Parts

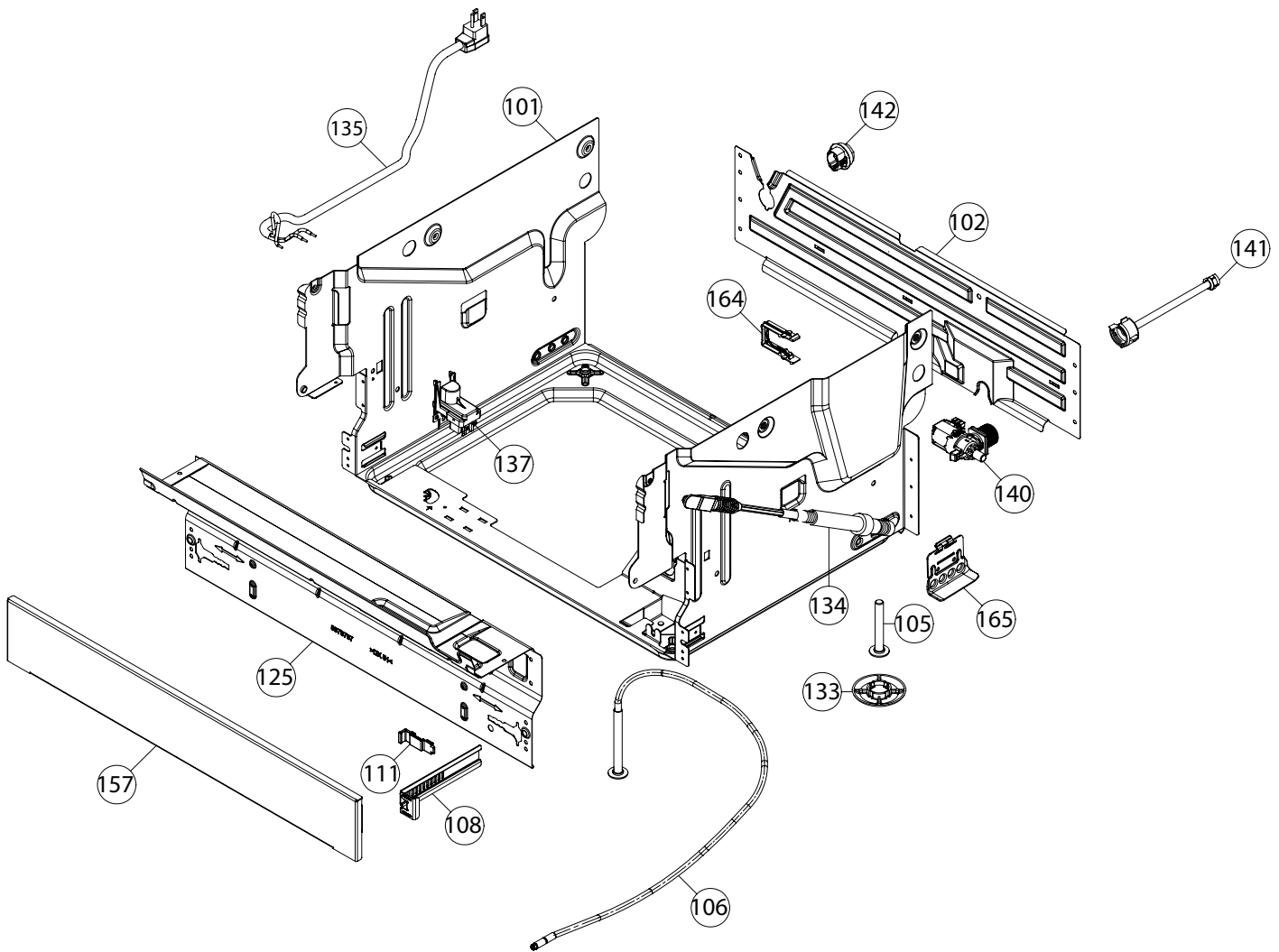
Revised 05-02-2013

Bottom Well and Related Parts



Item	Part #	Description
402	105207	Bottom Well Pressure Sens.
402-a	105137	O-Ring 110 x 4
403	105171	Rinse Bottom Well Yellow
405	105149	Pressure Sensor *ESD*
405-a	105152	O-Ring 6.3 x 2.4 NBR70
406	105128	Strainer DW20
407	105147	Micro Switch Float
409	105163	Pipe Filter Electro Polish CPL
410	105181	Drain Pump 120v 60Hz
410-a	105115	O-Ring 49.5 x 3.0 NBR70
411	105203	Outlet Hose Hard End Cuff US
411-a	105233	O-Ring 32.2 x 3 NBR70
414	105417	Check Valve Kit
415	105170	Float
416	105164	Strainer Basket Grey
418	105127	Holder Outlet Hose
418-a	105101	Cable Strip T30
418-b	105227	Screw PT KB 40 x 10 GALV.
419	105129	Lock Ring Bottom Well
420	105135	Ventilator
421	105144	End Cuff USA
422	105178	Thermistor
423	105197	Bottom Lid Tube Filter (not shown)
424	105195	Sealing Flat Non-Return Valve (not shown)
425	105200	Hook Non-Return Valve (not shown)
427	105233	O-Ring 32.2 x 3 NBR70 (not shown)
428	105242	Sleeve Outlet Hose USA (not shown)
428-a	105104	Hose Clip 31.6 (not shown)

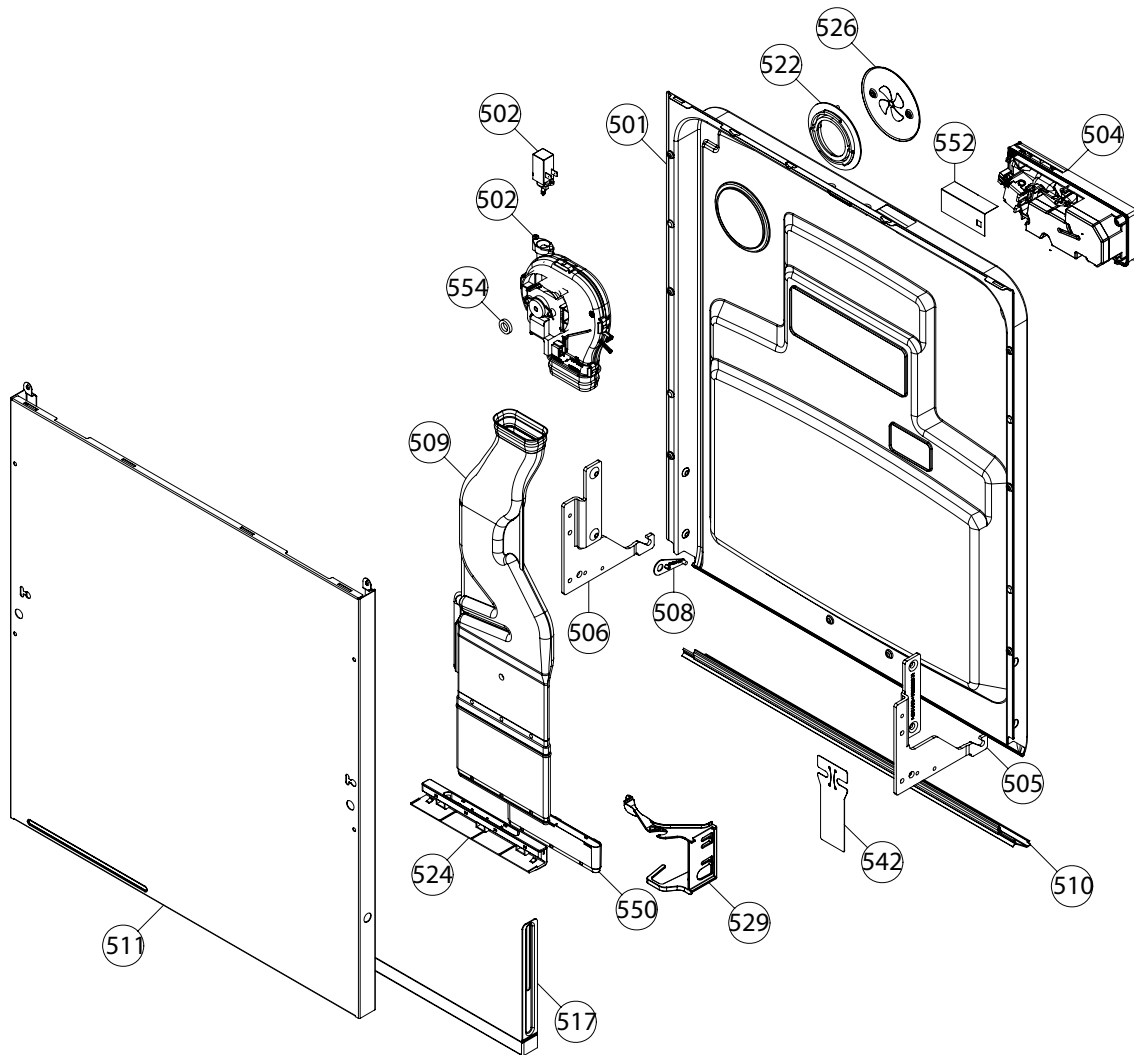
Base and Related Parts



Item	Part #	Description
101	105220	Bottom Outer Compl.
102	105167	Rear Panel
105	105153	Foot M10 x 75 T30 8.8 FZB
106	105236	Foot Adjustable from Front CPL
108	105142	Bracket Kicking Plate
111	105143	Spring Kicking Plate L-Grey
125	105237	Guard plate Flanged
125-a	105231	Screw RTS 4.2 x 13 FZB T20 Sort.
133	105103	Slide Foot DM-14
134	105238	Door Spring CPL Hard Damper Blu
135	105201	Cord Set 15A America

Item	Part #	Description
137	105199	Filter w/Screwplint
137-a	105226	Screw MRT-TT 4 x 10 FZB T20
140	105218	Kit Incl. Valve/Lockarm Sing 120v
141	105111	Connections Pipe 9/16-3/4
142	105102	Grommet Z13
157	105239	Kicking Plate Low Grey Metal
162	105240	Cable Holder (not shown)
164	105193	Lock Arm Inlet Valve
165	105169	Holder Door Spring Out. Bottom
165-a	105232	Screw RTK ST 4.2 x 9.5 FZB Wax.

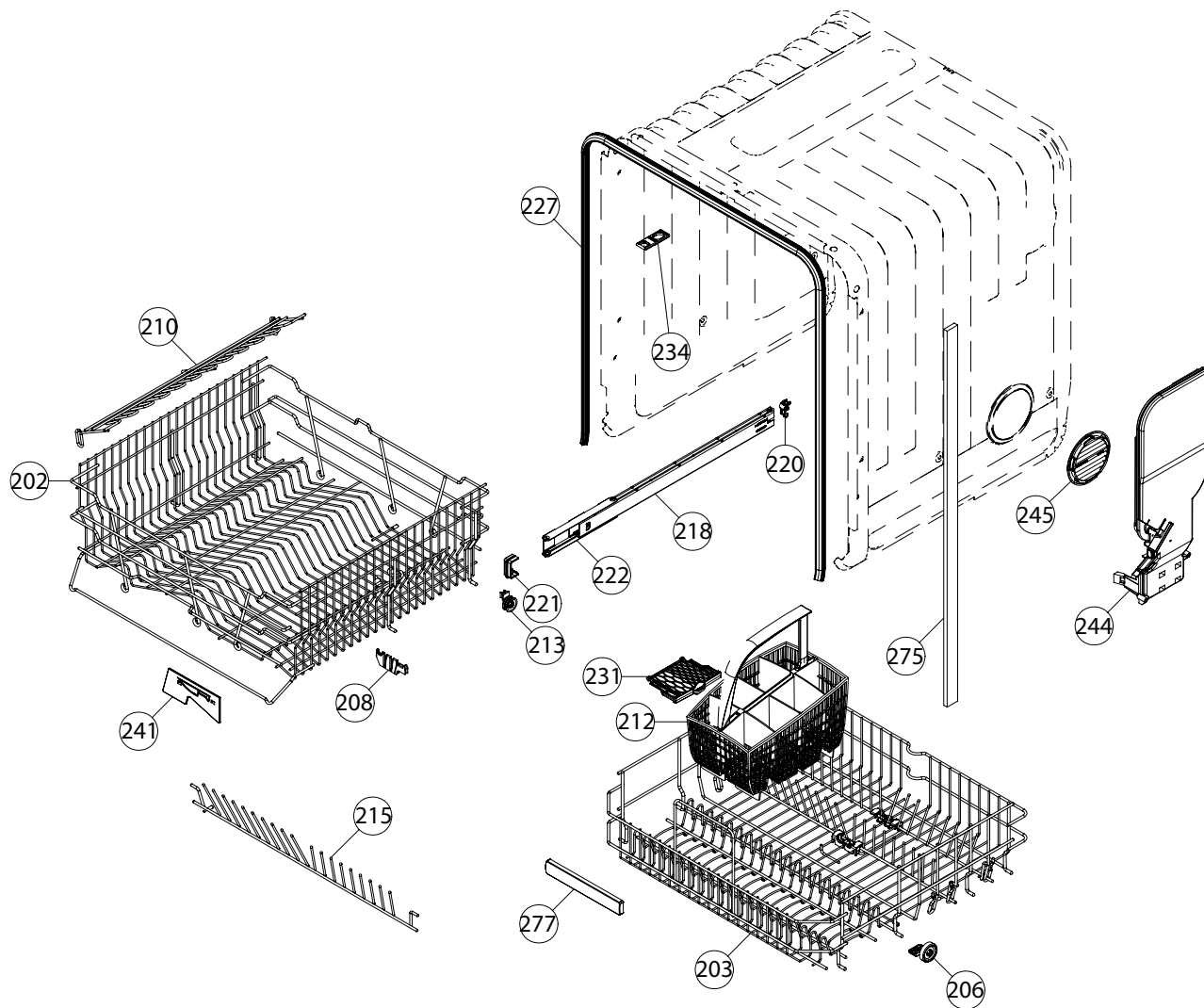
Inner Door Panel and Related Parts



Item	Part #	Description
501	105262	Door Inner w/ Fan DW70
501-a	105225	Screw A4 RTS 4.2 x 13 T20 Sort.
501-b	105229	Screw A2 MKFT 5 x 10
502	105822	Fan Compl. 120v 60Hz
502-a	105244	O-Ring 83 x 3 NBR70
502-b	105245	Kit w/ New Wax Motor
504	105219	Kit Combi Dispenser 120v
504-a	105121	Seal, Det. Comp. Lid
504-b	105125	Cap. Rinse Agent
504-c	105124	Lid, Incl. Seal and Spring
504-d	105126	Sealing Strip Combi Disp.
504-f	105230	Screw PTK 40 x 14 FZB T20
505	105246	Hinge Right
506	105247	Hinge Left
507	105110	Hinge Screw (not shown)
507-a	105100	Nut M4 (Locking) (not shown)
508	105248	Washer Hinge Bearing

Item	Part #	Description
509	105249	Air Channel
510	105118	Door Seal
511	105250	Door Outer High Int Adjust
511-a	105225	Screw A4 RTS 4.2 x 13 T20 Sort.
517	105251	Adjustable Frame Air Channel
517-a	105252	Screw MRT-GF M5 x 8 Comb T25
522	105253	Locking Ring 2 Fan House
522-a	105228	Screw PT KB 40 x 10 RFS
523	105254	Interm. Stay (Not Shown)
524	105255	Air Nozzle Integrated
526	105256	Cover Plate Fan w/ Symbol
526-a	105228	Screw PT KB 40 x 10 RFS
529	105155	Bracket For Harness
542	105257	Cover, Cables DW70
550	105258	Intermediate Air Channel
552	105259	Cover Combi Dispenser
554	105260	Spacer an Motor-Outer Door

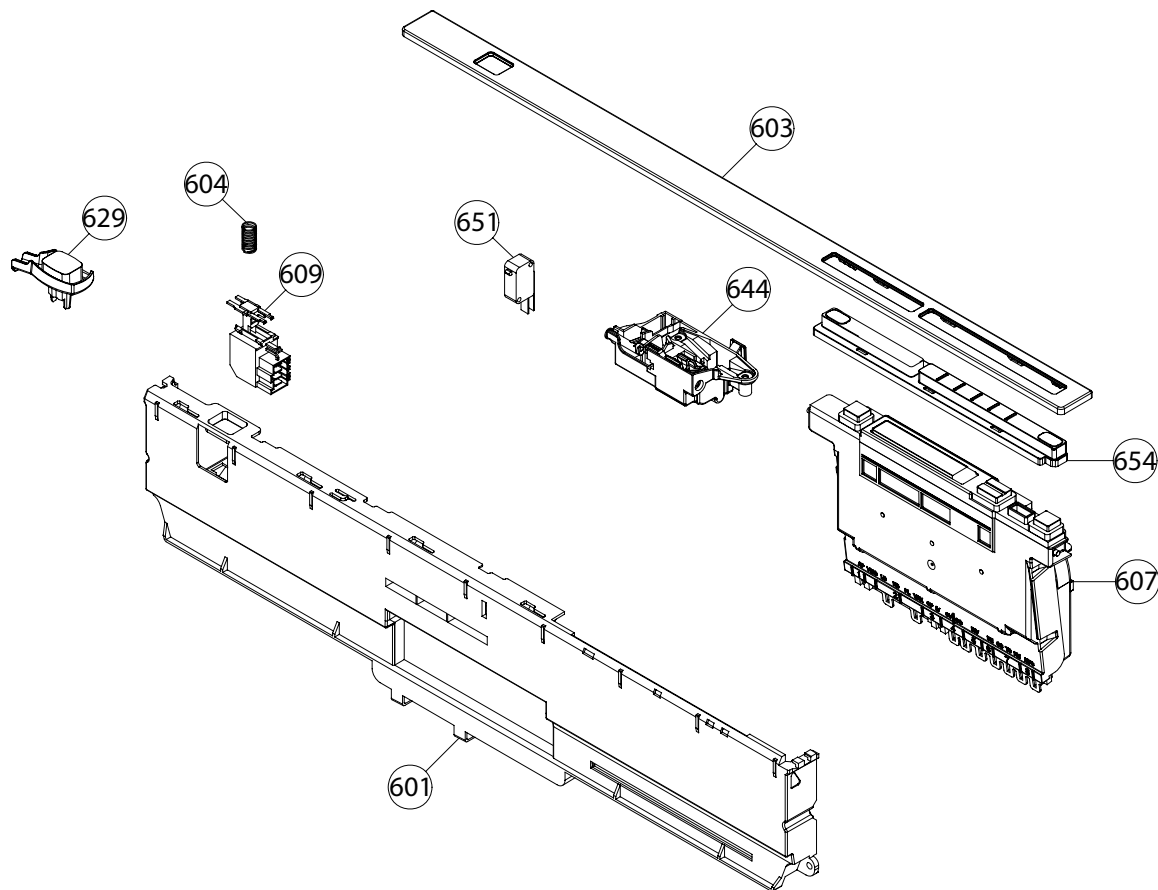
Baskets and Related Parts



Item	Part #	Description
202	105222	Upper Basket STD Compl. D.Grey
203	105112	Lower Basket STD USA CPL D. Grey
206	105184	Wheel For Low DW Basket CPL
208	105120	Holder, Carving Knives U-Basket
210	105122	Wineglass SHeld Adjust D-Grey
212	105215	Cutlery Basket Compl. 07
213	105117	Basket Wheel Compl. Grey DW95
218	105107	Guide Rail
220	105114	Ballcatch Grey Compl.
221	105209	Basket Stop
222	105217	Kit Ball Holder Incl. Balls

Item	Part #	Description
225	105114	Ball Catch Grey Compl. (not shown)
227	105108	Door Strip DW70
231	105183	Door Cutlery Basket
234	105265	Lock Hitch Integr.
234-a	105266	Lock Washer
234-b	105267	Screw M4 x A4 MRT T20
239	105268	O-Ring 69.5 x 3
241	105109	Knife Stop Plate Grey DW95
244	105182	Air Break STD DW70
245	105179	Lock Ring Air Breaker Grey
292	105270	O-Ring 95 x 4 (not shown)

Control Panel and Related Parts



Item	Part #	Description
601	105227	Panel High Door DW70
602	105278	Prog. Info Label Dacor
603	105279	Len Dacor
604	105154	Spring Main Switch
607	105280	Control Unit CPL. DW70.3 Dacor
609	105146	Main Switch
610	105281	Cable Set Thermistor (not shown)
614	105175	Cable Set Circ. Pump In Valve (not shown)
616	105174	Cable Set Flow & Pressure (not shown)
618	105176	Cable Set Power (not shown)
620	105282	Cable Set Door Fan-Reed (not shown)
622	105172	Cable Set Drain (not shown)
629	105283	Push Button Main Switch
644	105284	Lock Complete Integrerad
654	105285	Push Buttons Dacor
690	106843	Instructions Dacor Eng. (Use & Care) (not shown)
690	106923	Instructions Dacor Fr. (not shown)