

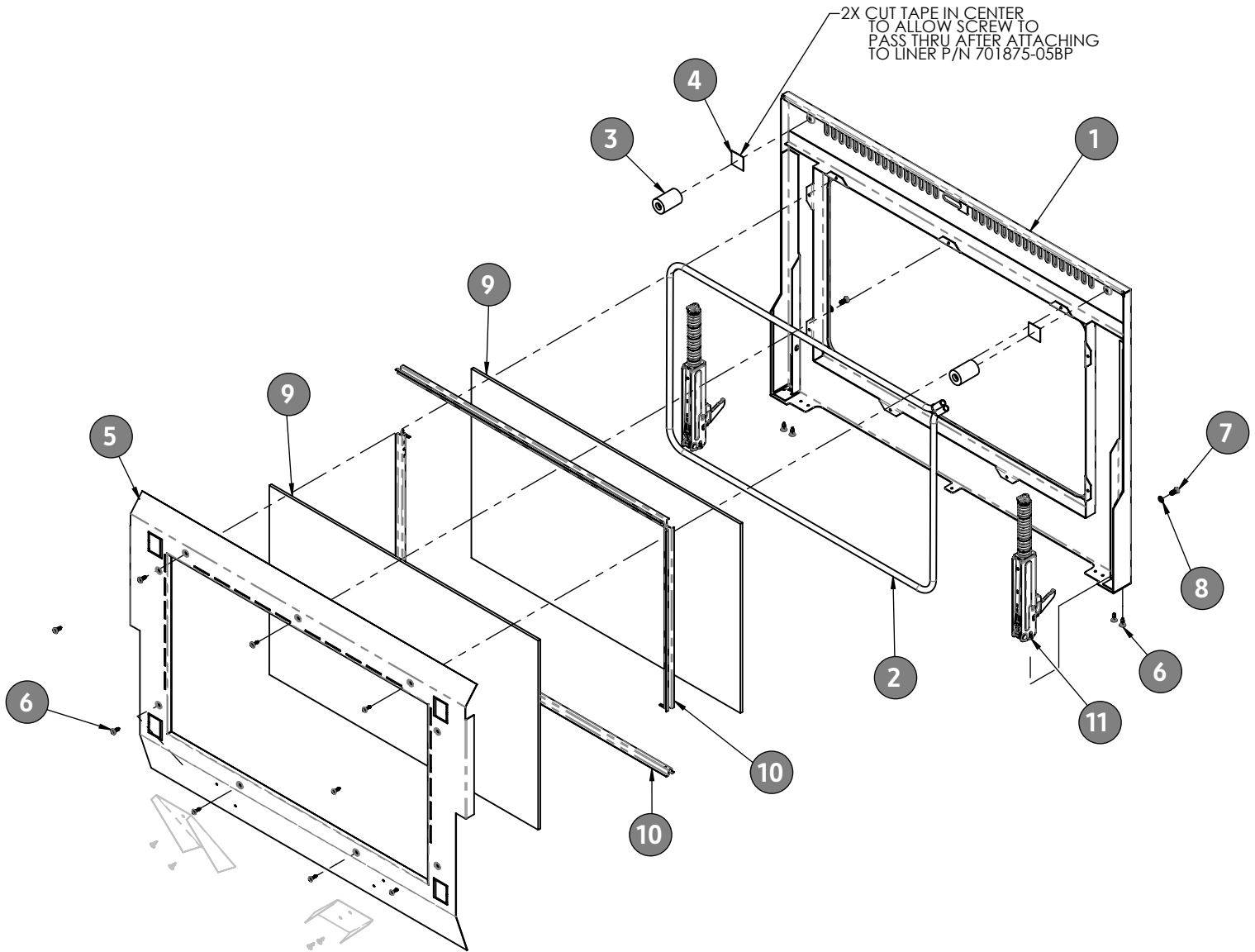


PARTS CATALOG

HDPR36 Professional Dual Fuel Range

Assembly Drawings	
Page	Description
2	Door Assembly
4	Assembly Control Panel
5	Assembly sub Panel
6	Assembly Cooktop
8	Assembly Oven Cell
10	Oven Case Parts Catalog
12	Assembly Bake
13	Assembly Oven Base
15	Assembly Cooktop & Oven Parts Catalog
17	Range Parts Catalog
19	Assembly Range Color
20	Parts Catalog Cap

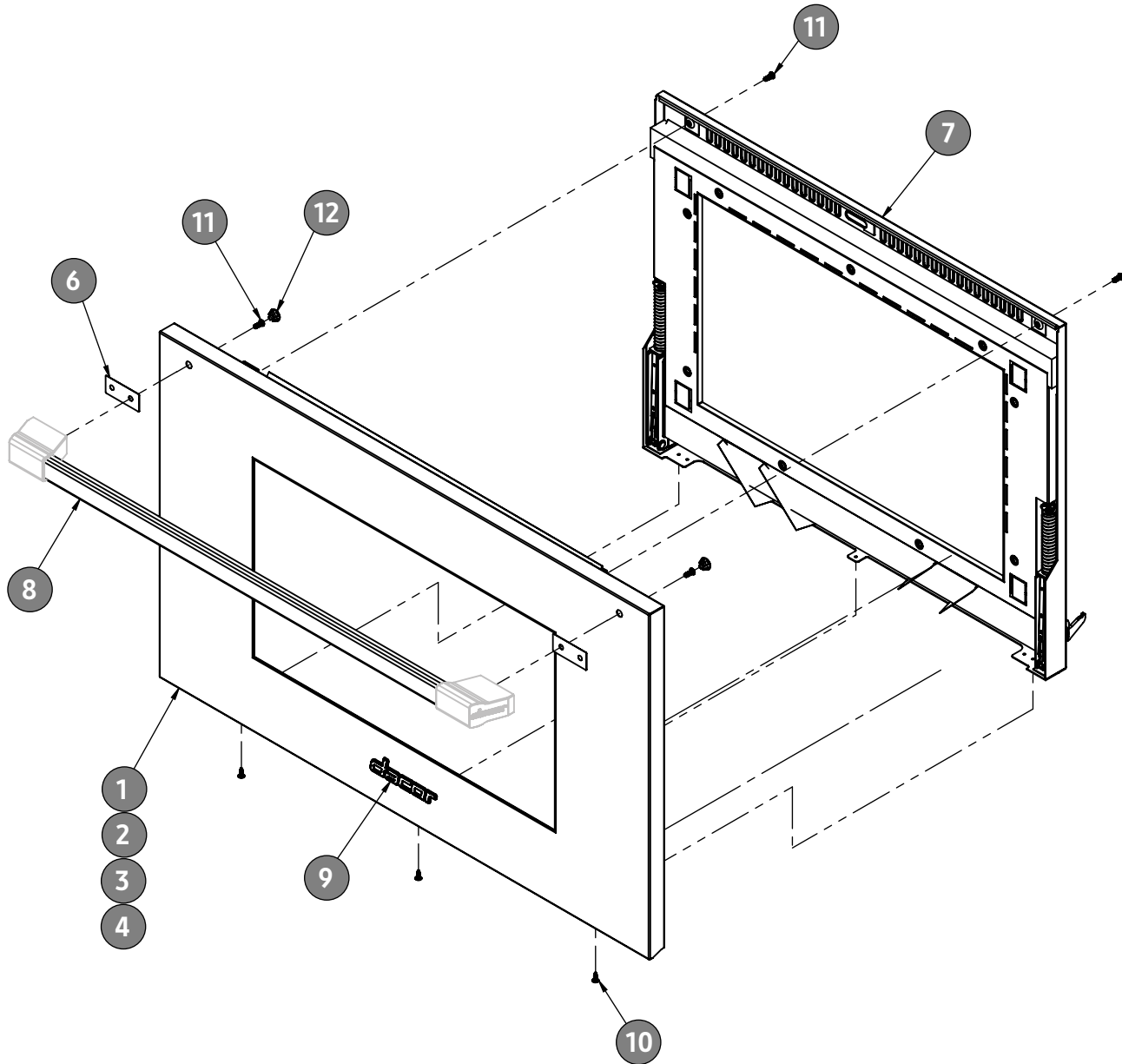
HDPR36 - DOOR ASSEMBLY PARTS LIST



Item	Part No.	Description
1	701875-05BP	WELD ASSY, LINER, DOOR, 1IN THK, 36/48IN CELL
2	100015	GASKET, WINDOW PACK, 36"/48"L
3	72793	SPACER, DOOR LINER
4	92387	TAPE, VHB, DOUBLE SIDED
5	108831B	SHIELD, HEAT, 30.25IN., BLACK
6	83709	SCREW, #8 X 1/2", TORX, BLK OXIDE
7	83420	SCREW, BTN SHCS
8	83432	WASHER, BLACK FLAT
9	113479	TEMPERED GLASS, 14.063 X 23.094 X 3/16
10	113445	FRAME, LOWER, WINDOW PACK, 30"
11	108805	HINGE, SPRING, DYRP36

Return to Page 1

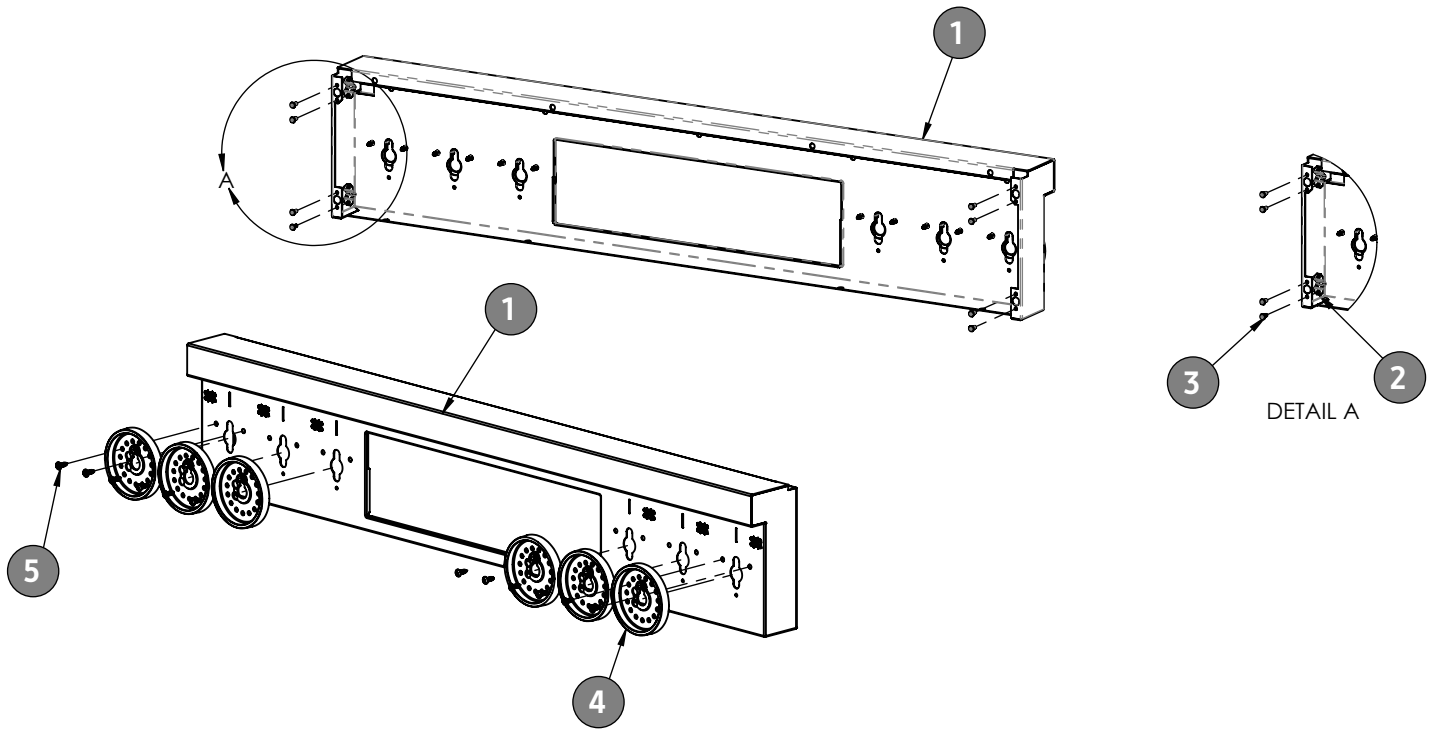
HDPR36 - DOOR ASSEMBLY PARTS LIST



Item	Description	Part No. S	Part No. CA	Part No. CD	Part No. CR	Part No. CW
1	ASSY, DOOR SKIN, 36IN	703415FAH	-	-	-	-
2	ASSY, DOOR SKIN, 36IN	-	703415FAHCA	-	-	-
3	ASSY, DOOR SKIN, 36IN	-	-	703415FAHCD	-	-
4	ASSY, DOOR SKIN, 36IN	-	-	-	703415FAHCR	-
5	ASSY, DOOR SKIN, 36IN	-	-	-	-	703415FAHCW
6	DOOR HANDLE SPACER	-	115319	115319	115319	115319
7	ASSY. DOOR LINER	702301-02	702301-02	702301-02	702301-02	702301-02
8	36" DOOR HANDLE	107781-05	107781-05	107781-05	107781-05	107781-05
9	HERITAGE LOGO, 120mm	110169	110169	110169	110169	110169
10	SCREW, #8 X 1/2", TORX, BLK OXIDE	83709	83709	83709	83709	83709
11	SCREW, BTN SHCS	83420	83420	83420	83420	83420
12	PLUG, SKIN, DOOR, 36"	100376	100376	100376	100376	100376

Return to Page 1

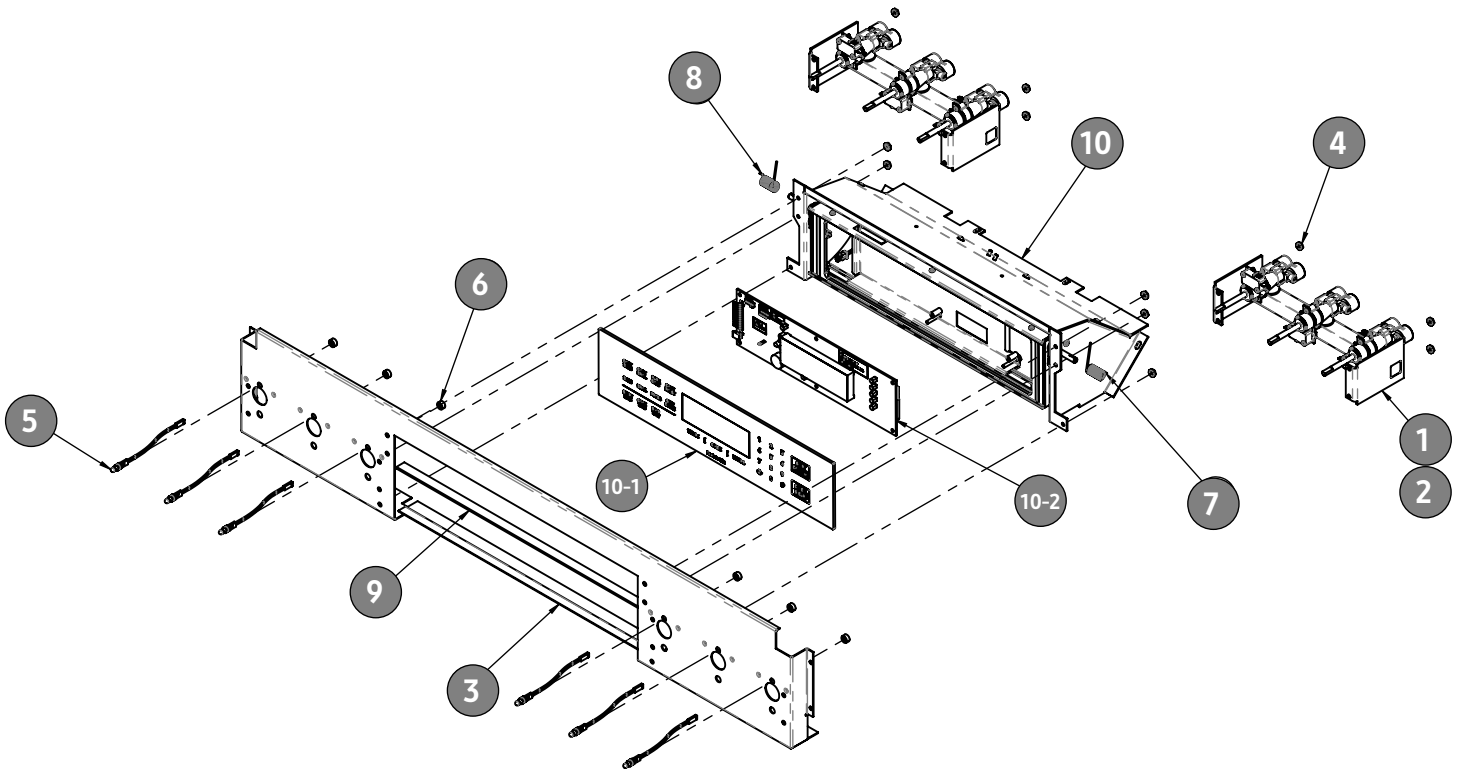
H DPR36 - ASSEMBLY CONTROL PANEL PARTS CATALOG



Item	Part No.	Description
1	703173FAHE	WELDMENT, CTRL PANEL, ETCHED
2	83540	BALL STUD CATCH
3	83652	RIVET, 1/8", DOME HD
4	113485	RING, TRIM
5	83709	SCREW, #8 X 1/2", TORX, BLK OXIDE

Return to Page 1

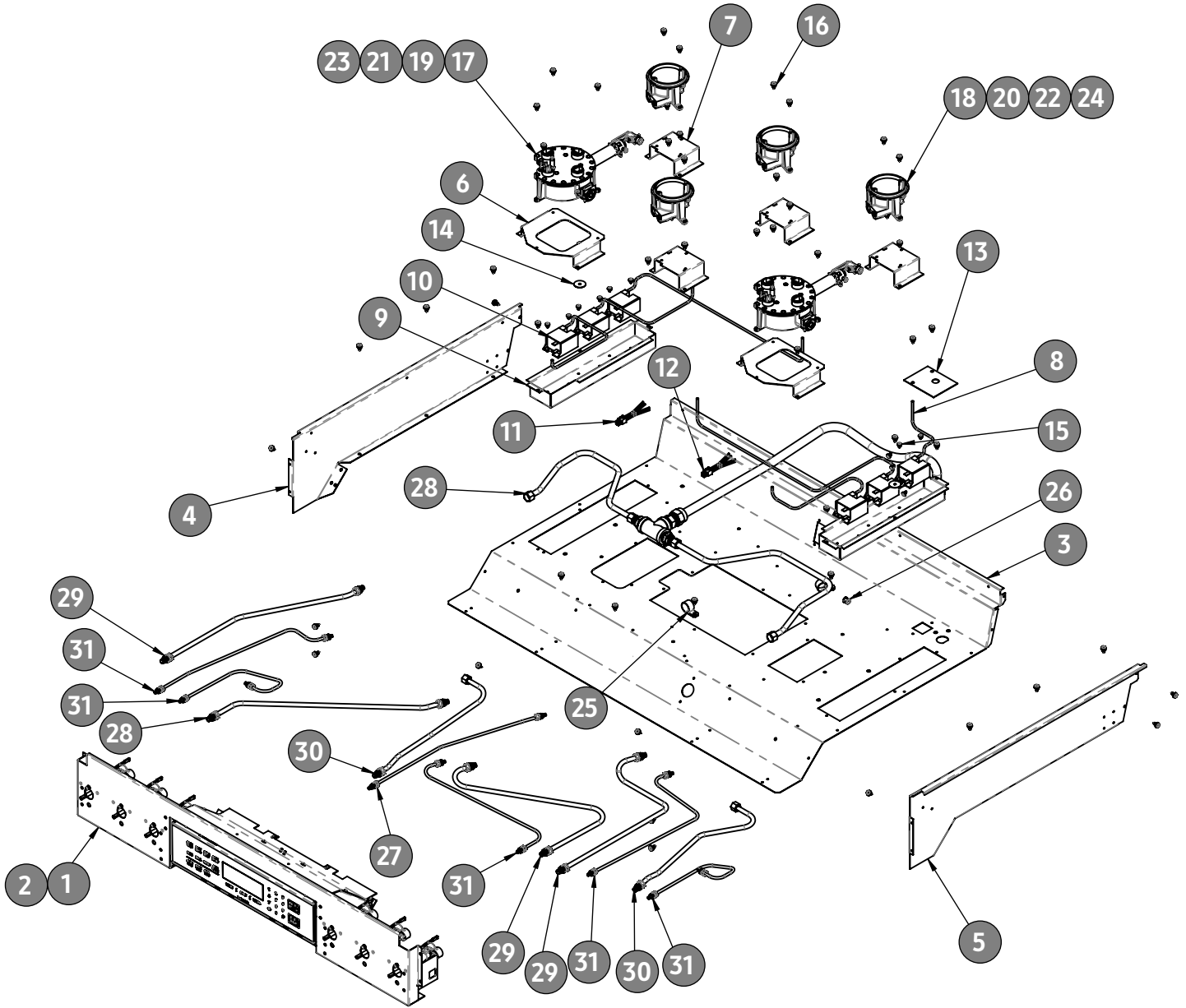
HDPR36 - ASSEMBLY SUB PANEL PARTS CATALOG



Item	Part No. NG/NGH	Part No. LP/LPH	Description
1	702045-01	-	ASSY, MANIFOLD, NG/NG-HA
2	-	702045-02	ASSY, MANIFOLD, LP/LP-HA
3	703193	703193	ASY, STUD, SUB PANEL
4	83308	83308	6-32 KEPS NUT
5	115038	115038	ASSY, BRIGHTER LED/SOCKET WHITE
6	103757	103757	RETAINING RING, LED
7	100062	100062	SPRING, TORSION, RIGHT
8	100063	100063	SPRING, TORSION, LEFT
9	62235	62235	FELT WIPER 30"
10	704007-02	704007-02	ASY, ENCLOSURE, CONTROL
10-1	703223	703223	Asy,Glass Touch Ctrl,Sng
10-2	113514-1	113514-1	LED, Controller, Single

[Return to Page 1](#)

HDPR36 - ASSEMBLY COOKTOP PARTS CATALOG



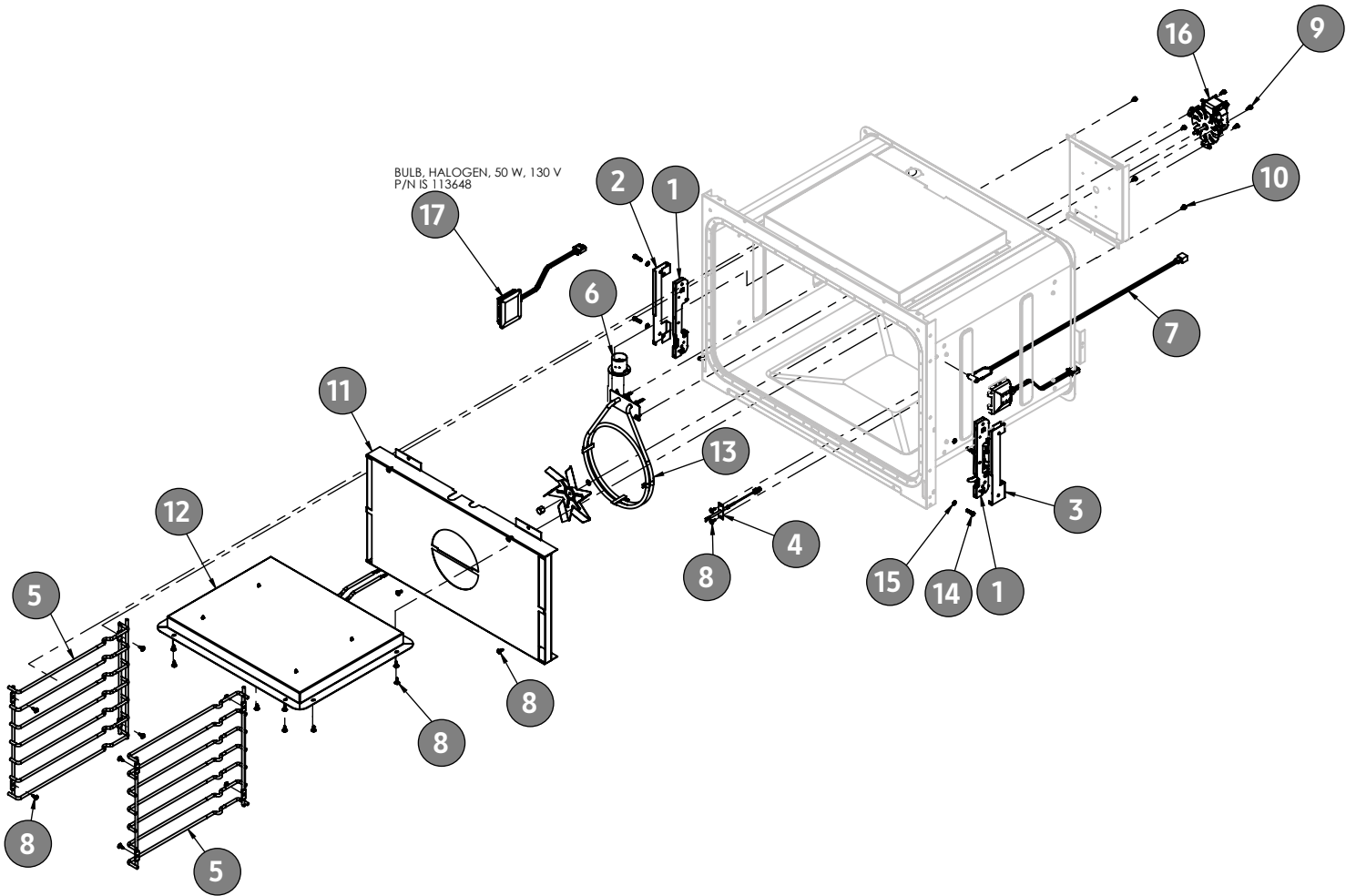
[Return to Page 1](#)

HDPR36 - ASSEMBLY COOKTOP PARTS LIST

Item	NG Part No.	LP Part No.	NGH Part No.	LPH Part No.	Description
1	704010-01	-	704010-01	-	ASY, SUB-PANEL, NG/NG-H
2	-	704910-02	-	704910-02	ASY, SUB-PANEL, LP/LPH
3	113375	113375	113375	113375	CHASSIS, BASE
4	107963-01	107963-01	107963-01	107963-01	SUPPORT, UPPER, LH
5	107963-02	107963-02	107963-02	107963-02	SUPPORT, UPPER, RH
6	107877	107877	107877	107877	SUPPORT, BURNER, LARGE
7	107878	107878	107878	107878	SUPPORT, BURNER, MED.
8	108379	108379	108379	108379	SET, IGNITER WIRE
9	107976	107976	107976	107976	ENCLOSURE, IGNITER
10	72634	72634	72634	72634	RE-IGNITION MODULE
11	108376	108376	108376	108376	HARNESS, COOKTOP, 110 VAC LINE
12	108377	108377	108377	108377	WIRE HARNESS, COOKTOP
13	102159	102159	102159	102159	PLATE COVER, MANIFOLD HOLE
14	83533	83533	83533	83533	WASHER, .880D X .165ID
15	83001	83001	83001	83001	SCREW, PHIL PAN HD, 8 x 1/4"
16	83023	83023	83023	83023	SCREW, SLOT HWH, #10 X 3/8
17	701985-01	-	-	-	ASSY, DUAL BURNER, 18K, NG
18	701985-02	-	-	-	ASSY., INJECTOR HOLDER, 15K, NG
19	-	701985-02	-	-	ASSY, DUAL BURNER, 18K, LP
20	-	701989-02	-	-	ASSY., INJECTOR HOLDER, 15K, LP
21	-	-	701985-03	-	ASSY, DUAL BURNER, 18K, NGHA
22	-	-	701989-03	-	ASSY., INJECTOR HOLDER, 15K, NG-HA
23	-	-	-	701985-04	ASSY, DUAL BURNER, 18K, LPHA
24	-	-	-	701989-04	ASSY., INJECTOR HOLDER, 15K, LP-HA
25	83167	83167	83167	83167	CLAMP, CABLE 3/4"
26	83523	83523	83523	83523	BUSHING, 3/8"
27	100788	100788	100788	100788	3/16 CENTER REAR FLEX TUBE, EG486
28	702281	702281	702281	702281	ASSY, TUBING, INLET
29	100579	100579	100579	100579	S.S. FLEXTUBING 5/16 X 18, M./M.
30	100578	100578	100578	100578	S.S. FLEXTUBING 5/16 X 21, M./F.
31	100900	100900	100900	100900	S.S. FLEXTUBING 3/16 X 16, M./M.

Return to Page 1

HDPR36 - ASSEMBLY OVEN CELL PARTS CATALOG

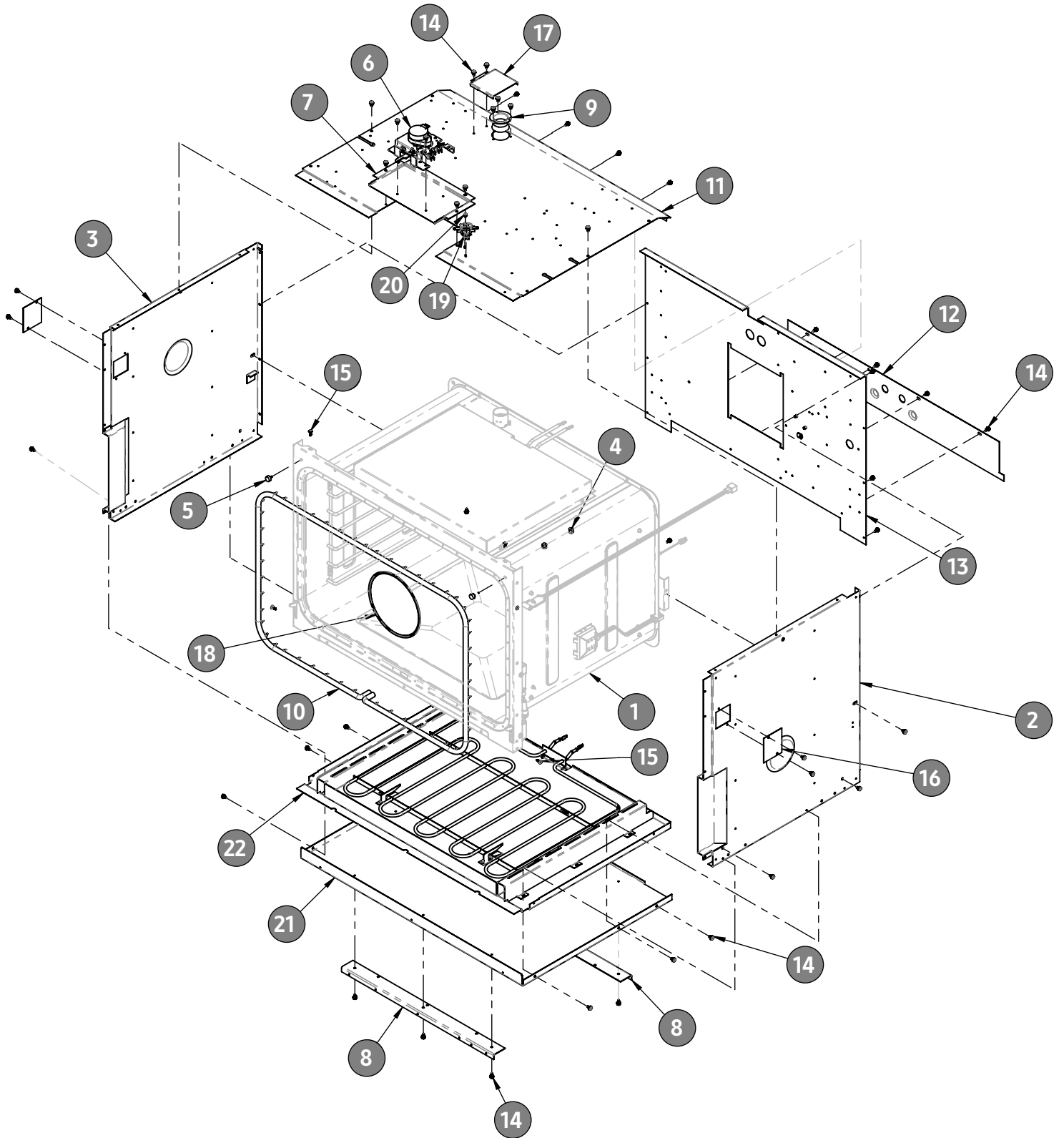


[Return to Page 1](#)

HDPR36 - ASSEMBLY OVEN CELL PARTS LIST

Item	Part No.	Description
1	107511	DAMPER, RECEPTACLE, HINGE
2	701895-01	WELDMENT, RECEPTICAL HOLDER LEFT
3	701895-02	WELDMENT, RECEPTICAL HOLDER RIGHT
4	72752	SENSOR, TEMPERATURE
5	106991	SUPPORT RACK
6	72755	ELIMINATOR, SMOKE
7	72717	MEAT PROBE SOCKET
8	83708	SCREW, TRX WFR HD, #8 X 1/2"
9	83379	SCREW, #8-1/2 THREAD TYPE A
10	83023	SCREW, SLOT HWH, #10 X 3/8
11	105329BP	CONVECTION BAFFLE
12	703925	ASSY, BROIL, 3600
13	72719	ELEMENT, CONVECTION
14	108509	#10-32 X .75, HEX HD, MACHINE SCREW
15	108510	10-32 LOCK WASHER, EXT. TOOTH
16	700633	CONVECTION MOTOR
17	113647	ASSY, LIGHT, HALOGEN,

H DPR36 - OVEN CASE PARTS CATALOG

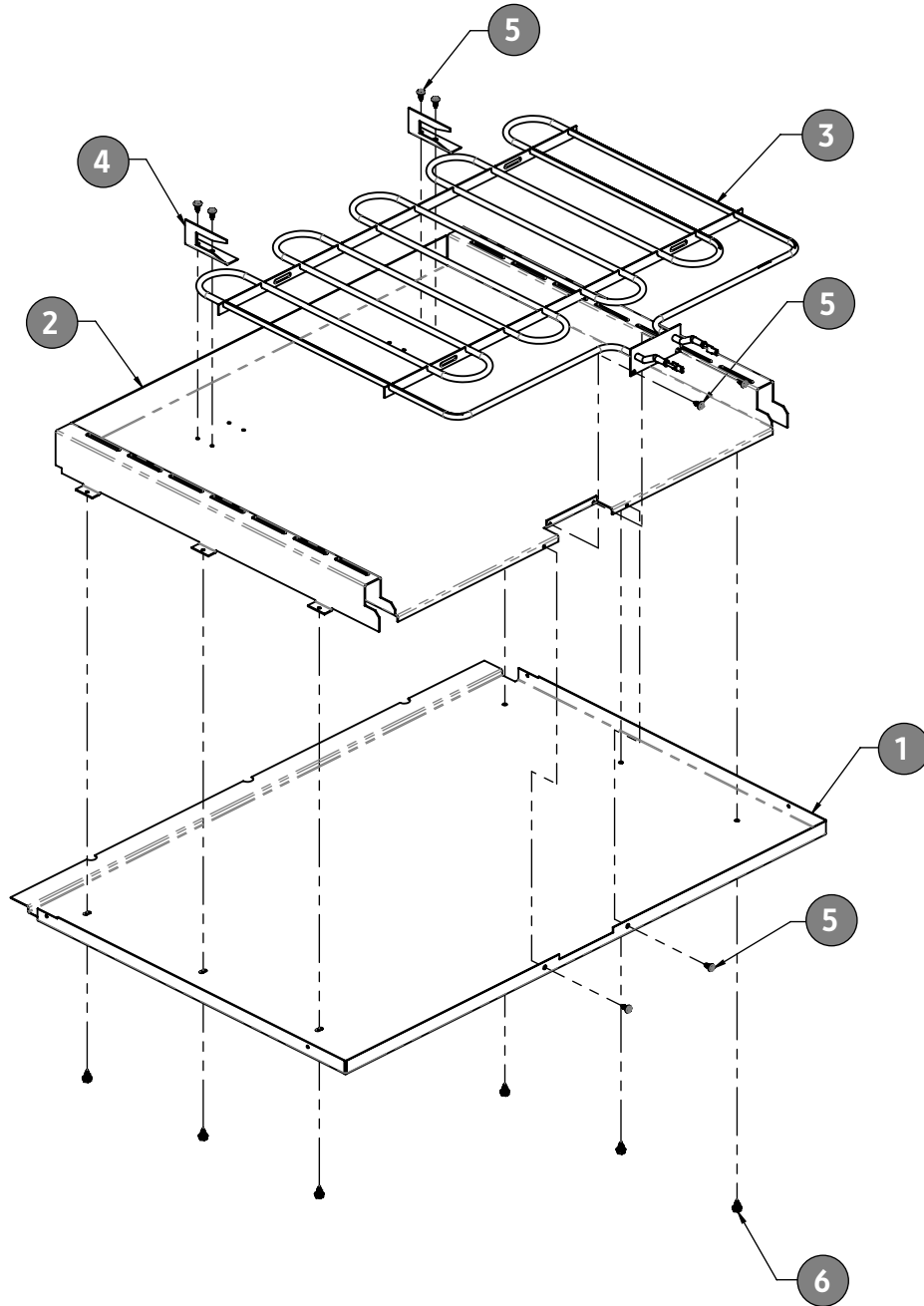


[Return to Page 1](#)

HDPR36 - OVEN CASE PARTS LIST

Item	Part No.	Description
1	703942	ASSY, CELL, 30.25IN OVEN
2	701851	WELDMENT, CASESIDE RT
3	701852	WELDMENT, CASESIDE LF
4	83523	BUSHING, 3/8"
5	108537	BUMPER, DOOR
6	100090	LATCH, CLASSIC WALL OVEN
7	105356	LATCH PLATE
8	108070	BRKT, CELL MOUNTING, 30.25IN
9	105485	SMOKE ELIMINATOR TOP
10	107743	GASKET CELL, 36"
11	107776	TOP, CASE, 30.25IN
12	107777	COVER, BAKE ACCESS, 30.25IN
13	701961	WELDMENT, CASE REAR
14	83023	SCREW, SLOT HWH, #10 X 3/8
15	83709	SCREW, #8 X 1/2", TORX, BLK OXIDE
16	105471	COVER, MEAT PROBE
17	107778	DUCT, SMOKE
18	92322	FILTER, CONVECTION, OVEN
19	92321	HIGH LIMIT SWITCH
20	101693	SCREW, 6-32 X 5/16 PH PN
21	107780	BOTTOM, CASE, 30.25IN
22	701960	ASSY, BAKE, 30.25IN

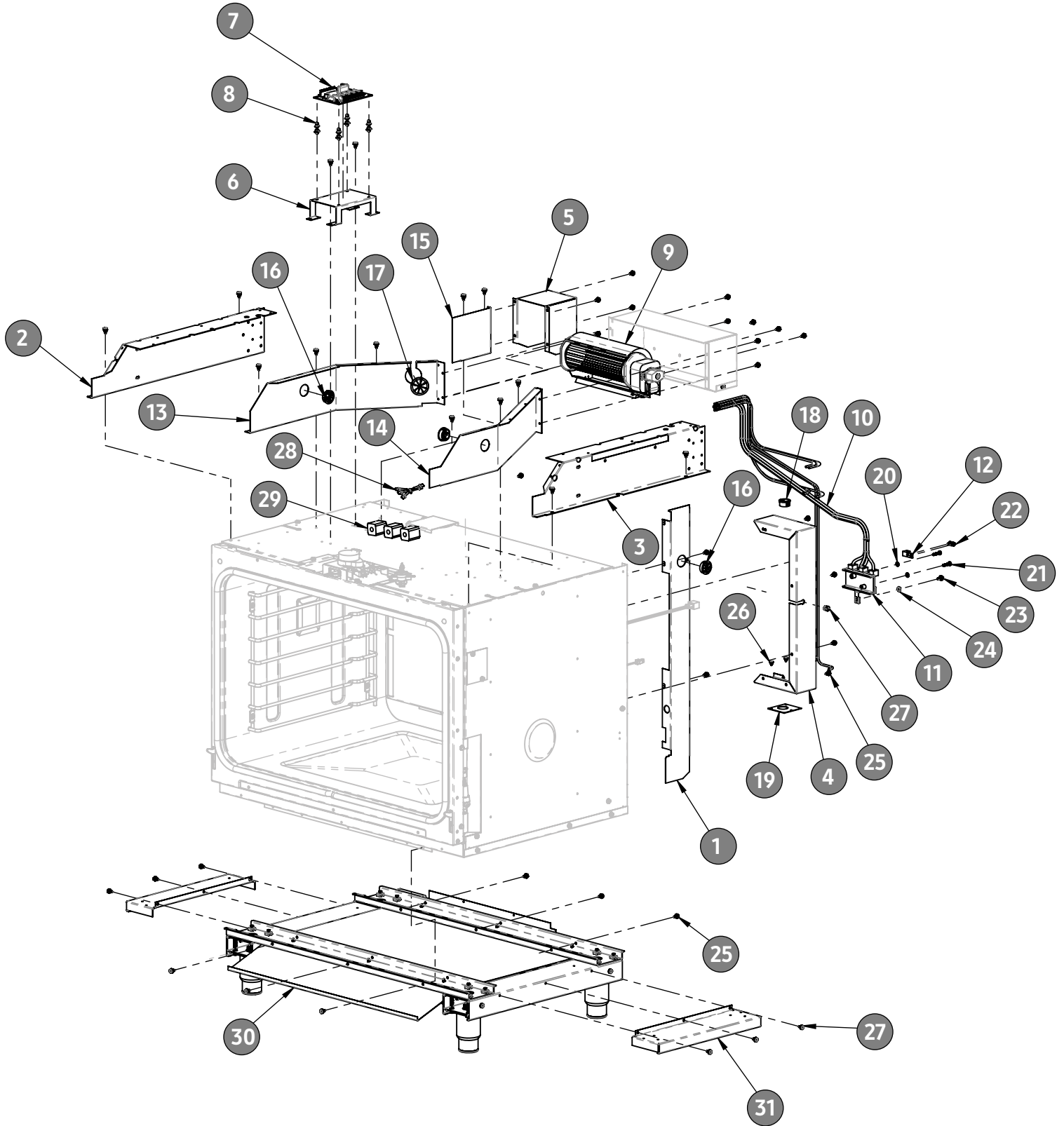
HDPR36 - ASSEMBLY BAKE PARTS CATALOG



Item	Part No.	Description
1	10775	BOTTOM, CASE PAN
2	10774	PAN, BAKE, 30.25IN CELL
3	106898	BAKE ELEMENT, 10-PASS, 3000W, 240V
4	107239	HOLDER, BAKE ELEMENT
5	83505	SCREW, #8X3/8, TYPE A
6	83023	SCREW, SLOT HWH, #10 X 3/8

[Return to Page 1](#)

HDPR36 - ASSEMBLY OVEN BASE PARTS CATALOG

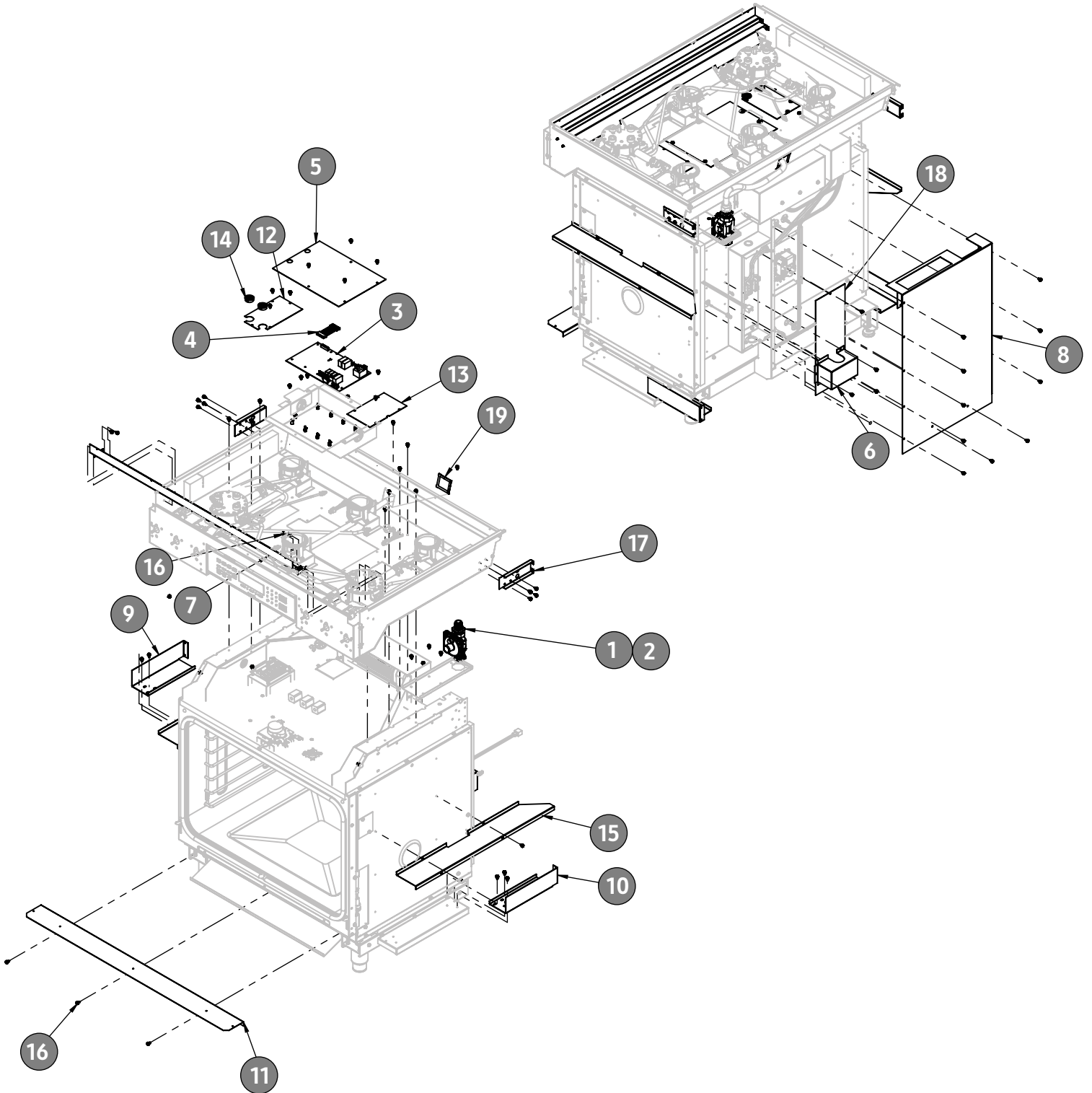


[Return to Page 1](#)

HGPR36 - ASSEMBLY OVEN BASE PARTS LIST

Item	Part No.	Description
1	108251	DUCT, EXHAUST, SIDE
2	107814-01	SUPPORT, LOWER, LH
3	107814-02	SUPPORT, LOWER, RH
4	113689	BOX, JUNCTION
5	113691	COVER, HARNESS, REAR
6	108247	BRKT, LED ISOLATION BOARD
7	106104	BOARD, LED ISOLATOR
8	83538	SUPPORT, NYLON PCB
9	82347	FAN, COOLING, 110 CFM
10	113344	HARNESS, MAIN
11	102384	TERMINAL BLOCK, 3 POLE
12	102383	LUG, GROUNDING
13	107961	DEFLECTOR, AIR, LH
14	108249	DEFLECTOR, AIR, RH
15	108250	BRKT, MAIN HARNESS
16	92191-02	BUSHING, SPLIT 1.00"
17	92191-03	BUSHING, SPLIT 1.375"
18	83056	BUSHING HEYCO SB-875-11
19	102385-01	ADAPTER, HOLE REDUCER
20	83272	FLATWASHER,#8 S.S.
21	83408	PHIL PAN #8-32 X 3/4 SCREW
22	83019	SCREW, HEX HEAD, #8 X 3/8" (A) POINT
23	102403	SCREW, SLOT HEX, PHIL
24	102402	CUP WASHER
25	83023	SCREW, SLOT HWH, #10 X 3/8
26	83001	SCREW, PHIL PAN HD, 8 x 1/4"
27	83523	BUSHING, 3/8"
28	115307	ASY, WIRE HARNESS, EXTENSION, OVEN LIGHTS
29	113533	FERRITE CORE, BNF18GR
30	703169-01	ASY, BASE, 30"
31	107958	SPACER, SIDE PANEL

HDPR36 - ASSEMBLY COOKTOP & OVEN PARTS CATALOG

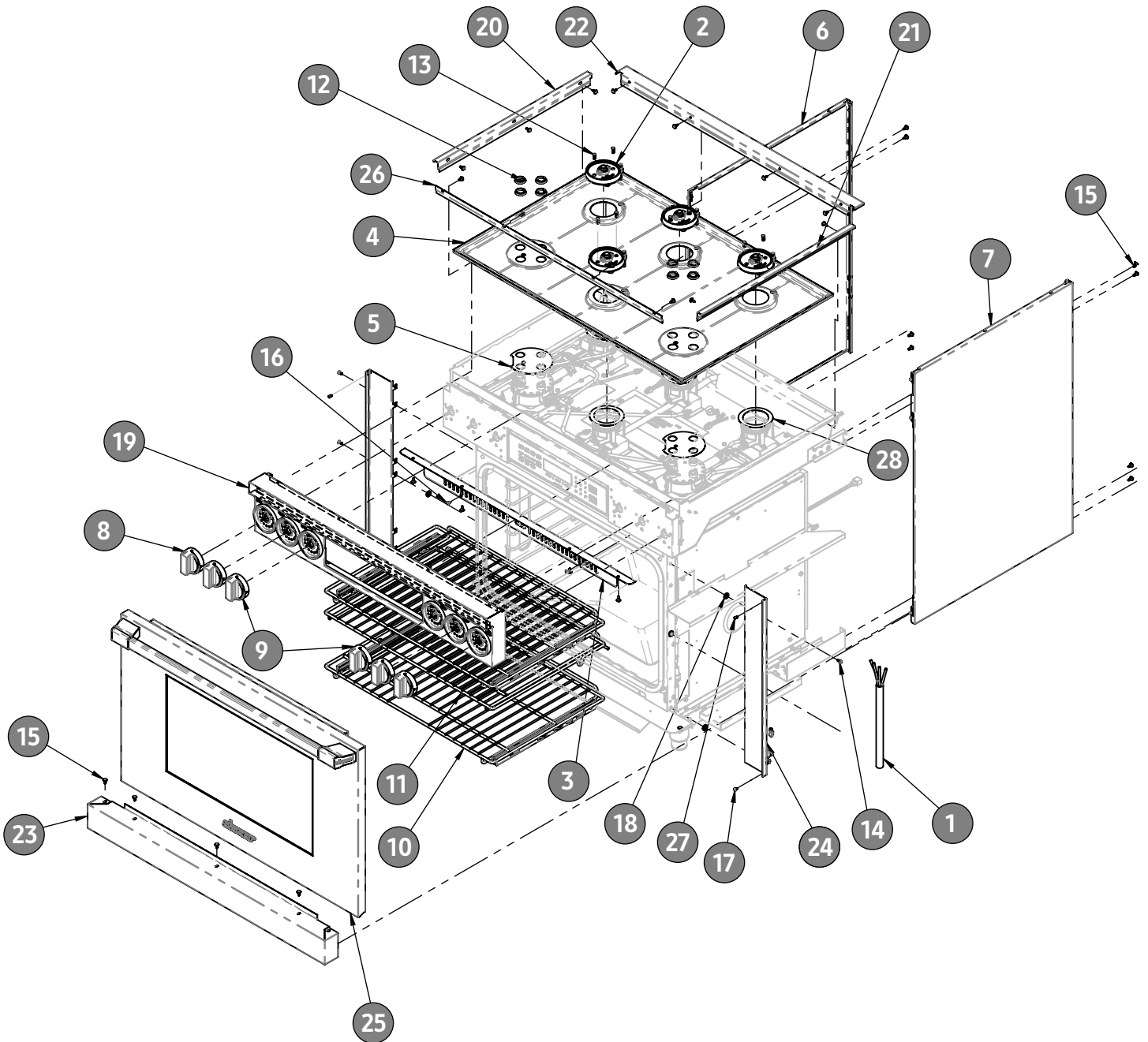


[Return to Page 1](#)

HDPR36 - ASSEMBLY COOKTOP & OVEN PARTS LIST

Item	Part No. NG	Part No. LP	Part No. NGH	Part No. LPH	Description
1	100653	-	100653	-	ASSY, REGULATOR SUP./CLAMP, NG
2	-	100965	-	100965	ASSY, REGULATOR SUP./CLAMP, LP
3	102377	102377	102377	102377	Relay Board, Sngl Wall
4	113346	113346	113346	113346	WIRE HARNESS, POWER BOARD
5	113402	113402	113402	113402	COVER, ACCESS BOARD
6	107806	107806	107806	107806	ENCLOSURE, RTD
7	113387	113387	113387	113387	SUPPORT, SPILL TRAY
8	113688	113688	113688	113688	COVER, REAR
9	107968-01	107968-01	107968-01	107968-01	SUPPORT, SIDE, LOWER,
10	107968-02	107968-02	107968-02	107968-02	SUPPORT, SIDE, LOWER, RH
11	107966	107966	107966	107966	MTG, KICK PANEL
12	108245	108245	108245	108245	COVER, ACCESS, ISO. BOARD
13	108243	108243	108243	108243	COVER, ACCESS, TRANSFORMER
14	92191-02	92191-02	92191-02	92191-02	BUSHING, SPLIT 1.00"
15	109309	109309	109309	109309	STIFFENER, SIDE PANELS
16	83023	83023	83023	83023	SCREW, SLOT HWH, #10 X 3/8
17	108253	108253	108253	108253	SUPPORT, SIDE, UPPER
18	113690	113690	113690	113690	COVER, ELECTRICAL CHASE
19	62350	62350	62350	62350	TRIM EDGE, INCHES

HDPR36 - RANGE PARTS CATALOG



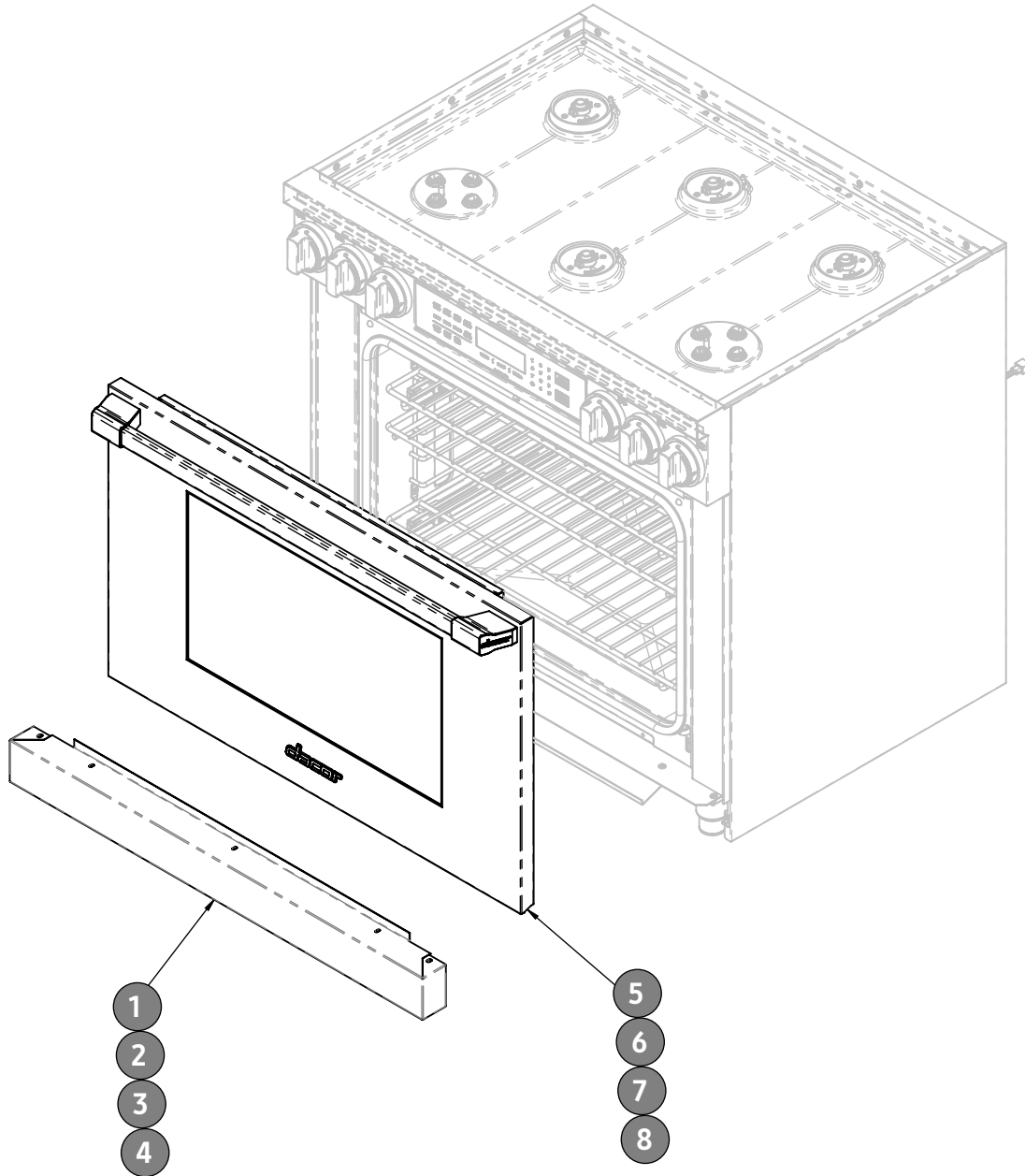
[Return to Page 1](#)

HDPR36 - ASSEMBLY RANGE PARTS LIST

Item	Part No.	Description
1	102554-01	ASSY, POWER CORD
2	112089	ASSY, BASE, 16K, PYRAL
3	113404B	GRILL, INTAKE
4	113694BP	SPILL TRAY, BLACK PORCELAIN
5	700145	GASKET, DUAL BURNER, GRAPHITE
6	701973-01	ASSY, SIDE PANEL, LH
7	701973-02	ASSY, SIDE PANEL, RH
8	107761-01	KNOB, ILLUMINATED, SIMMER
9	107761-02	KNOB, ILLUMINATED, GRIDDLE
10	701938	ASSY, GLIDE RACK
11	107745	OVEN RACK
12	700017	BRASS RING M22 X 1
13	700007	SCREW, COUNTER SINK TORX
14	83709	SCREW, #8 X 1/2", TORX, BLK OXIDE
15	83708	SCREW, TRX WFR HD, #8 X 1/2"
16	83263	SCREW, PHILL, ROUND WASHER, HD.
17	100438	#8X1/4 PHIL HI-LO SCREW
18	83555	FIBER WASHER
19	703174FAH	ASSY, CTRL PANEL
20	703323FAH-01	WELDMENT, SIDE TRIM, LH
21	703323FAH-02	WELDMENT, SIDE TRIM, RH
22	703318FAH	WELDMENT, REAR TRIM
23	702051FAH	ASSY, KICK PANEL, DARK DEMIN
24	107974FAH	TRIM, SIDE
25	703416FAH	ASSY, DOOR, 36IN
26	107977FAH	TRIM, COOKTOP, FRONT
27	109658	SCREW, #6-32 X 3/8" PHIL FL HD TYPE F
28	112044	GASKET, 16K (DIA 94mm)

[Return to Page 1](#)

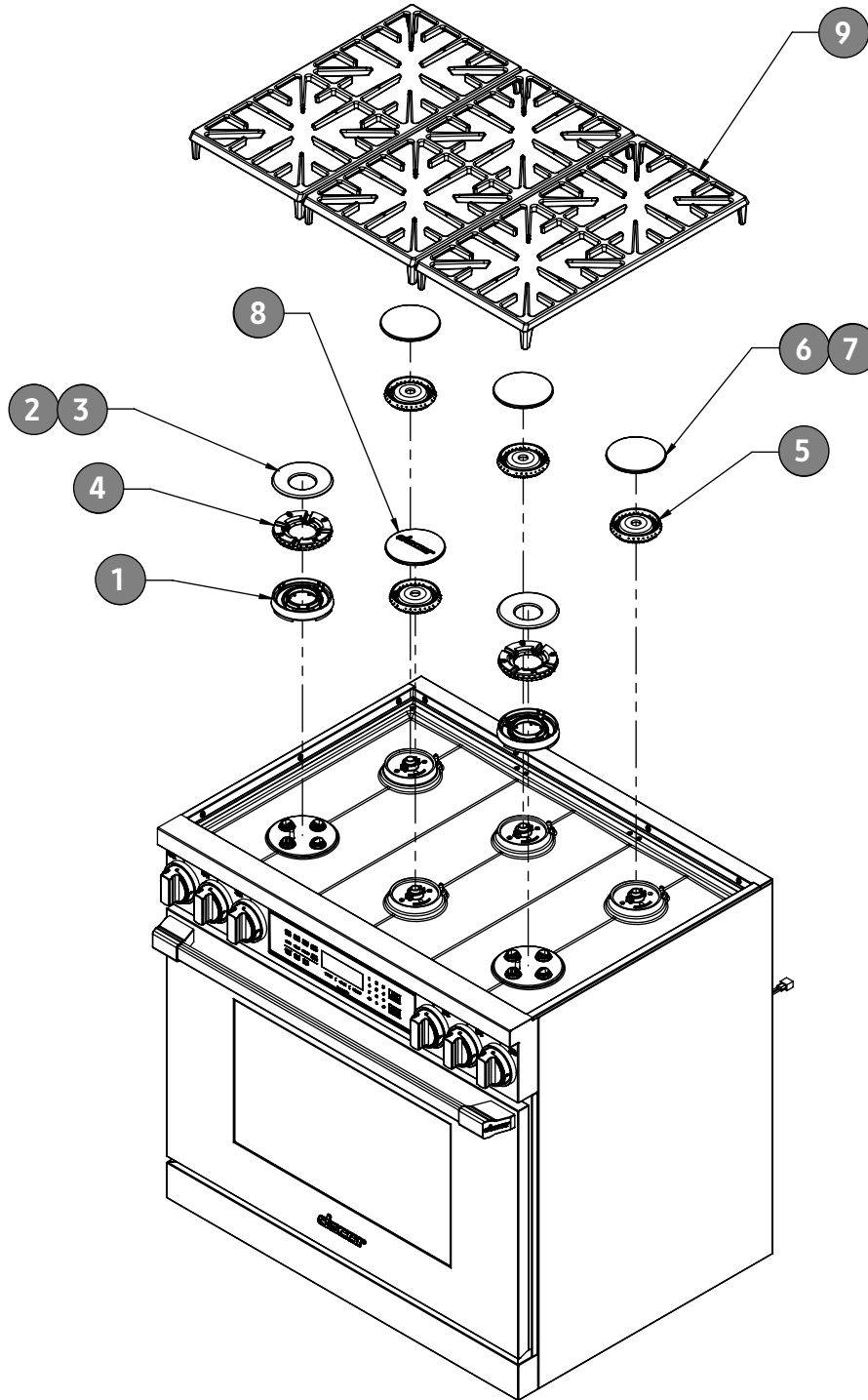
H DPR36 - ASSEMBLY RANGE COLOR



Item	Part No. CA	Part No. CD	Part No. CR	Part No. CW	Description
1	702051FAHCA	-	-	-	ASSY, KICK PANEL, ANTHRACITE
2	-	702051FAHCD	-	-	ASSY, KICK PANEL, DARK DENIM
3	-	-	702051FAHCR	-	ASSY, KICK PANEL, HAUTE RED
4	-	-	-	702051FAHCW	ASSY, KICK PANEL, BRIGHT WHITE
5	703416FAH-01CA	-	-	-	ASSY, DOOR, 36IN
6	-	703416FAH-01CD	-	-	ASSY, DOOR, 36IN
7	-	-	703416FAH-01CR	-	ASSY, DOOR, 36IN
8	-	-	-	703416FAH-01CW	ASSY, DOOR, 36IN

[Return to Page 1](#)

HDPR36 - PARTS CATALOG CAP



Item	Part No.	Description
1	110563	BASE, BURNER, 18K
2	108062-01	Burner Cap, 18K, Brass
3	108062-02	CAP, BURNER, 18K, DUAL, PORCELAIN
4	700028	RING, BURNER, 18K
5	101547	RING, BURNER, 16K
6	108068-01	CAP, BURNER, 16K
7	108068-02	Burner Cap, 16K, Blk Porc
8	108061-01	CAP, BURNER, MED., LOGO, BRASS
9	702035MB	GRATE, 4 FINGER, 11 1/4" X 23"