



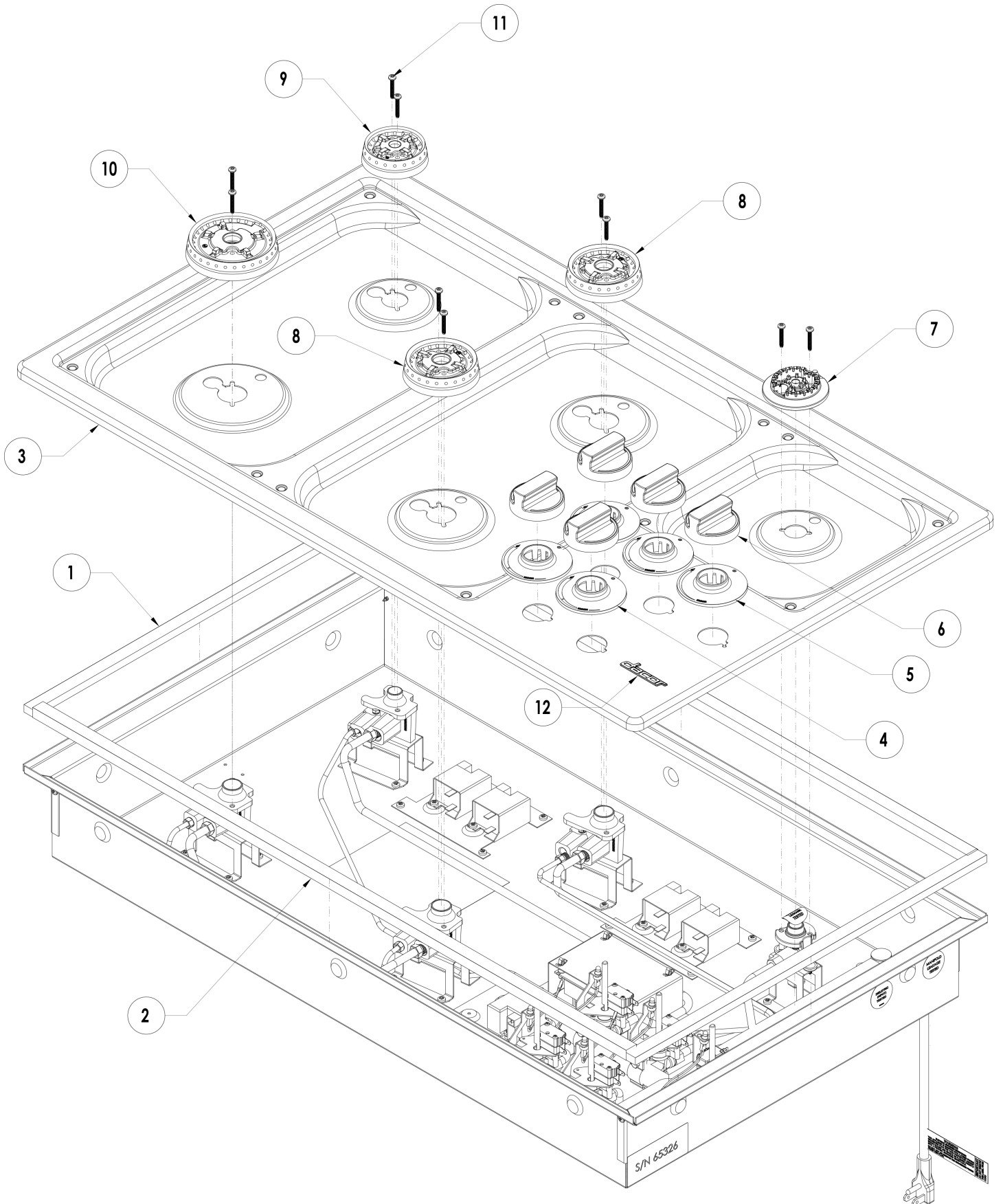
LET THE SHOW BEGIN

# PARTS CATALOG

## HDCT365 Heritage Dual Gas Cooktop

| Assembly Drawings |                                     |
|-------------------|-------------------------------------|
| Page              | Description                         |
| <a href="#">2</a> | Cooktop Assembly                    |
| <a href="#">4</a> | Chassis Assembly                    |
| <a href="#">6</a> | Grate Assembly                      |
| <a href="#">7</a> | Burner Caps, Reducer, Hold Down Kit |
| <a href="#">8</a> | Manifold Assembly                   |
| <a href="#">9</a> | Valve Assembly                      |

# HDCT365 Cooktop Assembly



Return to Page 1

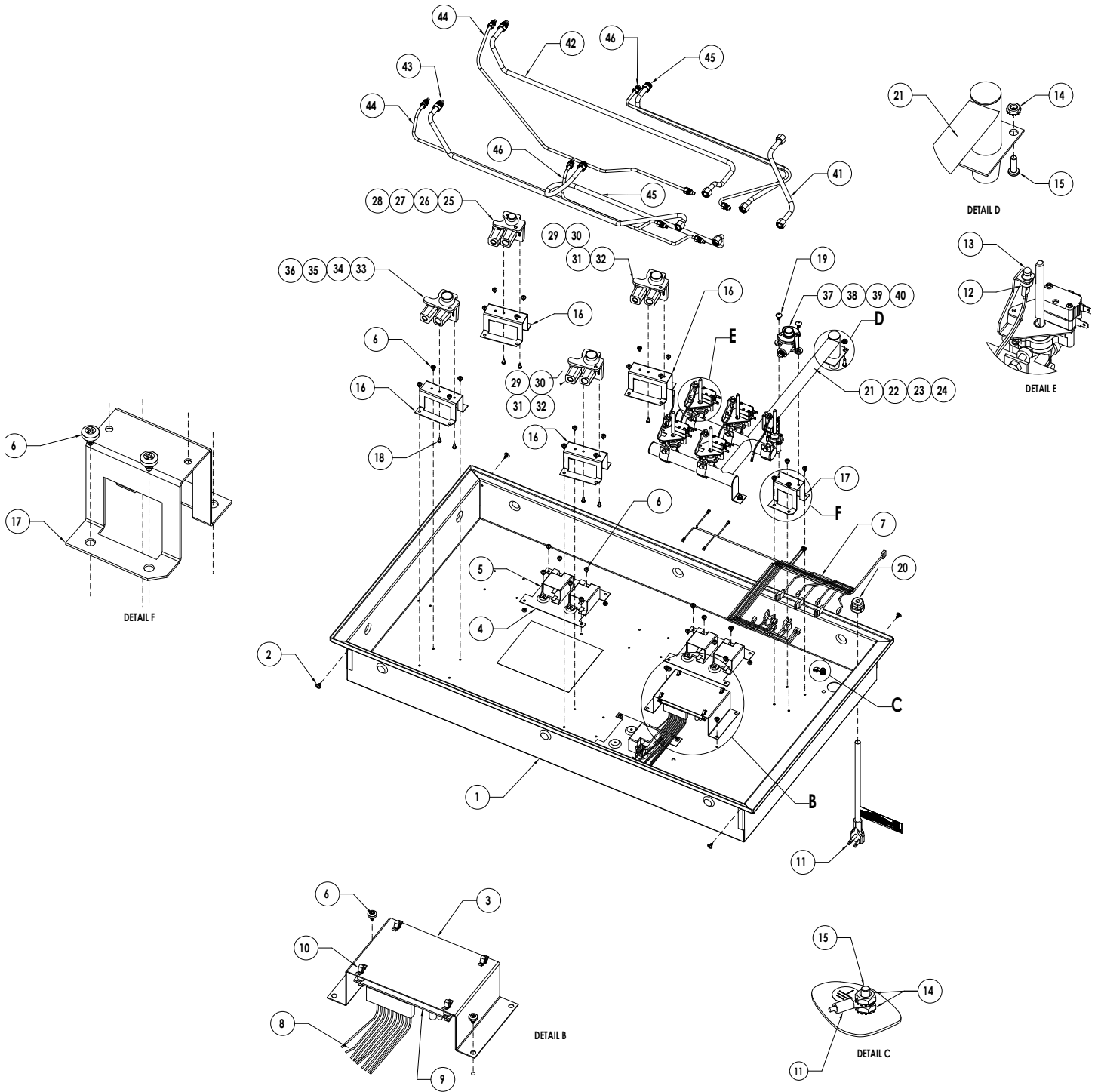
## HDCT365 Cooktop-Assembly Parts List

| Item | Part No.  | Description                              |
|------|-----------|--|
| 1    | 92310-001 | GASKET, FOAM, TOP FRAME/CHASSIS          |
| 2    | 92310-003 | GASKET, FOAM, TOP FRAME/CHASSIS          |
| 3    | 703733    | ASSY, TOP FRAME WITH LOGO                |
| 4    | 108924-04 | PROTECTOR, DUAL VALVE SPILL              |
| 5    | 108924-05 | PROTECTOR, SINGLE VALVE SPILL            |
| 6    | 109321    | KNOB, ILLUMINATED                        |
| 7    | 113956    | BURNER ASS'Y, G8 AUX*a                   |
| 8    | 703603    | BURNER ASSY, 12.5K DRALO RAPIDE*         |
| 9    | 703602    | BURNER ASSY, 9.5K DRALO SEMI-RAPIDE*     |
| 10   | 703604    | BURNER ASS'Y, 15K/18K DRALO UR*          |
| 11   | 115002    | THD-FORMING SCREW, M4 X 0.7MM X 25MM LG. |
| 12   | 110166    | HERITAGE, LOGO 3"                        |

\*Igniter Included in Burner Assembly

[Return to Page 1](#)

# HDCT365 Chassis Assembly



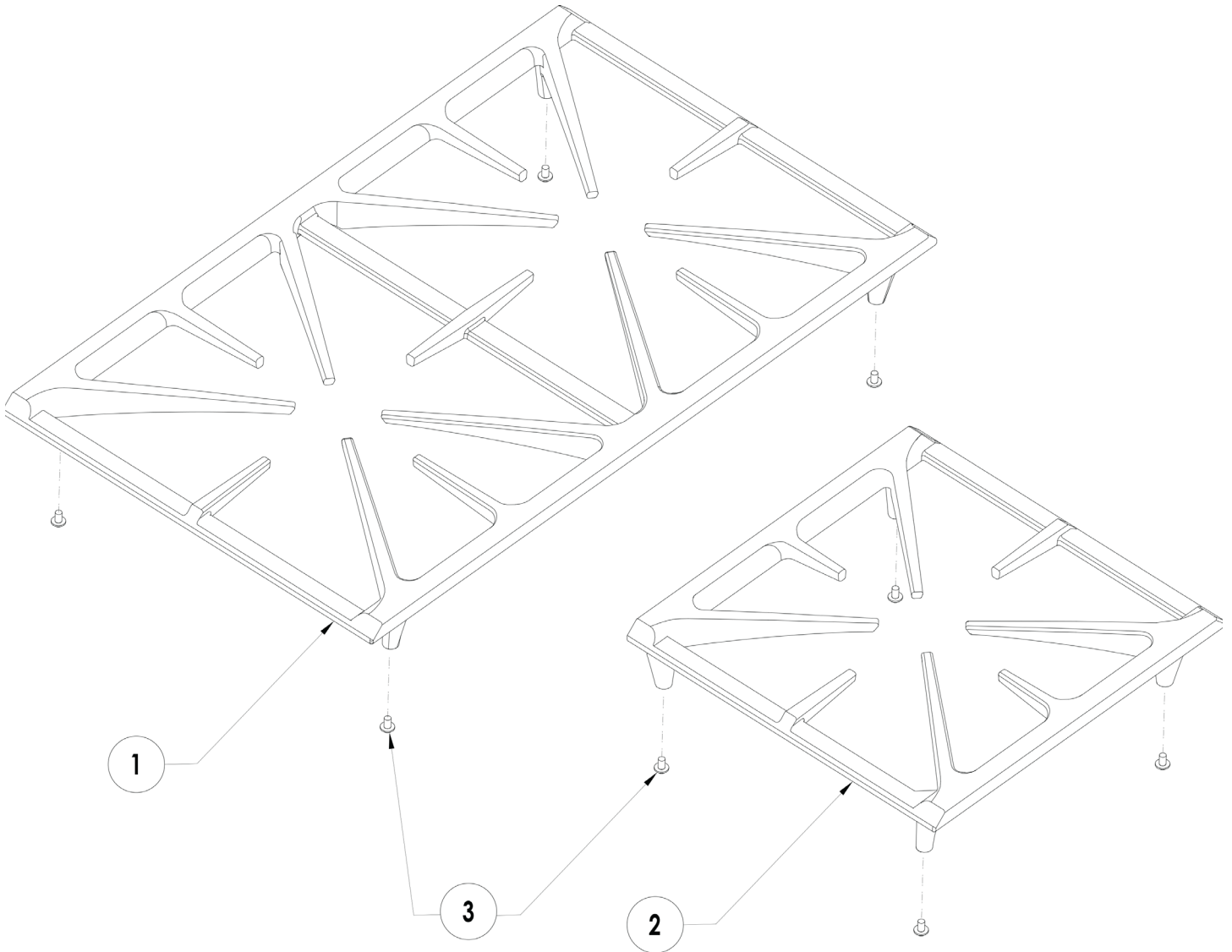
Return to Page 1

## HDCT365 Chassis-Assembly Parts List

| Item | Part No.  | Description  |
|------|-----------|--|
| 1    | 115048    | CHASSIS  |
| 2    | 83263     | SCREW, PHILL, ROUND WASHER, HD.                    |
| 3    | 103798    | BRACKET, LED ISOLATION                             |
| 4    | 46297     | IGNITER MOUNTING PLATE                             |
| 5    | 72634     | RE-IGNITION MODULE                                 |
| 6    | 83001     | SCREW, PHIL PAN HD, 8 x 1/4"                       |
| 7    | 115026    | WIRE HARNESS, 120VAC*                              |
| 8    | 103791    | WIRE HARNESS 5 VDC                                 |
| 9    | 106104    | BOARD, LED ISOLATOR                                |
| 10   | 83538     | SUPPORT, NYLON PCB                                 |
| 11   | 72765     | POWER SUPPLY CORD, FLAT PLUG                       |
| 12   | 103757    | RETAINING RING, LED                                |
| 13   | 115038    | ASSY, BRIGHTER LED/SOCKET                          |
| 14   | 83048     | NUT, HEX KEPS, #8-32                               |
| 15   | 83572     | SCREW, 8-32 X .50 LONG                             |
| 16   | 113940    | BRACKET, 9.5K/12.5K/18K JET HOLDER BASE            |
| 17   | 113939    | BRACKET, 9.5K G8 JET HOLDER BASE                   |
| 18   | 101693    | #6-32 X 5/16 PHIL, PAN, THREAD FRMNG TT, STL, ZINC |
| 19   | 83022     | PHIL TRS DH #10 X1/2 SCREW                         |
| 20   | 83141     | BUSHING, STRAIN RELIEF                             |
| 21   | 703595-01 | MANIFOLD ASSY, NG                                  |
| 22   | 703595-02 | MANIFOLD ASSY, LP                                  |
| 23   | 703595-03 | MANIFOLD ASSY, NGH                                 |

| Item | NG Part No. | Description                                   |
|------|-------------|---|
| 24   | 703595-04   | MANIFOLD ASSY, LPH                            |
| 25   | 703605-01   | HOLDER ASSY, HALO/DRALO SEMI-RAP ORIFICE, NG  |
| 26   | 703605-02   | HOLDER ASSY, HALO/DRALO SEMI-RAP ORIFICE, LP  |
| 27   | 703605-03   | HOLDER ASSY, HALO/DRALO SEMI-RAP ORIFICE, NGH |
| 28   | 703605-04   | HOLDER ASSY, HALO/DRALO SEMI-RAP ORIFICE, LPH |
| 29   | 703607-01   | HOLDER, HALO/DRALO RAP ORIFICE, NG            |
| 30   | 703608-01   | HOLDER, G8 AUX ORIFICE, LP                    |
| 31   | 703607-03   | HOLDER, HALO/DRALO RAP ORIFICE, NGH           |
| 32   | 703607-04   | HOLDER, HALO/DRALO RAP ORIFICE, LPH           |
| 33   | 703731-01   | HOLDER ASSY, HALO/DRALO UR ORIFICE, NG        |
| 34   | 703731-02   | HOLDER ASSY, HALO/DRALO UR ORIFICE, LP        |
| 35   | 703731-03   | HOLDER ASSY, HALO/DRALO UR ORIFICE, NGH       |
| 36   | 703731-04   | HOLDER ASSY, HALO/DRALO UR ORIFICE, LPH       |
| 37   | 703608-01   | HOLDER G8 AUX ORIFICE, NG                     |
| 38   | 703608-02   | HOLDER, G8 AUX ORIFICE, LP                    |
| 39   | 703608-03   | HOLDER, G8 AUX ORIFICE, NGH                   |
| 40   | 703608-04   | HOLDER, G8 AUX ORIFICE, LPH                   |

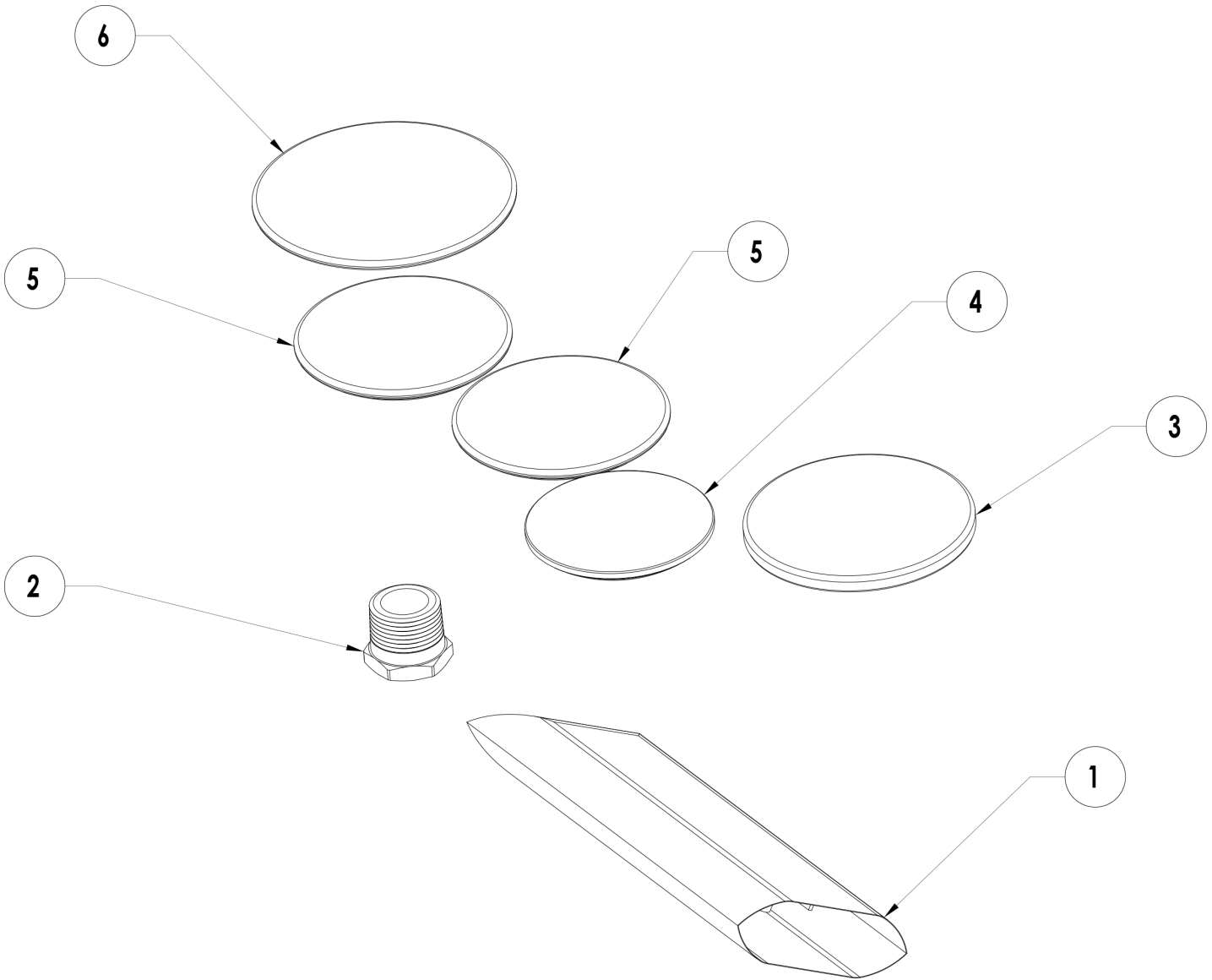
# HDCT365 Grate Assembly



| Item | Part No. | Description        |
|------|----------|--------------------|
| 1    | 108900   | Grate, 12"x20"     |
| 2    | 108901   | Grate, 12"x10"     |
| 3    | 103712   | Pad, Grate Support |

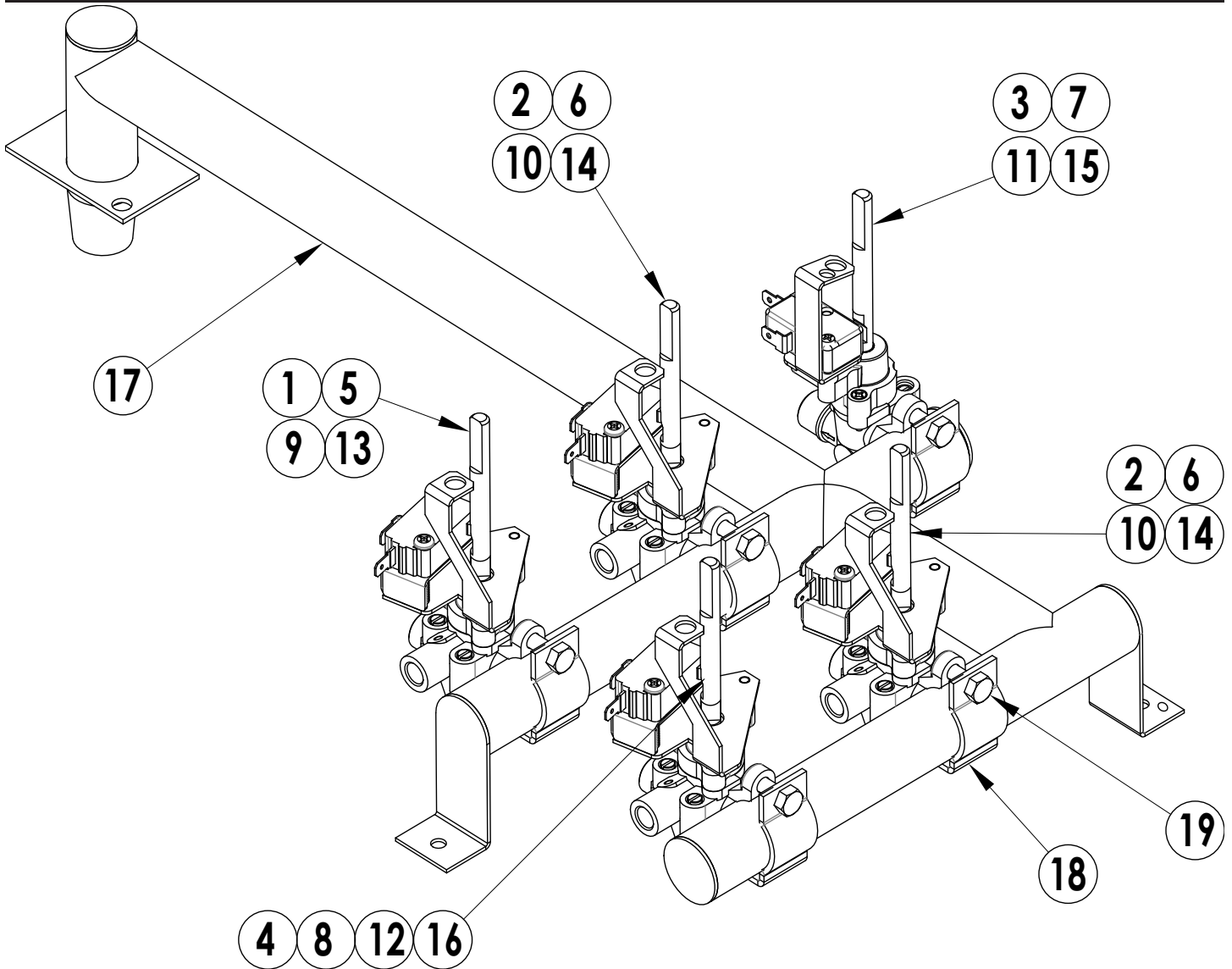
[Return to Page 1](#)

# HDCT365 Burner Caps, Reducer, Hold Down Kit



| Item | Part No. | Description                  |
|------|----------|------------------------------|
| 1    | 12269    | KIT, HOLD DOWN - BRACKETS    |
| 2    | 83458    | BUSHING, REDUCER - REGULATOR |
| 3    | 113908   | CAP, SIMMER, BURNER G8       |
| 4    | 113946   | CAP, BURNER DRALO SEMI-RAP   |
| 5    | 113951   | CAP, BURNER RAPIDE           |
| 6    | 113954   | CAP, HALO/DRALO UR BURNER    |

# HDCT365 Manifold Assembly



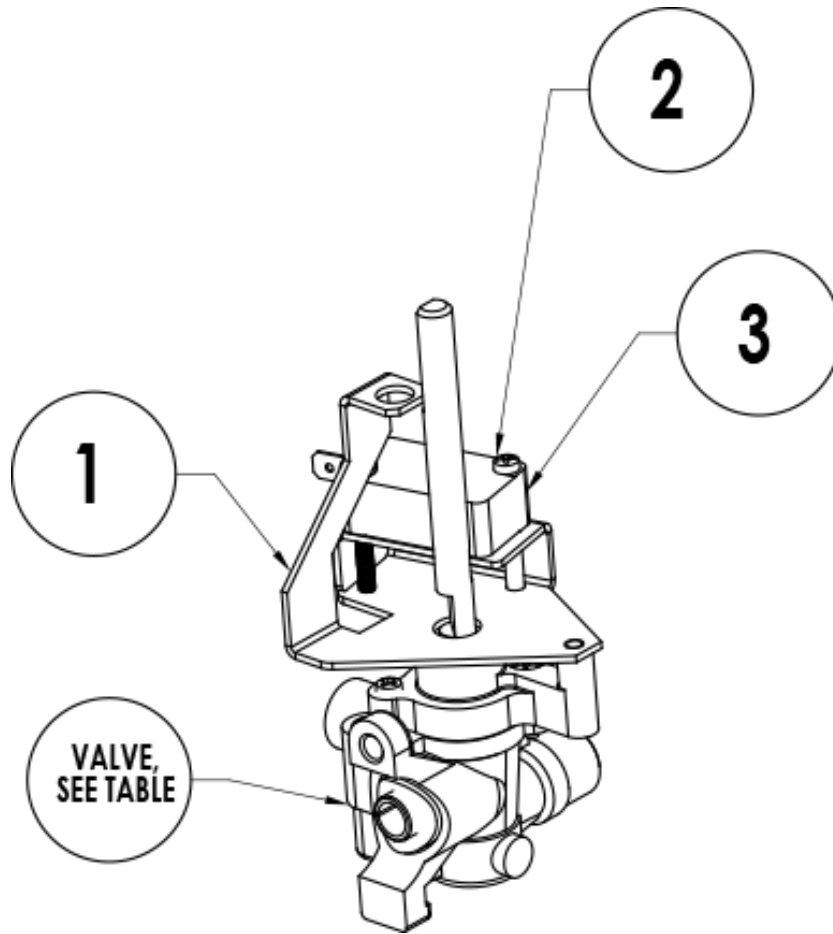
| Item | Part No.  | Description                          |
|------|-----------|--------------------------------------|
| 1    | 703707-01 | VALVE ASSY, 9.5K DUAL BURNER, NG     |
| 2    | 703707-02 | VALVE ASSY, 12.5K DUAL BURNER, NG    |
| 3    | 703596-01 | VALVE ASSY, SINGLE BURNER, NG        |
| 4    | 703707-03 | VALVE ASSY, 15K/18K DUAL BURNER , NG |
| 5    | 703707-04 | VALVE ASSY, 9.5K DUAL BURNER, LP     |
| 6    | 703707-05 | VALVE ASSY, 12.5K DUAL BURNER, LP    |
| 7    | 703596-02 | VALVE ASSY, SINGLE BURNER, LP        |
| 8    | 703707-06 | VALVE ASSY, 15K/18K DUAL BURNER, LP  |
| 9    | 703707-07 | VALVE ASSY, 9.5K DUAL BURNER, NGH    |
| 10   | 703707-08 | VALVE ASSY, 12.5K DUAL BURNER, NGH   |

| Item | Part No.  | Description                          |
|------|-----------|--------------------------------------|
| 11   | 703596-03 | VALVE ASSY, SINGLE BURNER, NGH       |
| 12   | 703707-09 | VALVE ASSY, 15K/18K DUAL BURNER, NGH |
| 13   | 703707-10 | VALVE ASSY, 9.5K DUAL BURNER, LPH    |
| 14   | 703707-11 | VALVE ASSY, 12.5K DUAL BURNER, LPH   |
| 15   | 703596-04 | VALVE ASSY, SINGLE BURNER, LPH       |
| 16   | 703707-12 | VALVE ASSY, 15K/18K DUAL BURNER, LPH |
| 17   | 701387    | WELDMENT, MANIFOLD                   |
| 18   | 105416    | CLAMP, VALVE                         |
| 19   | 105447    | SCREW, HEX HD, M5 X14, ZINC          |

Return to Page 1



# HDCT365 Valve Assembly



| Item | Part No. | Description        |
|------|----------|--------------------|
| 1    | 115085   | LED BRACKET        |
| 2    | 108220   | SWITCH SCREW       |
| 3    | 66986    | MICROSWITCH, 2 PIN |