



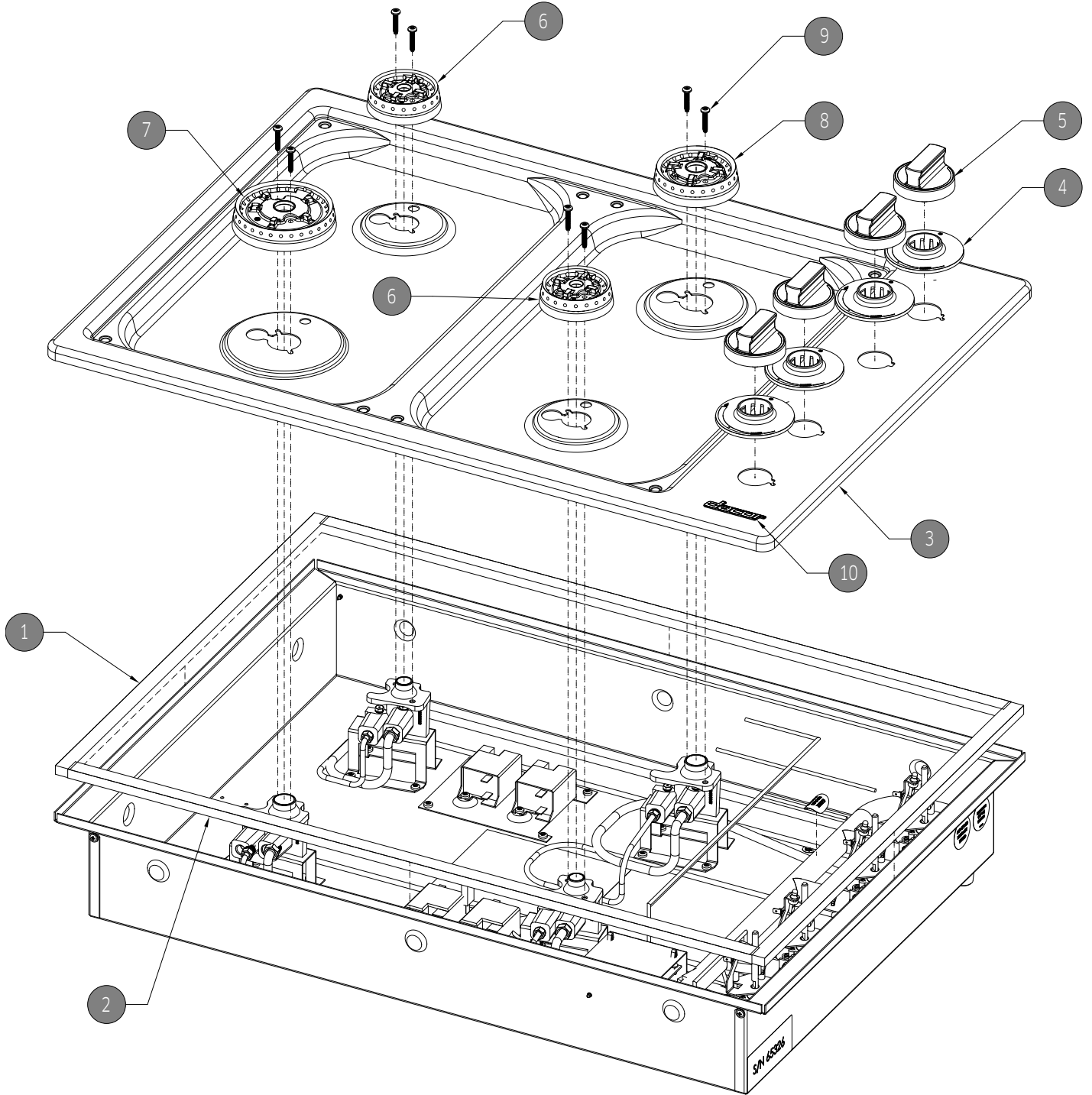
LET THE SHOW BEGIN

PARTS CATALOG

HDCT304 Heritage Dual Gas Cooktop

Assembly Drawings	
Page	Description
2	Cooktop Assembly
4	Chassis Assembly
8	Grate Assembly
9	Burner Caps, Reducer, Hold Down Kit
10	Manifold Assembly
12	Valve Assembly

HDCT304 Cooktop Assembly



[Return to Page 1](#)

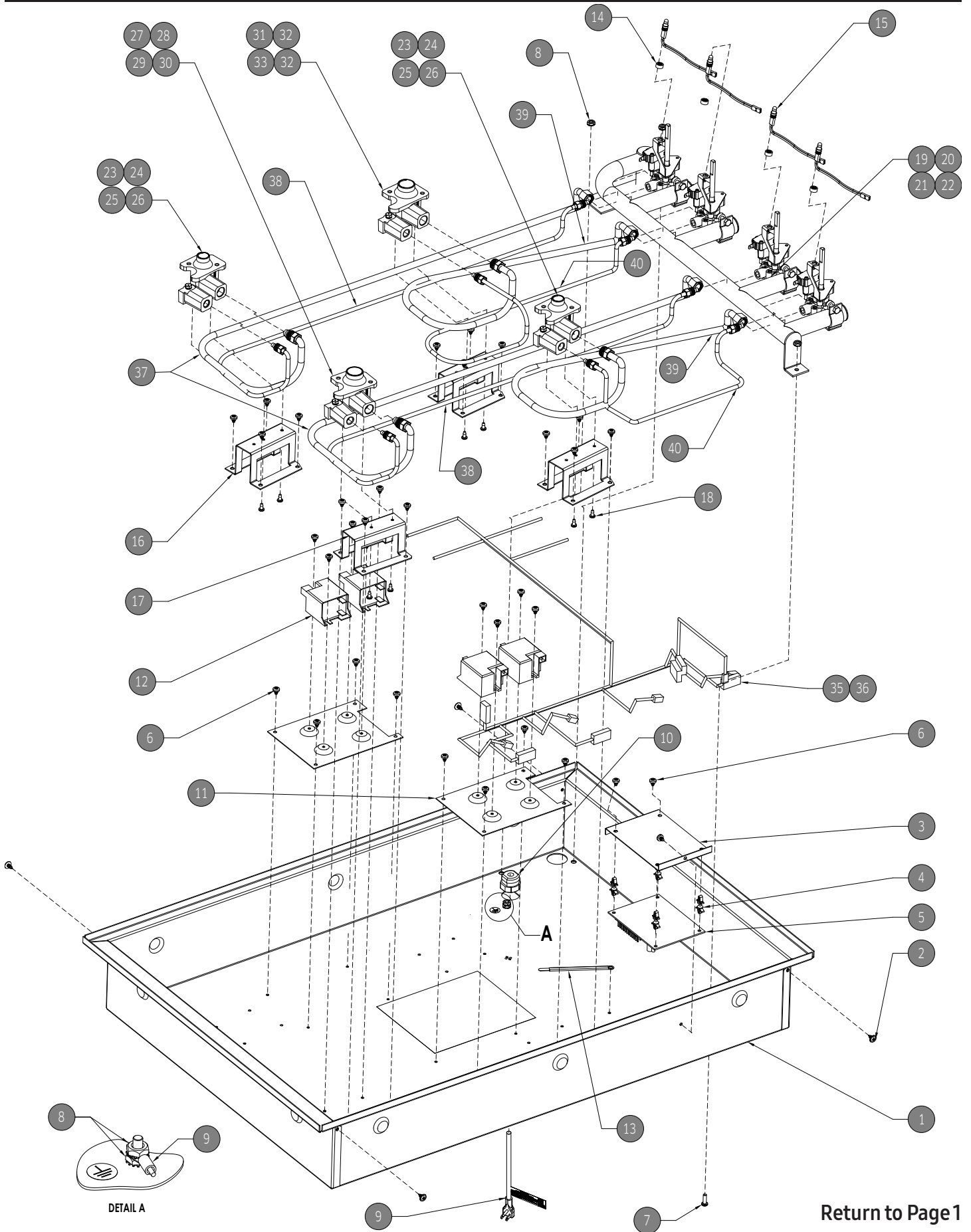
HDCT304 Cooktop-Assembly Parts List

Item	Part No.	Description
1	92310-001	GASKET, FOAM, TOP FRAME/CHASSIS
2	92310-002	GASKET, FOAM, TOP FRAME/CHASSIS
3	113888	TOP FRAME
4	108924-04	PROTECTOR, SPILL
5	109321	KNOB, ILLUMINATED
6	703602	BURNER ASSY, 9.5K DRALO SEMI-RAPIDE*
7	703604	BURNER ASS'Y, 15K/18K DRALO UR*
8	703603	BURNER ASSY, 12.5K DRALO RAPIDE*
9	115002	SCREW, SELF-TAPPING #8-32 X 7/8
10	110166	HERITAGE, LOGO 3"

*Igniter Included in Burner Assembly

[Return to Page 1](#)

HDCT304 Chassis Assembly

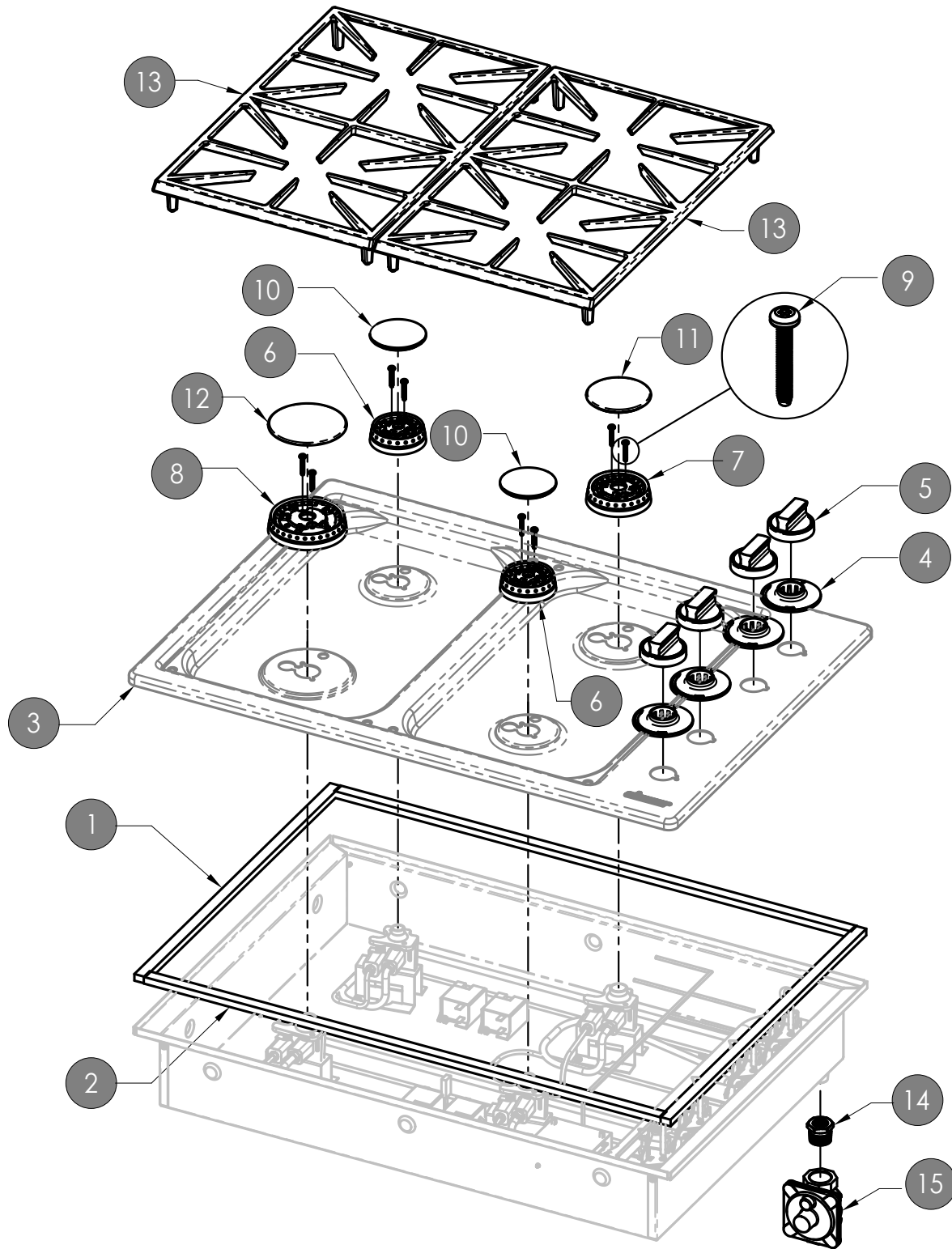


Return to Page 1

HDCT304 Chassis-Assembly Parts List

Item	NG Part No.	Description	Item	NG Part No.	Description
1	115047	CHASSIS	21	703601-03	ASSY, MANIFOLD, NGH
2	83263	SCREW, PHILL, ROUND WASHER, HD.	22	703601-04	ASSY, MANIFOLD, NGH
3	104165	BRACKET, LED ISOLATION	23	703605-01	HOLDER ASSY, HALO/DRALO SEMI-RAP ORIFICE, NG
4	83538	SUPPORT, NYLON PCB	24	703605-02	HOLDER ASSY, HALO/DRALO SEMI-RAP ORIFICE, LP
5	106104	BOARD, LED ISOLATOR	25	703605-03	HOLDER ASSY, HALO/DRALO SEMI-RAP ORIFICE, NGH
6	83001	SCREW, PHIL PAN HD, 8 x 1/4"	26	703605-04	HOLDER ASSY, HALO/DRALO SEMI-RAP ORIFICE, LPH
7	83572	SCREW, 8-32 X .50 LONG	27	703606-01	HOLDER ASSY, HALO/DRALO UR ORIFICE, NG
8	83048	NUT, HEX KEPS, #8-32	28	703606-02	HOLDER ASSY, HALO/DRALO UR ORIFICE, LP
9	72765	POWER SUPPLY CORD, FLAT PLUG	29	703606-03	HOLDER ASSY, HALO/DRALO UR ORIFICE, NGH
10	83141	BUSHING, STRAIN RELIEF	30	703606-04	HOLDER ASSY, HALO/DRALO UR ORIFICE, LPH
11	46297	IGNITER MOUNTING PLATE	31	703607-01	HOLDER, HALO/DRALO RAP ORIFICE, NG
12	72634	RE-IGNITION MODULE	32	703607-02	HOLDER, HALO/DRALO RAP ORIFICE, LP
13	110582	CABLE CLAMP	33	703607-03	HOLDER, HALO/DRALO RAP ORIFICE, NGH
14	103757	RETAINING RING, LED	34	703607-04	HOLDER, HALO/DRALO RAP ORIFICE, LPH
15	115038	ASSY, BRIGHTER LED/SOCKET	35	115025	WIRE HARNESS 110 VAC*
16	113940	BRACKET, 9.5K/12.5K/18K JET HOLDER BASE	36	103793	WIRE HARNESS 5 VDC
17	113941	BRACKET, 15K JET HOLDER BASE	37	113995	FLEX TUBE, 5/16" X 36", MF
18	101693	#6-32 X 5/16 PHIL, PAN, THREAD FRMNG TT, STL, ZINC	38	113994	FLEX TUBE, 3/16" X 33", MM
19	703601-01	ASSY, MAN--IFOLD, NG	39	100578	FLEX TUBING 5/16", MXM 21"
20	703601-02	ASSY, MANIFOLD, LP	40	100580	FLEX TUBING 3/16", MXM 18"

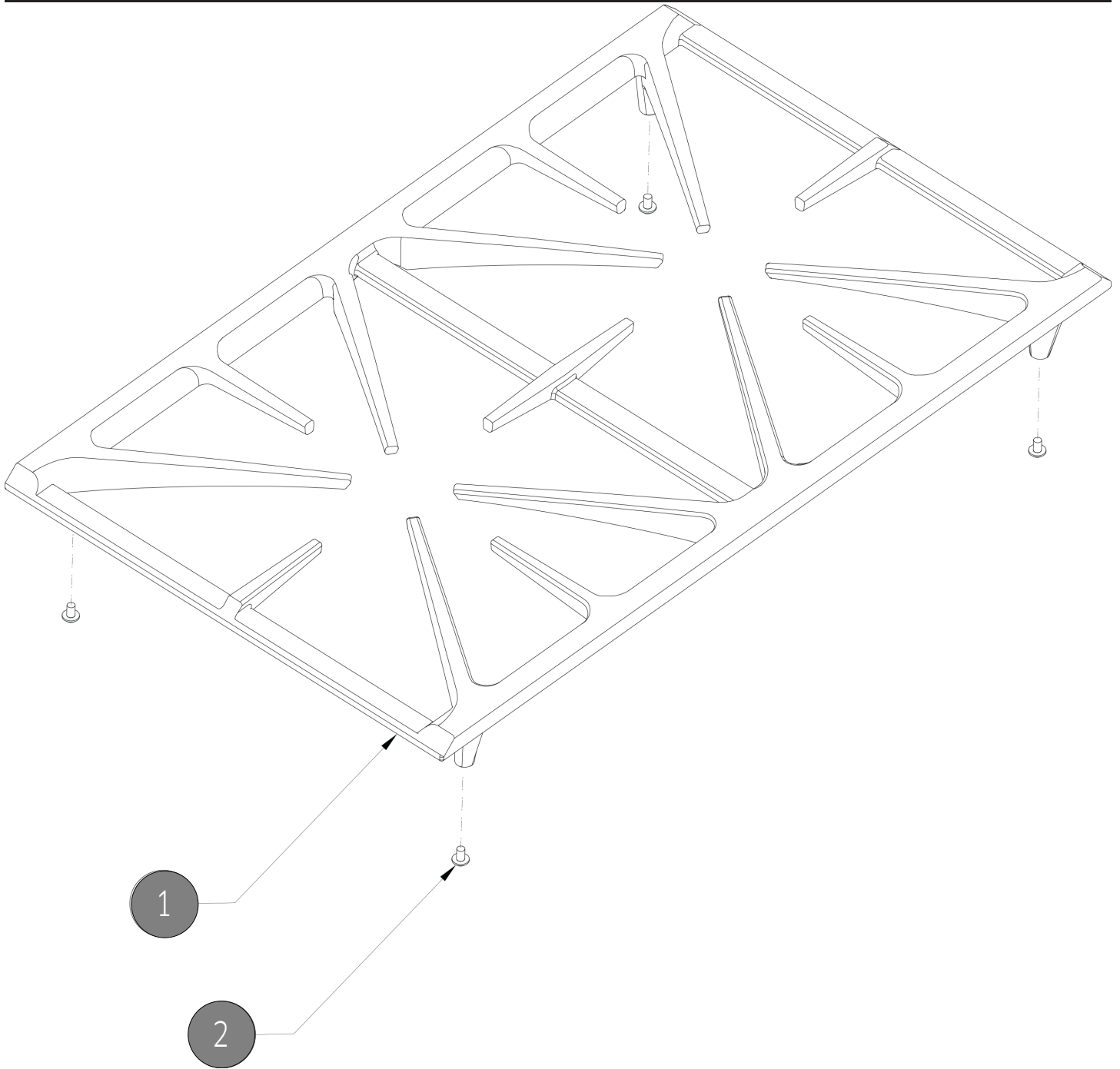
HDCT304 Chassis Assembly



HDCT304 Chassis Assembly

Item	NG Part No.	Description
1	92301-001	GASKET, FOAM, TOP FRAME/CHASSIS (SIDE)
2	92310-002	GASKET, FOAM, TOP FRAME/CHASSIS (FRONT/REAR)
3	703732	ASS'Y, TOP FRAME WITH LOGO
4	108924	PROTECTOR, SPILL
5	109321	KNOB, ILLUMINATED
6	703632	DRALO SEMI-RAP BRNER 9.5K
7	703603	DRALO RAPID BURNER, 12.5K
8	703604	DRALO UR BURNER, 15K/18K
9	115002	SCREW, SELF-TAP, #8-32 X 7/8
10	113946	HALO/DRALO SR CAP 9.5K
11	113951	HALO/DRALO RAP CAP 12.5K
12	113954	HALO/DRALO UR CAP 15K/18K
13	108900MB	GRATE, 12X20
14	83458	BUSHING, REDUCER
15	62834	5/10" W.C. REGULATOR, NG
	72980	REGULATOR, LP, 5/10" W.C.

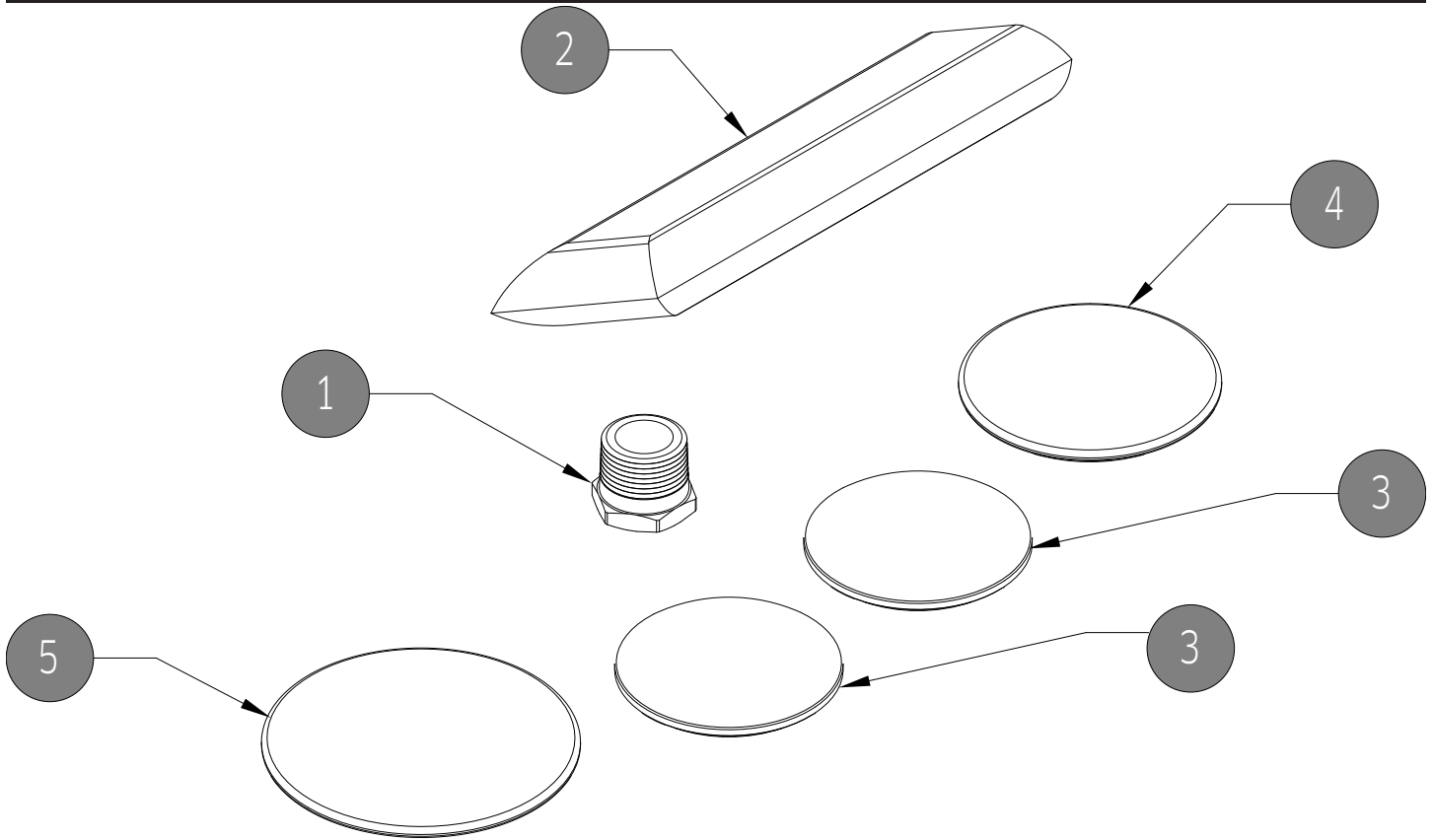
HDCT304 Grate Assembly



Item	Part No.	Description
1	108900	Grate, 12"x20"
2	103712	Pad, Grate Support

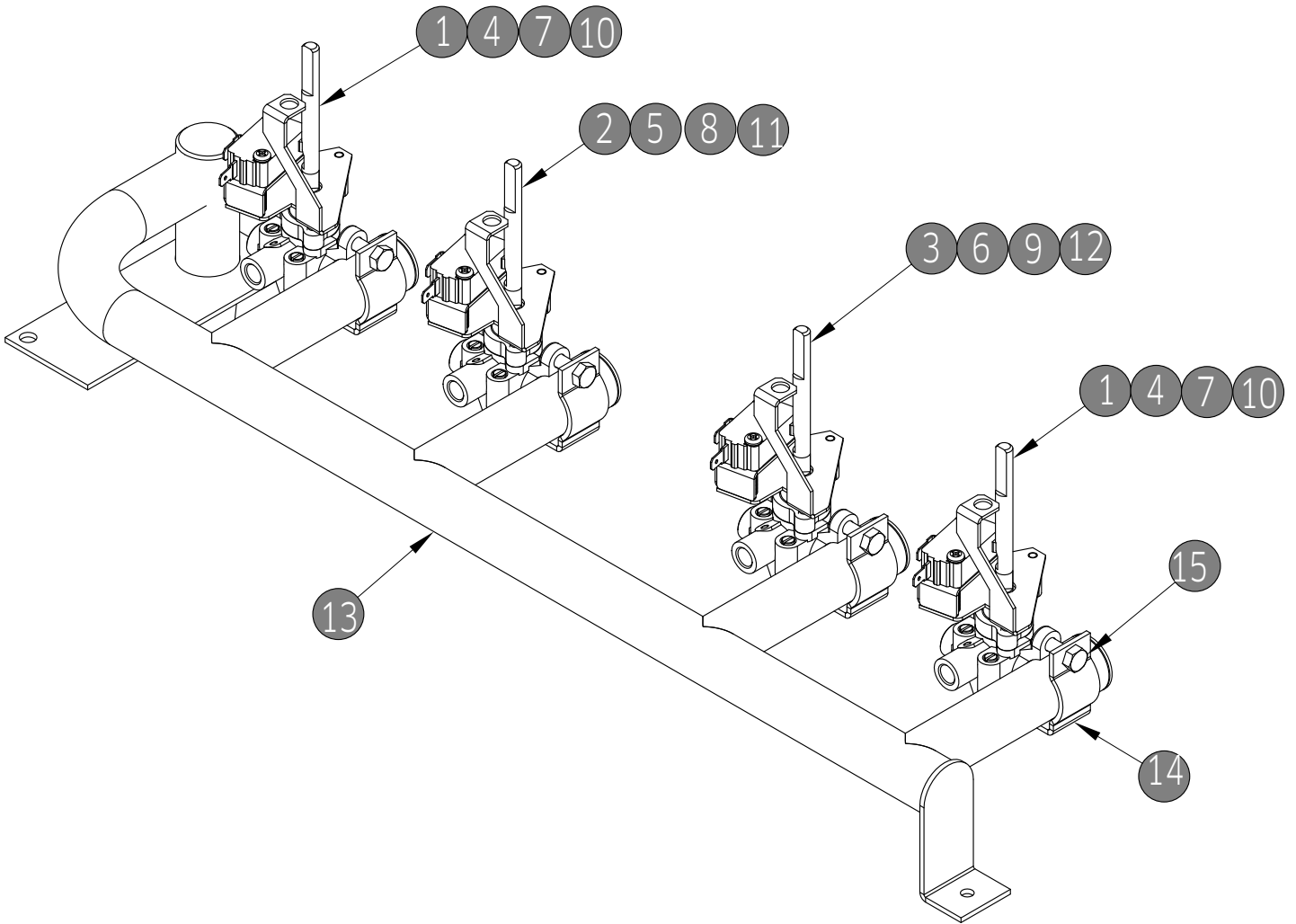
[Return to Page 1](#)

HDCT304 Burner Caps, Reducer, Hold Down Kit



Item	Part No.	Description
1	83458	BUSHING, REDUCER - REGULATOR
2	12269	KIT, HOLD DOWN - BRACKETS
3	113946	CAP, BURNER DRALO SEMI-RAP
4	113951	CAP, BURNER RAPIDE
5	113954	CAP, HALO/DRALO UR BURNER

HDCT304 Manifold Assembly

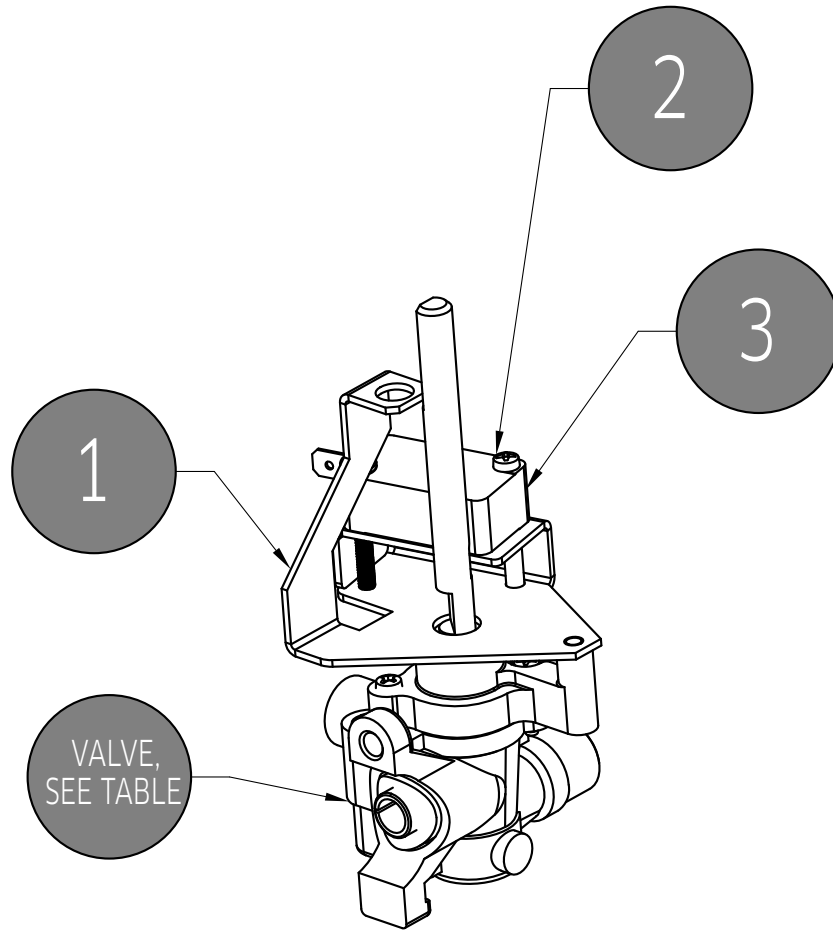


[Return to Page 1](#)

HDCT304 Manifold Assembly (Parts List)

Item	Part No.	Description
1	703707-01	VALVE ASSY, 9.5K DUAL BURNER, NG
2	703707-02	VALVE ASSY, 12.5K DUAL BURNER, NG
3	703707-03	VALVE ASSY, 15K/18K DUAL BURNER, NG
4	703707-04	VALVE ASSY, 9.5K DUAL BURNER, LP
5	703707-05	VALVE ASSY, 12.5K DUAL BURNER, LP
6	703707-06	VALVE ASSY, 15K/18K DUAL BURNER, LP
7	703707-07	VALVE ASSY, 9.5K DUAL BURNER NGH
8	703707-08	VALVE ASSY, 12.5K DUAL BURNER NGH
9	703707-09	VALVE ASSY, 15/18K DUAL BURNER LPH
10	703707-10	VALVE ASSY, 9.5K DUAL BURNER LPH
11	703707-11	VALVE ASSY, 12.5K DUAL BURNER LPH
12	703707-12	VALVE ASSY, 15/18K DUAL BURNER LPH
13	701389	WELDMENT, MANIFOLD
14	105416	CLAMP, VALVE
15	105447	SCREW, HEX HD, M5 X 14, ZINC

HDCT304 Valve Assembly



Item	Part No.	Description
1	115085	LED BRACKET
2	108220	SWITCH SCREW
3	66986	MICROSWITCH, 2 PIN