

dacor®

The Life of the Kitchen.®

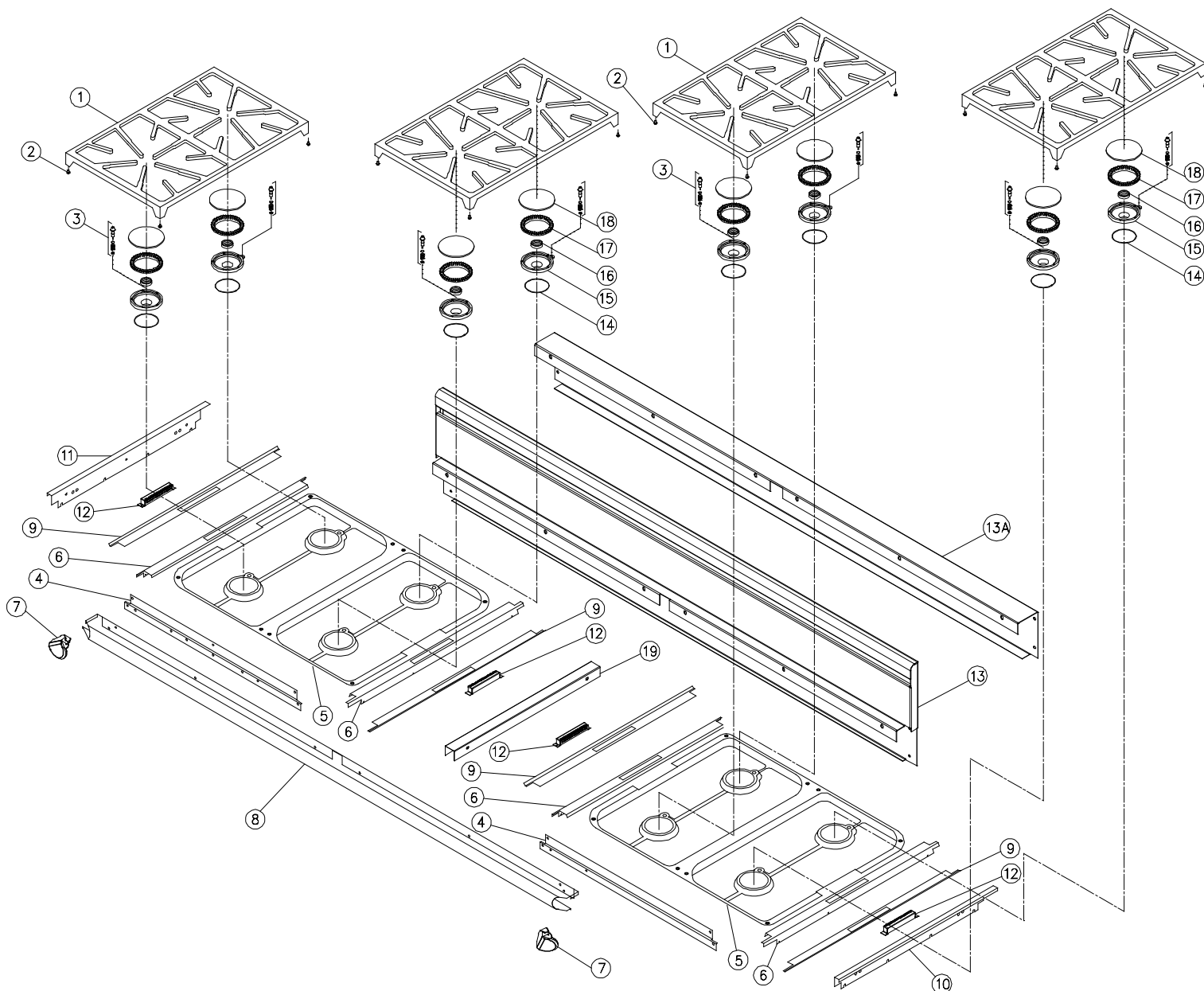
PARTS CATALOG

ERD60 Range

Page #	Description
2	Top Frame Assembly
3	Top Section Assembly
4	Manifold Assembly
5	Control Panel Assembly
6	Sub-Chassis Assembly
7	Cell Assembly
8	Cell Components
9	Door Assembly
10	Base Assembly

Revised 05-06-2013

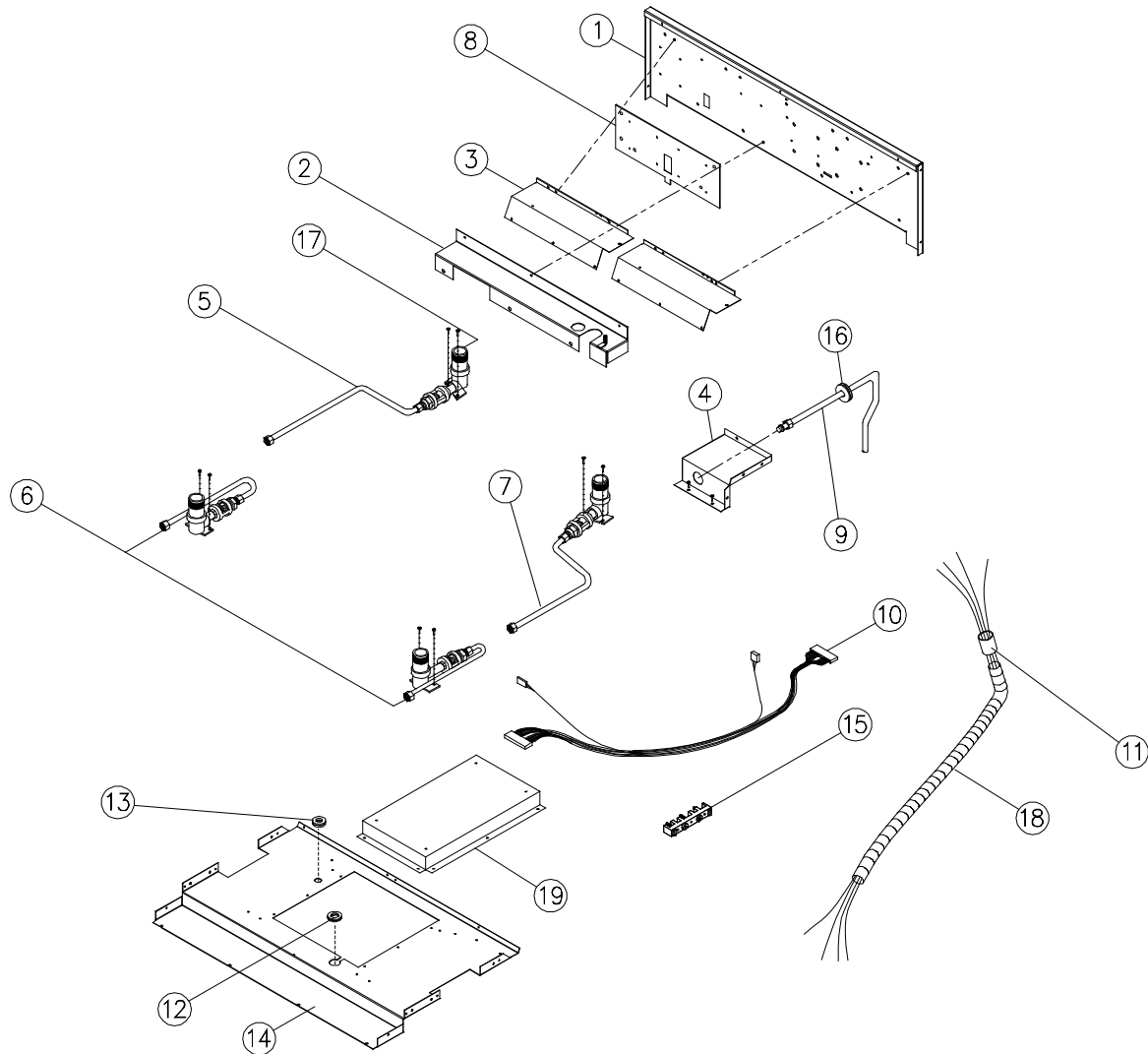
ERD60 Range Top Frame Assembly



Item	Part #	Description
1	72434SB	Grate Pack, 14"
2	66916	Set, Grate Support Pad
3	76482-001	Asy, Igniter Kit, Single
4	36529B	Spill Tray Support, Front
5	36244BP	Spill Tray
6	36245	Side Support, Right
7	62712BK/BR/CH/CP	End Cap
8	13619SBK/SBR/SCH/SCP	Asy, Bullnose w/ End Caps
9	36528BP	Spill Tray Support

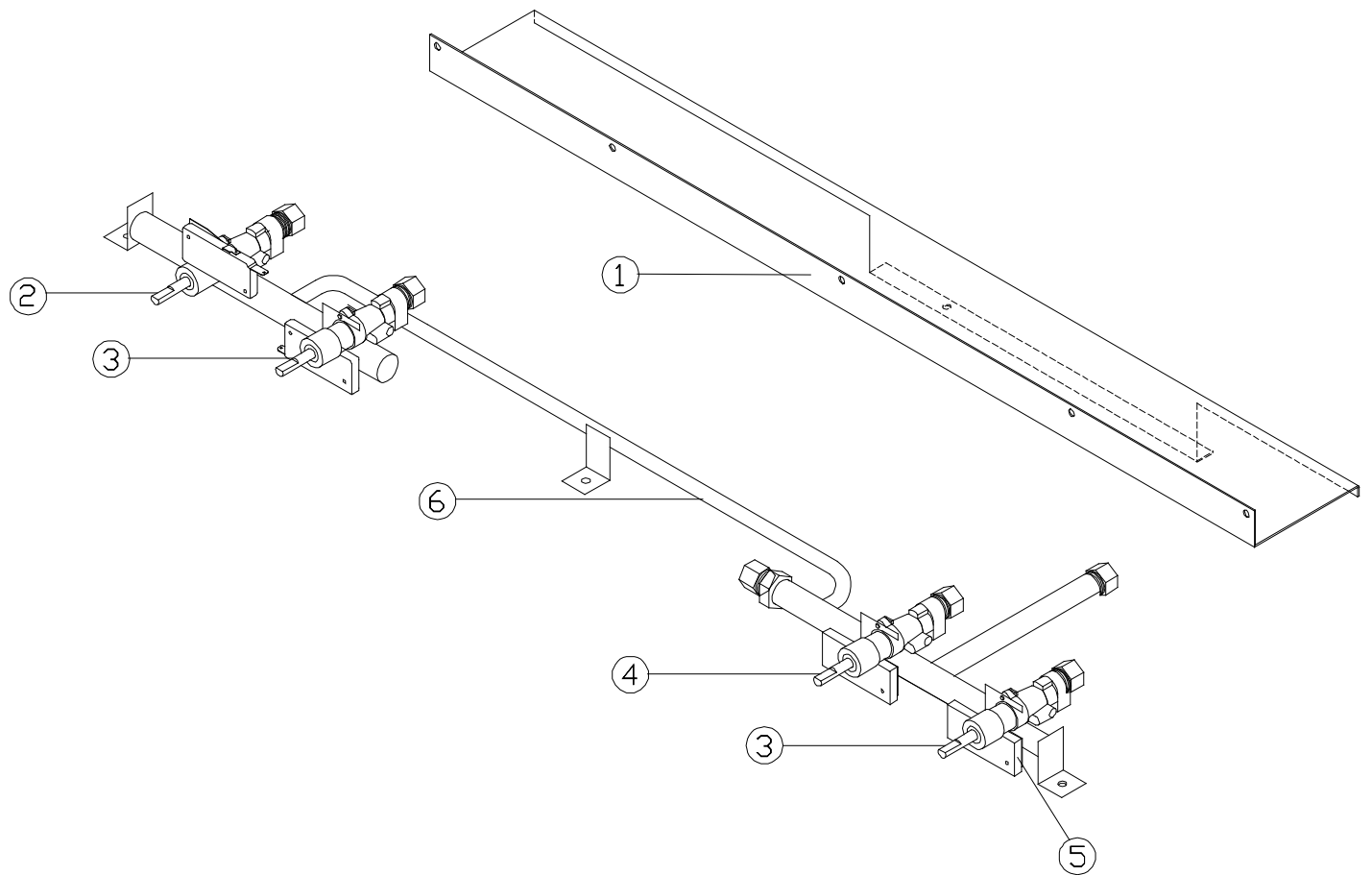
Item	Part #	Description
10	36958	Trim, Side Top, Right
11	36957	Trim, Side Top, Left
12	36479BP	Vent Cap
13	27825	Backsplash, 6"
13A	36963	Rear Island Trim
14	86395	O-Ring, "D" Burner
15	62954-001	"D" Burner Head
16	86405	Brass Nut
17	82564	"D" Burner Ring
18	72435SB	"D" Burner Cap
19	36961	Trim, Middle-Top

ERD60 Range Top Section



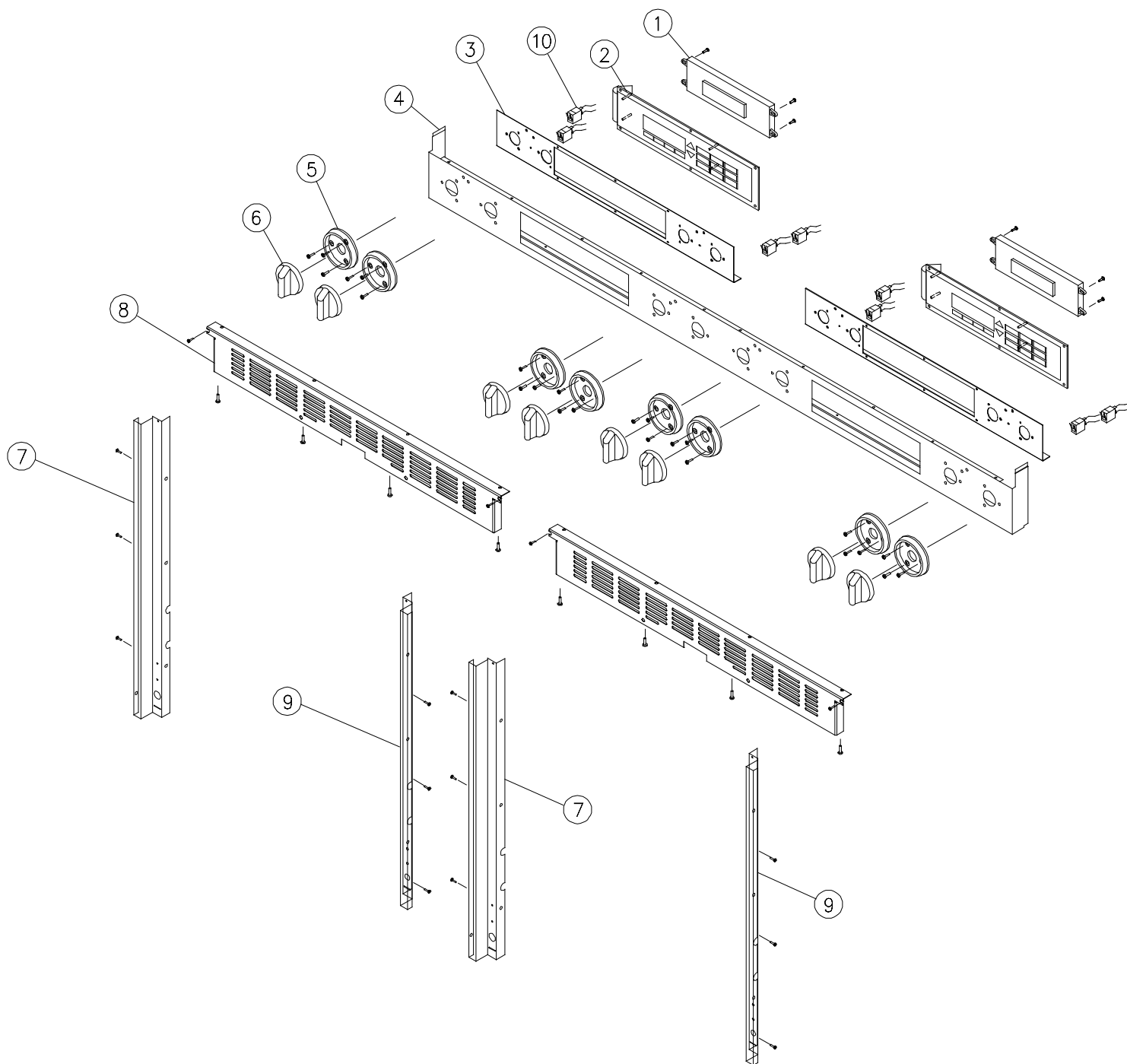
Item	NG Part #	LP Part #	NGH Part #	LPH Part #	Description
1	36496	36496	36496	36496	Rear Panel
2	27646	27646	27646	27646	Asy, Air Baffle
3	36415	36415	36415	36415	Back Cover, Chassis
4	36474	36474	36474	36474	Chassis Box
5	62644	62415	62673	62423	Burner Tube #1
6	62645	62416	62674	62424	Burner Tube #2 & 3
7	62646	62418	62675	62426	Burner Tube #4
8	36431	36431	36431	36431	Cooling Fan Bracket
9	62663	62663	62663	62663	Gas Inlet Tubing, 5/8"
10	72004	72004	72004	72004	Wire Harness
11	83059	83059	83059	83059	Connector, 1/2" Flex, Straight
12	83058	83058	83058	83058	Grommet Seal
13	83278	83278	83278	83278	Igniter Wires Seal
14	36516	36516	36516	36516	Chassis
15	82151	82151	82151	82151	Terminal Block
16	83058	83058	83058	83058	Grommet, EPDM Rubber
17	62325	62325	62325	62325	Burner Base
18	26420	26420	26420	26420	Conduit, 1/2" Flex, Cut 60
19	36515	36515	36515	36515	Chassis Plate Cover

ERD60 Range Manifold Assembly



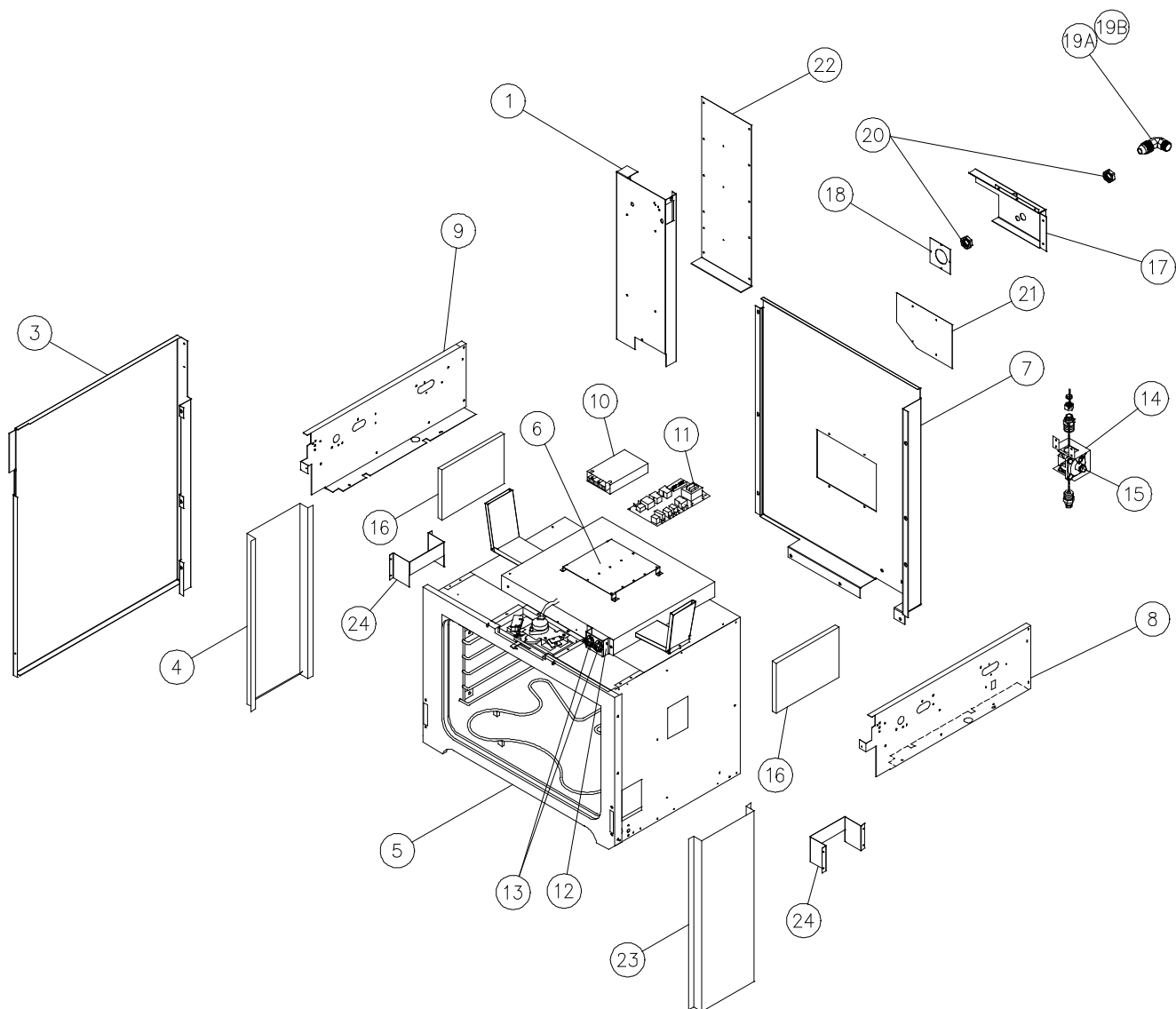
Item	NG Part #	LP Part #	NGH Part #	LPH Part #	Description
1	36147	36147	36147	36147	Heat Shield, Manifold
2	86961	86558	86965	86564	"D" Valve
3	86962	86560	86966	86566	"D" Valve
4	86963	86559	86967	86565	"D" Valve
5	86425	86425	86425	86425	Microswitch
6	62671	62497	62672	62495	Asy, Manifold w/ Valves, Complete

ERD60 Range Control Panel Assembly



Item	Part #	Description
1	62790	Oven Control
2	62309	Membrane, Panel
3	36266	Sub Panel
4	36969E	Control Panel, Etched
5	100122BC/BR/CH/CP	Trim Ring, Knob
6	62021B	Knob, Epicure
7	26798	Trim Post, Left
8	36257	Bezel Trim
9	26799	Trim Post, Right
10	82086	Indicator Light, Blue Neon

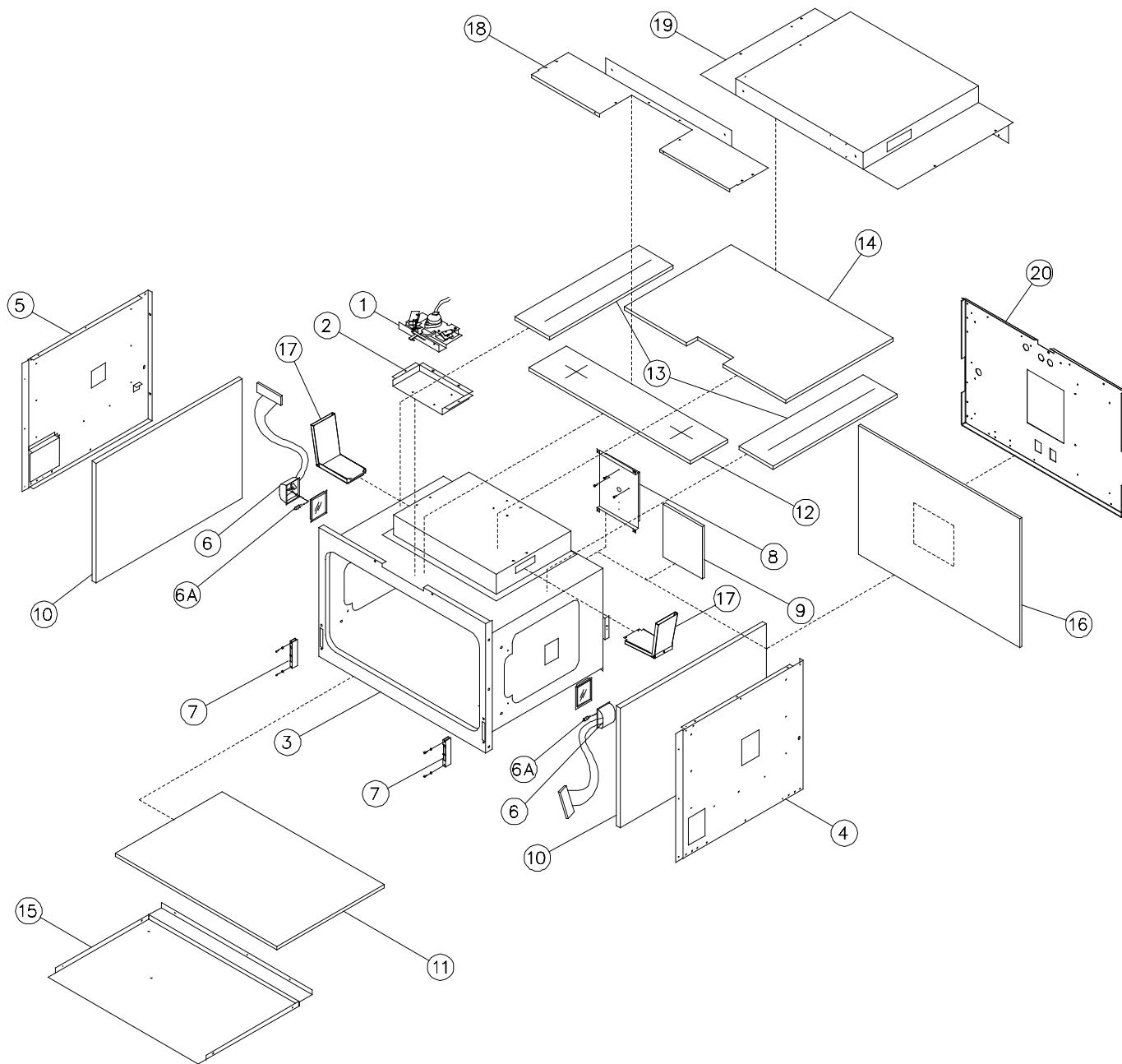
ERD60 Range Sub-Chassis Assembly



Item	Part #	Description
1	36517	Exhaust Duct
2	36253	Side Panel, Right
3	36252	Side Panel, Left
4	36255	Halogen Light Cover
5	N/A	Asy, Oven Cell
6	36514	PCB & Module Mounting Plate
7	36425	Back Cover
8	27687	Asy, Side Support, Right
9	36504	Asy, Side Support, Left
10	86526	Spark Module
11	92028	Relay PCB
12	36275	Spacer, Hi-Limits

13	82987	Hi-Temp, Thermal Switch
14	36263	Regulator Bracket
15	13391	Asy, Regulator
16	80096	Insulation, Vent Riser
17	36518	Primary Air Box
18	36553	Orifice Alignment Plate
19A	72005	Asy, IR Orifice NG
19B	72002	Asy, IR Orifice LP
20	83440	Locknut, 3/8"
21	36912	Back Cover Plate
22	36408	Rear Air Duct Cover
23	36944	Middle Light Cover
24	36259	Vent Riser Shield
-	82347	Cooling Fan (not shown)

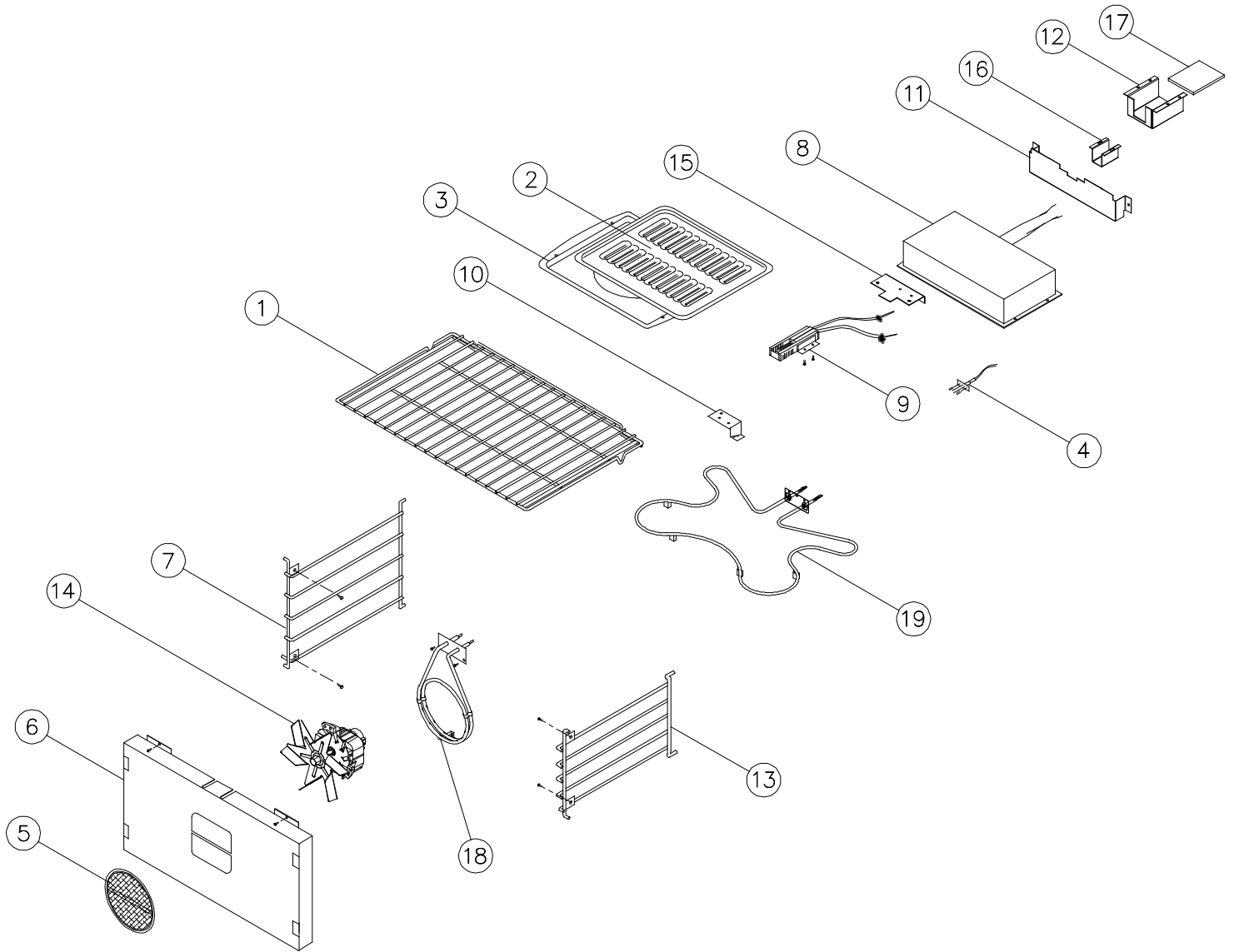
ERD60 Range Cell Assembly



Item	Part #	Description
1	82834	Door Latch Mechanism
2	26598	Latch Plate
3	N/A	Asy, Oven Cell
4	27574	Asy, Case Side, Right
5	27575	Asy, Case Side, Left
6	62175	Asy, Halogen Light 10 Watt
6A	86573	Halogen Bulb, 10 Watt
7	82851	Hinge Receptacle
8	36280	Mtg. Plate, Convection Motor
9	80168	Insulation, Convection Motor

10	80161	Insulation Cell Side
11	80164	Insulation Cell Bottom
12	80169	Insulation Cell Top-1
13	80180	Insulation Cell Top Side
14	80094	Insulation Cell Top
15	26633	Case Bottom
16	80166	Insulation Cell Back
17	27581	Asy, Duct Vent Horizontal
18	36241	Case Top Front
19	36242	Case Top Rear
20	36243	Case Back

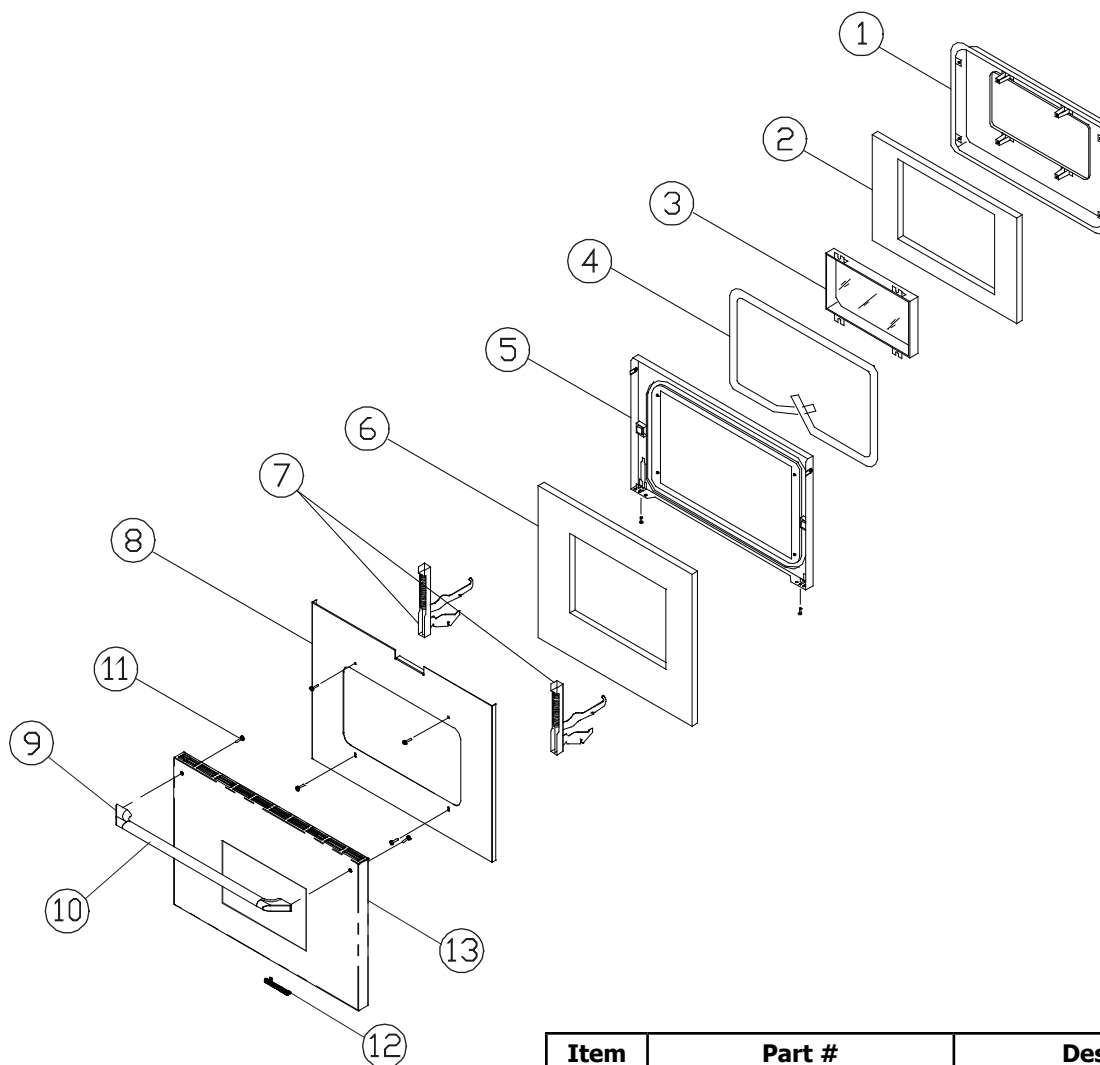
ERD60 Range Cell Components



Item	Part #	Description
1	62139	Oven Rack, 30"
2	82106	Porcelain Grill
3	82107	Porcelain Pan
4	62593	Temperature Sensor
5	82891	Convection Filter
6	36816BP	Covection Baffle, BP
7	62747	Rack Support, Left
8	12422	Infrared Burner
9	82473	Hot Surface Igniter

Item	Part #	Description
10	36286	Igniter Mounting Bracket
11	36352BP	Convection Baffle Top, BP
12	36320BP	Venturi Shield
13	62748	Rack Support, Right
14	62101	Convection Fan
15	36737BP	Igniter Mounting Shield
16	36391BP	Igniter Wires Shield
17	80095	Insulation Venturi
18	82377	Convection Element, 240 Volt
19	62628	Bake Element

ERD60 Range Door Assembly



Item	Part #	Description
1	27728BP	Asy, Inner Liner
2	80207	Insulation, Door
3	72148*	Asy, Window Pack*
4	72020	Gasket, Door
5	86746	Kit, Door Liner 30"
6	80213	Insulation, Outer Liner
7	701035**	Door Hinges Kit**
8	36956B	Heat Shield, Door 30"
9	92031CH	End Cap, Handle, Inboard
9	92032CH	End Cap, Handle, Outboard
10	13764SBK/BR/CH/CP***	Door Handle Kit***
11	83618	Door Bumper
12	72511BR/CH/CP	Dacor Logo, Large
13	See Table	Asy, Door, Right/Left

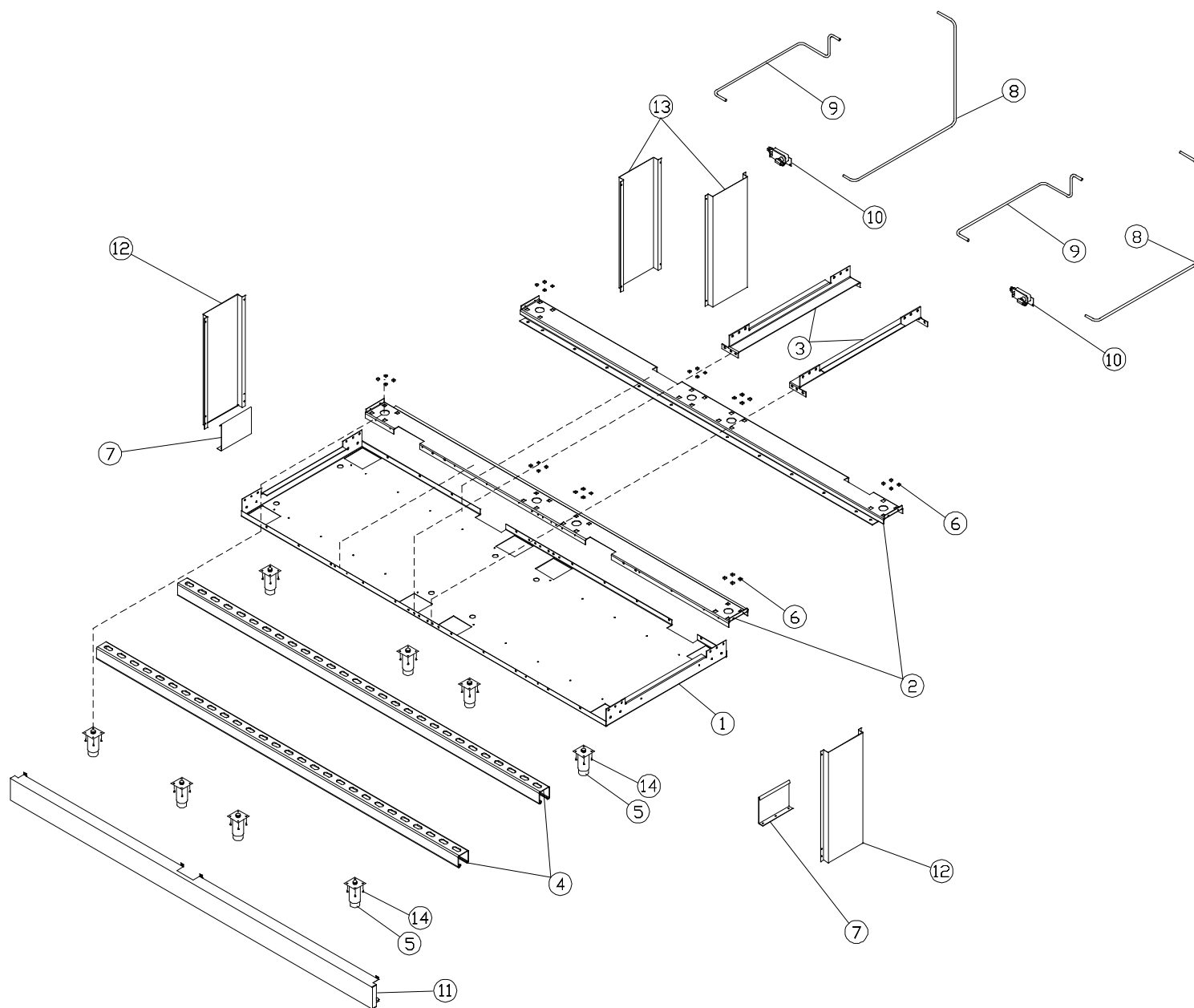
*Order P/N 12470 for models built Before S/N FG13220823.

**Kit # 701035 includes set of 2 hinges

***Kit includes handle, 2 screws and set of end caps. Last two letters of part number specify end cap color.

Assembled Door Table	
Part #	Description
12653SBK-LH	Asy, Door, LH, Black
12653SBR-LH	Asy, Door, LH, Brass
12653SCH-LH	Asy, Door, LH, Chrome
12653SCP-LH	Asy, Door, LH, Chopper
12653SBK-RH/L	Asy, Door, RH, Black w/ Logo
12653SBR-RH/L	Asy, Door, RH, Brass w/ Logo
12653SCH-RH/L	Asy, Door, RH, Chrome w/ Logo
12653SCP-RH/L	Asy, Door, RH, Copper w/ Logo

ERD60 Range Base Assembly



Item	Part #	Description
1	36967	Base
2	36966	Leg Support, Base
3	36970	Mid-Support, Base
4	72657	U-Shape Support, Base
5	700000	Leg, 1/2" Epicure
6	83398	Nut, Retainer, #1/4-20
7	36268	Bracket, Pallet
8	62666	3/8 Tube Outlet

Item	Part #	Description
9	62665	3/8 Tube Inlet
10	62317	Valve, Thermal, Single
11	36964	Kick Panel
12	36255	Cover, Halogen Light
13	36944	Middle Light Cover
14	83397	Screw, Cap, #1/4-20 x 5/8"
-	13630	Accy, Trim Skirt (not shown)
-	66813	Plastic Leg Insert (not shown)