



The Life of the Kitchen.®

A faded background image of a kitchen featuring a white Dacor ERD30S06 range. The range has a stainless steel cooktop with six burners and a white oven door. The words "PARTS CATALOG" are overlaid in large, semi-transparent, 3D block letters across the center of the range.

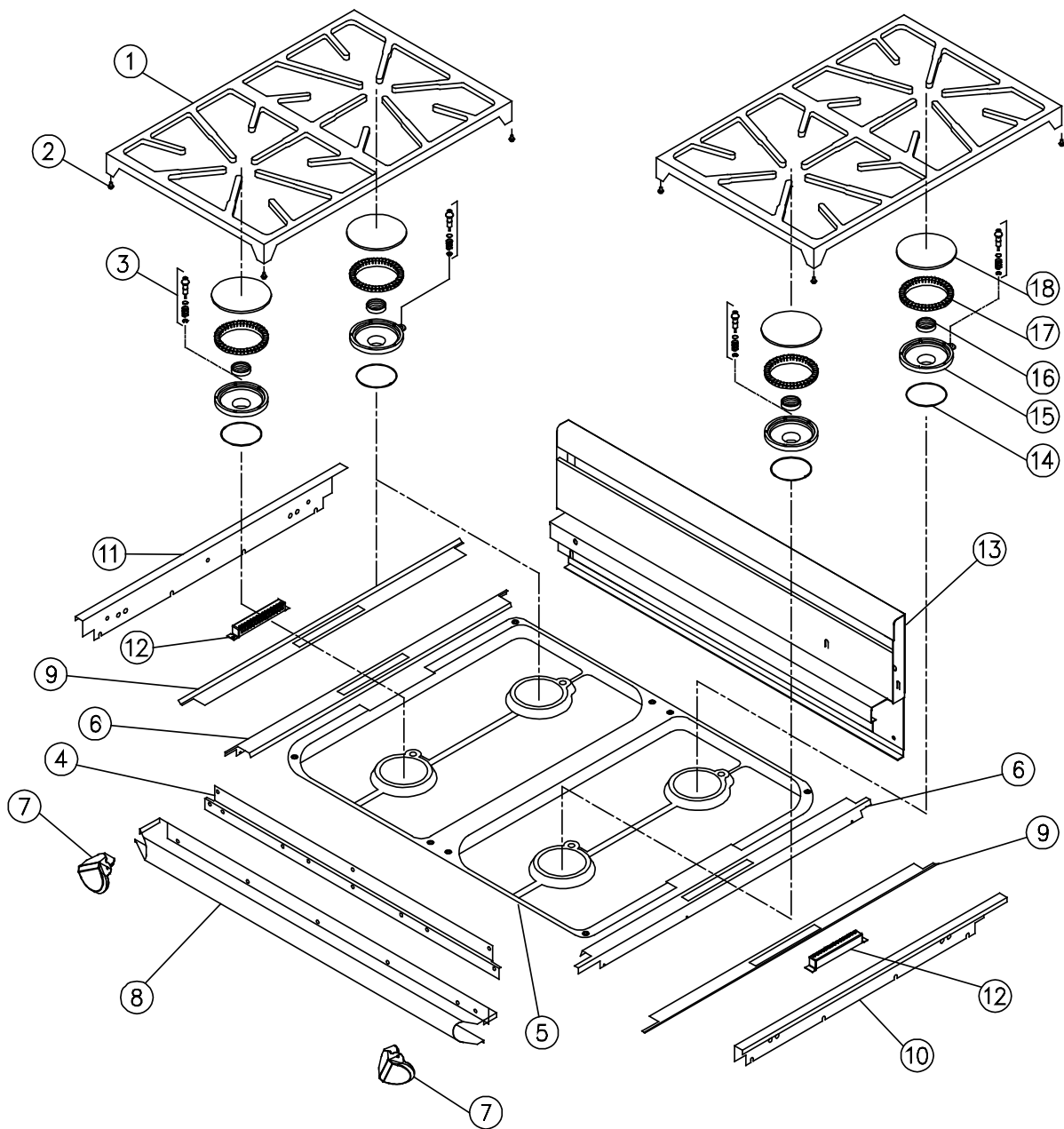
PARTS CATALOG

ERD30S06 Range

Page	Description
2	Top Frame Assembly
3	Tubing Assembly
4	Tubing Parts
5	Manifold Assembly
6	Control Panel Assembly
7	Sub-Chassis Assembly
8	Cell Assembly
9	Door Assembly
10	Base Assembly

Revised 04-08-2014

ERD30 Top Frame Assembly

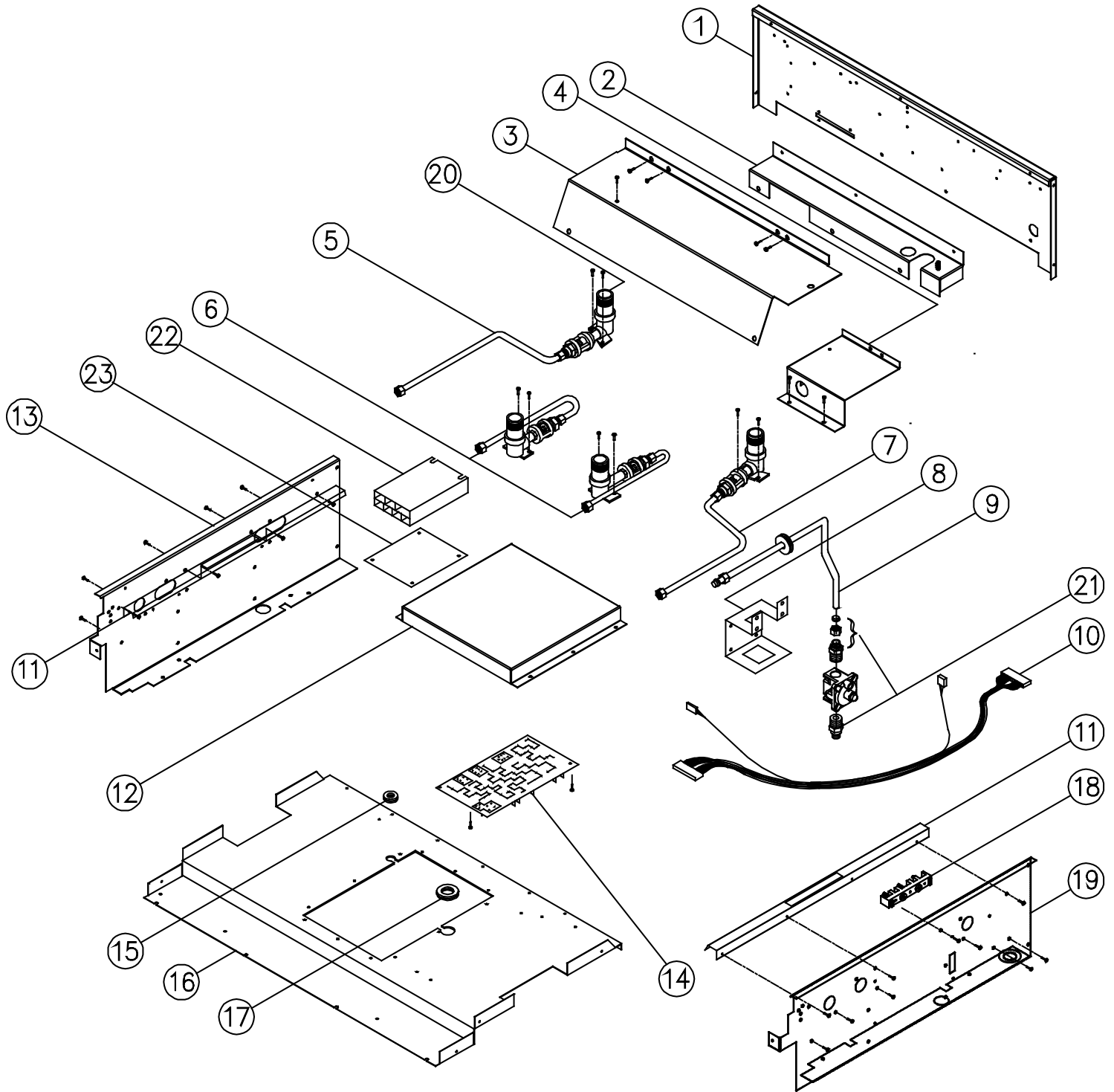


Item	Part #	Description
1	72434SB ¹	Grate Pack, 14" ¹
2	66916	Grate Support Pad
3	76482-001	Assy, Igniter Kit, Single
4	36529B	Support, Spill Tray, Front
5	36244BP	Spill Tray
6	36245	Angle, Side Support, RH
7	62712BK/BR/CH/CP	End Cap, Bull Nose
8	36530	Bull Nose
9	36528BP	Angle, Spill Tray Support
10	26791	Trim, Side Top, RH

Item	Part #	Description
11	26831	Trim, Side Top, LH
12	36479BP	Vent Cap, Blk
13	13468	Asy, Backsplash, 6"
	36426	Trim Piece, Island (not shown)
14	86395	O-Ring, 'D' Burner
15	62954	Assy, 'D' Burner Head
16	86405	Brass Nut
17	82564	Burner Ring, 'D' Burner
18	72435SB	'D' Burner Cap

¹Can only be ordered as PN 72434SB, which includes 1 grate and 2 D size burner caps (PN72435SB)

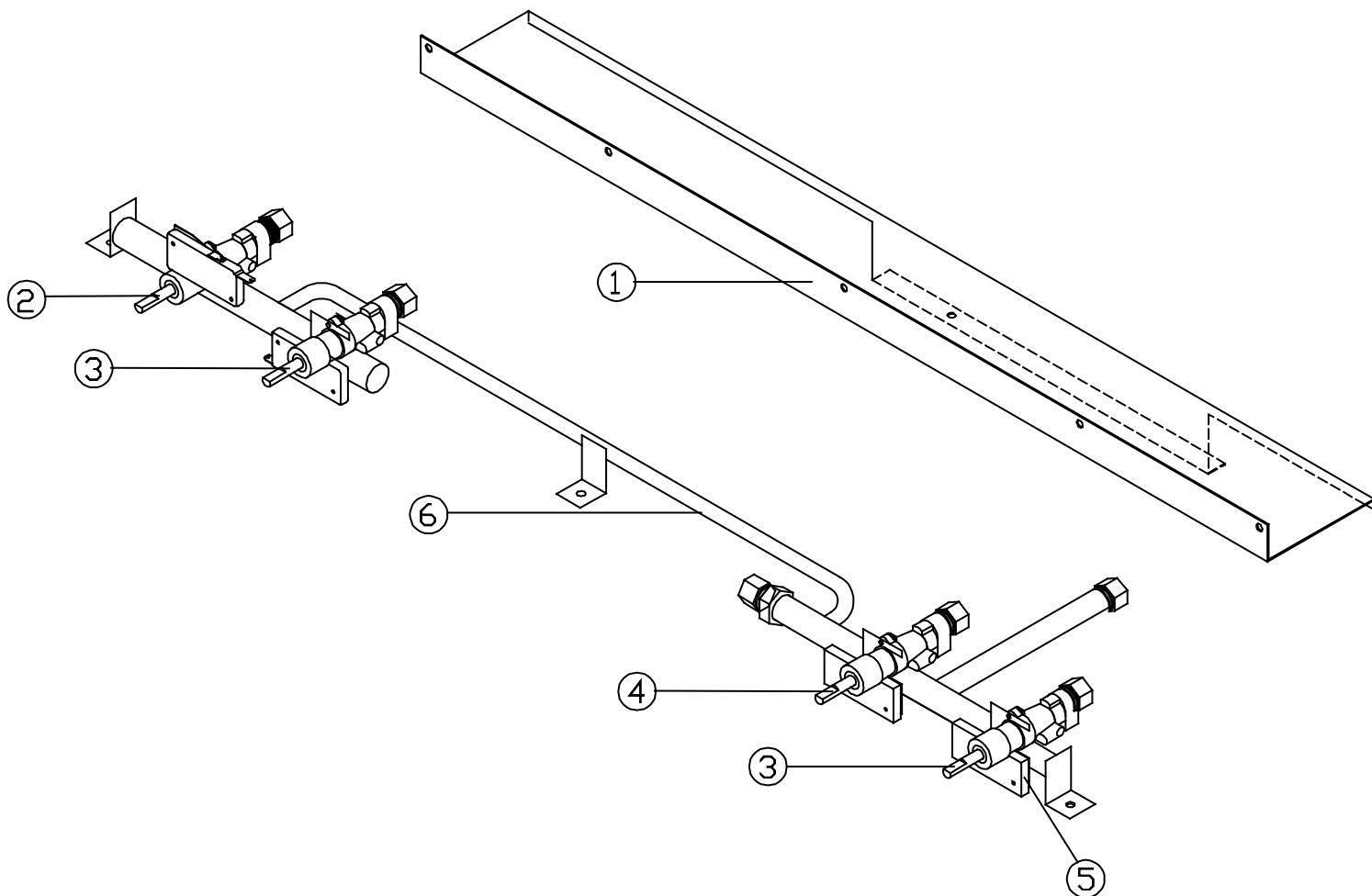
ERD30 Tubing Assembly



ERD30 Tubing Assembly Parts

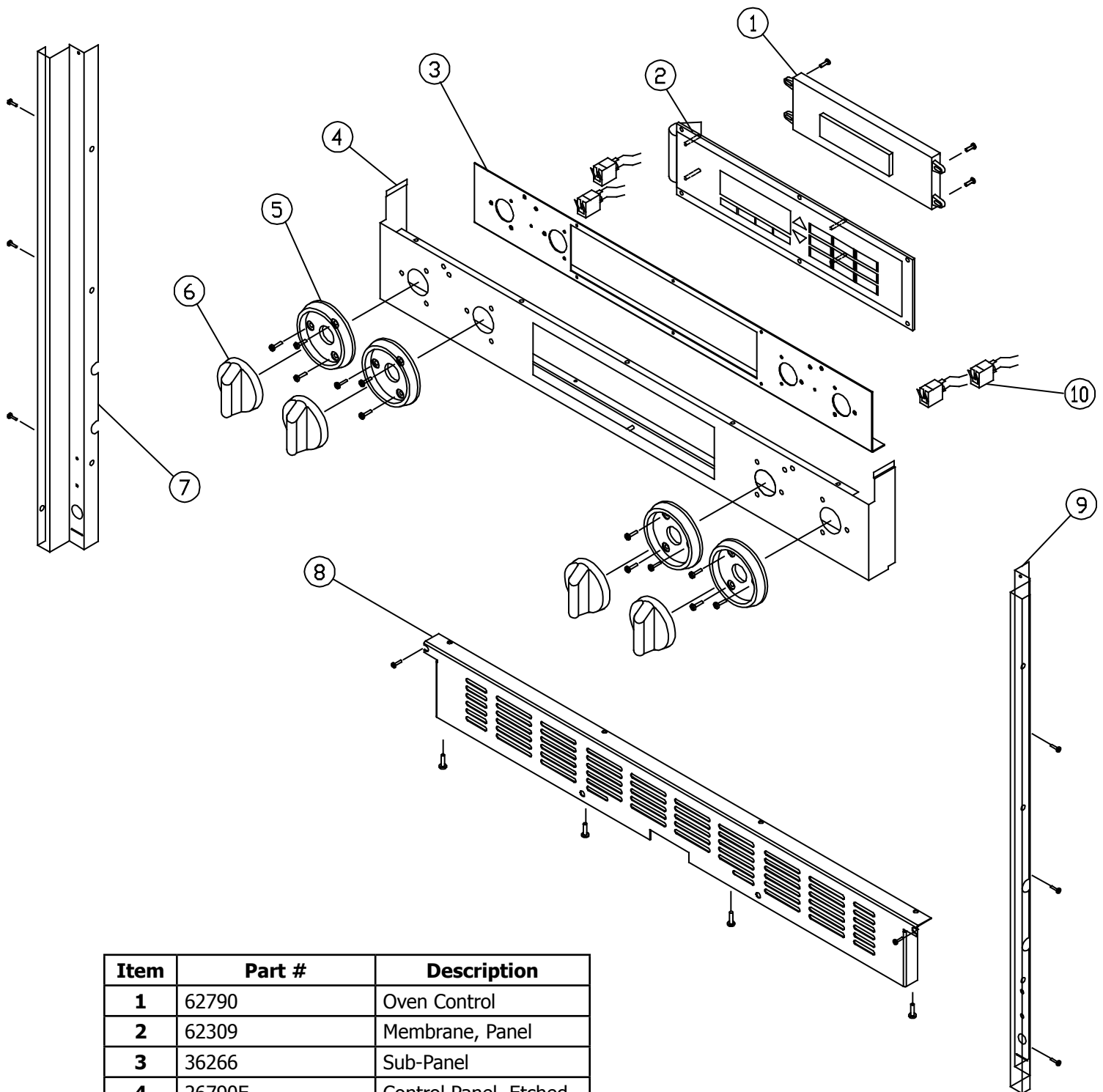
Item	NG Part #	LP Part #	NGH Part #	LPH Part #	Description
1	36496	36496	36496	36496	Rear Panel
2	27646	27646	27646	27646	Asy, Air Baffle
3	36415	36415	36415	36415	Back Cover, Chassis
4	36474	36474	36474	36474	Chassis Box
5	62644	62415	62673	62423	Burner Tube #1
6	62645	62416	62674	62424	Burner Tube #2
7	62646	62418	62675	62426	Burner Tube #4
8	36263	36263	36263	36263	Bracket, Regulator
9	62663	62663	62663	62663	5/8" Inlet Tubing
10	72004	72004	72004	72004	Wire Hanress
11	36245	36245	36245	36245	Angle-Side Support, Right
12	36515	36515	36515	36515	PCB & Module Cover
13	36504	36504	36504	36504	Side Support, Left
14	92028	92028	92028	92028	Relay PCB
15	83278	83278	83278	83278	Grommet, Thermovalve
16	36516	36516	36516	36516	Chassis
17	83058	83058	83058	83058	Grommet, EPDM Rubber
18	82151	82151	82151	82151	Terminal Block
19	27687	27687	27687	27687	Asy, Side Support, Right
20	62325	62325	62325	62325	Base, Burner w/ Tube
21	13391	13391	13391	13391	Asy, Regulator
22	86526	86526	86526	86526	Spark Module, 4 Point
23	36514	36514	36514	36514	PCB & Module MTG Plate
-	62808	62808	62808	62808	Transformer Halogen Light (not shown)

ERD30 Manifold Assembly



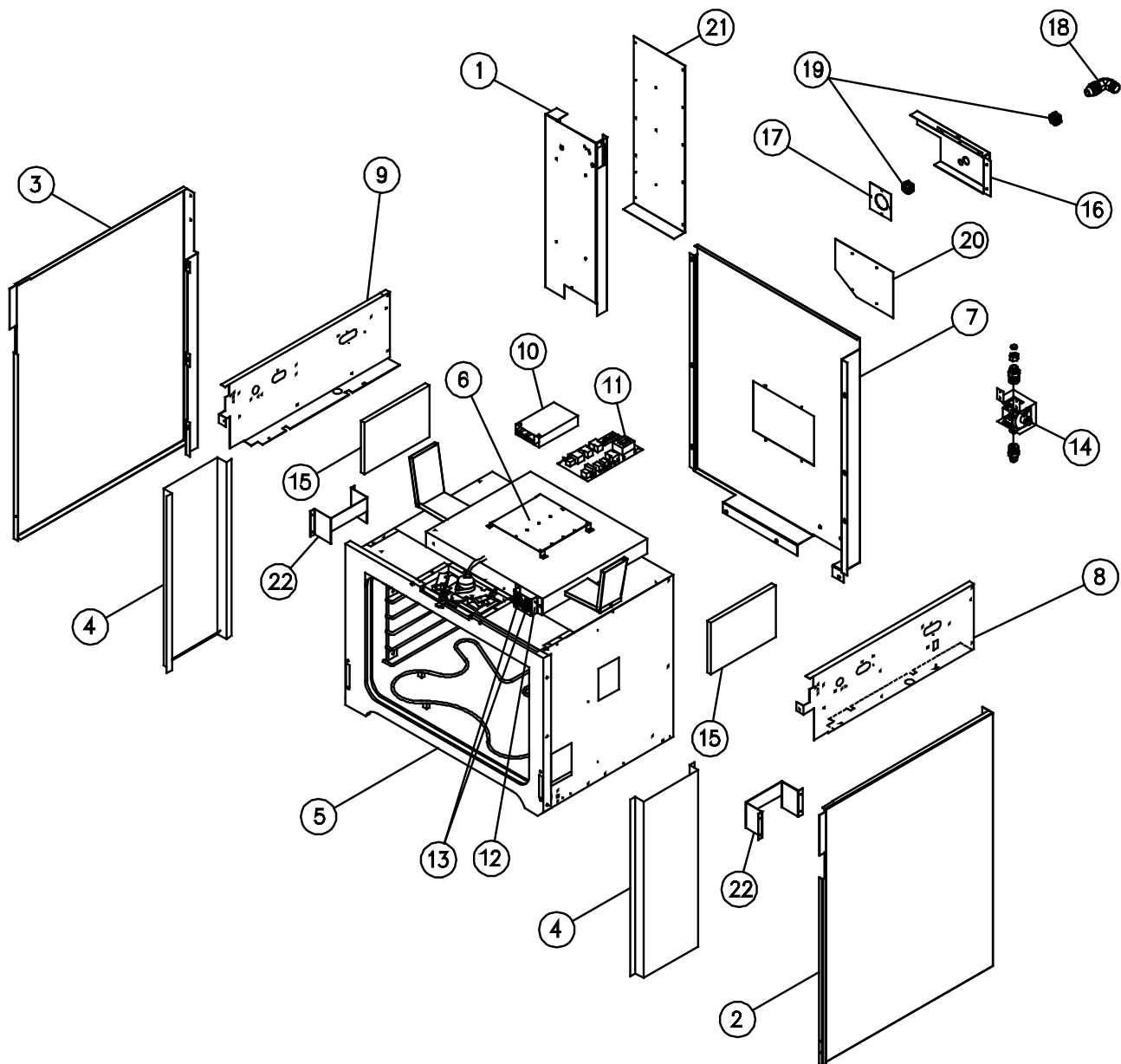
Item	NG Part #	LP Part #	NGH Part #	LPH Part #	Description
1	36147	36147	36147	36147	Heat Shield, Manifold
2	86961	86558	86965	86564	Valve #1
3	86962	86560	86966	86566	Valve #2
4	86963	86559	86967	86565	Valve #3
5	86425	86425	86425	86425	Spacer, Microswitch
6	62671	62497	62672	62495	Assy, Manifold w/Valves

ERD30 Control Panel Assembly



Item	Part #	Description
1	62790	Oven Control
2	62309	Membrane, Panel
3	36266	Sub-Panel
4	26790E	Control Panel, Etched
5	100122BK/BR/CH/CP	Trim Ring, Knob
6	62021B	Knob, Epicure
7	26798	Trim Post, Left
8	36257	Bezel Trim
9	26799	Trim Post, Right
10	82086	Indicator Light, Blue

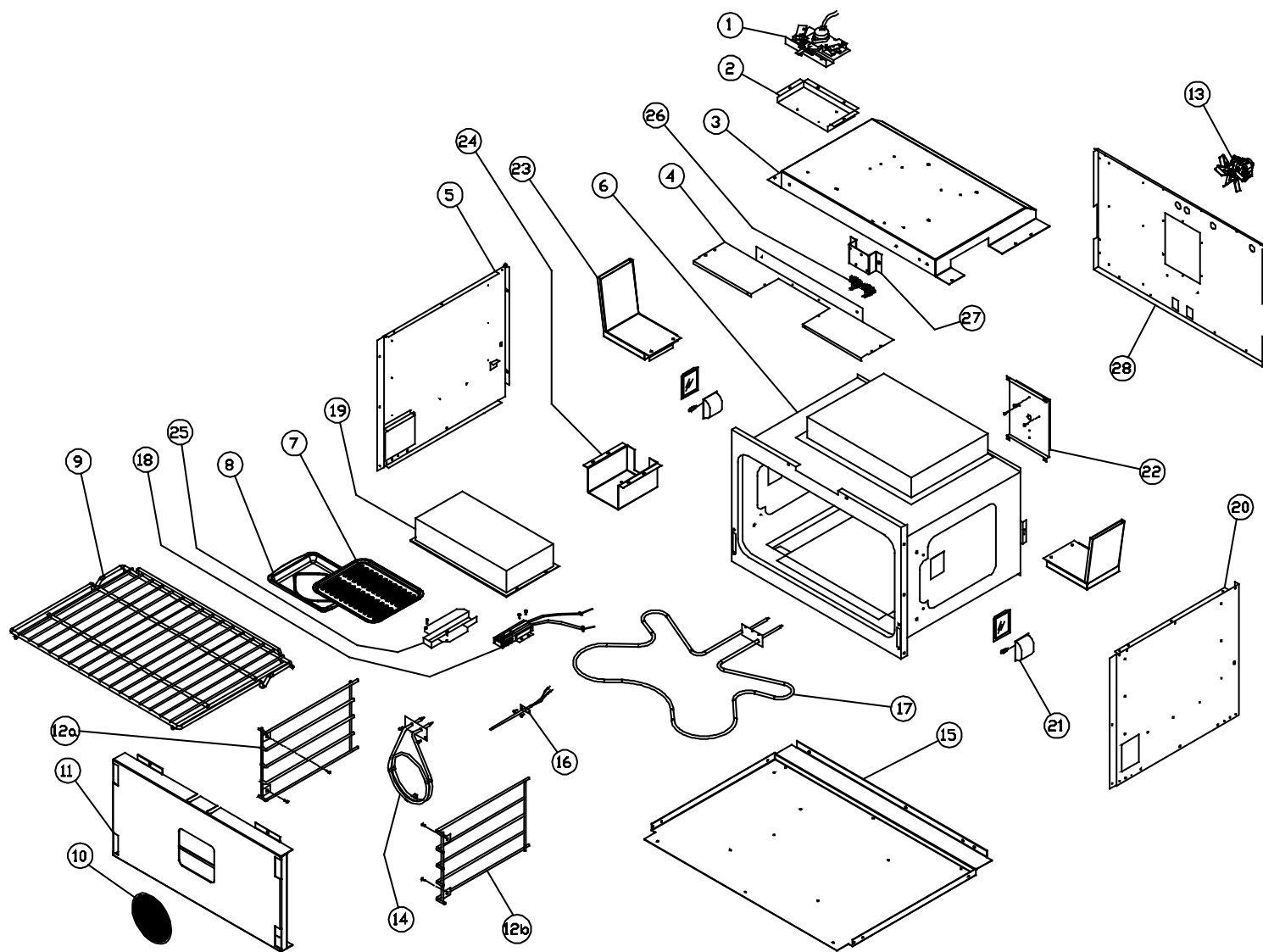
ERD30 Sub-Chassis Assembly



Item	Part #	Description
1	36517	Exhaust Duct
2	36253	Side Panel, Right
3	36252	Side Panel, Left
4	36255	Cover, Halogen Light
5	12423	Assy, Oven Case
6	36514	PCB & Module MTG. Plate
7	36425	Back Cover
8	27687	Side Support, Right
9	36504	Side Support, Left
10	86526	Spark Module
11	92028	Relay PCB

Item	Part #	Description
12	36275	Spacer, Hi-Limits
13	82987	Thermal Switch, Hi-Temp
14	13391	Asy, Regulator
15	80096	Insulation, Vent Riser
16	36518	Primary Air Box
17	36553	Orifice Alignment Plate
18	72005	Assy, IR Orifice Fitting, NG
18	72002	Assy, IR Orifice Fitting, LP
19	83440	Locknut, 3/4"
20	36912	Back Cover Plate
21	36408	Cover, Rear Air Duct
22	36259	Shield, Vent Riser
-	82347	Cooling Fan (not shown)

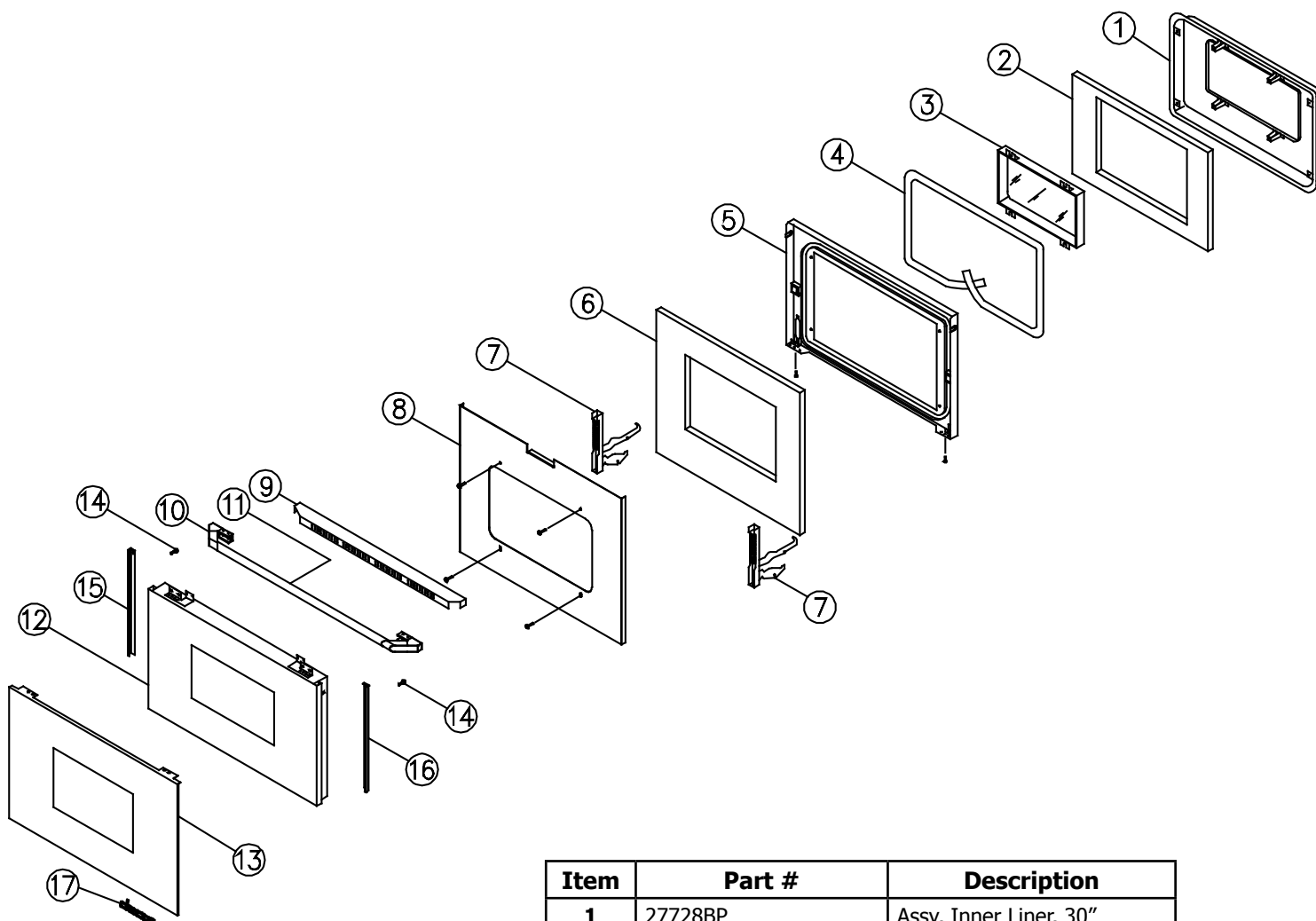
ERD30 Cell Assembly



Item	Part #	Description
1	86166	Asy, Door Latch
2	26598	Latch Plate
3	36242	Case Top, Rear
4	36241	Case Top, Front
5	27575	Asy, Case Side, Left
6	27572BP	Asy, Oven Cell
7	82106	Porcelain Grill
8	82107	Porcelain Pan
9	62139	Oven Racks, 30"
10	82891	Filter-Convection Oven
11	36816BP	Convection Baffle
12a	62747	Rack Support, Left
12b	62748	Rack Support, Right
13	62101	Asy, Convection Fan
14	82377	Convection Element, 240 V

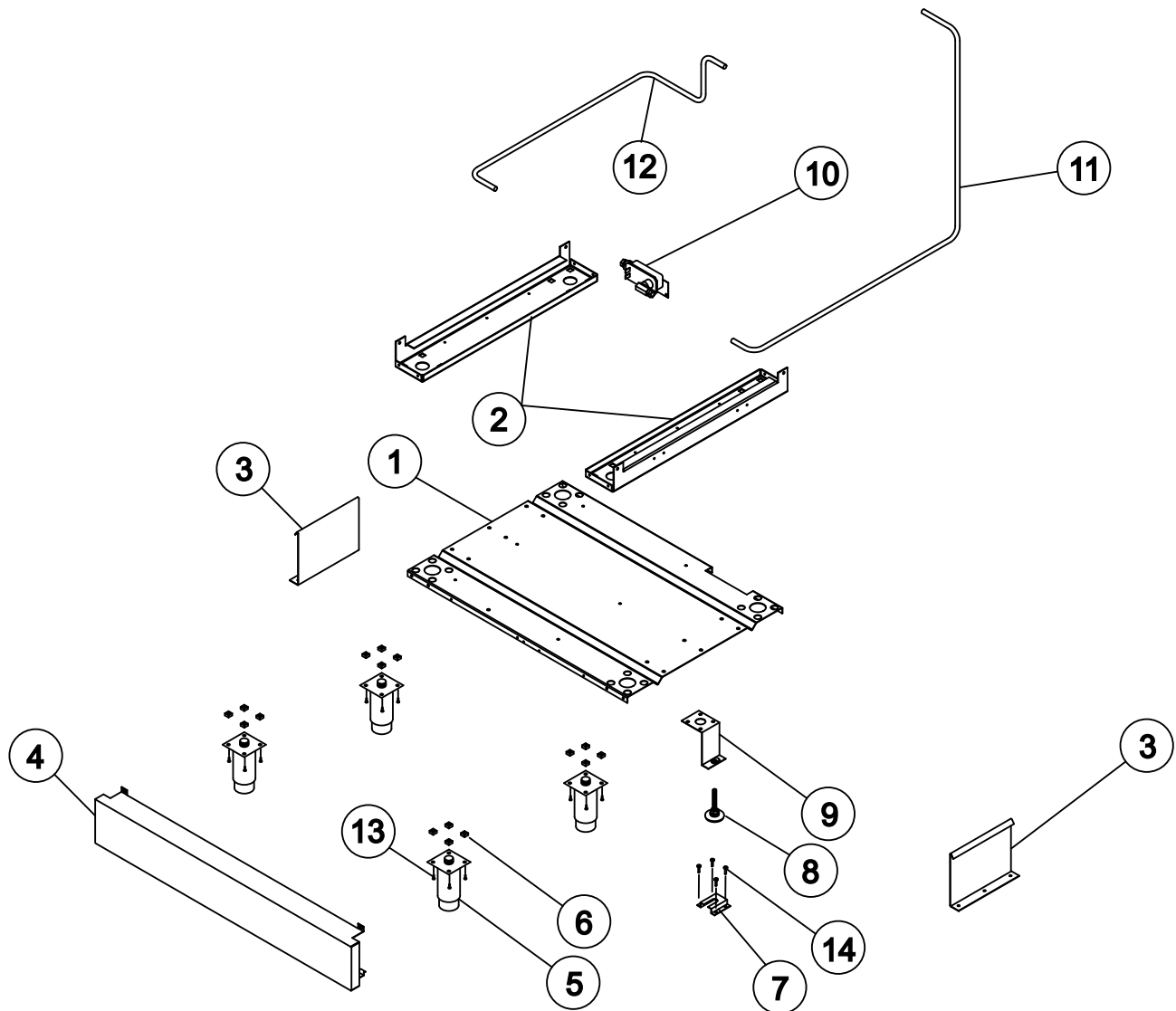
Item	Part #	Description
15	26633	Case Bottom
16	62593	Temperature Sensor
17	62628	Bake Element
18	82473	Hot Surface Igniter
19	12422	Asy, Infrared Burner
20	27574	Asy, Case Side, Right
21	86573	Halogen Blub, 10 W
22	36280	Convection Motor MTG Plate
23	27581	Asy, Duct Vent Horizontal
24	36320BP	Shield, Venturi
25	66629	Igniter Shield
26	82987	Thermal Switch, Hi-Temp
27	36275	Spacer, Hi-Limits
28	36243	Case Back

ERD30 Door Assembly



Item	Part #	Description
1	27728BP	Assy, Inner Liner, 30"
2	80207	Insulation, Door
3	72148 ¹	Assy, Window Pack, 1 Inch ¹
4	72020	Door Gasket
5	86746	Asy, Door Liner, 30"
6	80213	Insulation, Outer Liner
7	701035 ²	Hinge Kit ²
8	36956B	Heat Shield, 30"
9	36385B	Door Vent
10	62691BK/BR/CH/CP	End Cap
11	13407SBK/SBR/SCH/SCP	Asy, Handle, Door
12	27613B	Asy, Door Frame
13	66092 ³	Asy, Door Skin, Service ³
14	83618	Rubber Bumper
15	26370	Trim, Door Edge, Left
16	26371	Trim, Door Edge, Right
17	72511BR/CH/CP	Dacor Logo, Small
¹ Order P/N 72148 for models built after S/N FG13220823, Order P/N 12470 for models built before S/N FG13220823.		
² Order as kit, 701035. Includes 2 hinges.		
³ Order as kit, 66092, door skin with glass installed.		

ERD30 Base Assembly



Item	Part #	Description
1	36410	Base, Tray
2	36405	Oven Support
3	36268	Bracket, Pallet
4	26801	Kick Panel
5	700000	Leg, 1/2"
6	83398	Nut, Retainer, #1/4-20
7	26041	Bracket, Anti-Tip
8	106440	Leveler, Adjustable
9	27274	Assy, Anti-Tip Bracket
10	62317	Valve, Thermal Single
11	62666	Tube, Outlet 3/8"
12	62665	Tube, Inlet 3/8"
13	83397	Screw, Cap, 1/4-20 x 5/8"
14	83054	Screw, Phil, Pan Head, 6-32