



The Life of the Kitchen.®

PARTS CATALOG

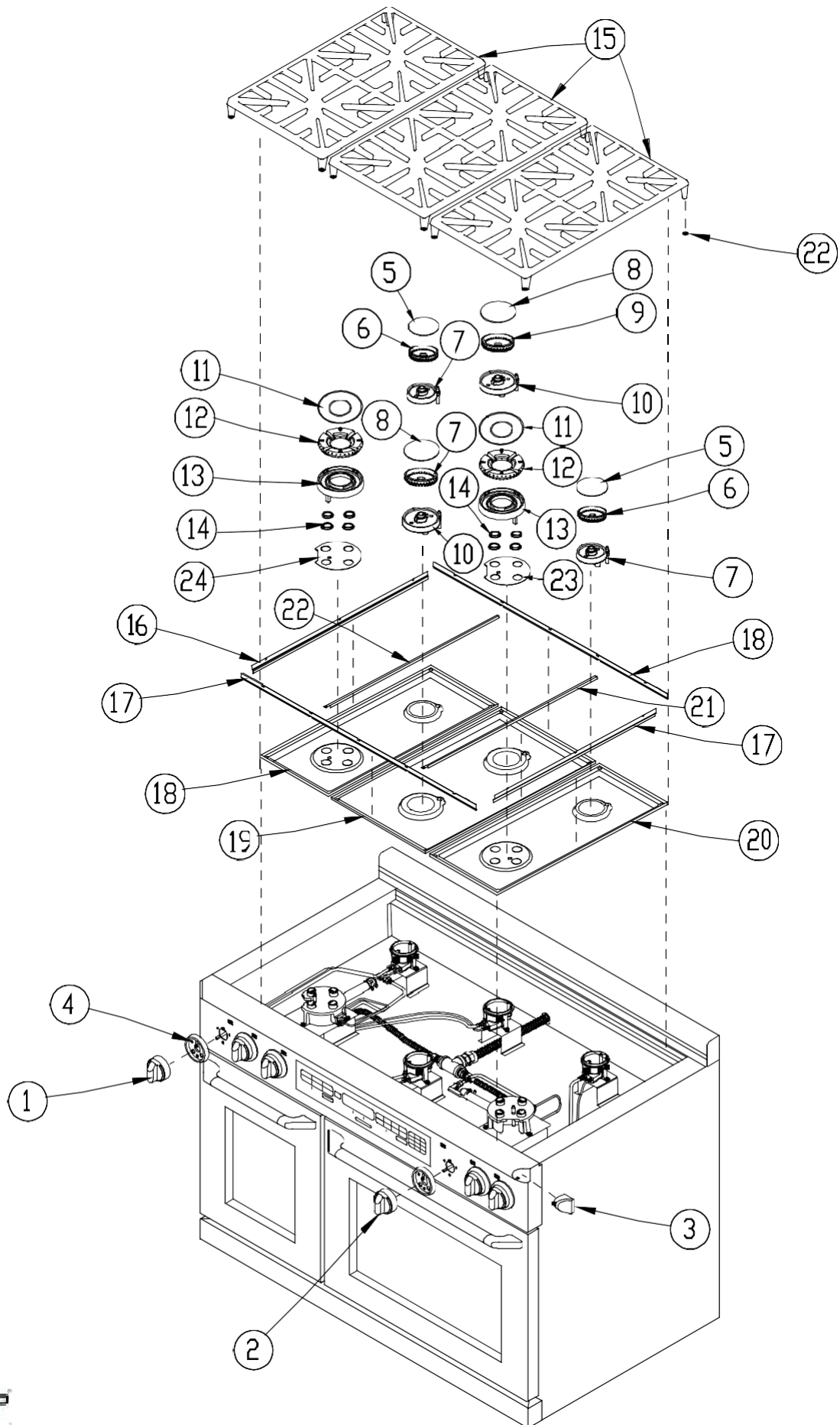
ER48D Range

Page	Description	Page	Description
2	Cooktop Assembly	11	Oven Parts (Diag. 2)
3	Cooktop Parts	12	Exterior Components
4	Burners and Tubes	13	Exterior Parts
5	Manifold Assembly	14	Door Assembly (Right)
6	Manifold Parts	15	Door Parts (Right)
7	Control Panel Assy	16	Door Assembly (Left)
8	Control Panel Parts	17	Door Parts (Left)
9	Oven Assy (Diag. 1)	18	Base Assembly
10	Oven Assy (Diag. 2)	19	Misc. Parts, Fasteners

IMPORTANT: This model is not approved for field conversions from one gas type to another and from one altitude setting to another.

Revised 07-08-2014

ER48D Cooktop Assembly



ER48D Cooktop Parts

Item	Part #	Description	Fasteners Required (Quantity) Part # ¹
1	100127-01	KNOB, BLACK, RF, RR, LF, LR	
	105374-01	KNOB, METALLIC, RF, RR, LF, LR	
2	100127-02	KNOB, BLACK, CF, CR	
	105374-02	KNOB, METALLIC, CF, CR	
3	100128CH	END CAP, CHROME (2 PER UNIT)	(1) 101505
	100128CP	END CAP, COPPER (2 PER UNIT)	(1) 101505
	100128BC	END CAP, BLACK CHROME (2 PER UNIT)	(1) 101505
	100128BR	END CAP, BRASS (2 PER UNIT)	(1) 101505
4	100122CH	TRIM RING, CHROME (6 PER UNIT)	(3) 83571
	100122CP	TRIM RING, COPPER (6 PER UNIT)	(3) 83571
	100122BC	TRIM RING, BLACK CHROME (6 PER UNIT)	(3) 83571
	100122BR	TRIM RING, BRASS (6 PER UNIT)	(3) 83571
5	100699 ²	BURNER CAP, 8.5K STACK BURNER (2 PER UNIT)	
6	100699 ²	BURNER RING, 8.5K STACK BURNER (2 PER UNIT)	
7	100696	BURNER BASE ASSEMBLY 8.5K STACK BURNER (2 PER UNIT)	(2) 700007
8	700493 ³	BURNER CAP, 16K STACK BURNER (2 PER UNIT)	
9	700493 ³	BURNER RING, 16K STACK BURNER (2 PER UNIT)	
10	100702	BURNER BASE ASSEMBLY 16K STACK BURNER (2 PER UNIT)	(2) 700007
11	100703 ⁴	BURNER CAP, 18K CROWN BURNER (2 PER UNIT)	
12	100703 ⁴	BURNER RING, 18K CROWN BURNER (2 PER UNIT)	
13	100703 ⁴	BURNER HEAD, 18K CROWN BURNER (2 PER UNIT)	
14	701110 ⁵	THREAD RING, KIT	
15	700038	GRATE 14" (3 PER UNIT)	
16	100835	SIDE TRIM, SPILL TRAY, CHROME (2 PER UNIT)	(3) 83708
17	100837	FRONT/REAR TRIM, SPILL TRAY, CHROME (2 PER UNIT)	(5) 83708
18	100007-01BP	SPILL TRAY, LEFT	
19	100007-02BP	SPILL TRAY, CENTER	
20	100007-03BP	SPILL TRAY, RIGHT	
21	100836BP	PORCELAIN TRIM, SPILL TRAY (2 PER UNIT)	
22	66916 ⁶	KIT, GRATE SUPPORT PAD, SERV	
23	700145	GASKET, DUAL BURNER, GRAPHITE	

¹ See fasteners page for description

² Part number 100699 is a kit containing this part. Kit contains 1 burner ring and 1 burner cap.

³ Part number 700493 is a kit containing this part. Kit contains 1 burner ring and 1 burner cap.

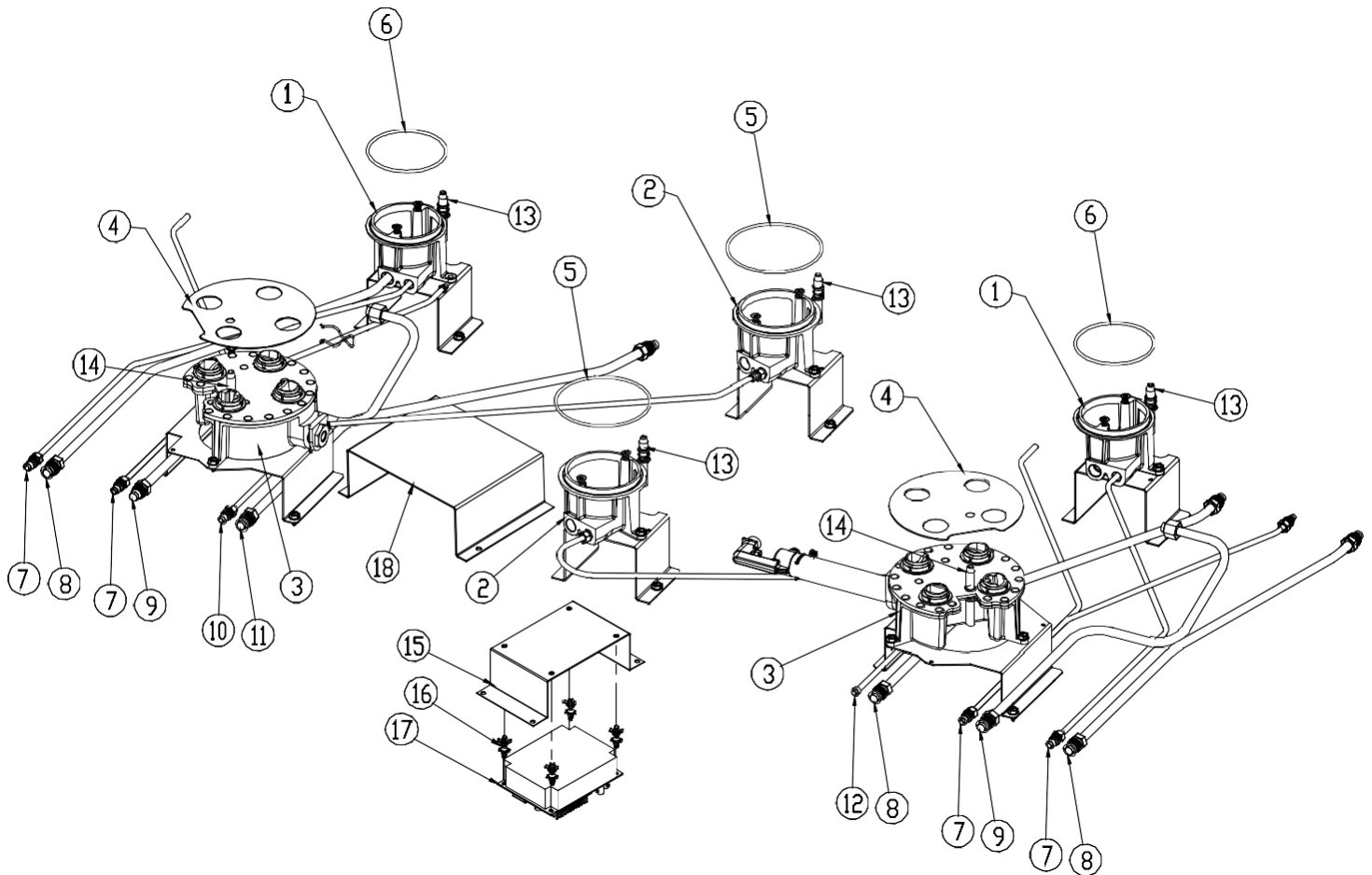
⁴ Part number 100703 is a kit containing this part. Kit contains 1 burner ring, 1 burner cap and 1 burner head.

⁵ Part number 701110 is a kit containing this part. Kit contains set of 4 thread rings.

⁶ Part number 66916 is a kit containing this part. Kit contains set of 4 support pads.

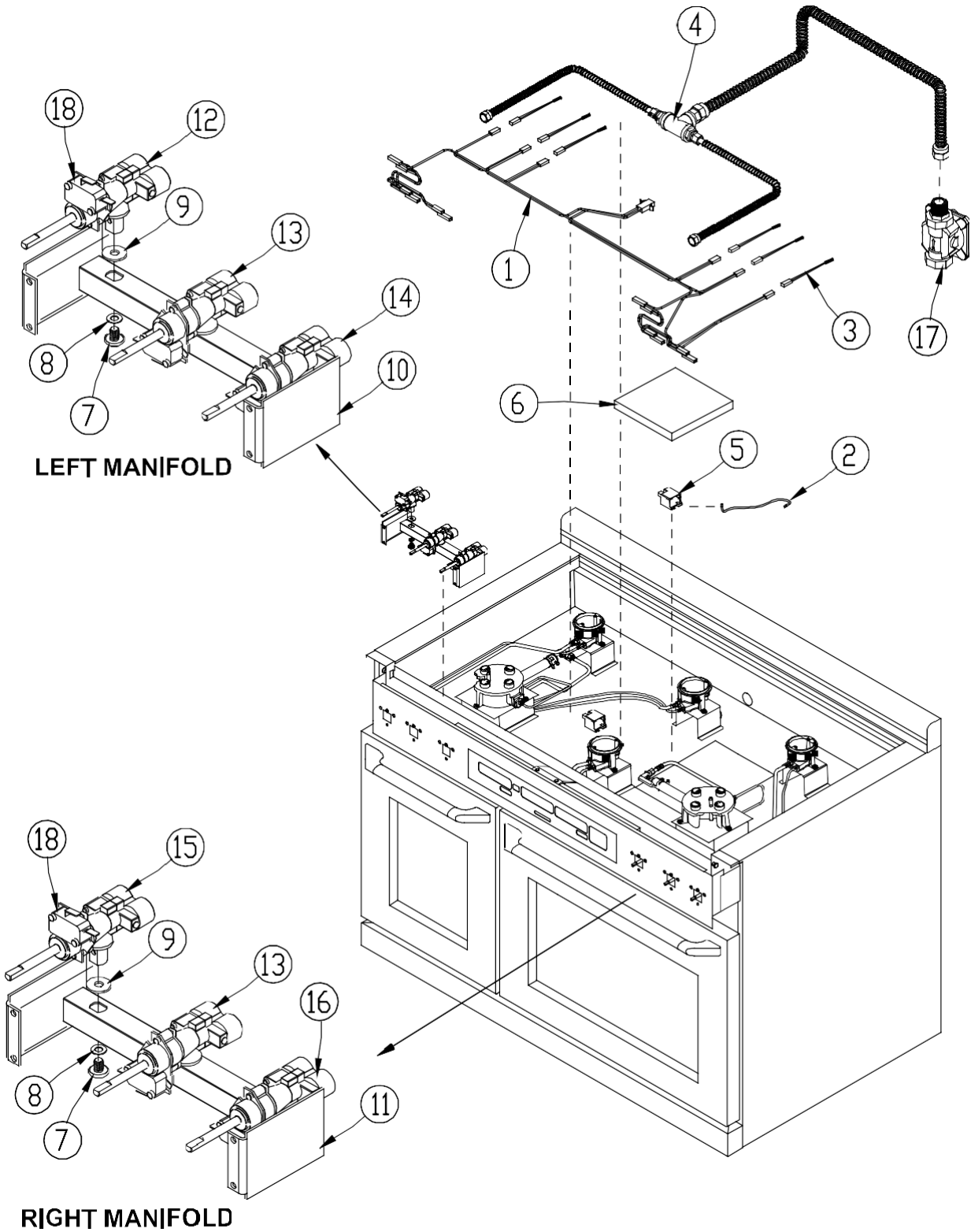


ER48D Burners and Tubes



Item	NG Part #	LP Part #	NGH Part #	LPH Part #	Description
1	700067	700346	700499-01	700499-02	ASSY, INJECTOR HOLDER, 8.5K
2	700068	700348	700500-01	700500-02	ASSY, INJECTOR HOLDER, 16K
3	700066	700345	700498-01	700498-02	ASSY, INJECTOR HOLDER, 18K
4	700145	700145	700145	700145	GASKET, DUAL BURNER, GRAPHITE
5	700015	700015	700015	700015	O-RING, 16K BURNER
6	700036	700036	700036	700036	O-RING, 8.5K BURNER
7	100580	100580	100580	100580	FLEX TUBING, 3/16 x 18"
8	100579	100579	100579	100579	FLEX TUBING, 5/16 x 18"
9	100578	100578	100578	100578	FLEX TUBING, 5/16 x 19.5"
10	100788	100788	100788	100788	FLEX TUBING, 3/16 x 23"
11	100785	100785	100785	100785	FLEX TUBING, 5/16 x 24"
12	100900	100900	100900	100900	FLEX TUBING, 3/16 x 16"
13	106087	106087	106087	106087	IGNITER KIT, 8.5K/16K
14	106088	106088	106088	106088	IGNITER KIT, 18K
15	103798	103798	103798	103798	BRACKET, ISOLATOR
16	83538	83538	83538	83538	NYLON, PCB SUPPORT
17	106104	106104	106104	106104	BOARD, LED ISOLATOR
18	106082	106082	106082	106082	SHIELD, LED ISOLATOR

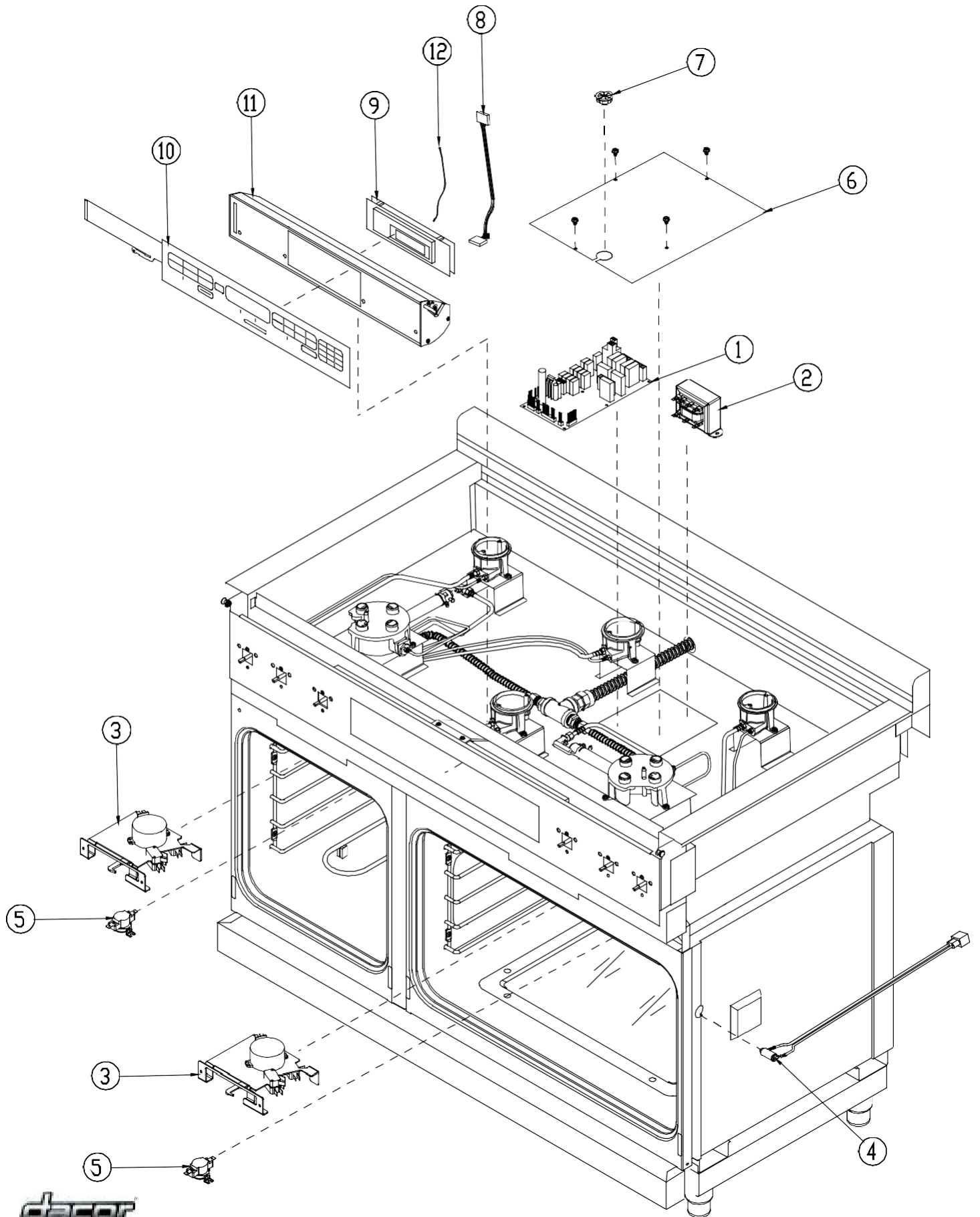
ER48D Manifold Assembly



ER48D Manifold Parts

Item	NG Part #	LP Part #	Description
1	100601 ¹	100601 ¹	WIRING HARNESS COOKTOP
	106005 ²	106005 ²	WIRING HARNESS COOKTOP
2	100595 ³	100595 ³	IGNITER WIRE
3	701616/701617 ⁵	701616/701617 ⁵	LED Kit ⁵
4	700267	700267	ASSY, INLET, MAIN MANIFOLD
5	72634	72634	IGNITER MODULE
6	100910	100910	INSULATION, SINGLE POINT IGNITER
7	101563	101563	SCREW, VALVE MOUNTING
8	101564	101564	WASHER, VALVE MOUNTING
9	101562	101562	WASHER, VALVE MOUNTING
10	700494-01 ⁴	700494-03 ⁴	ASSEMBLY, MANIFOLD, LH
11	700494-02 ⁴	700494-04 ⁴	ASSEMBLY, MANIFOLD, RH
12	101561-01	101561-06	VALVE, 8.5K, LR
13	101561-03	101561-08	VALVE, 18K, LF/RF
14	101561-02	101561-07	VALVE, 16K, CR
15	101561-05	101561-10	VALVE, 16K, CF
16	101561-04	101561-09	VALVE, 8.5K, RR
17	100653	100965	REGULATOR 3/4"
18	103789	103789	SWITCH, SPARK (not shown)
-	72920 ¹	72920 ¹	HOLDER, "BLUE" LIGHT (not shown) ¹
-	103757 ²	103757 ²	RETAINING RING (not shown) ²
-	106020 ²	106020 ²	WIRING HARNESS, 5 VDC (not shown) ²
¹ Use with Rev. A-C for ER48D/NG and ER48D/LP models. ¹ Use with Rev. A-D for ER48D/NG/H and ER48D/LP/H models.			
² Use with Rev. D and above for ER48D/NG and ER48D/LP models. ² Use with Rev. E and above for ER48D/NG/H and ER48D/LP/H models.			
³ Part number 100595 is a kit containing 6 wires, cut to the correct lengths to accommodate all 6 burners.			
⁴ May be ordered only with RTM approval. Serial number required. Cannot be ordered to convert range to a different fuel.			
⁵ Use kit P/N 701616 for units before serial number F-C-10340006. Use kit P/N 701617 for units after serial number F-C-10340006 (includes isolator board). All versions include 6 LED assemblies. Replace all 6 so that they match in brightness.			

ER48D Control Panel Assembly



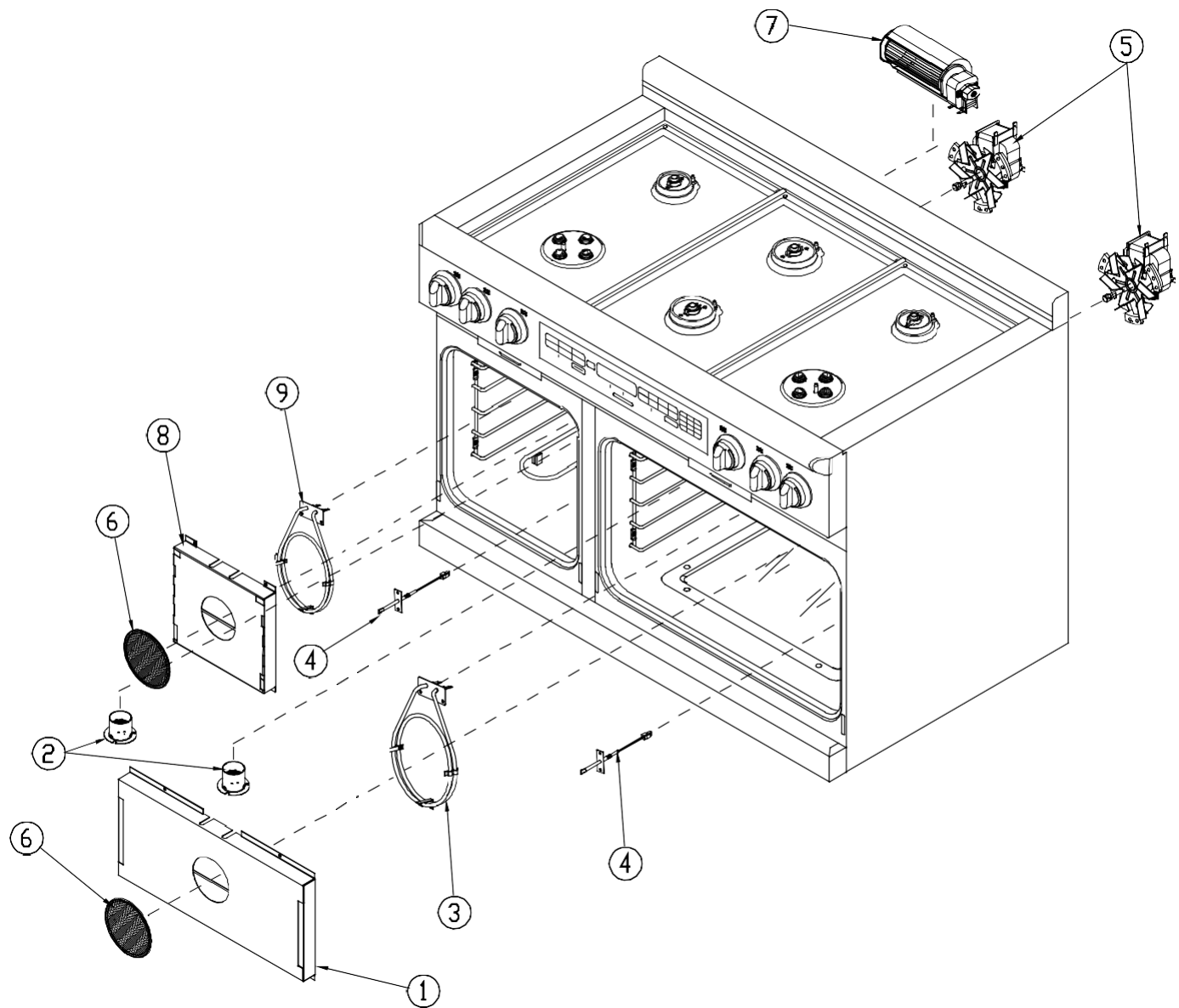
ER48D Control Panel Parts

Item	Part #	Description	Fasteners Required (Quantity) Part # ¹
1	100611	PRINTED CIRCUIT BOARD, POWER	
2	100832	TRANSFORMER, LIGHTING	(2) 83023
3	701191	DOOR LATCH	(2) 83023
4	72717	CONNECTOR, MEAT PROBE	
5	82987	SWITCH, HIGH LIMIT	(2) 83023
6	100623	COVER, POWER BOARD	(4) 83023
7	92191-02	BUSHING, 1.00"	
8	100596 ²	WIRING HARNESS, CONTROLLER BOARD	
9	106731	CONTROLLER BOARD	(4) 83308
10	105311 ²	MEMBRANE KEYPAD	(3) 83308
11	700513-02 ²	ASSEMBLY, FLIP UP CONTROLLER, SERVICE	(4) 83308
12	100605 ²	WIRE, GROUND, CONTROL PANEL	
13	83023	SCREW, SLOT HWH, #10 x 3/8	
-	100131	WIRING HARNESS, MAIN (not shown)	
-	100598	WIRING HARNESS, LIGHTING (not shown)	
-	100592	WIRING HARNESS, DOOR LATCH (not shown)	

¹ See fasteners page for description

² Kit part number 700057-02 includes the entire control panel assembly with wiring harnesses (except the controller board).

ER48D Oven Parts (Diagram 1)



Item	Part #	Description	Fasteners Required (Quantity) Part # ¹
1	701117 ²	CONVECTION BAFFLE KIT (right oven)	(4) 83708
2	72755	SMOKE ELIMINATOR	(2) 83708
3	72719	CONVECTION ELEMENT (right oven)	(3) 83708
4	72752	TEMPERATURE SENSOR	(2) 83708
5	62101 ³	CONVECTION MOTOR AND FAN	(3) 83709
6	82891	FILTER, CONVECTION	
7	100324	COOLING FAN	83023
8	701118 ⁴	CONVECTION BAFFLE KIT (left oven)	(4) 83708
9	82377	CONVECTION ELEMENT (left oven)	(3) 83708

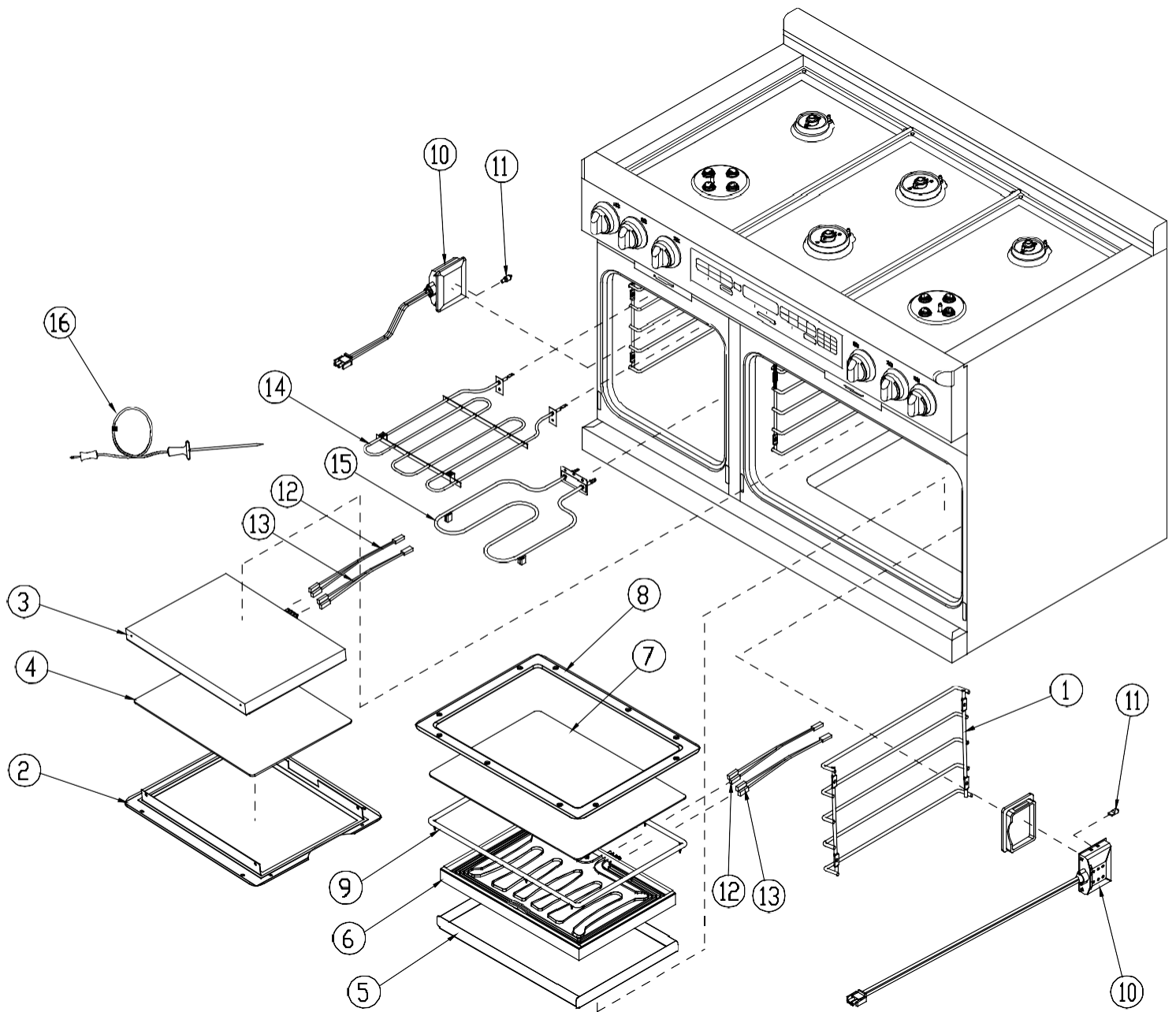
¹ See fasteners page for description

² Part number 701117 is a kit containing these parts. Kit contains convection baffle and 4 screws.

³ Part number 62101 is a kit the convection fan, motor and hardware. Kit contains convection fan motor, fan blade, washer and nut.

⁴ Part number 701118 is a kit containing these parts. Kit contains convection baffle and 4 screws.

ER48D Oven Assembly (Diagram 2)



ER48D Oven Parts (Diagram 2)

Item	Part #	Description	Fasteners Required (Quantity) Part # ¹
1	701116 ^{2,3}	RACK SUPPORT	(4) 83708
2	27865BP	FRAME, BROIL, RIGHT OVEN	(4) 83708
3	100681	ELEMENT, BROIL, RIGHT OVEN	(4) 83708
4	72160	GLASS, BROIL ELEMENT, RIGHT OVEN	
5	701088 ⁴	BAKE ELEMENT KIT, RIGHT OVEN	
6	701088 ⁴	BAKE ELEMENT KIT, RIGHT OVEN	
7	72898	GLASS, BAKE	
8	27927BP	FRAME, BAKE	(8) 83708
9	72900	GASKET, BAKE GLASS	
10	92398	LIGHT FIXTURE, HALOGEN (INCLUDES FIXTURE AND LENS)	
11	100429	LIGHT BULB, HALOGEN, 12 V, 20 W	
12	100590	WIRING HARNESS, MALE TO FEMALE, RIGHT BROIL/BAKE ELEMENT	
13	100591	WIRING HARNESS, MALE TO MALE, RIGHT BROIL/BAKE ELEMENT	
14	62076	ELEMENT, BROIL, LEFT OVEN	(2) 83708
15	62264	BAKE ELEMENT, LEFT OVEN	(2) 83708
16	72723	MEAT PROBE	

¹ See fasteners page for description

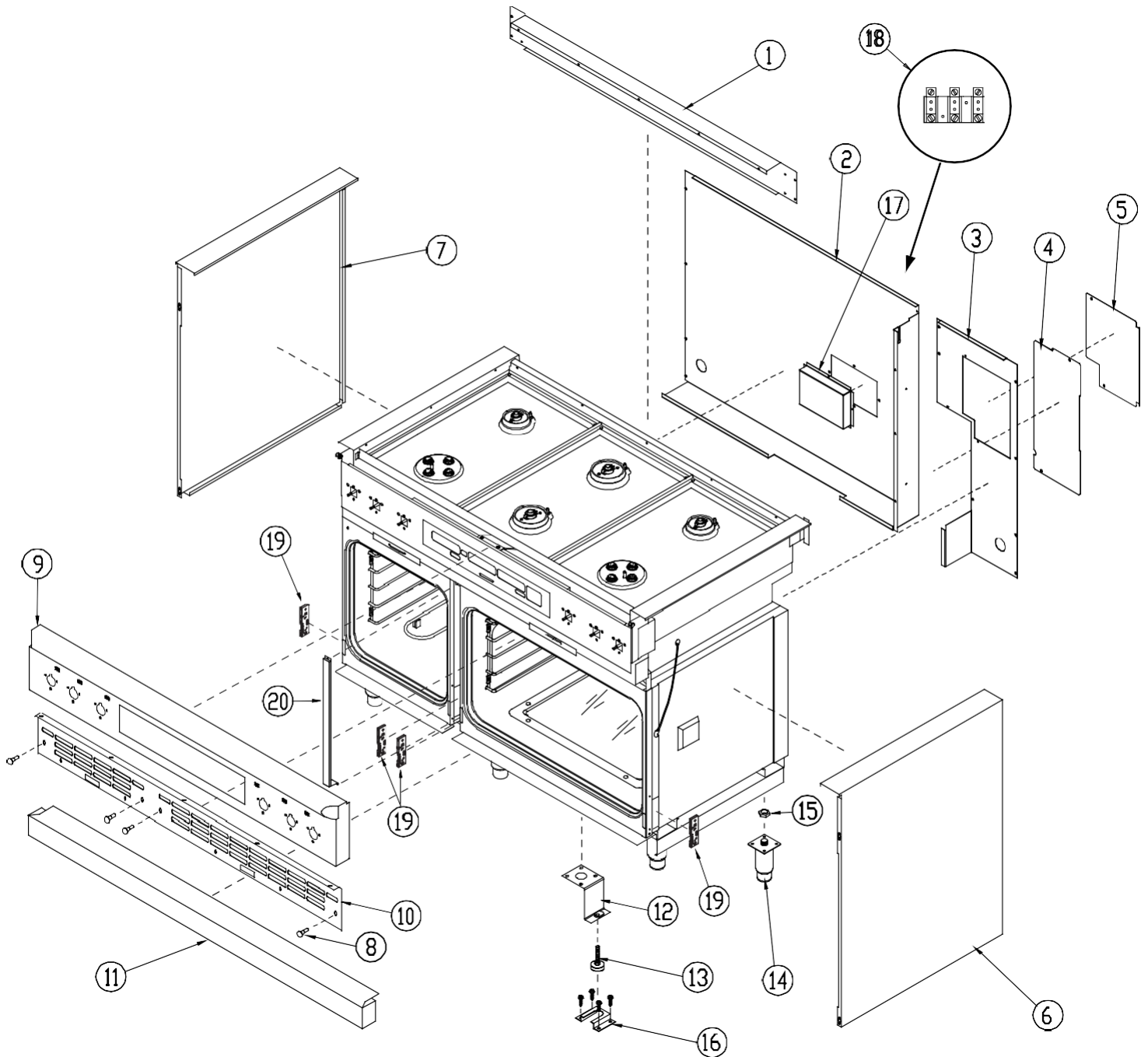
² PN 701116 is a kit containing both rack supports.

³ On the right oven, use PN 107099-01 (left rack support) and PN 107099-02 (right rack support) on the following revisions:

Revision H of models ER48D-C-SCH/LP, ER48D-C-SCH/NG, ER48DSCH/LP, ER48DSCH/NG
Revision J of models ER48D-C-SCH/LP/H, ER48D-C-SCH/NG/H, ER48DSCH/LP/H, ER48DSCH/NG/H
and serial numbers: F-G12310003, F-G12310004, F-G12310014, F-G12310016 (ER48DSCH/NG)
All units manufactured before or after these revisions use kit PN 701116.

⁴ PN 701088 is a kit containing these parts. Kit contains bake element and bake element tray.

ER48D Exterior Components



ER48D Exterior Parts

Item	Part #	Description	Fasteners Required (Quantity) Part # ¹
1	100457 ²	ISLAND, TRIM	(5) PN 83708, (8) PN 83023
	700447 ³	BACKGUARD, 3-INCH	(5) PN 83708, (8) PN 83023
	700436 ⁴	BACKGUARD, 9-INCH	(5) PN 83708, (8) PN 83023
	700417 ⁵	BACKGUARD, 24-INCH	(5) PN 83708, (24) PN 83023
2	102454	PANEL, RR, LEFT	
3	102456	PANEL, RR, RIGHT	
4	102451	COVER, JUNCTION BOX	(2) 83023
5	102452	COVER, REGULATOR	(4) 83023
6	700219	ASSY, SIDE PANEL, RIGHT	83708
7	700220	ASSY, SIDE PANEL, LEFT	83708
8	83618	RUBBER BUMPER (2 REQUIRED PER UNIT)	
9	100853E	CONTROL PANEL, ETCHED	
10	100272B	INTAKE GRILL	(8) 83709
11	700221	ASSY, KICK PANEL	(3) 83708
12	27274	BRACKET, ANTI-TIP LEVELER	
13	106440	LEVELER, ANTI-TIP	
14	700000	LEG *****PLASTIC INSERT, LEG 66813*****	
15	100730	NUT, JAM, HEX, #10-3/4"	
16	26041 ⁶	BRACKET, ANTI-TIP	(4) 83054
17	102450	BOX, RR PANEL	
18	102384	TERMINAL BLOCK	
19	701084	KIT, HINGE RECEPTACLE (1 right. 1 left)	(4 per set) 83709
20	100084BP	COVER, MID-CELL, FRONT	(2) 83709

¹ See fasteners page for description

² Replacement part number shown. Order PN AERB48D0 for complete kit.

³ Replacement part number shown. Order PN AERB48D3 for complete kit.

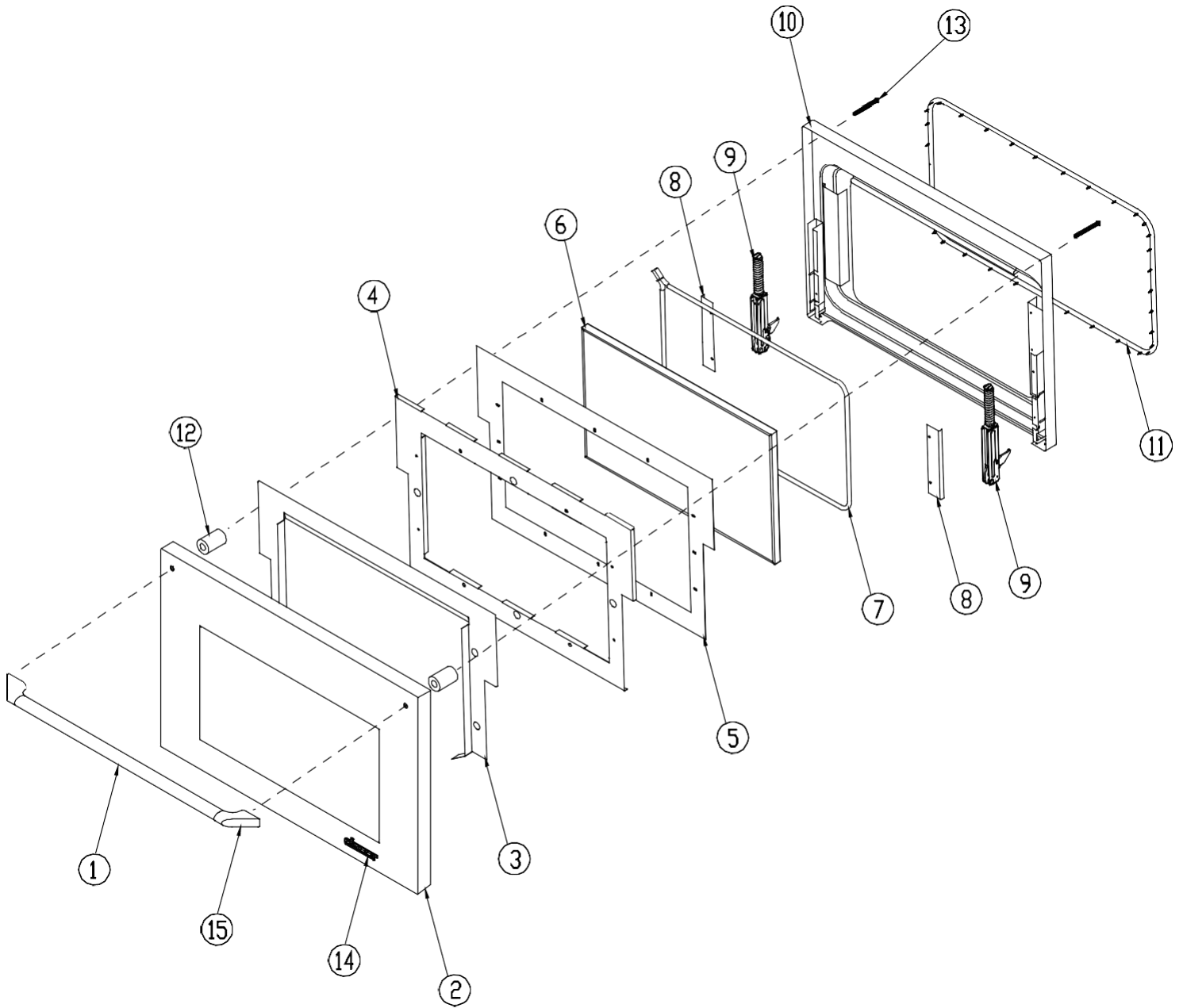
⁴ Replacement part number shown. Order PN AERB48D9 for complete kit.

⁵ Replacement part number shown. Order PN AERB48D24 for complete kit.

⁶ Screw kit must be ordered separately. Order screw kit PN 700342. Kits contains 4 screws.



ER48D Door Assembly (Right)



ER48D Door Parts (Right)

Item	Part #	Description	Fasteners Required (Quantity) Part # ¹
1	700050 ²	ASSY, DOOR HANDLE, CHROME TRIM, RIGHT DOOR	
2	701115 ³	ASSY, DOOR SKIN WITH LOGO	(2) 83709
3	100014B	HEAT SHIELD, OUTER, RIGHT DOOR	(4) 83709
4	100311B	HEAT SHIELD, LOWER, RIGHT DOOR	(4) 83709
5	100013B	HEAT SHIELD, INNER, RIGHT DOOR	(4) 83709
6	72968	WINDOW PACK, RIGHT DOOR	
7	100015	GASKET, WINDOW PACK, RIGHT DOOR	
8	36724	COVER, BRACKET, HINGE MOUNTING, (2 PER DOOR)	(3) 83709
9	701113 ⁴	HINGE KIT, RIGHT DOOR	
10	100025BP	DOOR LINER, RIGHT DOOR	
11	100021	GASKET, RIGHT DOOR	
12	72793	SPACER, DOOR LINER, RIGHT DOOR	
13	100026	SCREW, 10-32 x 2.00 TORX, PAN HEAD	
14	72511CH	LOGO, DACOR	
15	100390CP/CH/BC/BR	END CAP, HANDLE, COPPER/CHROME/BLACK CHROME/BRASS	
-	-	HINGE RECEPTACLE (see External Components)	

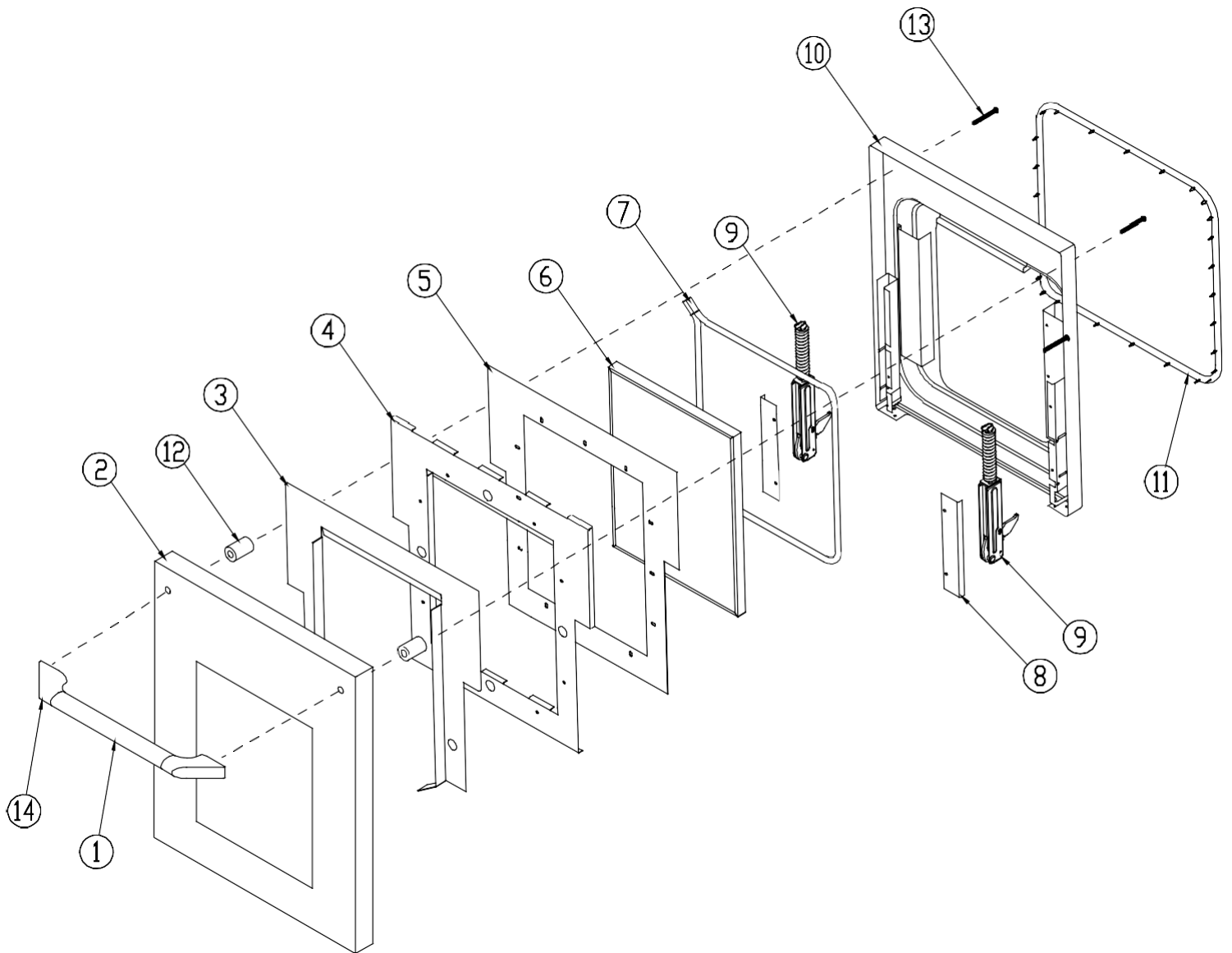
¹ See fasteners page for description

² Order as kit, part number 700050. Kit includes handle, end caps and mounting screws.

³ Order as kit, part number 701115. Includes factory installed front glass.

⁴ Order as kit, part number 701113. Kit includes both hinges.

ER48D Door Assembly (Left)



ER48D Door Parts (Left)

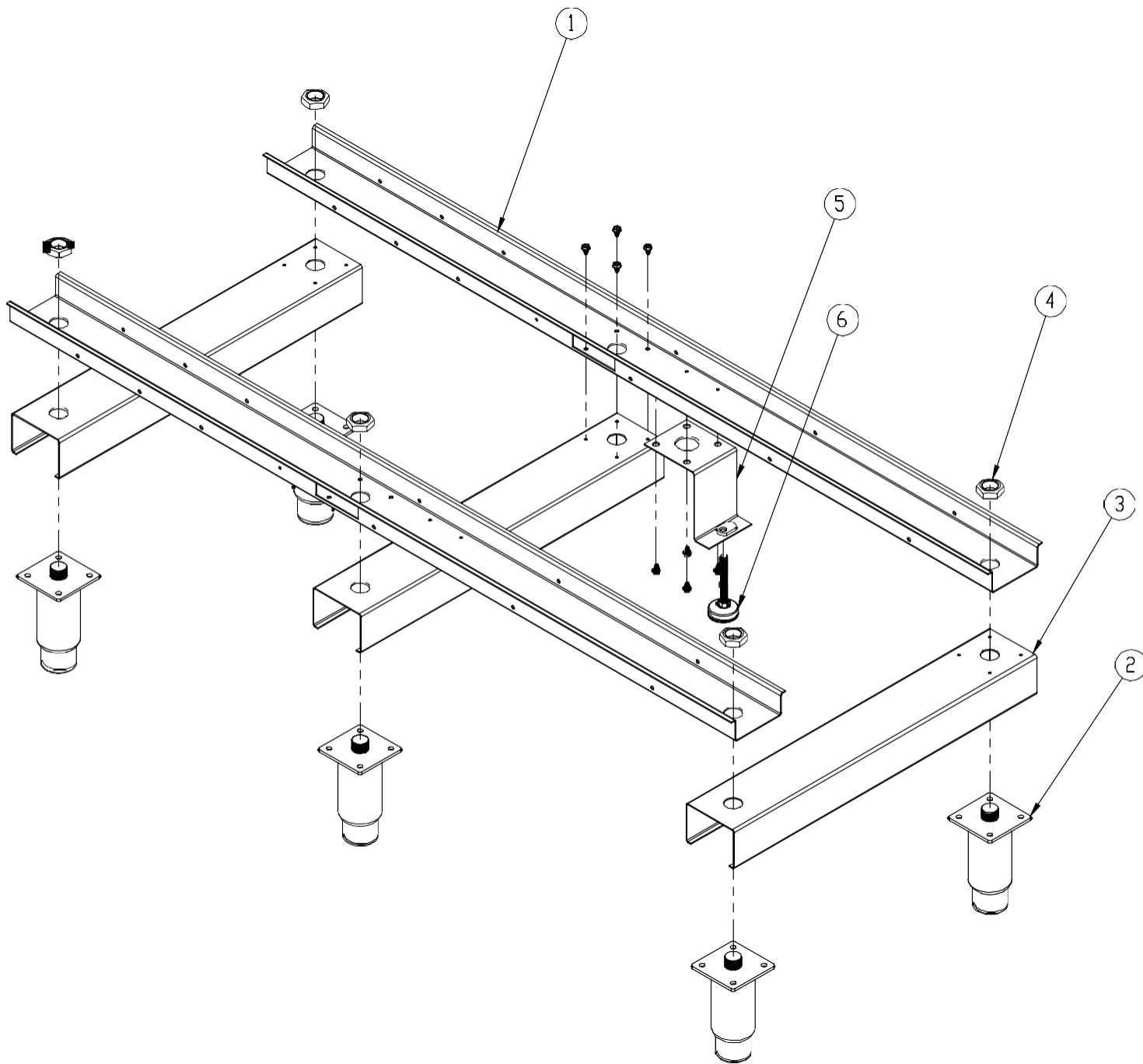
Item	Part #	Description	Fasteners Required (Quantity) Part # ¹
1	700059 ²	ASSY, DOOR HANDLE, CHROME TRIM, RIGHT DOOR	
2	700061-01	ASSEMBLY, DOOR SKIN, LEFT DOOR	(2) 83709
3	100068B	HEAT SHIELD, OUTER, LEFT DOOR	(4) 83709
4	100310B	HEAT SHIELD, LOWER, LEFT DOOR	(4) 83709
5	100067B	HEAT SHIELD, INNER, LEFT DOOR	(4) 83709
6	100069	WINDOW PACK, LEFT DOOR	
7	100073	GASKET, WINDOW PACK, LEFT DOOR	
8	36724	COVER, BRACKET, HINGE MOUNTING, (2 PER DOOR)	(3) 83709
9	701114 ³	HINGE KIT, LEFT DOOR	
10	100074BP	DOOR LINER, LEFT DOOR	
11	100072	GASKET, LEFT DOOR	
12	72793	SPACER, DOOR LINER, RIGHT DOOR	
13	100026	SCREW, 10-32 x 2.00 TORX, PAN HEAD	
14	100390CP/CH/BC/BR	END CAP, HANDLE, COPPER/CHROME/BLACK CHROME/BRASS	
-	-	HINGE RECEPTACLE (see External Components)	

¹ See fasteners page for description.

² Order as kit, part number 700059. Kit includes handle, end caps and mounting screws.

³ Order as kit, part number 701114. Kit includes both hinges.

ER48D Base Assembly



Item	Part #	Description	Fasteners Required (Quantity) Part # ¹
1	100002	BASE, FRONT/REAR	83023
2	700000	LEG	
3	100269	BASE, SIDE SUPPORT	
4	100730	NUT, JAM, HEX, #10-3/4"	
5	27274	BRACKET, ANTI-TIP LEVELER	
6	106440	LEVELER, ANTI-TIP	83023
-	66813	PLASTIC INSERT, LEG (not shown)	

¹ See fasteners page for description.

ER48D Misc. Parts, Accessories, Fasteners

Miscellaneous Parts and Accessories

Part #	Description
AWR4	WOK RING
AG1424	GRIDDLE
AEGR3648	GRILL
82107	STANDARD BROIL PAN
82106	GRILL FOR STANDARD BROIL PAN
701707 ¹	GLIDERACK™ OVEN RACK (for use with right oven only)
62783 ²	STANDARD TYPE OVEN RACK, RIGHT OVEN
62782	STANDARD TYPE OVEN RACK, LEFT OVEN
AORPVR	LARGE CAPACITY ROAST/BROIL PAN WITH V-SHAPED RACK
ABS20	PIZZA BAKING STONE
ACS363	COOKIE SHEETS (3 PER CARTON)

¹ Use PN 701633 on the following revisions:

Revision H of models ER48D-C-SCH/LP, ER48D-C-SCH/NG, ER48DSCH/LP, ER48DSCH/NG
 Revision J of models ER48D-C-SCH/LP/H, ER48D-C-SCH/NG/H, ER48DSCH/LP/H, ER48DSCH/NG/H
 and serial numbers: F-G12310003, F-G12310004, F-G12310014, F-G12310016 (ER48DSCH/NG)
 All units manufactured before or after these revisions use PN 701707.

² Use PN 107101 on the following revisions:

Revision H of models ER48D-C-SCH/LP, ER48D-C-SCH/NG, ER48DSCH/LP, ER48DSCH/NG
 Revision J of models ER48D-C-SCH/LP/H, ER48D-C-SCH/NG/H, ER48DSCH/LP/H, ER48DSCH/NG/H
 and serial numbers: F-G12310003, F-G12310004, F-G12310014, F-G12310016 (ER48DSCH/NG)
 All units manufactured before or after these revisions use PN 62783.

Fasteners

Part #	Description
101505	SCREW, 4-40 x 1/2 P FL
700007	SCREW COUNTER SUNK HEAD M4 x 0.5
83023	SCREW, SLOT #10 x 3/8 HWH
83308	NUT, KEPS, 6-32
83571	SCREW, PHILLIPS HEAD, #8 x 3/8
83708	SCREW ,TORX, WAFER HEAD, #8 x 1/2", CHOME
83709	SCREW ,TORX, WAFER HEAD, #8 x 1/2", BLACK