



The Life of the Kitchen.®

# PARTS CATALOG

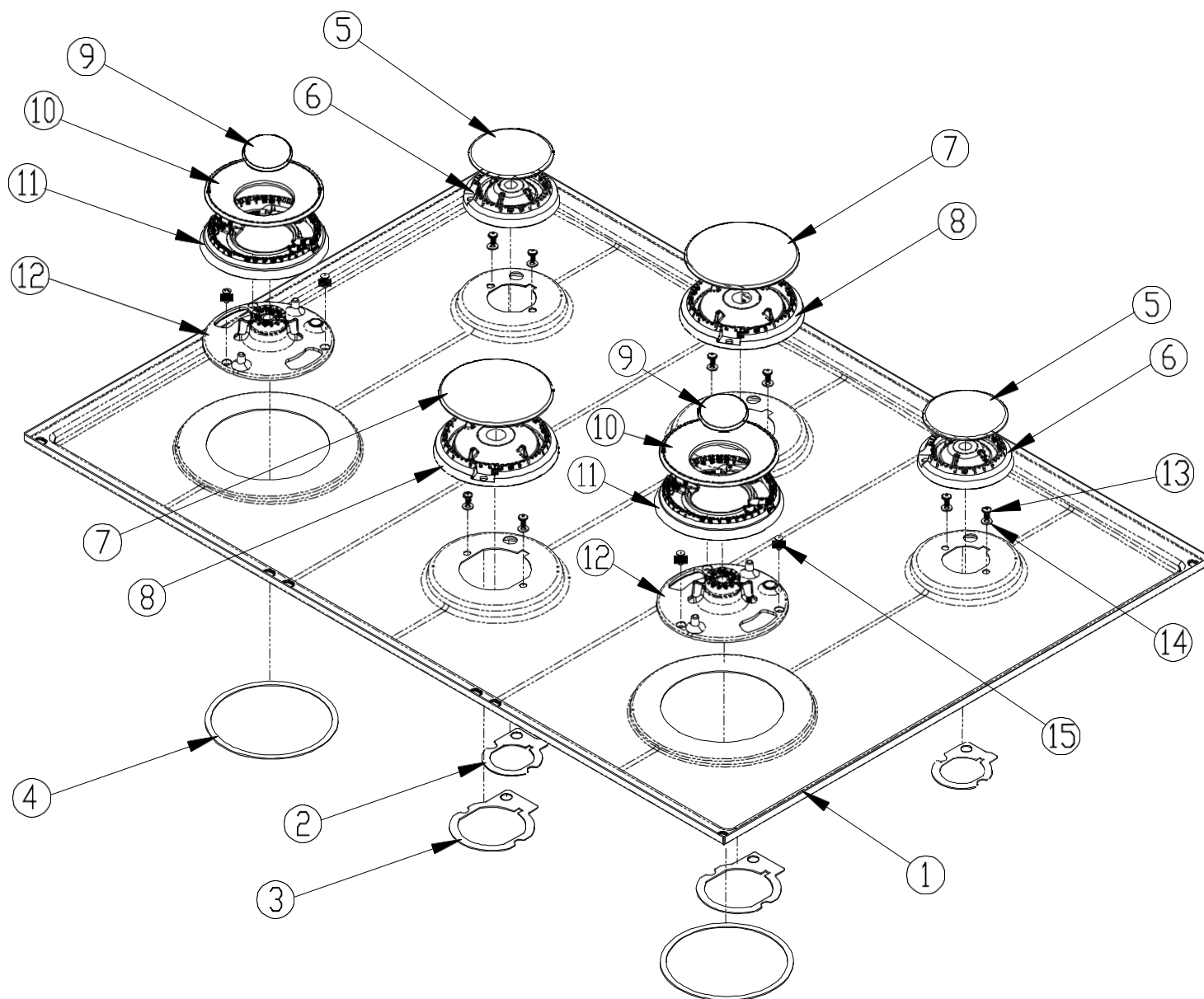
## ER36G/ER36GI Range

Page #	Description
2	Top Assembly
3	Burners and Tubes
4	Manifold Assembly
5	Control Panel Assembly
6	Door Assembly
7	Outer Assembly (ER36G)
8	Outer Assembly (ER36GI)
9	Rear Assembly
11	Cell Assembly
12	Base Assembly

**IMPORTANT:** This model is not approved for field conversions from one gas type to another and from one altitude setting to another.

Revised 07-08-2014

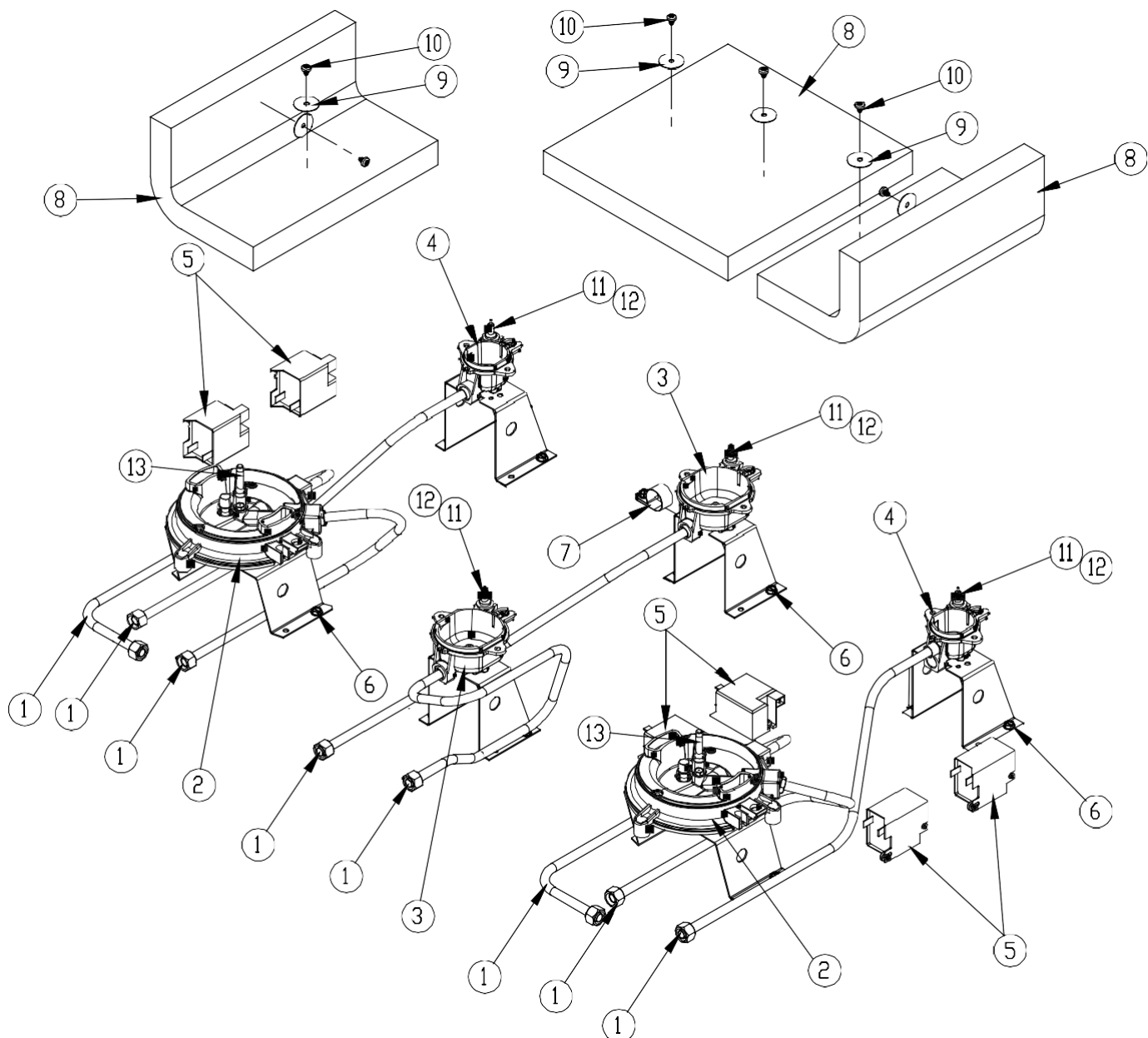
# ER36G/GI Top Assembly



Item	Part #	Description
1	106375BP	Spill Tray
2	103551	Gasket, Burner, 9.5k
3	103552	Gasket, Burner, 15k
4	103553	Gasket, Burner, 18k
5	102593	Cap, Burner, 9.5k
6	102594	Ring, Burner, 9.5k
7	102590	Cap, Burner, 15k
8	102591	Ring, Burner, 15k

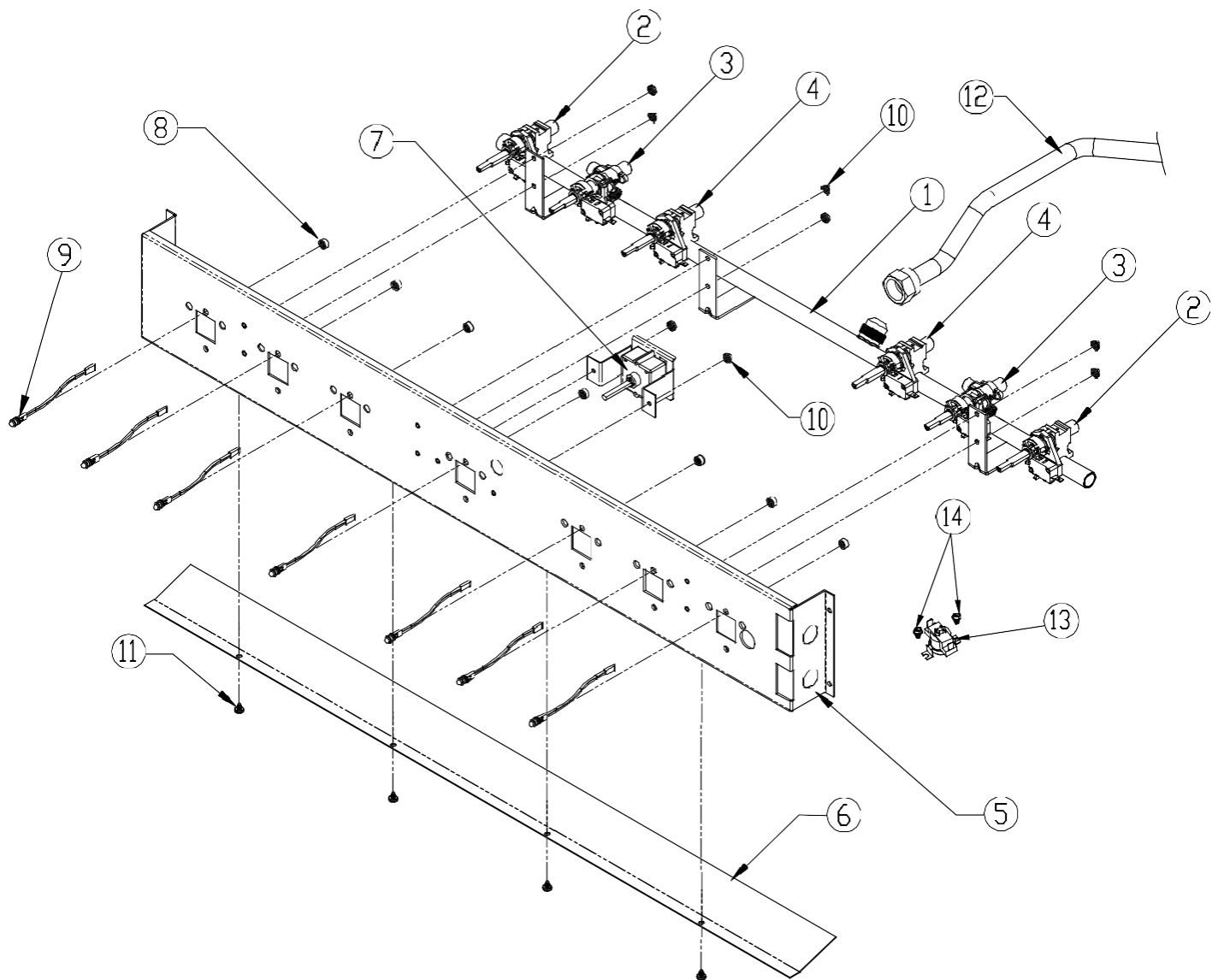
Item	Part #	Description
9	102585	Cap, Burner, Inner, 18k
10	102586	Cap, Burner, Outer, 18k
11	102588	Ring, Burner, Outer, 18k
12	102587	Ring, Burner, Inner, 18k
13	103696	Screw, M4 x 8mm Lg.
14	83272	Flat Washer, #8 S.S.
15	103755	Screw, M4 x 12mm Lg.
-	700037	Grate, 10" x 24", Center (not shown)
-	701196	Grate, 12" x 24", Left/Right (not shown)

# ER36G/GI Burners & Tubes



Item	NG Part #	LP Part #	NGH Part #	LPH Part #	Description
1	103666	103666	103666	103666	Flex Tube, Cooktop, 5/16, 18"
2	102589-01	102589-05	102589-03	102589-04	Assy, Injector Holder, 18k
3	102592-01	102592-02	102592-03	102592-04	Assy, Injector Holder, 15k
4	700931-01	700931-02	700931-03	700931-04	Assy, Injector Holder, 9.5k
5	72634	72634	72634	72634	Module, Spark
6	83023	83023	83023	83023	Screw, Slot HWH, #10 x 3/8"
7	83167	83167	83167	83167	Clamp, Cable 3/4"
8	100910	100910	100910	100910	Insulation, Single Point Igniter
9	83533	83533	83533	83533	Washer, .88OD x .165ID
10	83001	83001	83001	83001	Screw, Phil Pan HD, #8 x 1/4"
11	Re-Ignition Plug: Not sold separately, order Injector Holder Assy.				
12	103554	103554	103554	103554	"O" Ring, Igniter
13	Re-Ignition Plug: Not sold separately, order Injector Holder Assy.				
-	701202	701202	701202	701202	Set, Igniter Wire (not shown)

# ER36G/GI Manifold Assembly

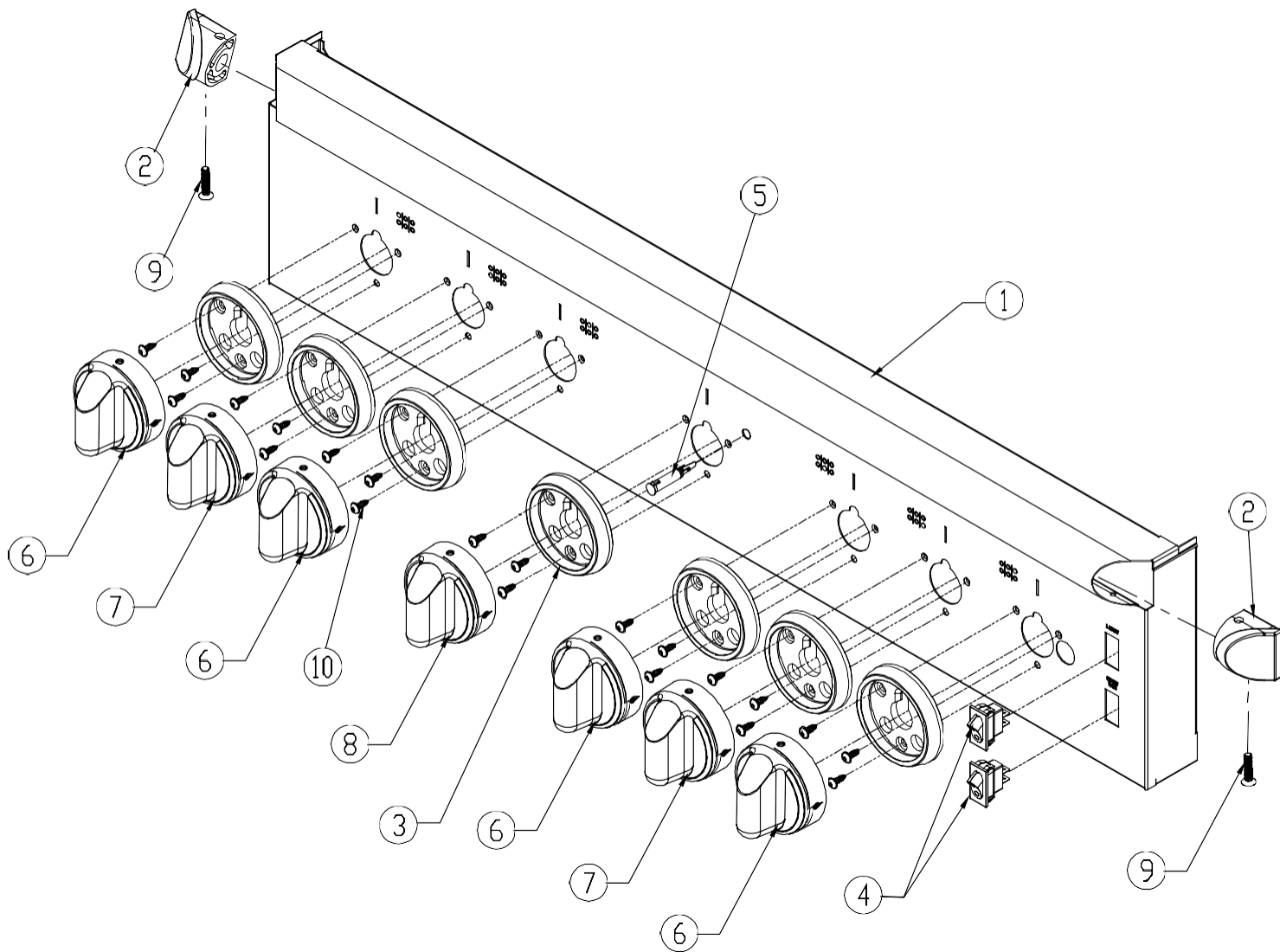


Item	NG Part #	LP Part #	NGH Part #	LPH Part #	Description
1	701153-01	701153-02	701153-03	701153-04	Assy, Manifold w/ Valves
2	103688-01	103688-03	103688-05	103688-03	Valve, Single, Alum. 9.5k
3	103689-01	103689-02	103689-03	103689-04	Valve, Dual, Brass 18k
4	103688-02	103688-04	103688-06	103688-04	Valve, Single, Alum. 15k
5	701154	701154	701154	701154	Stud, Sub-Panel
6	106356	106356	106356	106356	Deflector, Sub-Panel
7	103564	103564	103564	103564	Control, Oven Temp. Selector
8	103757	103757	103757	103757	Retaining Ring, LED
9	701618*	701618*	701618*	701618*	LED Assembly Kit*
10	83308	83308	83308	83308	Nut, Keps, #6-32
11	83001	83001	83001	83001	Screw, Phil Pan HD, #8 x 1/4"
12	102063	102063	102063	102063	Main Manifold Flex Tubing
13	82987	82987	82987	82987	Thermal Switch
14	83023	83023	83023	83023	Screw, Slot, HWH, #10 x 3/8"
-	106414	106414	106414	106414	Wire Harness, 110 VAC (not shown)
-	83138	83138	83138	83138	Tie, Cable (not shown)



\* Includes complete set of LEDs and lenses. Replace all 6 to make sure they match in brightness.

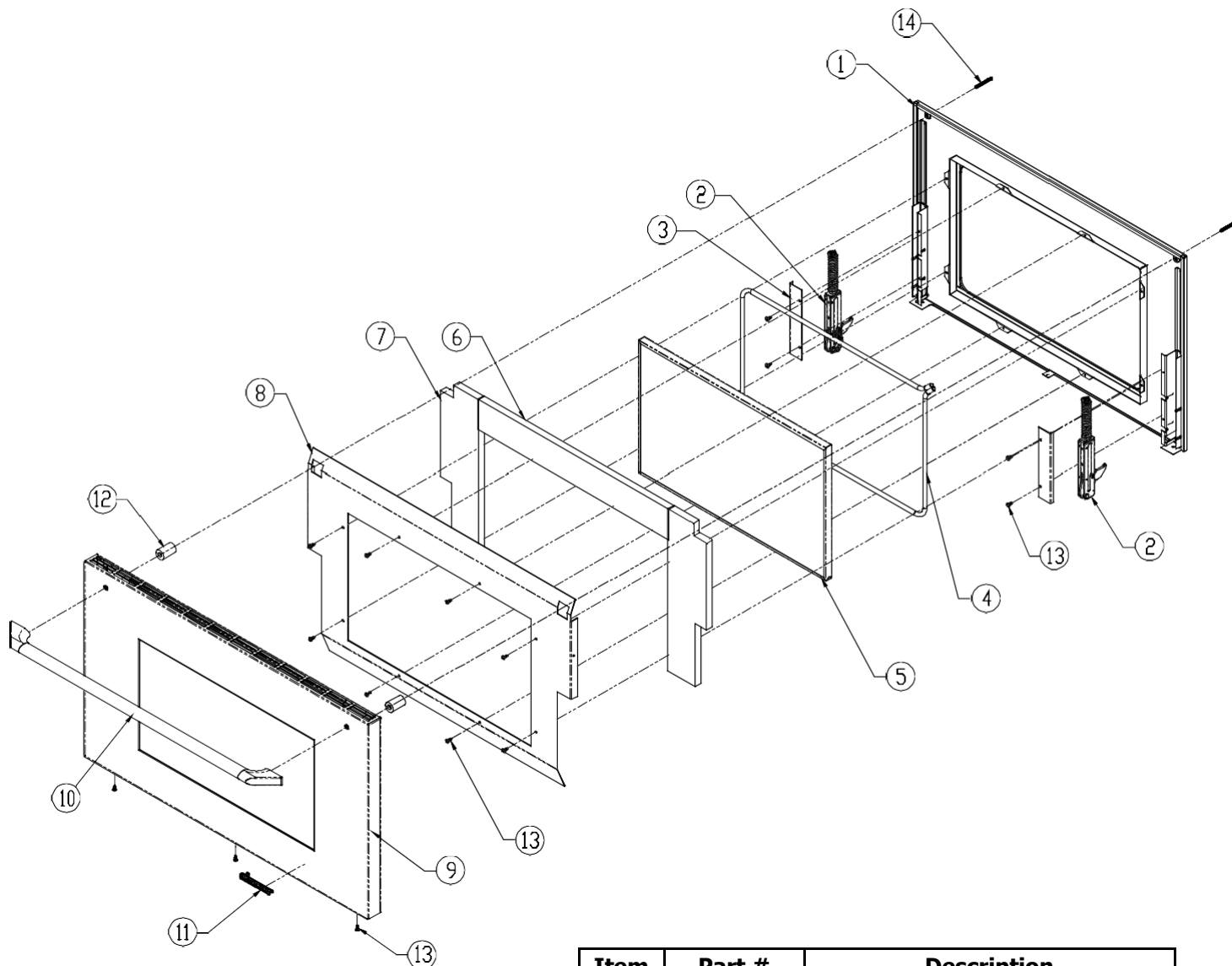
# ER36G/GI Control Panel Assembly



Item	Part #	Description
1	701160E	Weldment, Control Panel
2	100128CH	End Cap
3	100122CH	Trim Ring, Chrome
4	92407	Oven Light Switch, Blue
5	103690	Oven Indicator Light
6	100127-04	Knob, Illuminated, Black
	105374-04	Knob, Illuminated, Metallic
7	100127-05	Knob, Illuminated, Black
	105374-05	Knob, Illuminated, Metallic
8	100127-06	Knob, Illuminated, Black
	105374-06	Knob, Illuminated, Metallic
9	101505	Screw, #4-40 x 1/2", MS SS
10	83709	Screw, Trx Wfr HD, #8 x 1/2"

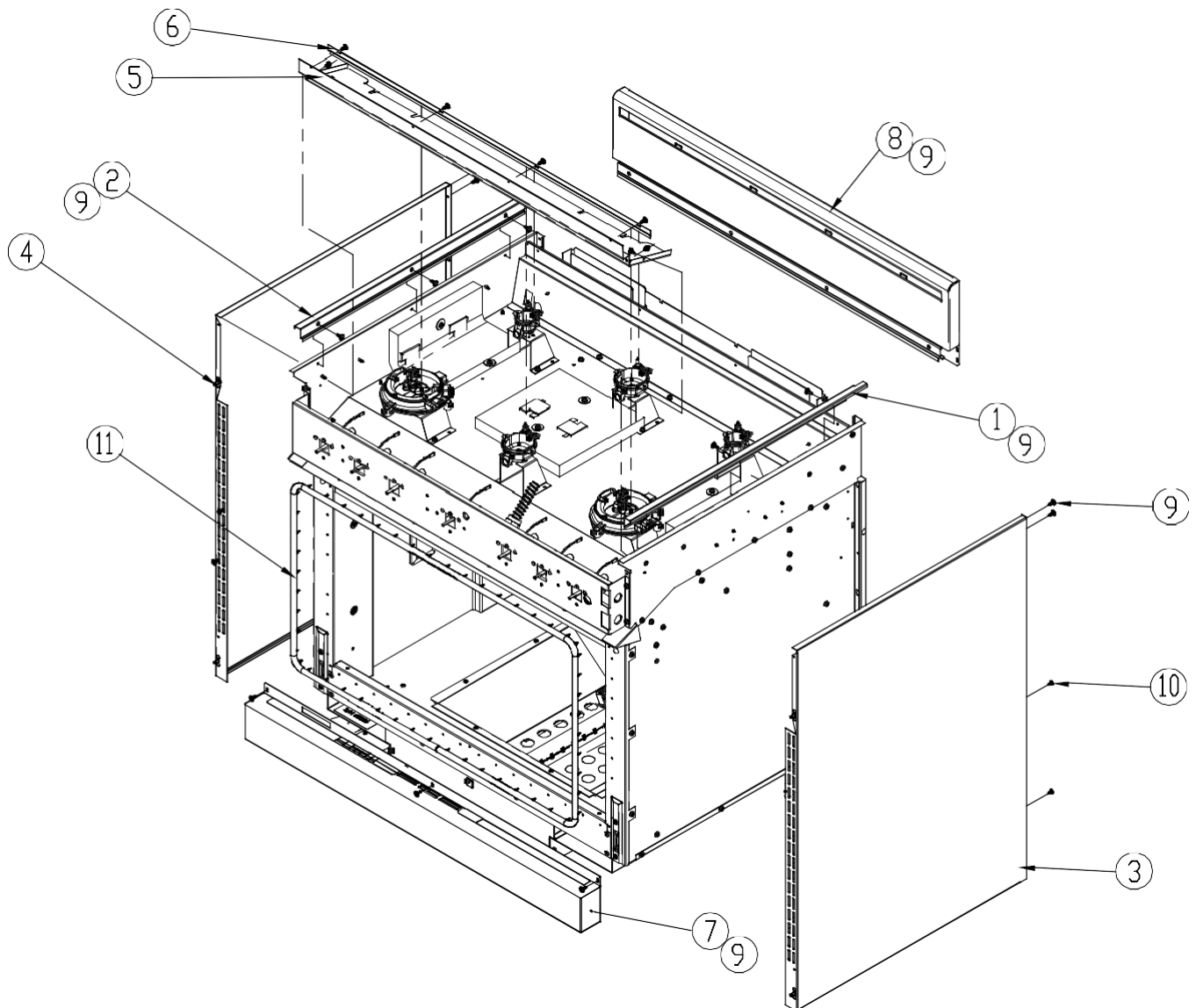


# ER36G/GI Door Assembly



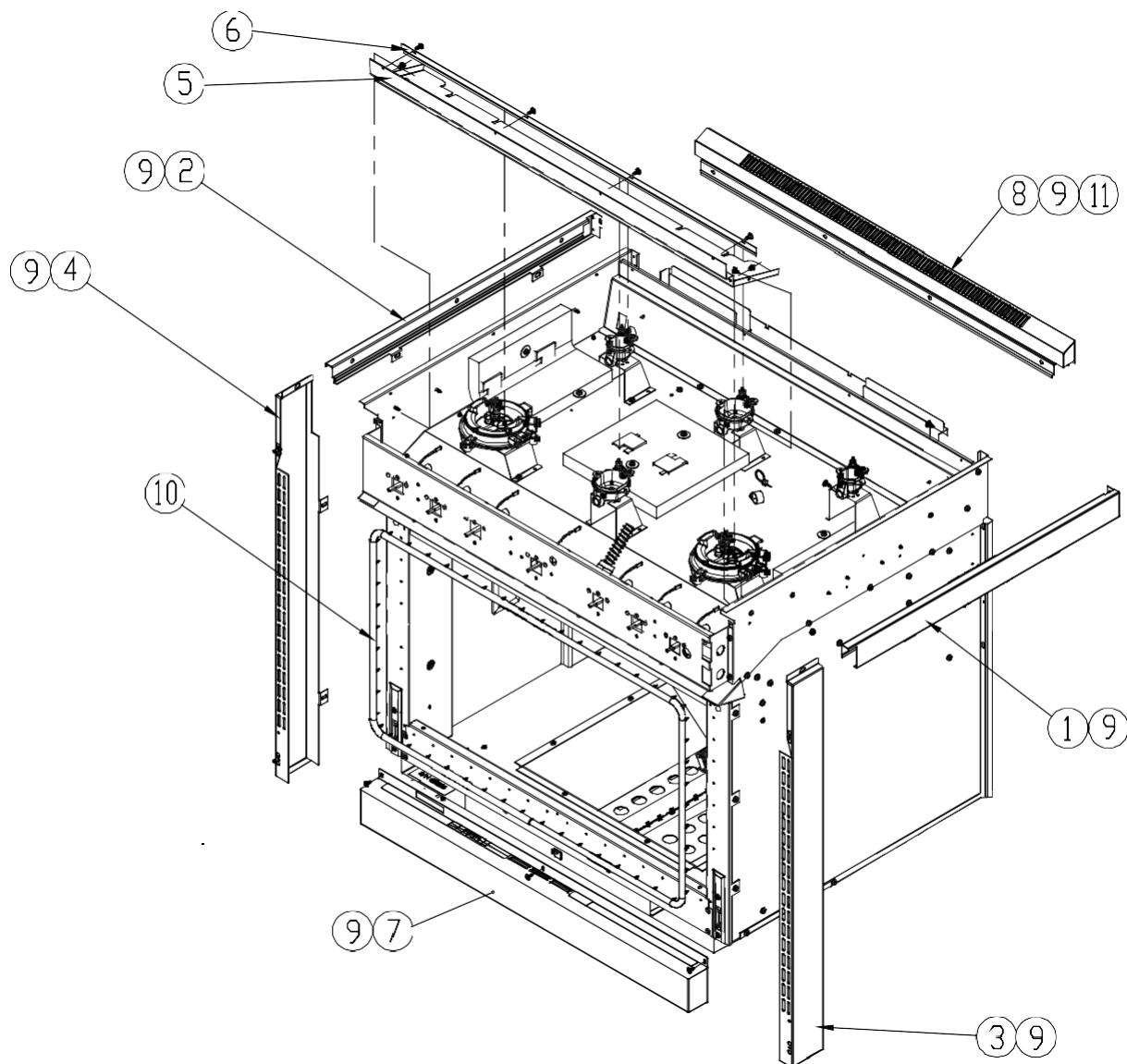
Item	Part #	Description
1	701138BP	Weldment, Liner, Door
2	701109	Door Hinge Kit, Service
3	36724	Hinge Mounting Bracket
4	100015	Gasket, Window Pack, 36"
5	72968	Window Pack
6	106335	Insulation, Top, Door
7	106417	Insulation, Side, Door
8	106334B	Shield, Heat, Door, Blk
9	701341	Assy, Skin, Door, w/ Logo 36"
10	700085	Assy, Handle, 36", Chrome
11	72511CH	Dacor Logo, 4"
12	72793	Spacer, Door Liner
13	83709	Screw, Trx Wfr HD, #8 x 1/2"
14	100026	Screw, Trx Pan HD, #10-32 x 2"
-	701140	Assy, Door ER36G/GI (complete)

# ER36G Outer Assembly



Item	Part #	Description
1	106362-02	Trim, Side, Top, Right
2	106362-01	Trim, Side, Top, Left
3	701163-02	Assy, Panel, Side, Right
4	701163-01	Assy, Panel, Side, Left
5	106369	Channel, Support, Front
6	106418	Trim, Front, Top
7	701162	Assy, Panel, Kick
8	701195	Assy, Backguard, Low Profile
	701165-01	Assy, Backguard, 6"
	701165-02	Assy, Backguard, 9"
	701263	Assy, Backguard, 24"
9	83708	Screw, Trx Wfr HD, #8 x 1/2"
10	83263	Screw, Phil Wfr, #8 x 3/8"
11	106376	Gasket, Cell, ER36G/GI

# ER36GI Outer Assembly



Item	Part #	Description
1	106424-02 <sup>1</sup>	Trim, Side, Top, Right <sup>1</sup>
	106362-02 <sup>2</sup>	Trim, Side, Top, Right <sup>2</sup>
2	106424-01 <sup>1</sup>	Trim, Side, Top, Left <sup>1</sup>
	106362-01 <sup>2</sup>	Trim, Side, Top, Left <sup>2</sup>
3	701159-02 <sup>1</sup>	Assy, Panel, Side, Island, Right <sup>1</sup>
	701193-02 <sup>2</sup>	Assy, Panel, Side, Island, Right <sup>2</sup>
4	701159-01 <sup>1</sup>	Assy, Panel, Side, Island, Left <sup>1</sup>
	701193-01 <sup>2</sup>	Assy, Panel, Side, Island, Left <sup>2</sup>
5	106369	Channel, Support, Front

Item	Part #	Description
6	106418	Trim, Front, Top
7	701162	Assy, Panel, Kick
8	701195	Assy, Backguard, Low Profile
	701165-01 <sup>3</sup>	Assy, Backguard, 6" <sup>3</sup>
	701165-02 <sup>3</sup>	Assy, Backguard, 9" <sup>3</sup>
	701263 <sup>3</sup>	Assy, Backguard, 24" <sup>3</sup>
9	83708	Screw, Trx Wfr HD, #8 x 1/2"
10	106376	Gasket, Cell, ER36G/GI
11	106434 <sup>2</sup>	Trim, Rear <sup>2</sup>

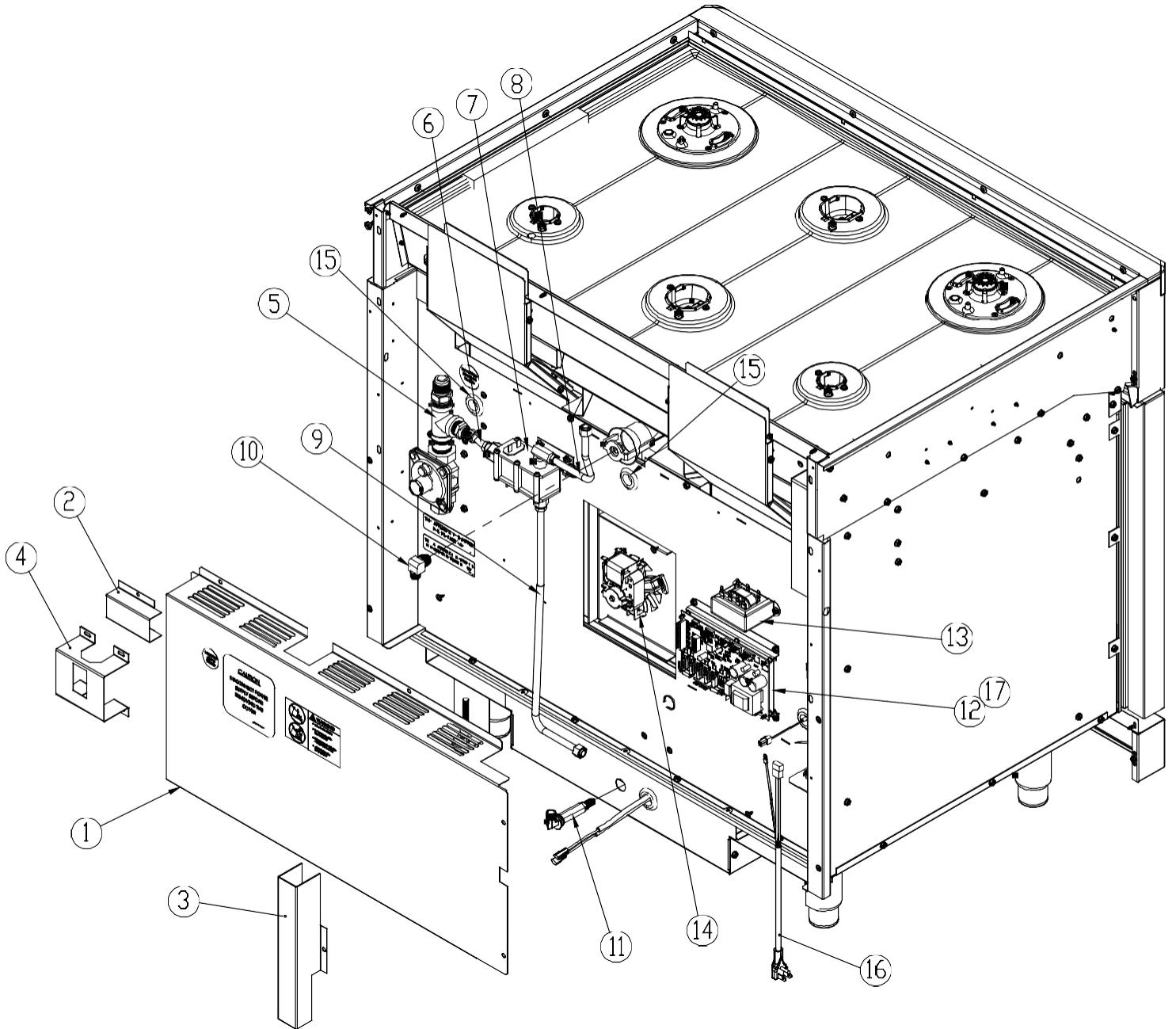
<sup>1</sup> Use for freestanding installations.

<sup>2</sup> Use for self-rimming installations.

<sup>3</sup> Not compatible with self-rimming installations.



# ER36G/GI Rear Assembly

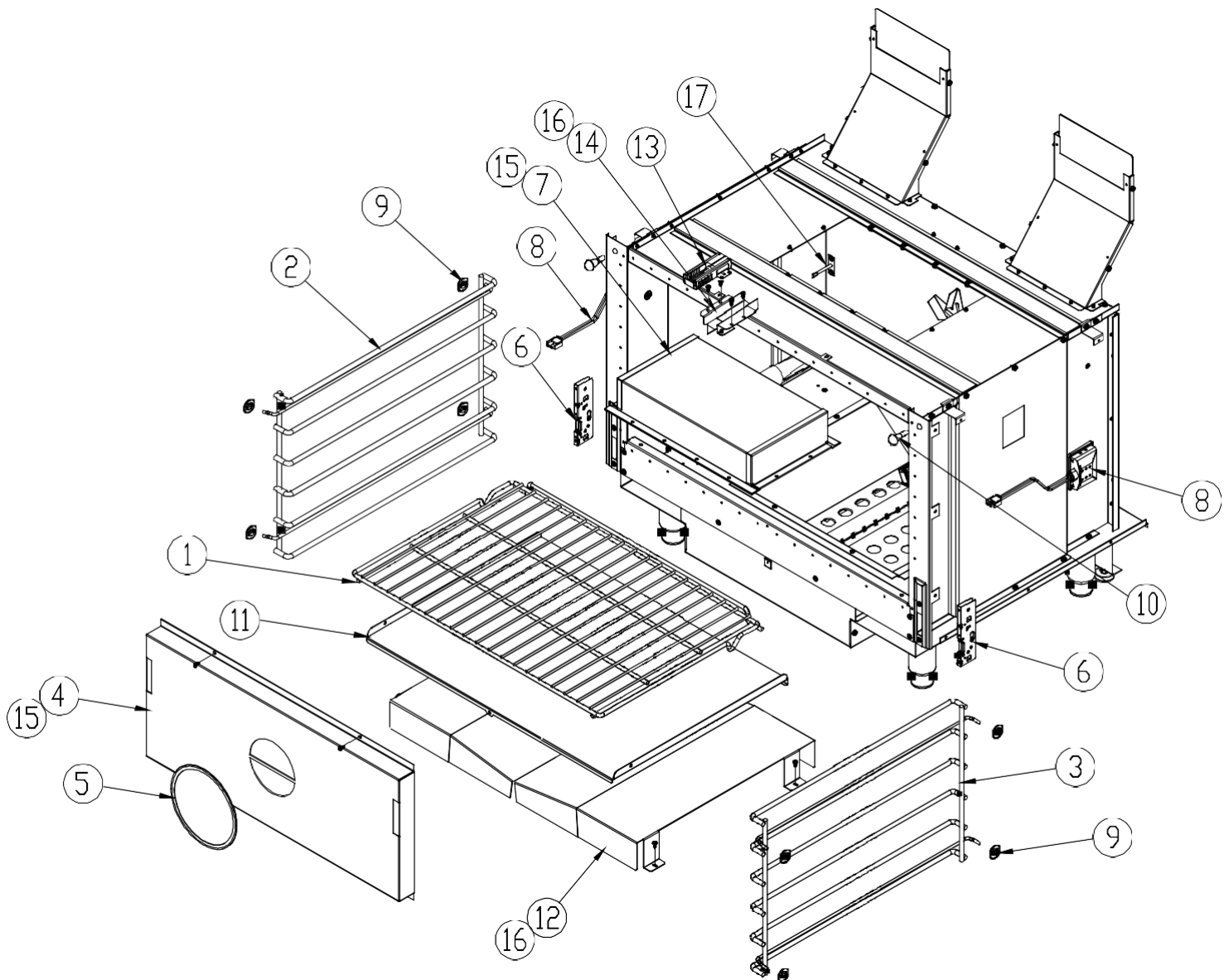


# ER36G/GI Rear Parts

Item	NG Part #	LP Part #	NGH Part #	LPH Part #	Description
1	106370	106370	106370	106370	Cover, Rear
2	106373	106373	106373	106373	Wire Cover, Light
3	106560	106560	106560	106560	Cover, Igniter Wire
4	103645	103645	103645	103645	Bracket, MTG, Regulator
5	103660-01	103660-02	103660-01	103660-02	Assy, Regulator
6	103663-01	103663-01	103663-01	103663-01	Flex Tube, Bake/Broil, 3"
7	103659	103659	103659	103659	Valve, Termal Dual
8	103663-02	103663-02	103663-02	103663-02	Flex Tube, Bake/Broil, 8"
9	103663-03	103663-03	103663-03	103663-03	Flex Tube, Bake/Broil, 20"
10	103556-01	103556-02	103556-03	103556-04	Assy, Jet, Broil Burner
11	700935-01	700935-02	700935-03	700935-04	Assy, Jet, Bake Burner
12	106169-02	106169-02	106169-02	106169-02	Board, Controller, ER36G/GI
13	62808	62808	62808	62808	Transformer Halogen Light
14	82647 <sup>1</sup>	82647 <sup>1</sup>	82647 <sup>1</sup>	82647 <sup>1</sup>	Convection Oven Motor Kit <sup>1</sup>
15	83058	83058	83058	83058	Grommet, EPDM Rubber
16	106162	106162	106162	106162	Power Cord
17	83538	83538	83538	83538	PCB Support, Nylon
-	106412	106412	106412	106412	Wire Harness, Main, 110 V (not shown)
-	106413	106413	106413	106413	Wire Harness, LED, 5 V (not shown)
-	106491	106491	106491	106491	Wire Harness, RTD (not shown)

<sup>1</sup>Kit # 82647 includes motor, flan blade, washer and nut. Can only be ordered as a set.

# ER36G/GI Cell Assembly



Item	Part #	Description	Item	Part #	Description
1	106420	Oven Rack, Standard	9	92391	Bushing, Support Rack
	701707	Oven Rack, GlideRack	10	83618	Rubber Bumper
2	106374-01	Support, Rack, Left	11	106372BP	Pan, Oven
3	106374-02	Support, Rack, Right	12	106529	Deflector, Air
4	106421BP	Baffle, Oven	13	82473 <sup>3</sup>	Hot Surface Igniter <sup>3</sup>
5	82891	Filter, Convection Oven	14	106342 <sup>3</sup>	Bracket, Igniter, Broil <sup>3</sup>
6	72348 <sup>1</sup>	Hinge Receptacle Kit <sup>1</sup>	15	83619	Screw, Wfr HD, #8 x 3/8"
7	103555	Burner, Broil	16	83505 <sup>3</sup>	Screw, Phil Pan HD, #8 x 3/8" <sup>3</sup>
8	92398 <sup>2</sup>	Assy, Light, Halogen, 20W <sup>2</sup>	17	72752	Temperature Sensor

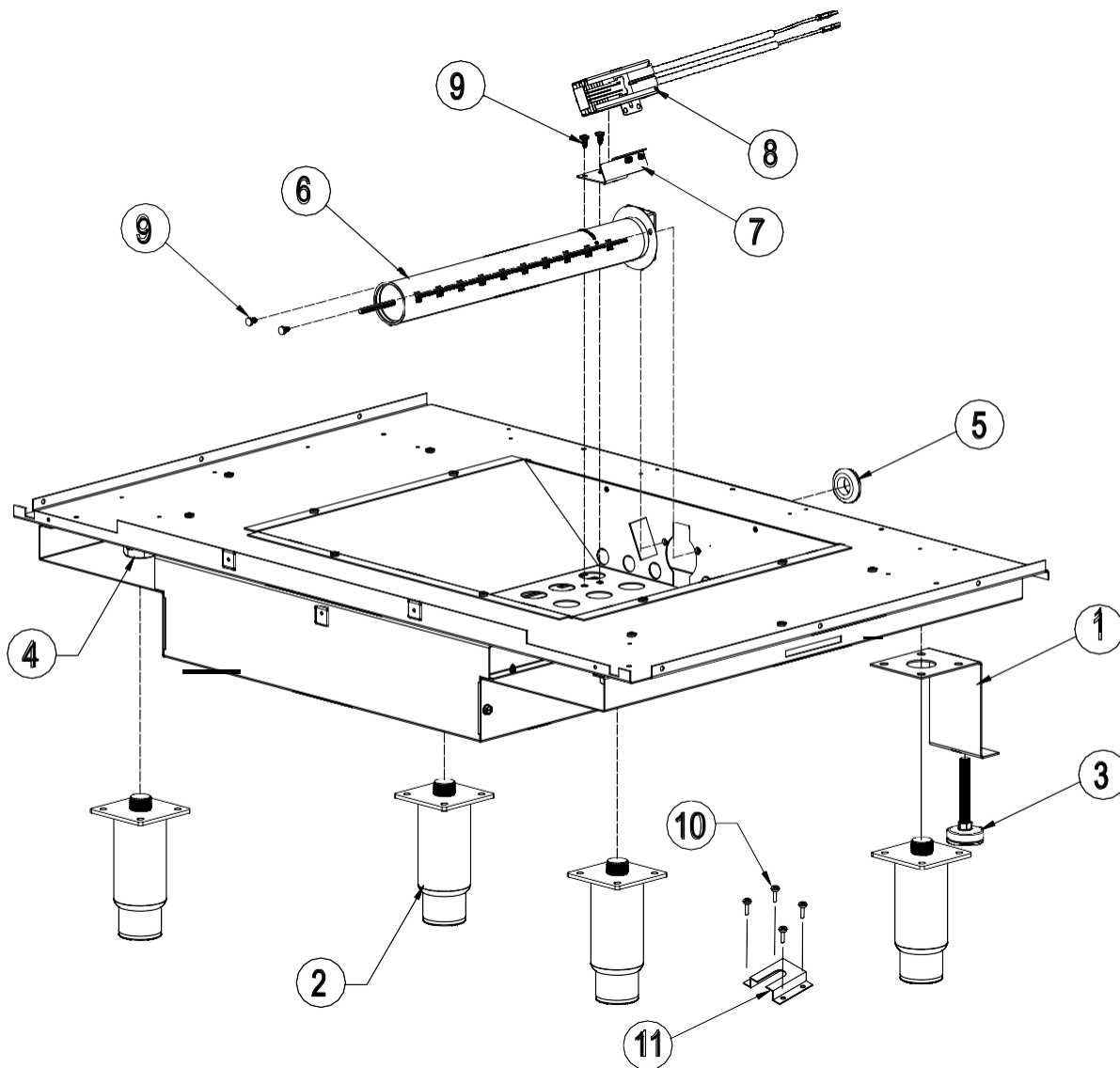
<sup>1</sup> Kit # 701084 includes 2 hinge receptacles. Screw (83420) and washer (83432) must be ordered separately.

<sup>2</sup> Order P/N 100429 (Bulb, 20W) to replace bulb only.

<sup>3</sup> Order as kit # 701143. Includes igniter, bracket and 2 screws.



# ER36G/GI Base Assembly



Item	Part #	Description
1	27274	Assy, Bracket, Anti-Tip
2	700000	Leg, 1/2" ****PLASTIC INSERT, LEG 66813*****
3	106440	Leveler, Adjustable
4	100730	Nut, Hex, Jam, #3/4-10
5	83058	Grommet, 1.31 OD x .69 ID x .38
6	103558	Bake Burner
7	103643 <sup>1</sup>	Bracket, Igniter, Bake <sup>1</sup>
8	82473 <sup>1</sup>	Hot Surface Igniter <sup>1</sup>
9	83505 <sup>1</sup>	Screw, Phil Pan HD, #8 x 3/8" <sup>1</sup>
10	83054	Screw, Phil, Pan Head, 6-32
11	26041	Bracket, Anti-Tip

<sup>1</sup> Order as kit # 700927. Includes igniter, bracket and 2 screws.