



The Life of the Kitchen.®

A faded background image of a kitchen featuring a white Dacor range with a white bowl on the stovetop. The range is set on a wooden countertop with various kitchen items like a fruit basket and a coffee maker visible in the background.

PARTS CATALOG

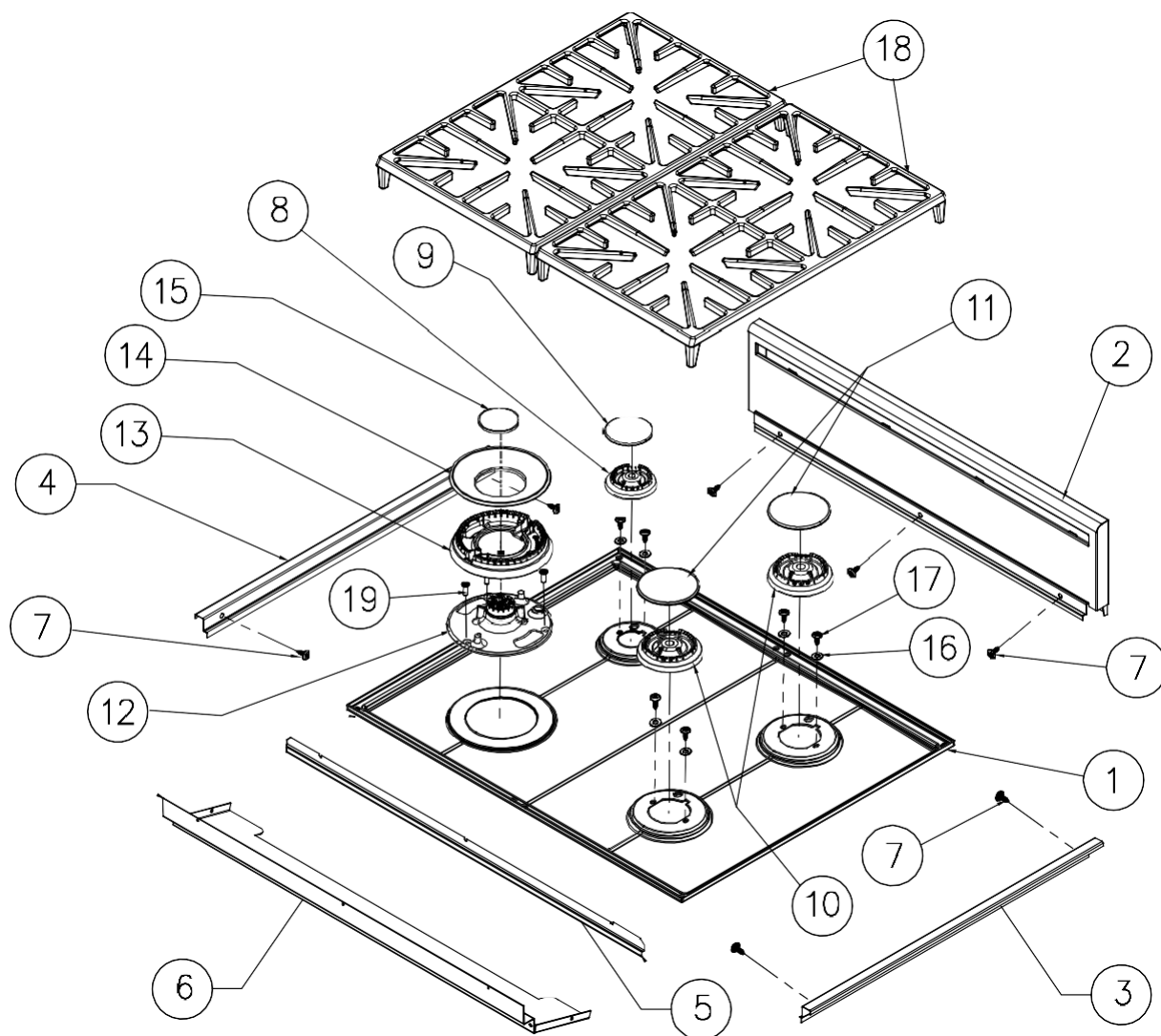
ER30G, ER30GI Range

Page #	Description
2	Grates and Trims
3	Burners and Tubes
4	Control Panel Assembly
5	Manifold Assembly
6	Oven Cell Assembly
7	Door Assembly
8	Base Assembly
9	Outer Assembly
10	Outer Assembly Parts

IMPORTANT: This model is not approved for field conversions from one gas type to another and from one altitude setting to another.

Revised 07-08-2014

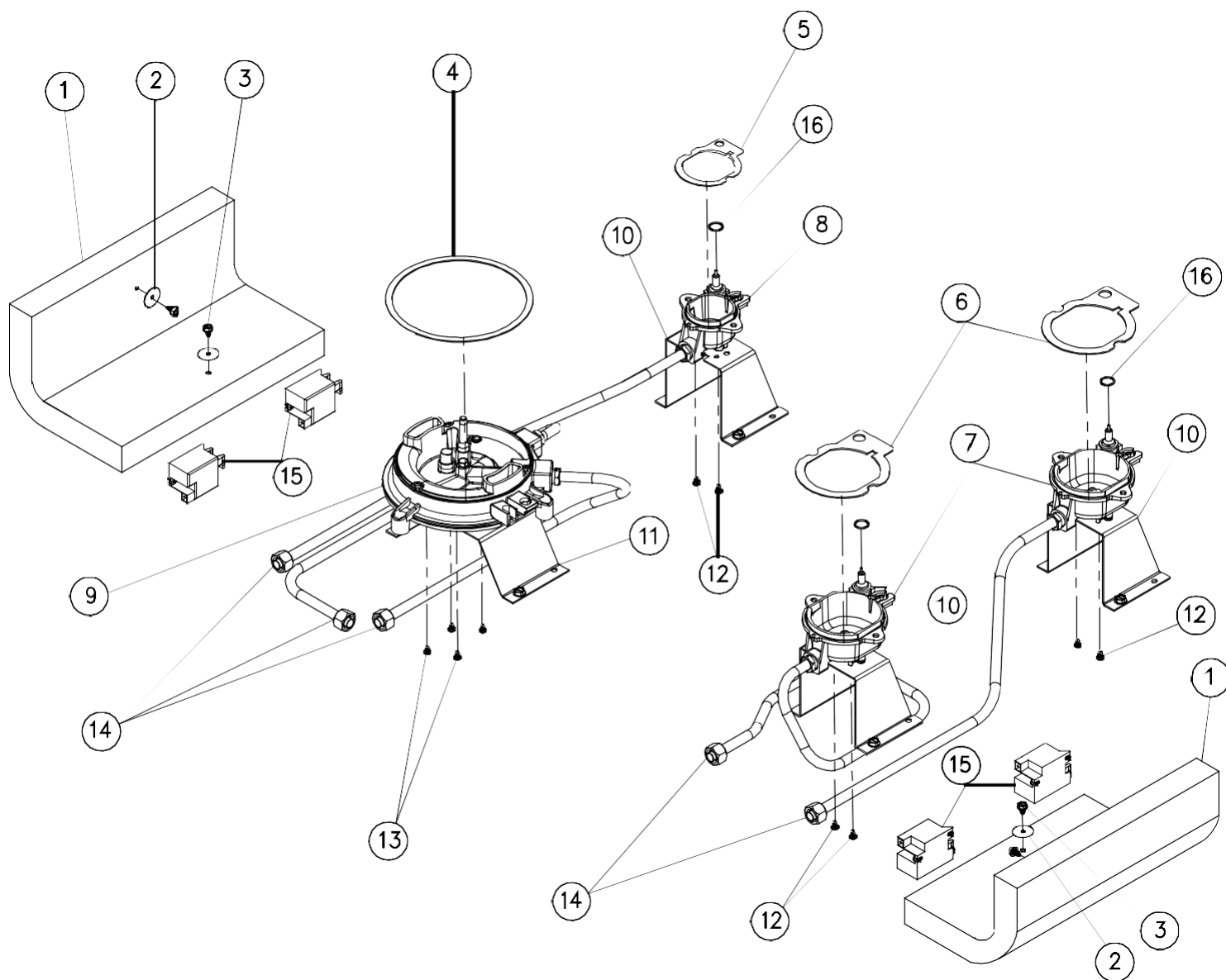
ER30G[I] Range Grates and Trims



Item	ER30G Part#	ER30GI Part#	Description
1	102596BP	102596BP	Spill Tray, Black Porcelain
2	N/A	701170	Assy, Backguard, Low Prof.
	700807-01	N/A	Assy, Backguard, 6"
	700807-02	N/A	Assy, Backguard, 3"
	700807-03	N/A	Assy, Backguard, 9"
3	102605-02	106382-02	Trim, Top, Side, RH
4	102605-01	106382-01	Trim, Top, Side, LH
5	100973	100973	Trim, Spill Tray, Front
6	N/A	N/A	Channel, Support, Front
7	83263	83263	Screw, Phil, #8 x 3/8"
8	102594	102594	Ring, Burner, 9.5k

Item	ER30G Part#	ER30GI Part#	Description
9	102593	102593	Cap, Burner, 9.5k
10	102591	102591	Ring, Burner, 15k
11	102590	102590	Cap, Burner, 15k
12	102587	102587	Ring, Burner, Inner, 18k
13	102588	102588	Ring, Burner, Outer, 18k
14	102586	102586	Cap, Burner, Outer, 18k
15	102585	102585	Cap, Burner, Inner, 18k
16	83272	83272	Flat Washer, #8, SS
17	103696	103696	Screw, M4 x 8 mm lg
18	101524	101524	Grate, 14" x 23"
19	103755	103755	Screw, M4 X 12 mm Lg

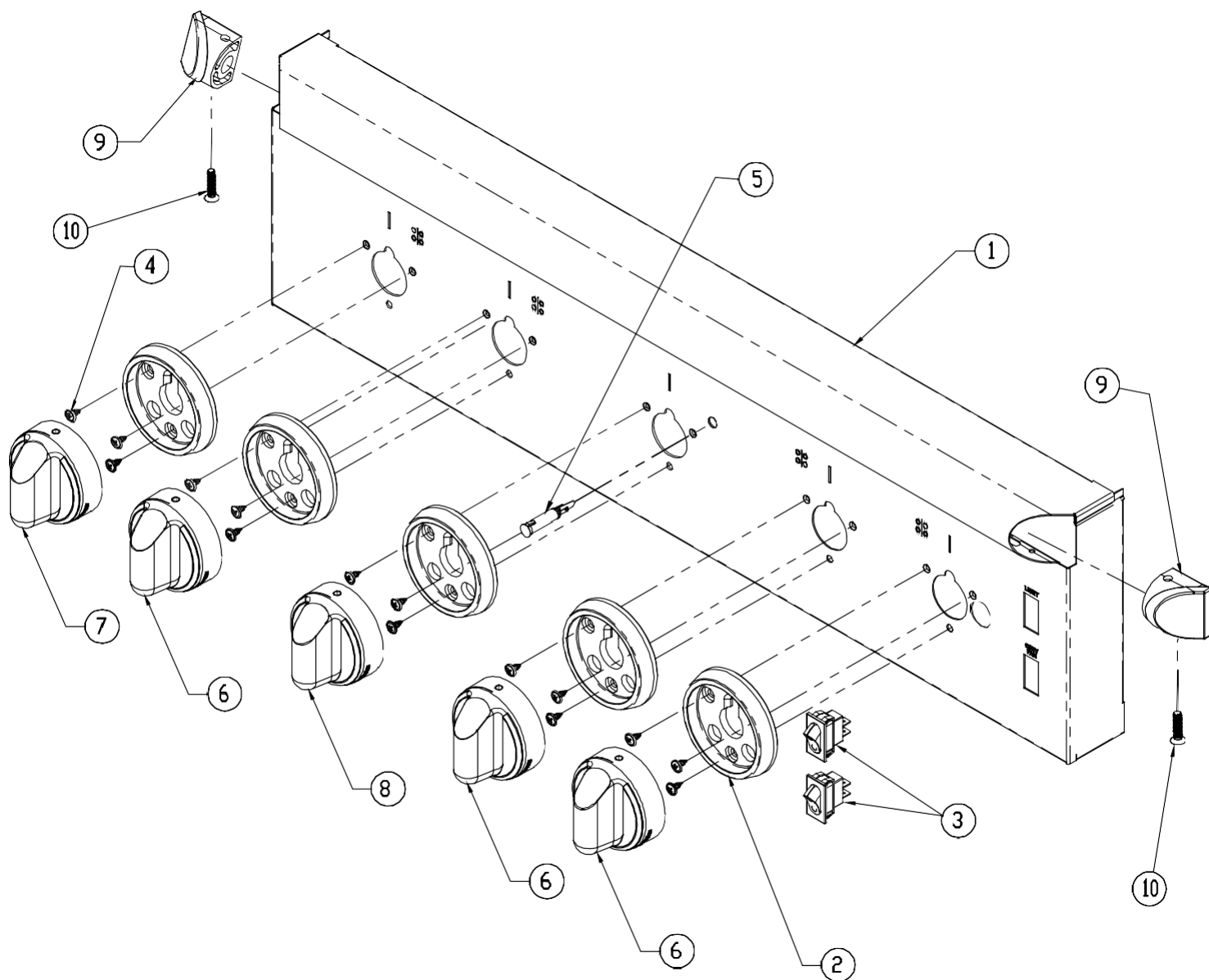
ER30G[I] Range Burners and Tubes



Item	Part #	Description
1	100910	Insulation, Single Point
2	83533	Washer, .88OD x .165ID x .03, SS
3	83023	Screw, Slot HWH, #10 x 3/8"
4	103553	Gasket, Burner, Dual, 18k
5	103551	Gasket, Burner, 9.5K
6	103552	Gasket, Burner, 15K
7	102592-01	Assy, Inject Holder, 15k, NG
	102592-02	Assy, Inject Holder, 15k, LP
8	102595-01	Assy, Inject Holder, 9.5k, NG
	102595-02	Assy, Inject Holder, 9.5k, LP

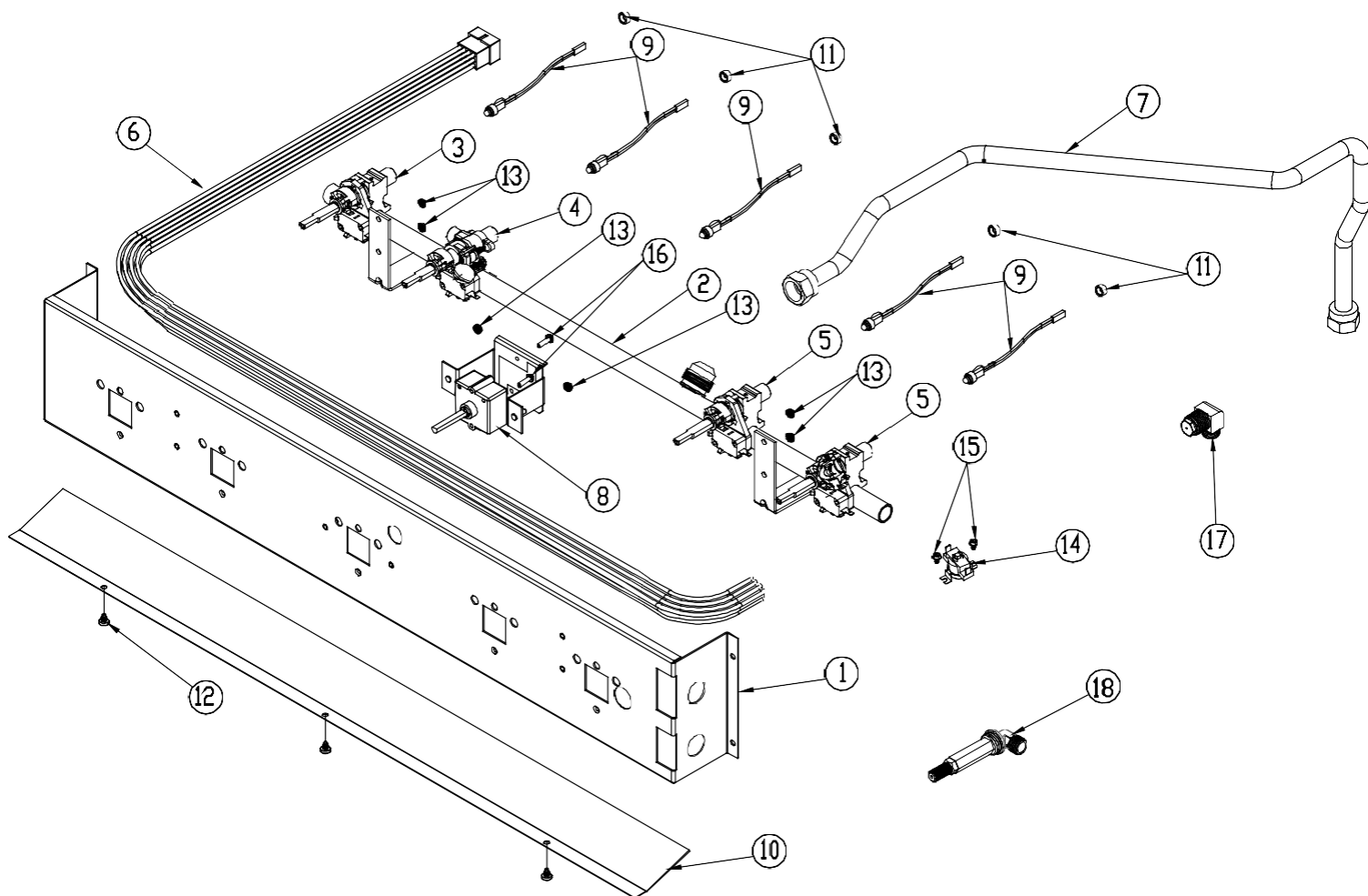
Item	Part #	Description
9	102589-01	Assy, Inject Holder, 18k, NG
	102589-02	Assy, Inject Holder, 18k, LP
10	N/A	Support, Burner Base
11	N/A	Support, Burner Base, 18k
12	103695	Screw, Phil, #6-32 x 1/4"
13	103696	Screw, M4 x 8mm
14	103666	Flex Tube, Cooktop, 5/16, 18"
15	72634	Re-Ignition Module, Single Point
16	103554	"O" Ring, Igniter
-	103763	Igniter Wire Set (not shown)

ER30G[I] Range Control Panel Assembly



Item	Part #	Description
1	701064	Control Panel, Service
2	100122BC/BR/CH/CP	Trim Ring
3	92407	Oven Light Switch, Blue
4	83709	Screw, Trx Wfr Hd, #8 x 1/2"
5	103690	Oven Indicator Light
6	100127-04	Knob, Illuminated, Black
	105374-04	Knob, Illuminated, Metallic
7	100127-05	Knob, Illuminated, Black
	105374-06	Knob, Illuminated, Metallic
8	100127-06	Knob, Illuminated, Black
	105374-06	Knob, Illuminated, Metallic
9	100128BC/BR/CH/CP	End Cap
10	101505	Screw, #4-40 x 1/2", MS SS

ER30G[I] Range Manifold Assembly

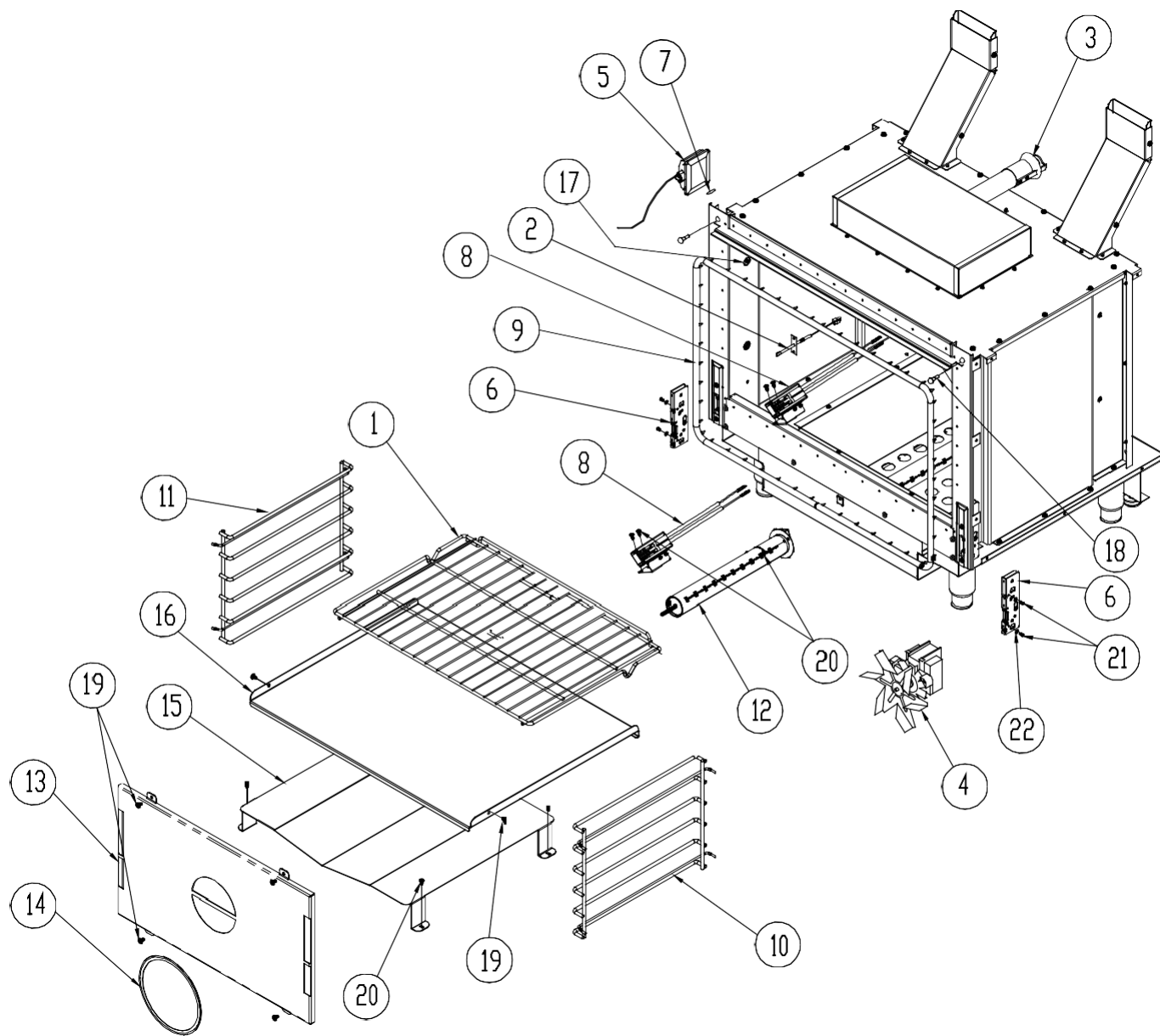


Item	Part # /NG	Part # /LP	Part # NG/H	Part # LP/H	Description
1	N/A	N/A	N/A	N/A	Assy, Sub-Panel w/ Studs
2	700803-01	700803-02	700803-03	700803-04	Assy, Manifold w/ Valves
3	103688-01	103688-03	103688-05	103688-03	Valve, Single, Alum.
4	103689-01	103689-02	103689-03	103689-04	Valve, Dual, Brass
5	103688-02	103688-04	103688-06	103688-04	Valve, Single, Alum.
6	103698-02	103698-02	103698-02	103698-02	Wire Harness, Cooktop
7	102063	102063	102063	102063	Main Manifold Flex Tubing
8	103564	103564	103564	103564	Control, Oven Temp. Selector
9	701618*	701618*	701618*	701618*	LED Kit*
10	N/A	N/A	N/A	N/A	Deflector
11	103757	103757	103757	103757	Retaining Ring, LED
12	83001	83001	83001	83001	Screw, Phil Pan, #8 x 1/4"
13	83308	83308	83308	83308	Nut, Keps, #6-32
14	82987	82987	82987	82987	Thermal Switch
15	83023	83023	83023	83023	Screw, Slot HWH, #10 x 3/8"
16	83336	83336	83336	83336	Screw, Phil Pan, #8-32 x 1/2"
17	103556-01	103556-02	103556-03	103556-04	Jet Assy, Broil Burner
18	700935-01	700935-02	700935-03	700935-04	Jet Assy, Bake Burner

* Includes complete set of LEDs and lenses. Replace all 5 to make sure they match in brightness.



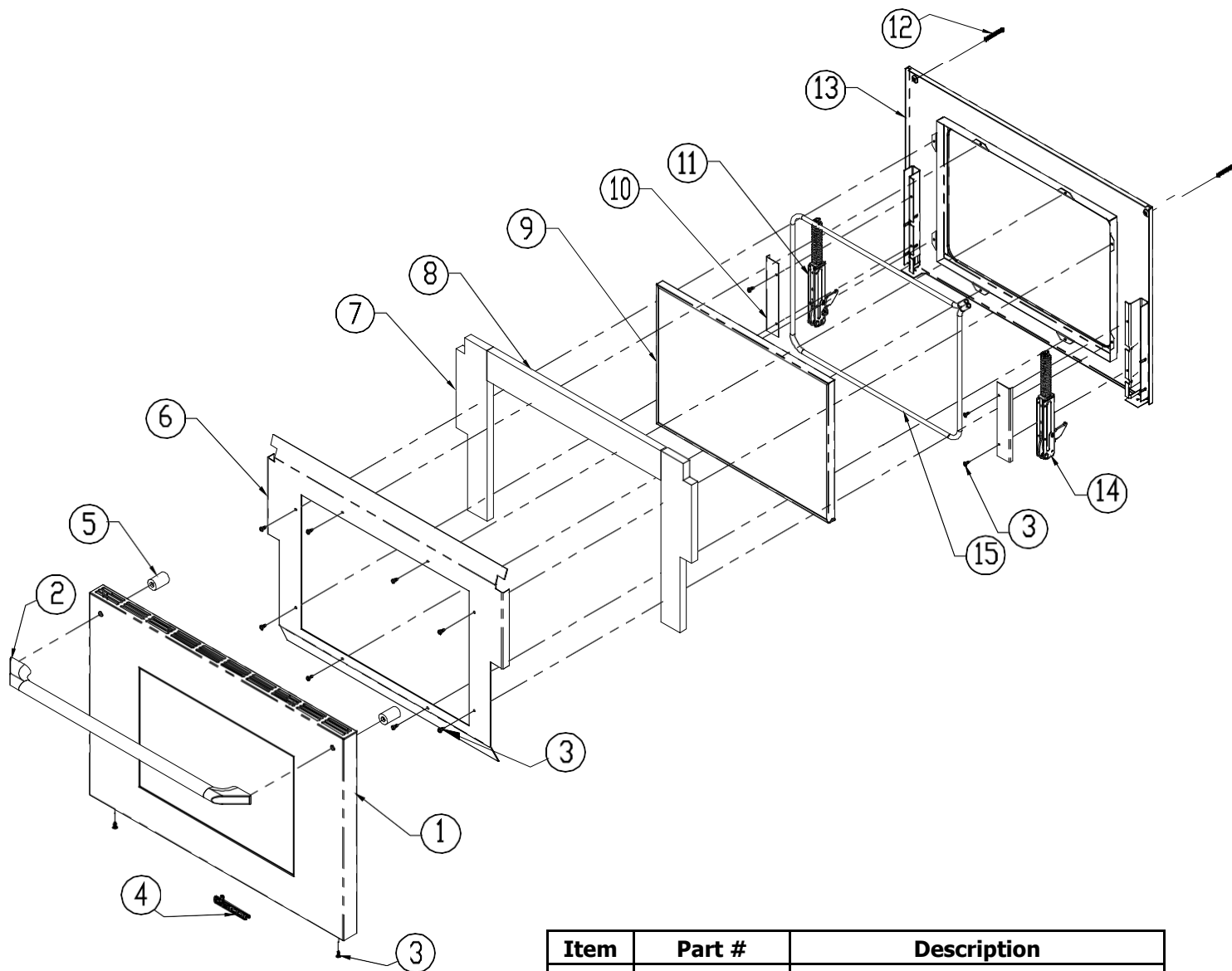
ER30G[I] Range Cell Assembly



Item	Part #	Description
1	82230	Oven Rack, Standard
	701929	Oven Rack, GlideRack™
2	72752	Temperature Sensor
3	103555	Broil, Burner
4	82647	Convection Oven Motor
5	92398	Assy, Light, Halogen, 20W
6	72348	Receptacle, Hinge
7	100429	Bulb, Halogen, 20w
8	82473	Hot Surface Igniter
9	103563	Gasket, Cell
10	103662-02	Support, Rack, RH

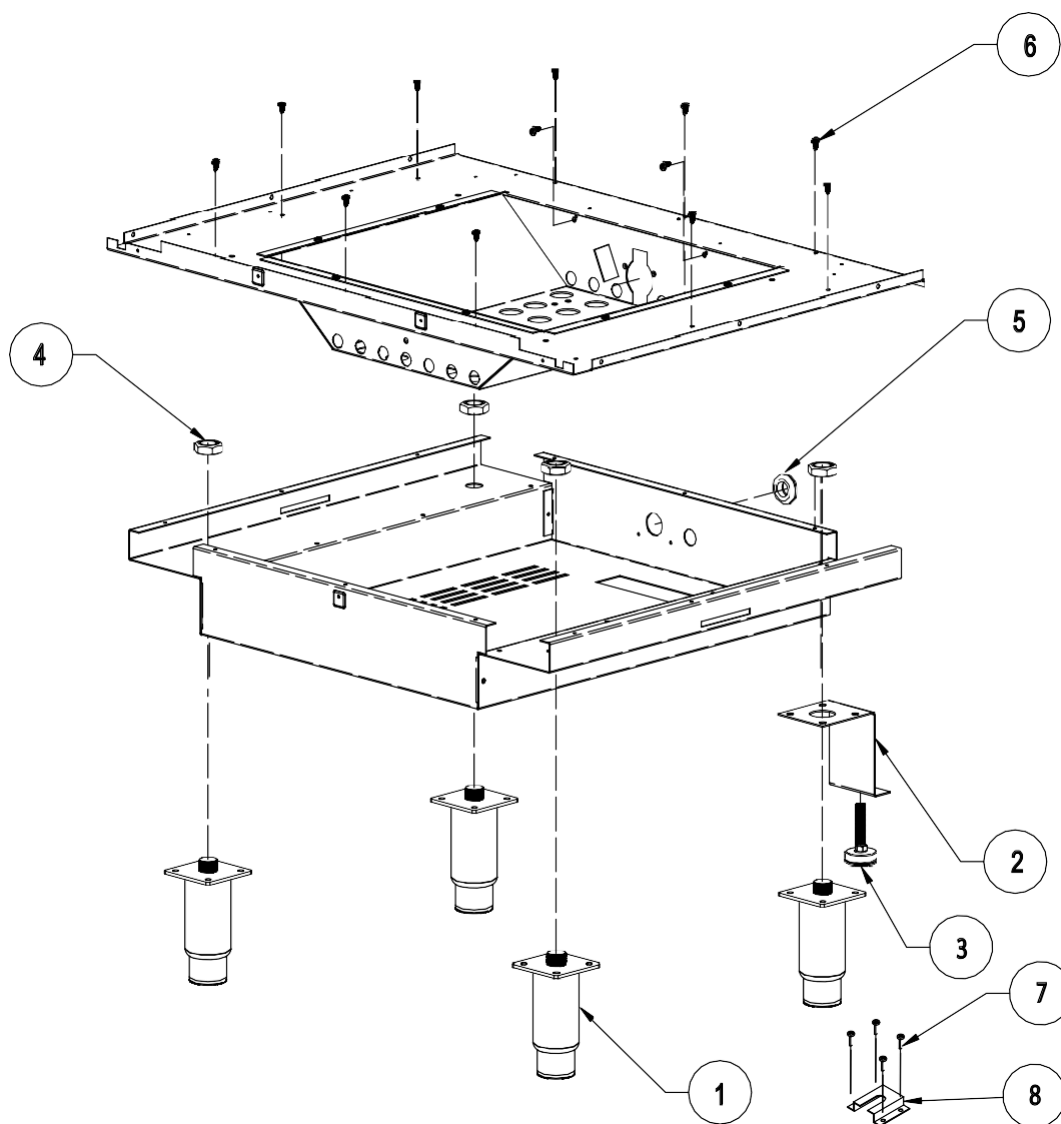
Item	Part #	Description
11	103662-01	Support, Rack, LH
12	103558	Burner, Bake, Straight
13	106163BP	Convection Baffle
14	82891	Filter, Convection
15	103652	Deflector, Heat
16	103653BP	Pan, Oven
17	92391	Bushing, Support Rack
18	83618	Rubber Bumper
19	83619	Screw, Wfr Hd, #8 x 3/8", SS
20	83505	Screw, Phil Pan, #8 x 3/8"
21	83420	Screw, Btn. Hd, #10-32 x .500"
22	83432	Washer, Flat, .201ID x .375OD x .062

ER30G[I] Range Door Assembly



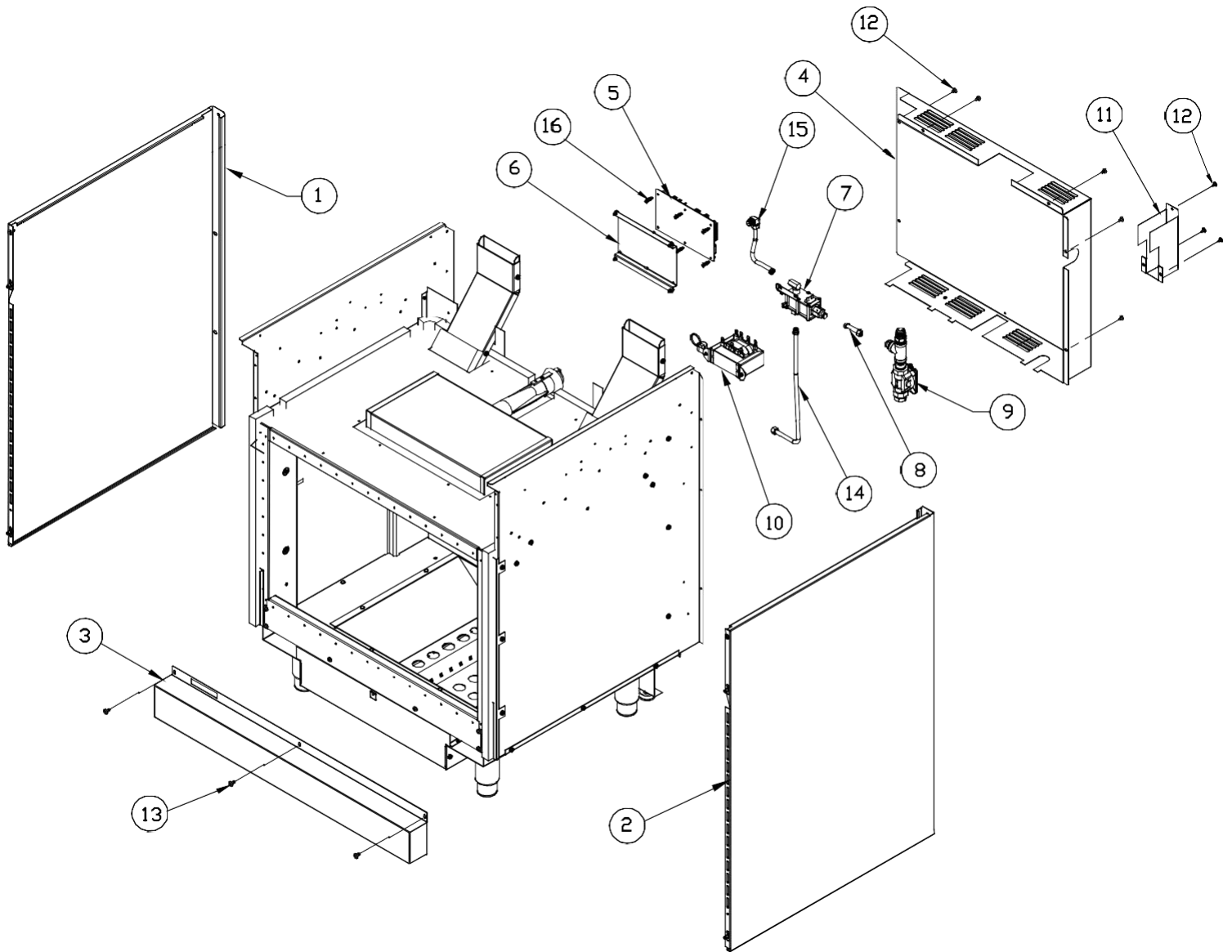
Item	Part #	Description
1	700808	Assy, Skin, Door
2	700050	Assy, Handle, Large Door
3	83709	Screw, Washer HD, #8 x 1/2"
4	72511CH	Dacor Logo
5	72793	Spacer, Door Liner
6	102615B	Heat Shield
7	103766	Insulation, Door Side
8	102607	Insulation, Door Top
9	72967	Window Pack
10	N/A	Hinge Mounting Cover Bracket
11	100693	Door Hinge, LH
12	100026	Screw, Torx Pan HD, #10-32 x 2"
13	700809BP	Weld, Door Liner
14	100694	Door Hinge, RH
15	100157	Window Pack, Gasket

ER30G[I] Range Base Assembly



Item	Part #	Description
1	700000	Leg, New ***PLASTIC LEG INSERT 66813***
2	27274	Assy, Bracket, Anti-Tip
3	106440	Leveler, Adjustable
4	100730	Nut, Jam, Hex, #3/4-10
5	83058	Grommet, 1.31 OD x .69 ID x .38
6	83505	Screw, Type A, #8 x 3/8"
7	83054	Screw, Phil, Pan Head, 6-32
8	26041	Bracket, Anti-Tip

ER30G[I] Range Outer Assembly



ER30G[I] Range Outer Assembly Parts

Item	Part #	Description
1	103656-01	Panel, Side, LH, ER30G
	106383-01	Panel, Side, LH, ER30GI
2	103656-02	Panel, Side, RH, ER30G
	106383-02	Panel, Side, RH, ER30GI
3	700932	Assy, Kick Panel
4	106380 ¹	Rear, Cover ¹
5	See note ³	Controller Service Kit ³
6	N/A	Bracket, Controller Board
7	103659	Thermal Dual Valve
8	103663-01	Flex Tube, Bake/Broil, 3"
9	103660-01	Assy, Regulator, NG
	103660-02	Assy, Regulator, LP

Item	Part #	Description
10	62808	Halogen Light Transformer
11	106381 ²	Igniter Wire Cover ²
12	83263	Screw, Phil Wafer, #8 x 3/8"
13	83708	Screw, Trx Wfr Hd, #8 x 1/2"
14	103663-03	Flex Tube, Bake/Broil, 19"
15	103663-02	Flex Tube, Bake/Broil, 8"
16	83538	PCB Support, Nylon
-	106491	Wiring Harness, RTD (not shown)
-	106628	Wiring Harness, Main (not shown)
-	103698-02	Wiring Harness, Cooktop (not shown)
-	106618	Wiring Harness, LED/Oven Crtl. (not shown)

¹Use part number 102612 for Rev. A models.

²Use part number 103694 for Rev. A models.

³There are two versions of the controller kit:

Use controller kit # 701275 on models:

ER30GSCH/LP (Rev. A and B)
ER30GSCH/LP/H (Rev. A)
ER30GSCH/NG (Rev. A and B)
ER30GSCH/NG/H (Rev. A)
ER30GISCH/LP (Rev. A and B)
ER30GISCH/LP/H (Rev. A and B)
ER30GISCH/NG (Rev. A and B)
ER30GISCH/NG/H (Rev. A and B)

Use controller kit #106169-01 on models:

ER30GSCH/LP (Rev. C and above)
ER30GSCH/LP/H (Rev. B and above)
ER30GSCH/NG (Rev. C and above)
ER30GSCH/NG/H (Rev. B and above)
ER30GISCH/LP (Rev. C and above)
ER30GISCH/LP/H (Rev. C and above)
ER30GISCH/NG (Rev. C and above)
ER30GISCH/NG/H (Rev. C and above)