

The Dacor logo is rendered in a bold, italicized, sans-serif font with a metallic, 3D effect. The letters are dark with a lighter, reflective highlight on the top and left sides, giving it a sleek, modern appearance. A registered trademark symbol (®) is located at the end of the word.

dacor®

The Life of the Kitchen.®

A faded background image of a Dacor outdoor grill. The grill is stainless steel with a control panel on the left side and a side burner on the right. It is set on a wooden deck. Various kitchen items like a bowl of fruit and a coffee maker are visible on the counter in front of it.

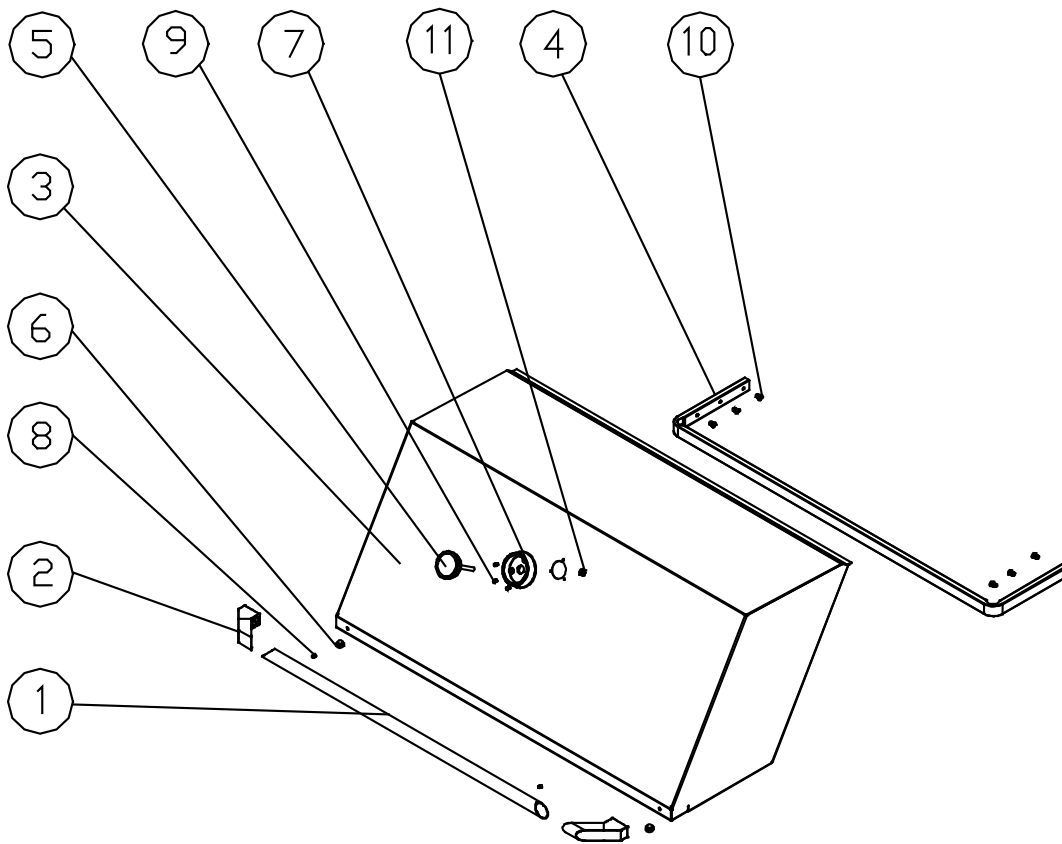
PARTS CATALOG

EOG52 Outdoor Grill

Page #	Description
2	Canopy Assembly
3	Chassis Assembly
4	Firebox Components
5	Control Panel Assembly
6	Side Burner Assembly

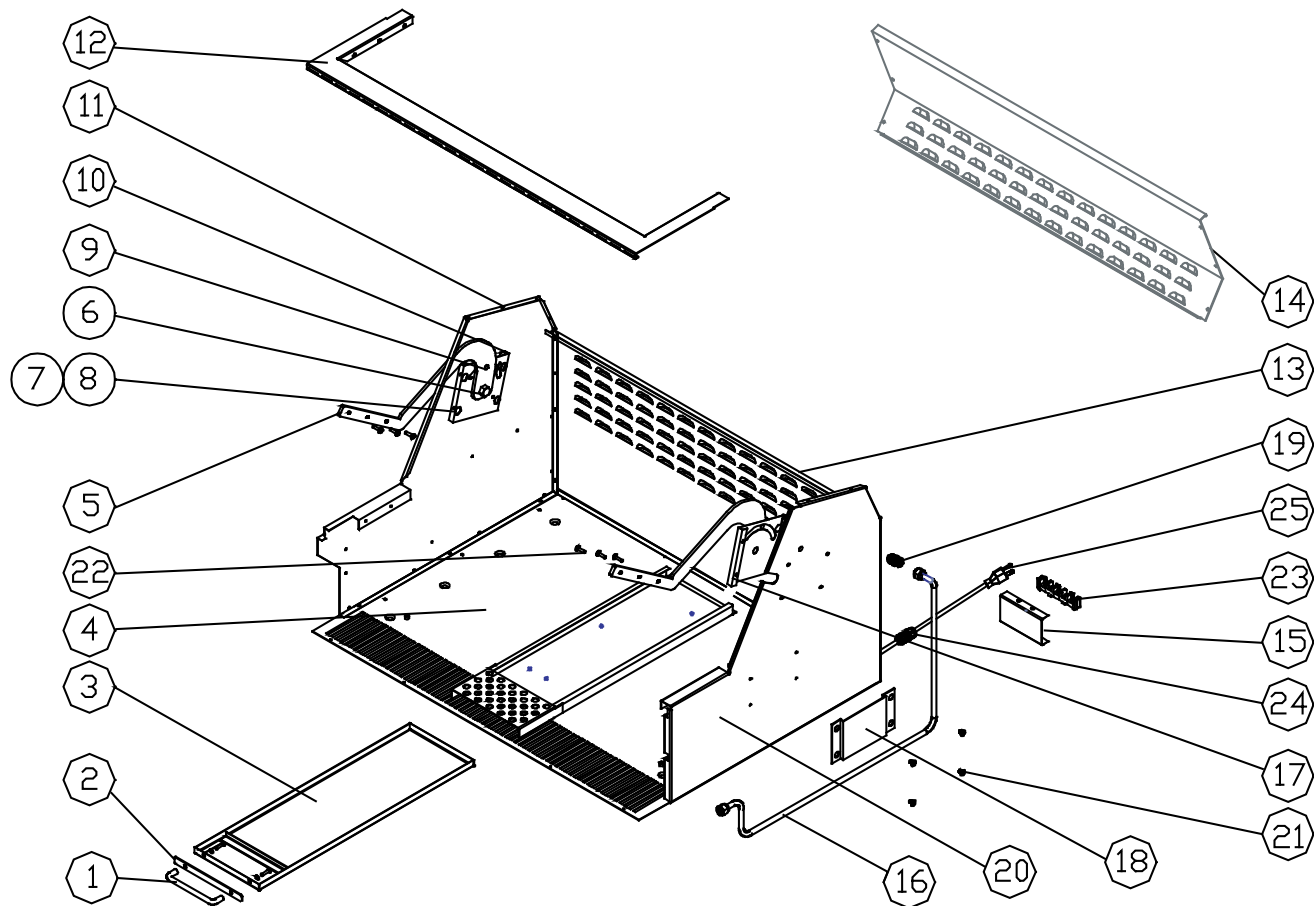
Revised 10-25-2012

EOG52 Outdoor Grill Canopy Assembly



Item	Part #	Description
1	72175	HANDLE, CANOPY
2	72178	END CAP, HANDLE
3	27730	CANOPY
4	38351	CANOPY FRAME
5	72686	TEMPERATURE GAUGE
6	72165	RUBBER BUMPER
7	72184	TEMP GAUGE TRIM RING
8	83480	SCREW, FLAT HEAD, #4-40 x 1/4
9	83571	SCREW, WASHER HEAD, #8 x 3/8
10	83479	SCREW, TRUSS HEAD, #8-32 x 3/8
11	83473	LOCK NUT 1/4 NPT SS
12	83663	TEMP GAUGE WASHER (not shown)

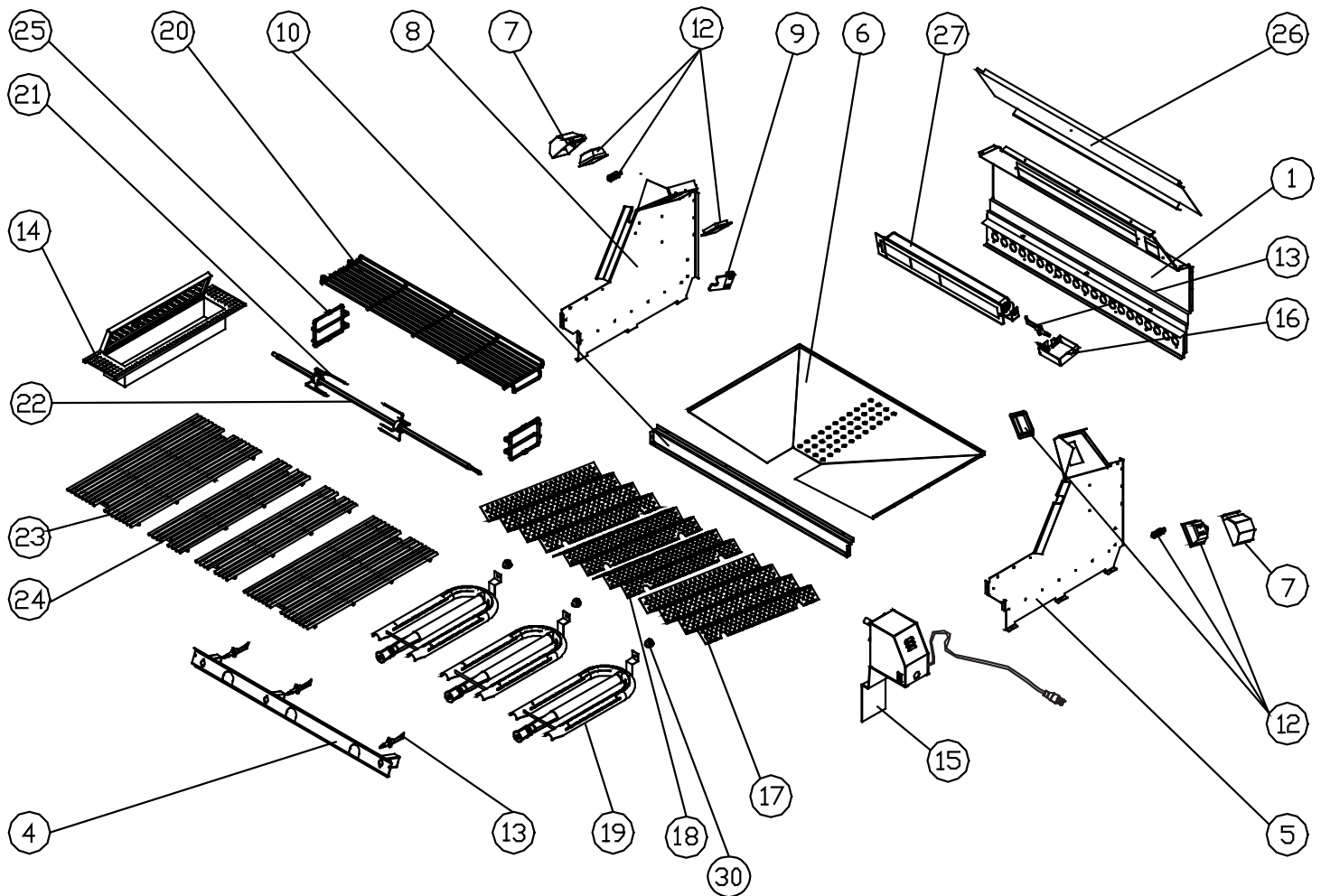
EOG52 Outdoor Grill Chassis Assembly



Item	Part #	Description
1	72360	HANDLE, GREASE TRAY (includes 2 screws)
2	36626	GREASE TRAY FACIA
3	27732	GREASE TRAY EDGE
4	27627	CHASSIS BOTTOM
5	72158	CANOPY ARM
6	83459	HINGE PIVOT, 3/8 - 16
7	83009	NUT, KEPS, #10 - 24
8	83465	SELF-CLINCH #10-24 x 3/8
9	83462	SHOULDER BOLT, HINGE GUIDE
10	36674	HINGE BRACKET, LH
11	36549	CHASSIS SIDE, LH
12	36627	FRONT TRIM, 36"
13	36637	CHASSIS REAR, 36"
14	36808	SERVICE PANEL, CHASSIS RR

Item	Part #	Description
15	36365	BRACKET, TERM BLOCK
16	72179	INFRARED GAS TUBING, 3/8
17	36674	HINGE BRACKET, RH
18	36675	ROTIS POCKET
19	72388NGSL	BROIL JET ASSY. NG SL
	2388NGHA	BROIL JET ASSY. NG SL
	72388LPSL	BROIL JET ASSY. NG SL
	72388LPHA	BROIL JET ASSY. NG SL
20	36810	CHASSIS SIDE, RH
21	83619	SCREW TRUSS SS
22	102365	SCREW PHIL. TRUSS, #8-32
23	82151	TERMINAL BLOCK
24	83472	STRAIN RELIEF
25	72265	POWER CORD

EOG52 Outdoor Grill Firebox Components



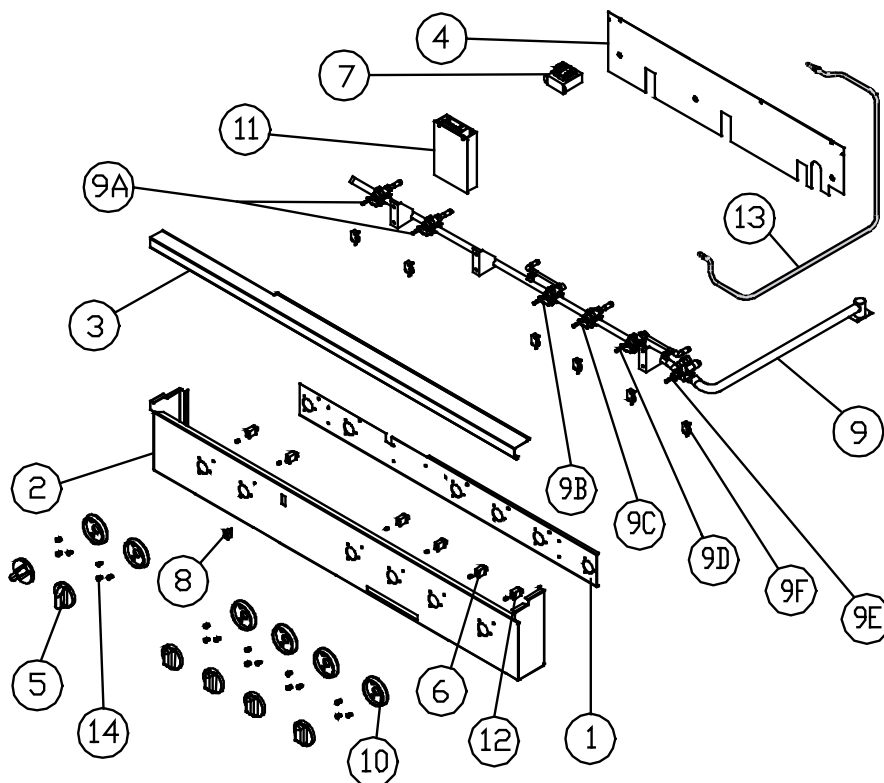
Item	Part #	Description
1	27735	FIREBOX BACK
4	27794	IGNITOR SUPPORT
5	36630	FIREBOX SIDE RIGHT
6	27915	FIREBOX BOTTOM
7	36676	FIREBOX LAMP HOUSING
8	36650	FIREBOX SIDE, LEFT
9	36657	ROTIS SPIT BRACKET
10	100669	FRONT FRAME FIREBOX
12	62175 ¹	LIGHT ASSEMBLY ¹
13	72164	SPARK ELECTRODE
14	27738	SMOKER TRAY
15	13532 ²	ROTIS MOTOR ASSEMBLY ²
16	27652	IR BROILER IGNITER BOX

¹Includes the lens and light bulb. To order lens separately, order PN 92376. To order light bulb separately, order PN 86573.

Item	Part #	Description
17	36628	FLAME SPREADER, LARGE
18	36661	FLAME SPREADER, SMALL
19	72153	U-BURNER, BBQ GRILL
20	72159	WARMING RACK
21	AGFS	SPIT ROD FORK, 36"
22	72362	SPIT ROD, 36"
23	72157	GRILL, SS, 11"
24	72177	GRILL, 5 1/2", SS
25	72185	WARMING RACK SUPPORT
26	36629BP	FIREBOX TOP, PORCELAIN
27	72172	IR BROILER
29	72265	POWER CORD (not shown)
30	83287	ACORN NUT 8-32

²Order PN 13652 for natural gas units Rev E and higher, and for LP gas units Rev D and higher.

EOG52 Control Panel Assembly



Item	Part #	Description
1	13541	CONTROL SUB-PANEL
2	27746E	CONTROL PANEL
3	27746E	LANDING LEDGE
4	36625	CONTROL PLENUM
5	62021B	KNOB
6	82086	INDICATOR LIGHT WITH LENS
7	62057 ¹	TRANSFORMER ¹
8	92407	LIGHT SWITCH
9	72174xxxx ²	MANIFOLD, COMPLETE ²
9A	66573xxxx ²	SIDE BURNER VALVE ²
9B	66565xxxx ²	LEFT GRILL BURNER VALVE ²
9C	66561xxxx ²	CENTER GRILL BURNER VALVE ²
9D	66569xxxx ²	RIGHT GRILL BURNER VALVE ²
9E	66557xxxx ²	SAFETY VALVE ²
9F	86425	SPACER MICROSWITCH

Item	Part #	Description
10	100122CH	TRIM RING
11	86528	SPARK MODULE
12	82343	IND. LITE, RED, NEON, W/L
13	72176	THERMOCOUPLE
14	83263	SCREW, WAFER HEAD, SST
15	72382 ³	WIRING HARNESS (not shown) ³
16	66323	4 AMP FUSE (not shown)
17	66324	FUSE HOLDER (not shown)
18	72596	REGULATOR NG/SL 4"WC (not shown)
	72310	REGULATOR LP/SL 11"WC (not shown)
19	72511CH	4 1/2 " DACOR LOGO
20	106832	IGNITER WIRE SET (not shown)

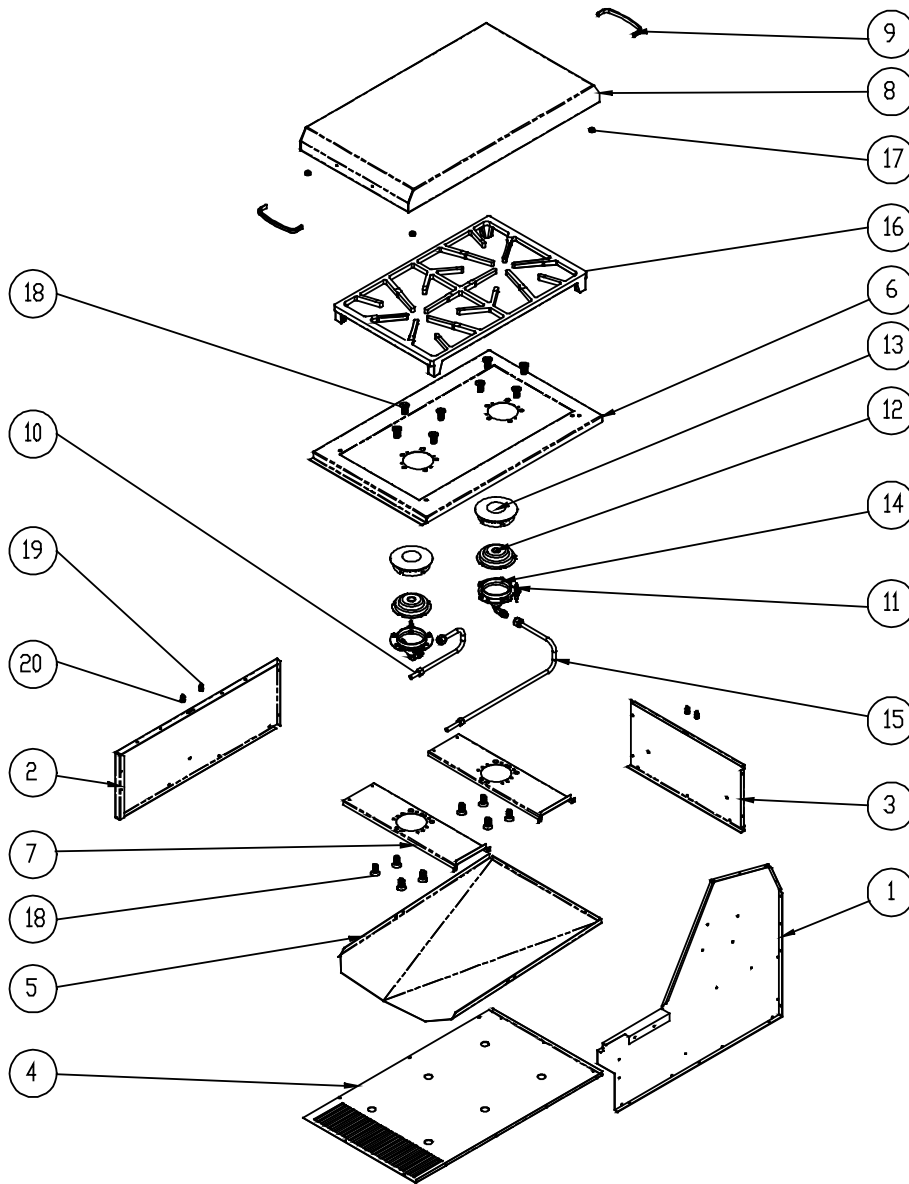
¹Order PN 62808 for natural gas units Rev G and higher, and for LP gas units Rev F and higher.

²Last 4 characters of part number (xxxx) define gas type and altitude:

LPSL = LP gas, sea level (rose)
 LPHA = LP gas, high altitude (red)
 NGSL = Natural gas, sea level (yellow)
 NGH A = Natural gas, high altitude (blue)

³Order PN 92109 for natural gas units Rev G and higher, and for LP gas units Rev F and higher.

EOG52 Side Burner Assembly



Item	Part #	Description
1	36549	CHASSIS SIDE, LEFT
2	36696	CASE SIDE, LEFT
3	36695	CASE SIDE, RIGHT
4	38276	CHASSIS BOTTOM, 52"
5	36698	WATER DEFLECTOR
6	36697	SPILL TRAY
7	36699	SIDE BURNER SUPPORT
8	27637	COVER, SIDE BURNER
9	72360	HANDLE
10	72384	3/8 TUBE, FRONT

Item	Part #	Description
11	72386	SIDE BURNER IGNITER
12	72232	BURNER HEAD
13	72231	BURNER CAP
14	72649xxxx ¹	BURNER BASE ¹
15	72654	3/8" TUBE, VALVE REAR
16	72436SB	14" SIDE BURNER GRATE
17	72165	RUBBER BUMPER, HI-TEMP
18	83483	SCREW 6-32 x 5/8 COUNTERSINK
19	83539	BALL STUD, TRIM PANEL
20	83308	6-32 KEPS NUT

¹Last 4 characters of part number (xxxx) define gas type and altitude:

LPSL = LP gas, sea level (rose)
 LPHA = LP gas, high altitude (red)
 NGSL = Natural gas, sea level (yellow)
 NGHA = Natural gas, high altitude (blue)