



The Life of the Kitchen.®

PARTS CATALOG

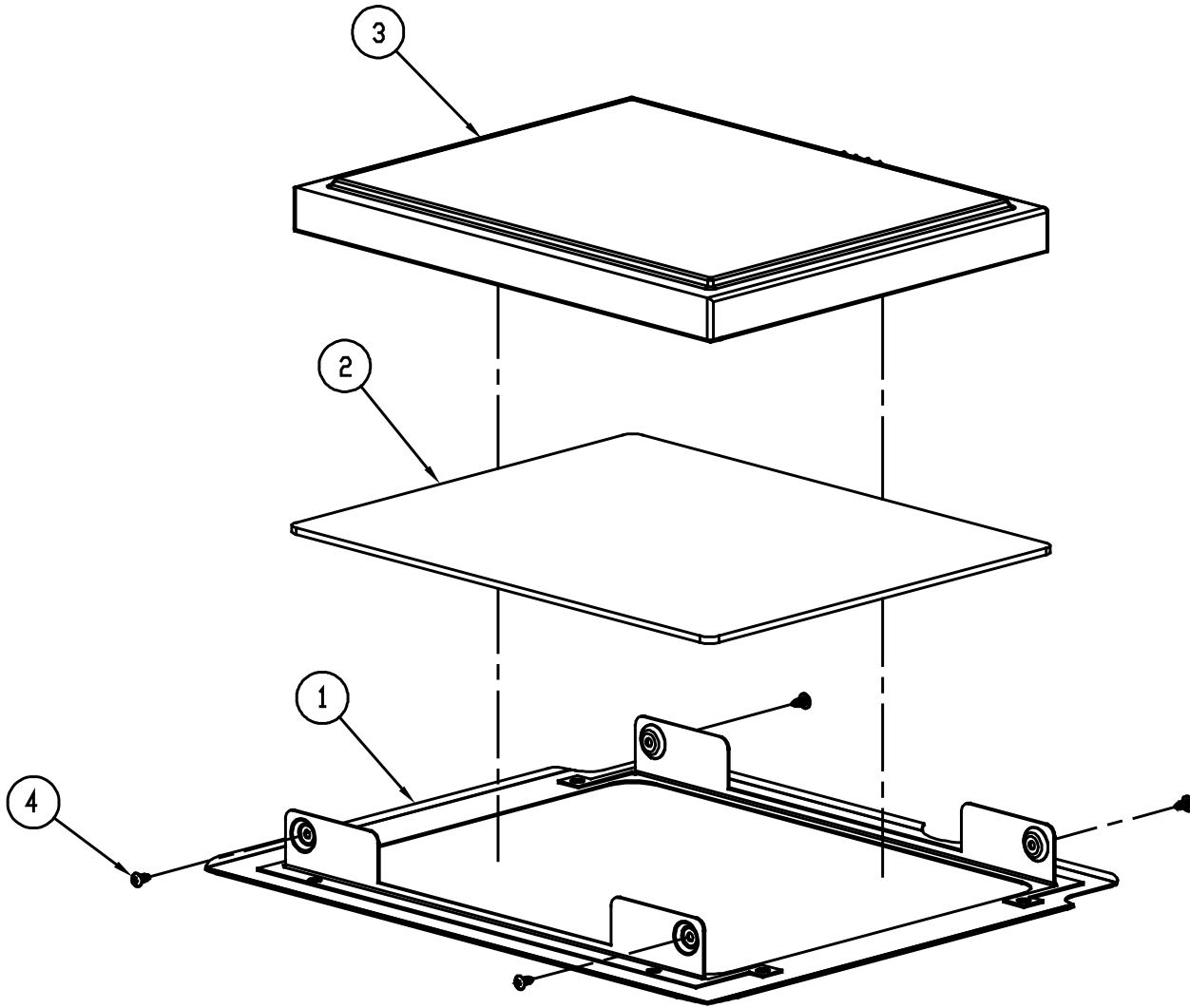
EO MO PO Double Wall Ovens

Page	Description
2	Broil Element Assembly
3	Upper Chassis Assembly 1
4	Upper Chassis Assembly 2
5	Upper Chassis Parts 2
6	Trim/Control Panel Assy
7	Trim/Control Panel Parts
8	Top/Back Cover Assembly
9	Outer Door Assembly

Page	Description
10	Outer Door Parts
11	Interior Components 1
12	Interior Components 2
13	Insulation
14	Inner Door Assembly
15	Exterior Components 1
16	Exterior Components 2
17	Cooling Fan Assembly

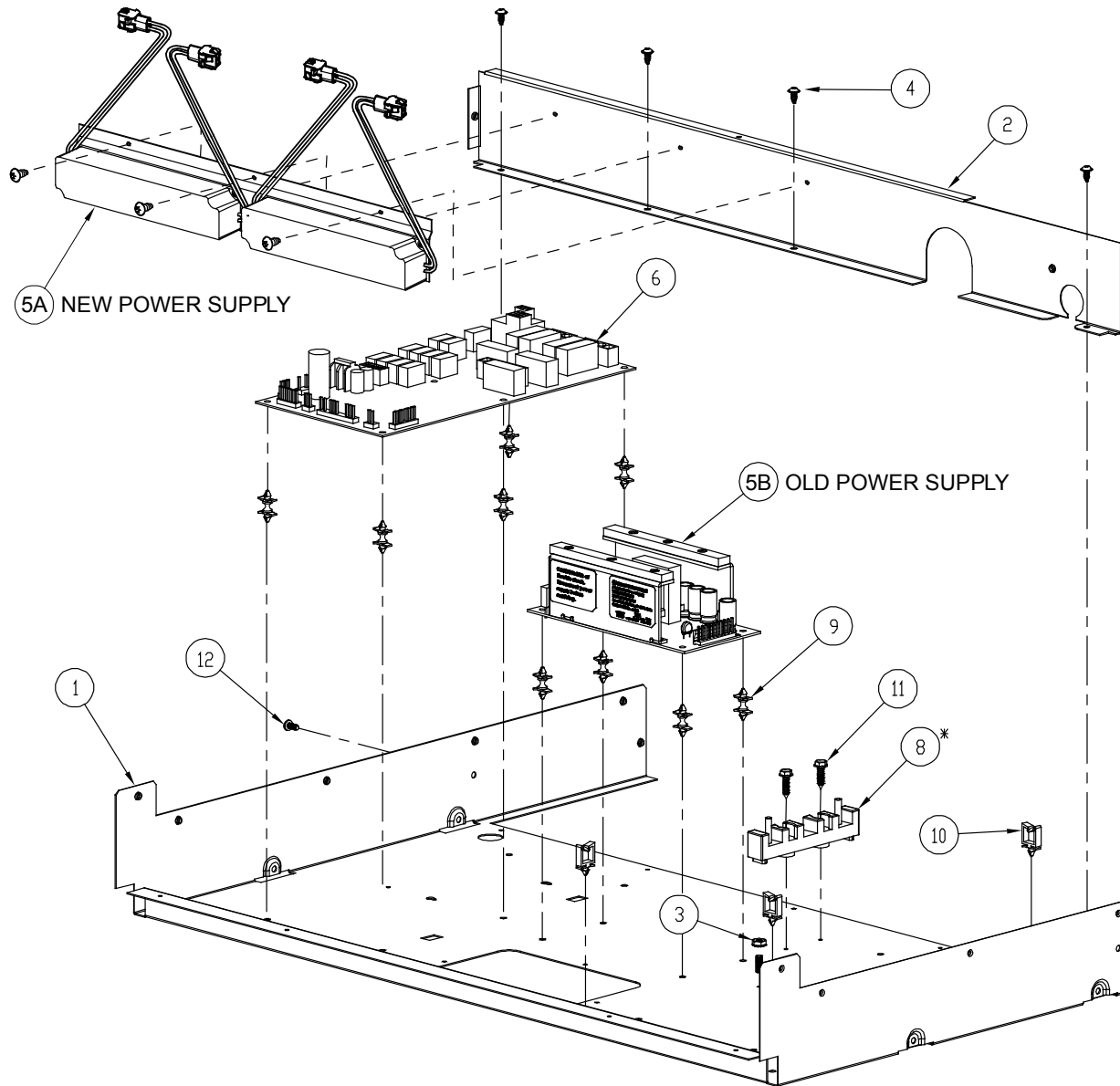
Revised 02-04-2014

EO-MO-PO Double Wall Oven Broil Assembly



Item	Part #	Description
1	27849BP	BROIL ELEMENT FRAME
2	72712	BROIL GLASS, CERAN
3	72707	BROIL ELEMENT
4	83023	SCREW, SLOT, 3/8"
-	13719	COMPLETE BROIL ELEMENT ASSEMBLY

EO-MO-PO Double Wall Oven Upper Chassis Assembly 1



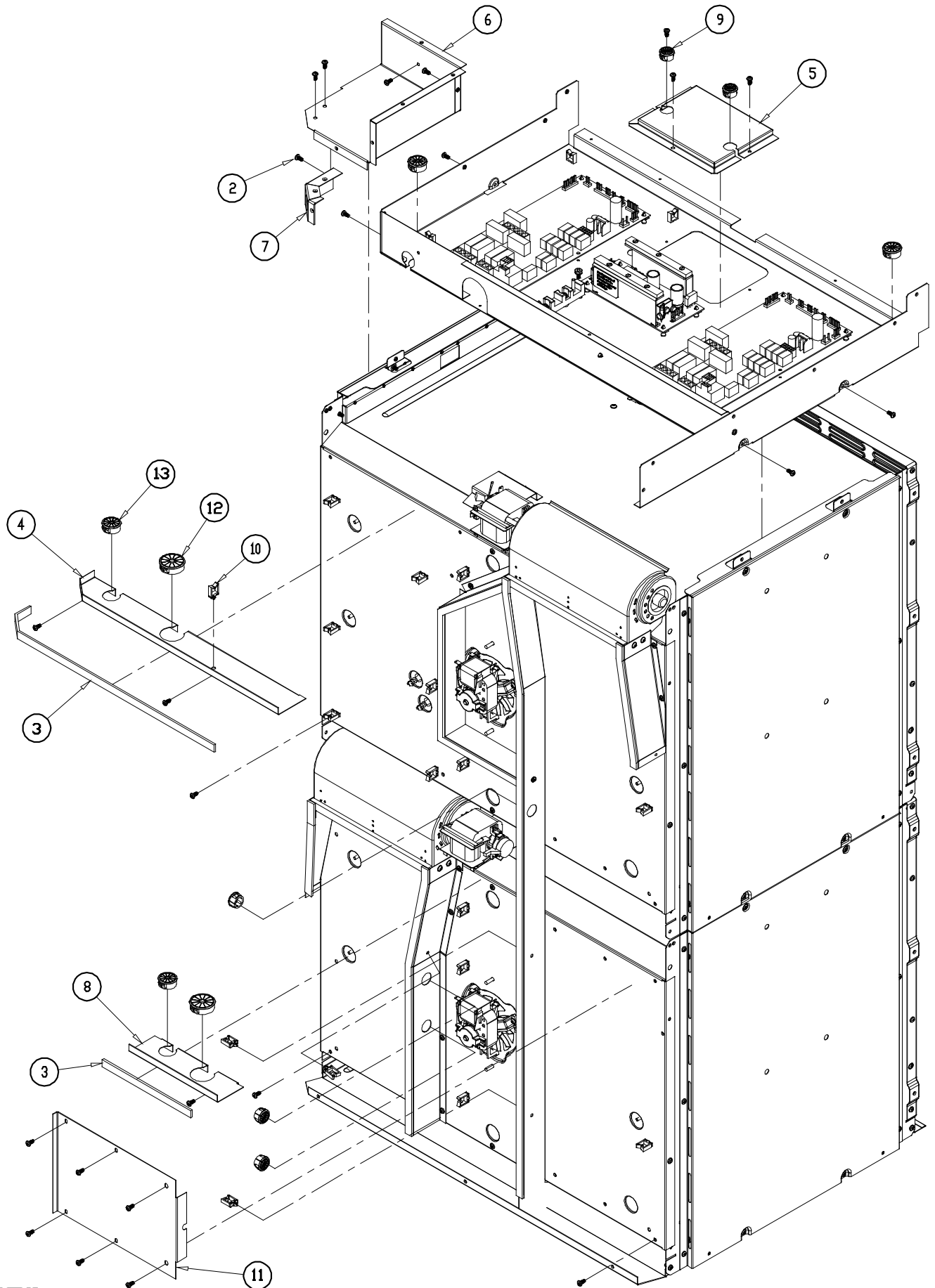
Item	Part #	Description
1	27851	ASSEMBLY, CHASSIS, 30"
	27856	ASSEMBLY, CHASSIS, 27"
2	46197	CHASSIS SHIELD, 30"
	46198	CHASSIS SHIELD, 27"
3	83308	NUT, KEPS, #6-32
4	83023	SCREW, SLOT, 3/8"
5A	701710	POWER SUPPLY (NEW STYLE)
5b	72762 ¹	POWER SUPPLY (OLD STYLE) ¹
6	101559 ²	RELAY BOARD ²

Item	Part #	Description
7	92246	WIRING HARNESS, SIGNAL (not shown)
8	72764	TERMINAL BLOCK, WITH POWER WIRING HARNESS (not shown)
9	83538	PCB SUPPORT, NYLON
10	92029-01	WIRE ROUTING CLIP (small)
	92023-03	WIRE ROUTING CLIP (large)
11	83026	SCREW, HWH, #10 x 3/4"
12	83661	SCREW,, HD, #8 x 3/8"

¹Power supply style was changed on later models. Old power supply is no longer available. On units built before SN V-E-12460056, order conversion kit # 701712, which includes power supply and necessary hardware.

²On later versions of the EO-MO-PO double oven the relay board part number changed from 72720 to 101559. If replacing a relay board marked with part number 72720, both relay boards must be replaced with part number 101559.

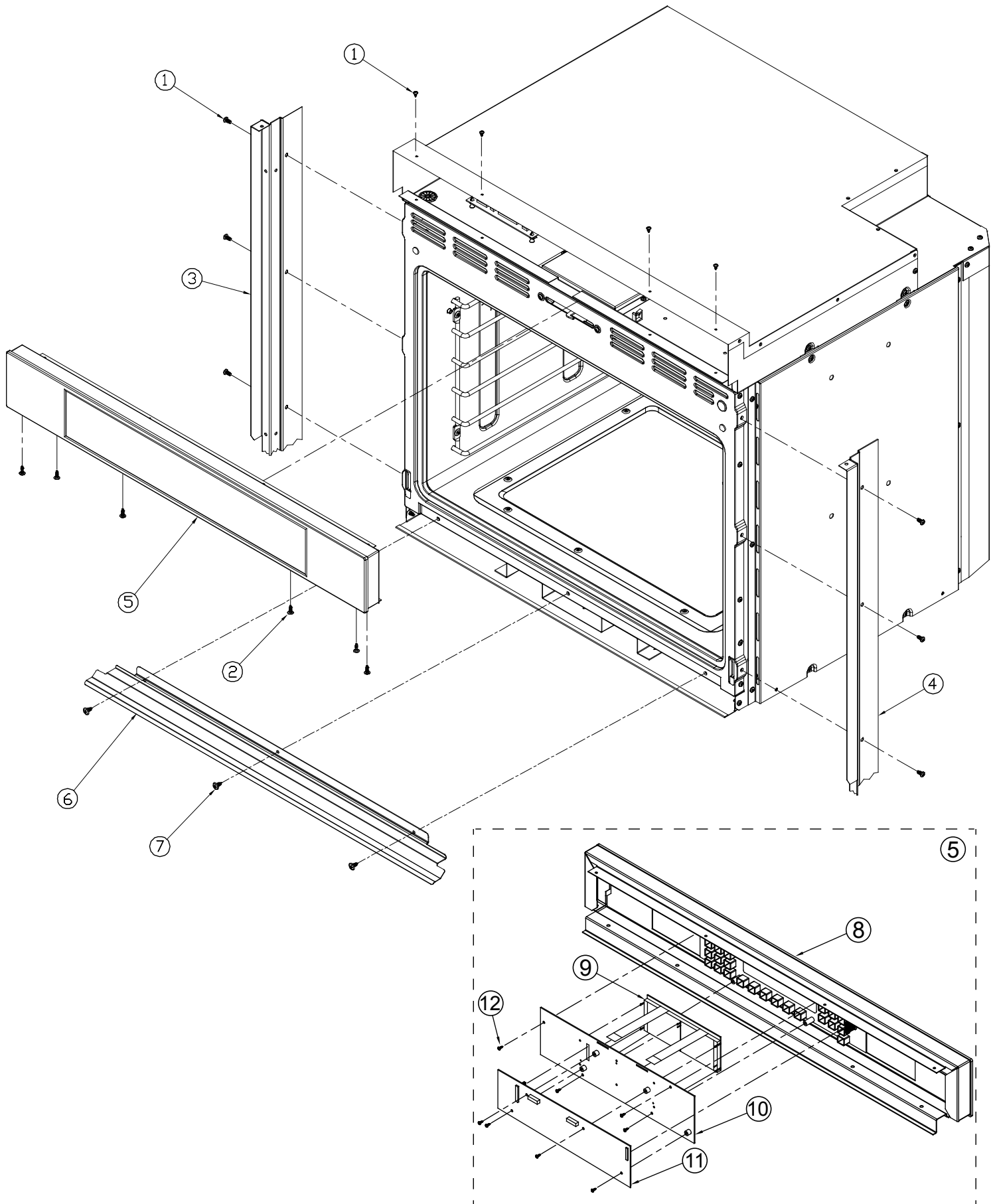
EO-MO-PO Double Wall Oven Upper Chassis Assembly 2



EO-MO-PO Double Wall Oven Upper Chassis Parts 2

Item	Part #	Description
1	82195	1/2 FLEX 90 CONNECTOR (not shown)
	26430	CONDUIT 1/2" DIA x 60" LONG, FLEXCUT (not shown)
2	83661	SCREW,, HD, #8 x 3/8"
3	101579	FOAM TAPE, CASE BACK SHIELD
4	46196	CASE BACK SHIELD, 30 INCH
	46195	CASE BACK SHIELD, 27 INCH
5	46125	ACCESS PANEL, DOOR LATCH
6	36936	TOP REAR CORNER SPACER
7	36960	CONDUIT BRACKET
8	46215	CASE BACK SHIELD, LOWER, 30 INCH
	46214	CASE BACK SHIELD, LOWER, 27 INCH
9	92191-01	BUSHING, 0.750
10	92023-01	WIRE ROUTING CLIP (small)
11	46201	DUCT BRIDGE
12	92191-03	BUSHING, 1.375
13	92191-02	BUSHING, 1.00

EO-MO-PO Double Oven Trim/Control Panel Assy

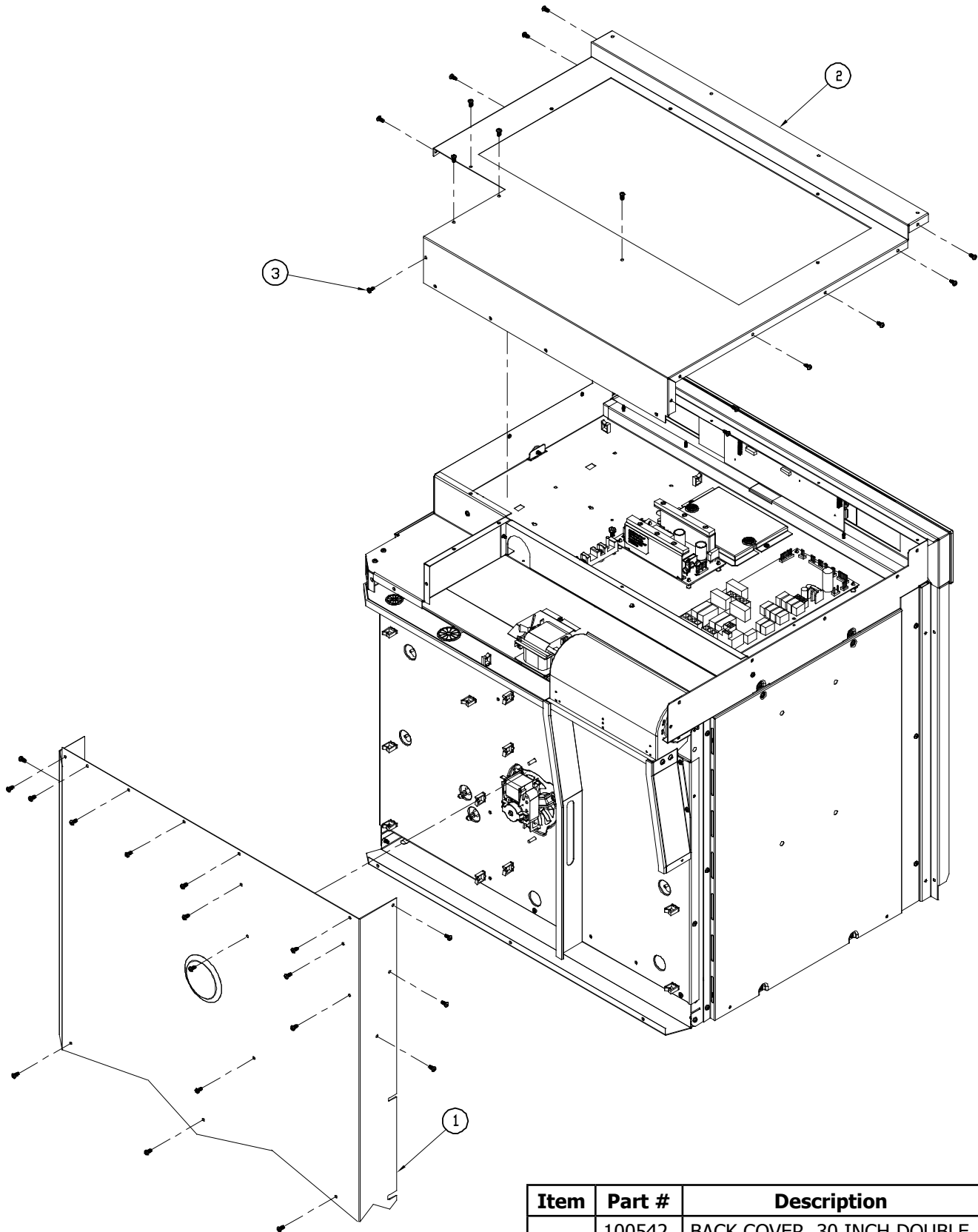


EO-MO-PO Double Wall Oven Trim Control Panel Parts

Item	Part #	Description
1	83661	SCREW, TORX PAN HEAD 3/8"
2	83709	SCREW, TORX WASHER HEAD, 1/2" BLACK
3	46245	TRIM POST, LEFT, EO, MOV, MOH
	46244GR	TRIM POST, LEFT, PO
4	46246	TRIM POST, RIGHT, EO, MOV, MOH
	46243GR	TRIM POST, RIGHT, PO
5*	12685-002	CONTROL PANEL, EO230
	12685-004	CONTROL PANEL, EO227
	12693-002	CONTROL PANEL, MOV230
	12693-004	CONTROL PANEL, MOV227
	12694-002	CONTROL PANEL, MOH230
	12694-004	CONTROL PANEL, MOH227
	12695-008	CONTROL PANEL, PO227, STERLING GRAY
	12695-010	CONTROL PANEL ASSY, PO230, BLUE WATER
	12695-014	CONTROL PANEL, PO230, ANTHRACITE GRAY
	12695-016	CONTROL PANEL, PO227, ANTHRACITE GRAY
	12695-018	CONTROL PANEL, PO230, SLATE GREEN
	12695-020	CONTROL PANEL, PO227 SLATE GREEN
	12695-022	CONTROL PANEL, PO230, BLACK
	12695-024	CONTROL PANEL, PO227, BLACK
	12695-002	CONTROL PANEL, PO230, TITANIUM SILVER
	12695-004	CONTROL PANEL, PO227, TITANIUM SILVER
	12695-006	CONTROL PANEL, PO230, STERLING GRAY
12695-010	CONTROL PANEL, PO230, BLUE WATER	
6	46050B	EXHAUST DEFLECTOR, 27 INCH, LOWER
	46051B	EXHAUST DEFLECTOR, 30 INCH, LOWER
	46023B	EXHAUST DEFLECTOR, 27 INCH, UPPER
	46032B	EXHAUST DEFLECTOR, 30 INCH, UPPER
7	83263	SCREW, PHILLIPS WASHER HEAD 3/8", BLACK
8	REF	CONTROL PANEL (MUST ORDER WITH PCBS INSTALLED, SEE ITEM 5)
9	92386	DISPLAY, LCD
10	92385D-C	LED BOARD, DOUBLE OVEN
11	72724-C	LOGIC BOARD
12	100212	SCREW, PHILLIPS HEAD, PCB MOUNT
-	700486-01	MOUNTING SCREW (not shown)

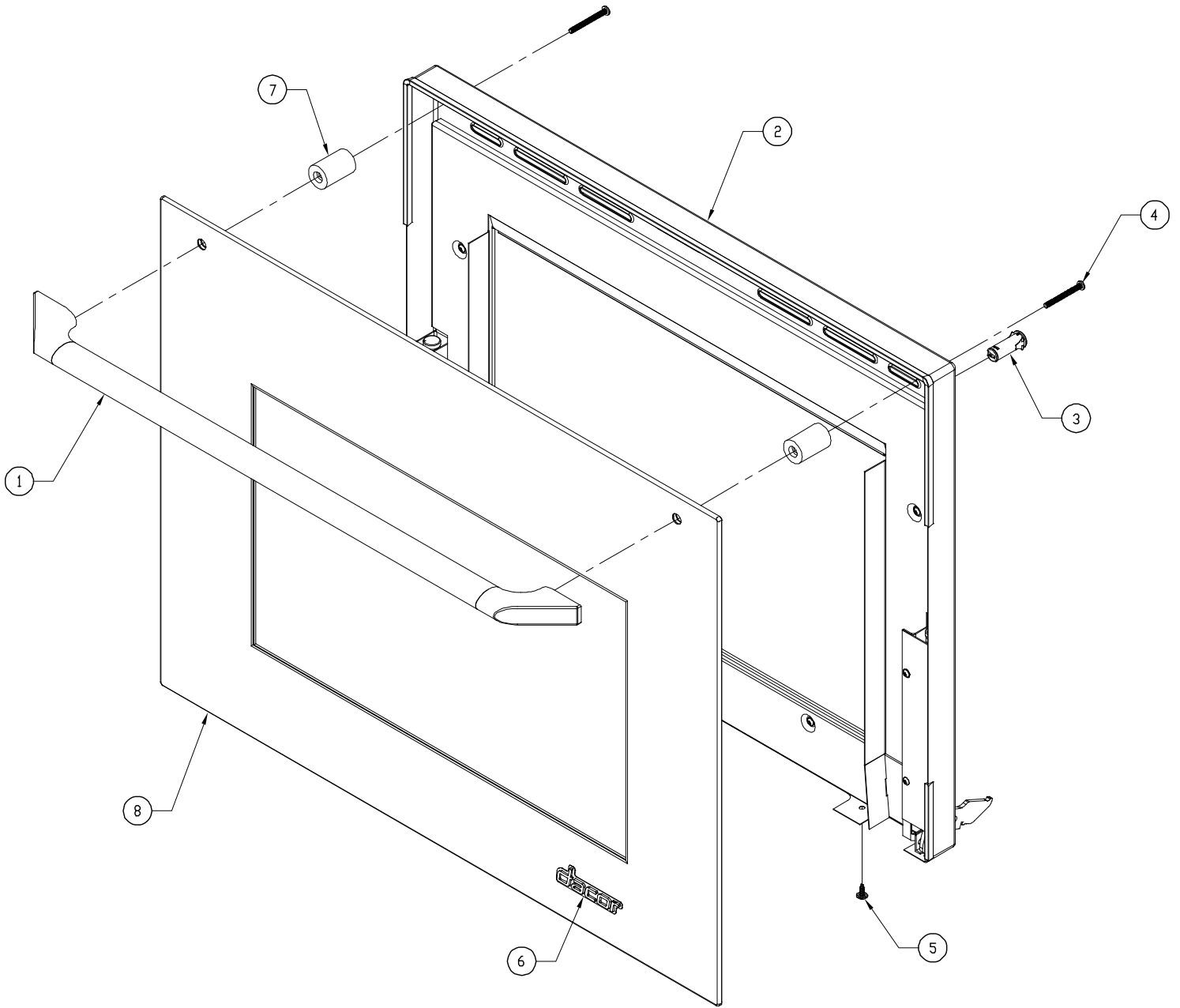
*Includes items 8, 9, 10, 11 and 12

EO-MO-PO Double Wall Oven Top/Back Cover Assy



Item	Part #	Description
1	100542	BACK COVER, 30 INCH DOUBLE
	46206	BACK COVER, 27 INCH DOUBLE
2	36716	TOP COVER, 30 INCH
	46016	TOP COVER, 27 INCH
3	83661	SCREW, TORX PAN HEAD, 3/8"

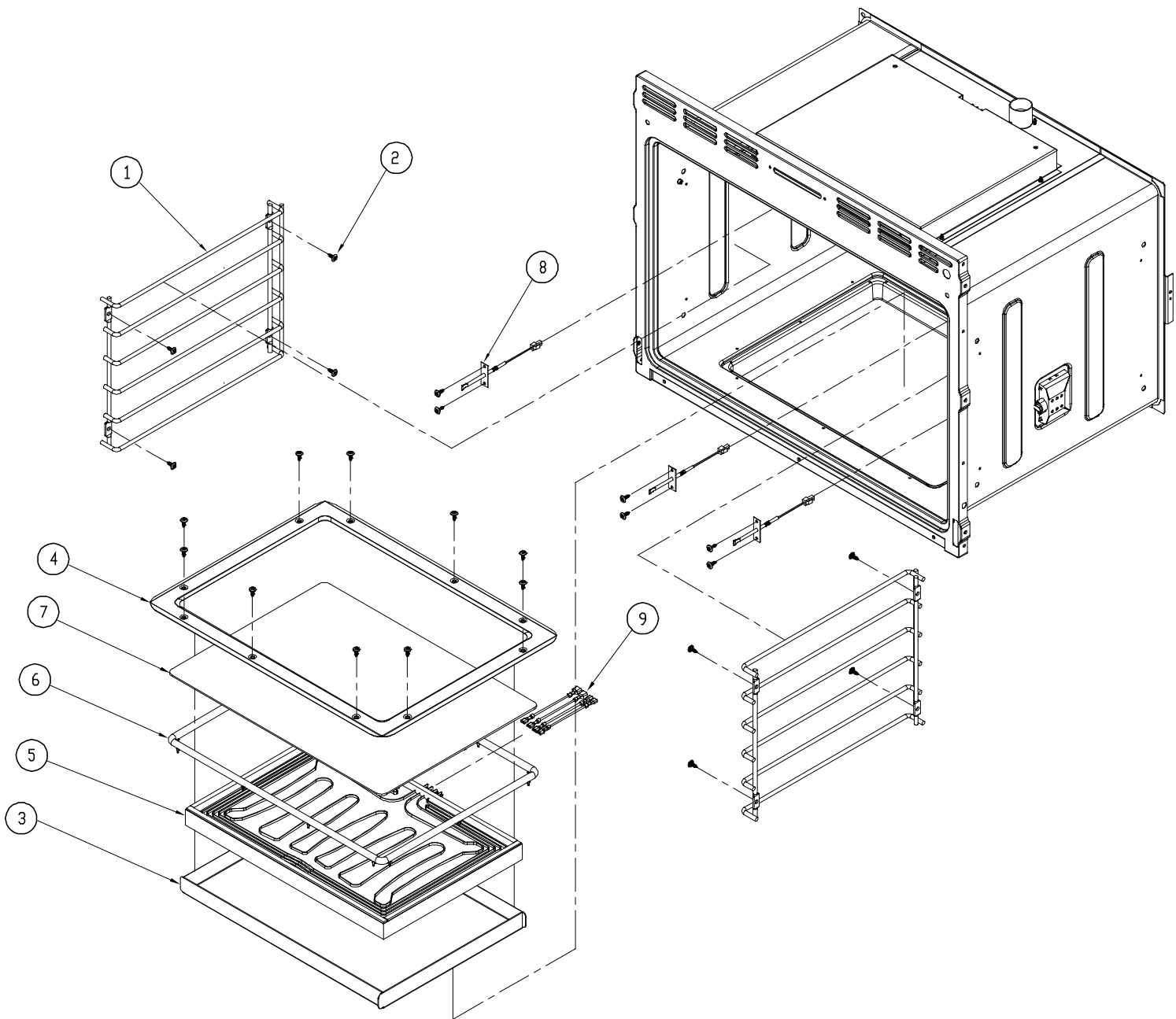
EO-MO-PO Double Wall Oven Outer Door Assembly



EO-MO-PO Double Wall Oven Outer Door Parts

Item	Part #	Description
1	13659-001	DOOR HANDLE, EO 30, CHROME
	13659-002	DOOR HANDLE, EO 27, CHROME
	13659-003	DOOR HANDLE, EO 30, BLACK
	13659-004	DOOR HANDLE, EO 27, BLACK
	13659-005	DOOR HANDLE, EO 30, BRASS
	13659-006	DOOR HANDLE, EO 27, BRASS
	13659-007	DOOR HANDLE, EO 30, COPPER
	13659-008	DOOR HANDLE, EO 27, COPPER
	13659-009	DOOR HANDLE, EO 30, BLACK CHROME
	13659-010	DOOR HANDLE, EO 27, BLACK CHROME
	72938GR	DOOR HANDLE, PO 30
	72936GR	DOOR HANDLE, PO 27
	72937	DOOR HANDLE, MO 30
	72935	DOOR HANDLE, MO 27
2	12684-001	DOOR LINER ASSEMBLY, 30 INCH
	12684-002	DOOR LINER ASSEMBLY, 27 INCH
3	92205	DOOR SWITCH MAGNET
4	83688	SCREW, TORX HEAD, BLACK (MO, PO)
	100026	SCREW, TORX HEAD, BLACK (EO)
5	83709	SCREW, TORX WASHER HEAD, 1/2", BLK
6	72510CH	DACOR LOGO
7	72793	SPACER, DOOR LINER
8	701086	DOOR GLASS ASY W / LOGO KIT, EO 30
	701087	DOOR GLASS ASY W / LOGO KIT, EO 27
	12687-001L	DOOR GLASS ASSEMBLY, MOV 30
	12687-002L	DOOR GLASS ASSEMBLY, MOV 27
	12688-001L	DOOR GLASS ASSEMBLY, MOH 30
	12688-002L	DOOR GLASS ASSEMBLY, MOH 27
	12689-001L	DOOR GLASS ASSEMBLY, PO 30, TITAN. SILVER
	12689-002L	DOOR GLASS ASSEMBLY, PO 27, TITAN. SILVER
	12689-003L	DOOR GLASS ASSEMBLY, PO 30, STERLING GRAY
	12689-004L	DOOR GLASS ASSEMBLY, PO 27, STERLING GRAY
	12689-005L	DOOR GLASS ASSEMBLY, PO 30, BLUE WATER
	12689-006L	DOOR GLASS ASSEMBLY, PO 27, BLUE WATER
	12689-007L	DOOR GLASS ASSEMBLY, PO 30, ANTHRA. GRAY
	12689-008L	DOOR GLASS ASSEMBLY, PO 27, ANTHRA. GRAY
	12689-009L	DOOR GLASS ASSEMBLY, PO 30, SLATE GREEN
	12689-010L	DOOR GLASS ASSEMBLY, PO 27, SLATE GREEN
12689-011L	DOOR GLASS ASSEMBLY, PO 30, BLACK	
12689-012L	DOOR GLASS ASSEMBLY, PO 27, BLACK	

EO-MO-PO Double Wall Oven Interior Components 1



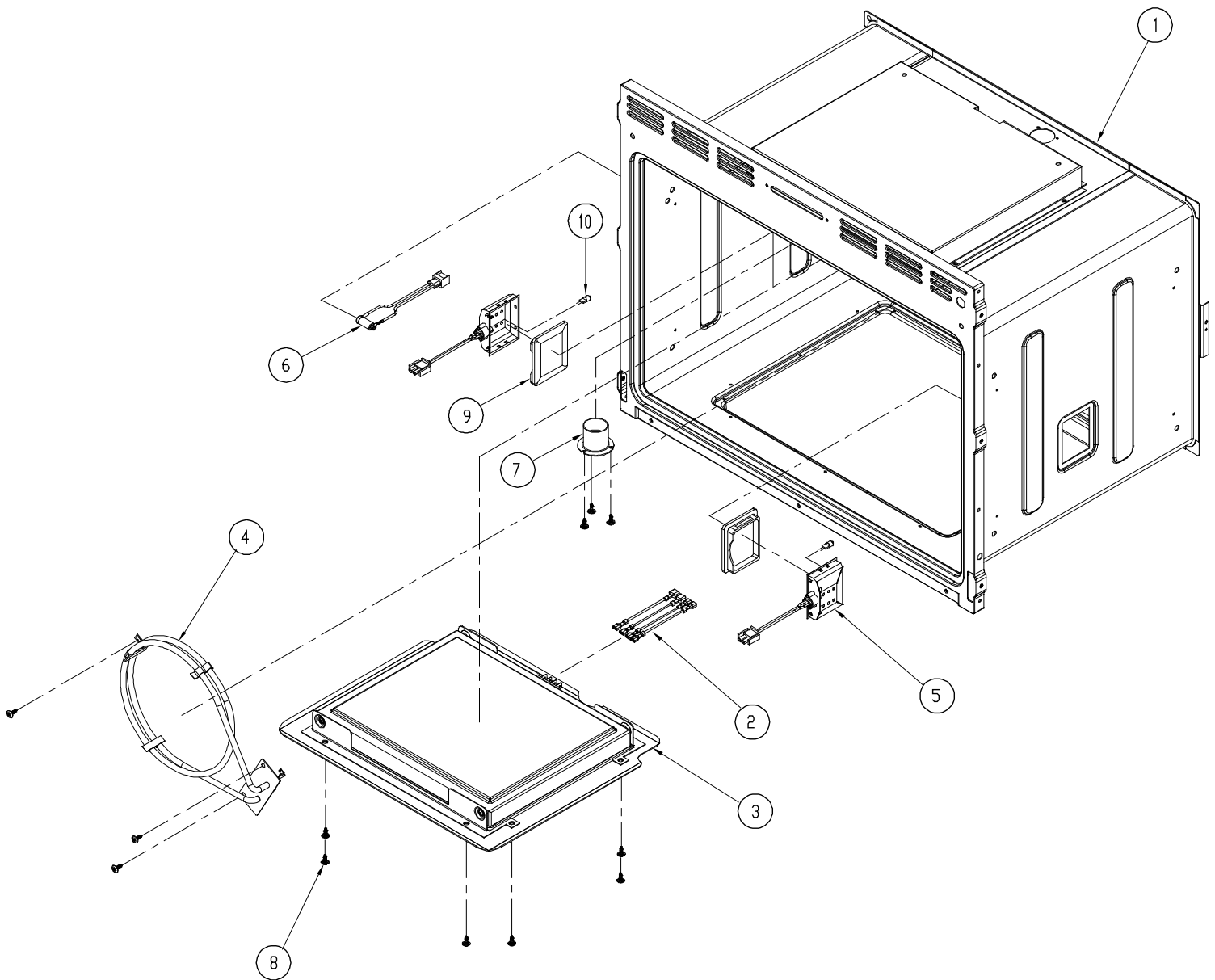
Item	Part #	Description
1	701089 ¹	RACK SUPPORT KIT ¹
2	83708	SCREW, TORX WAFFER HEAD, 1/2"
3	701088 ²	TRAY, BAKE ELEMENT ²
4	27927BP	FRAME, BAKE ELEMENT
5	701088 ²	BAKE ELEMENT ²
6	72900	GASKET, BAKE GLASS

Item	Part #	Description
7	72898	BAKE GLASS
8	72752	TEMPERATURE SENSOR
9	92319	WIRE, OUTER ELEMENT (FEMALE-FEMALE)
	92320	WIRE, INNER ELEMENT (MALE-FEMALE)
-	105904-01	27 INCH STANDARD OVEN RACK (not shown)
	105904-02	30 INCH STANDARD OVEN RACK (not shown)
	701619-01	27 INCH GLIDERACK OVEN RACK (not shown)
	701619-02	30 INCH GLIDERACK OVEN RACK (not shown)

¹Use PN 105901 for the following models: EO230SCH Rev G, MOH230S Rev G, MOV230S Rev G and EO230BK Rev B. Use PN 72726 for all other versions.

²Kit # 701088 includes bake element and tray.

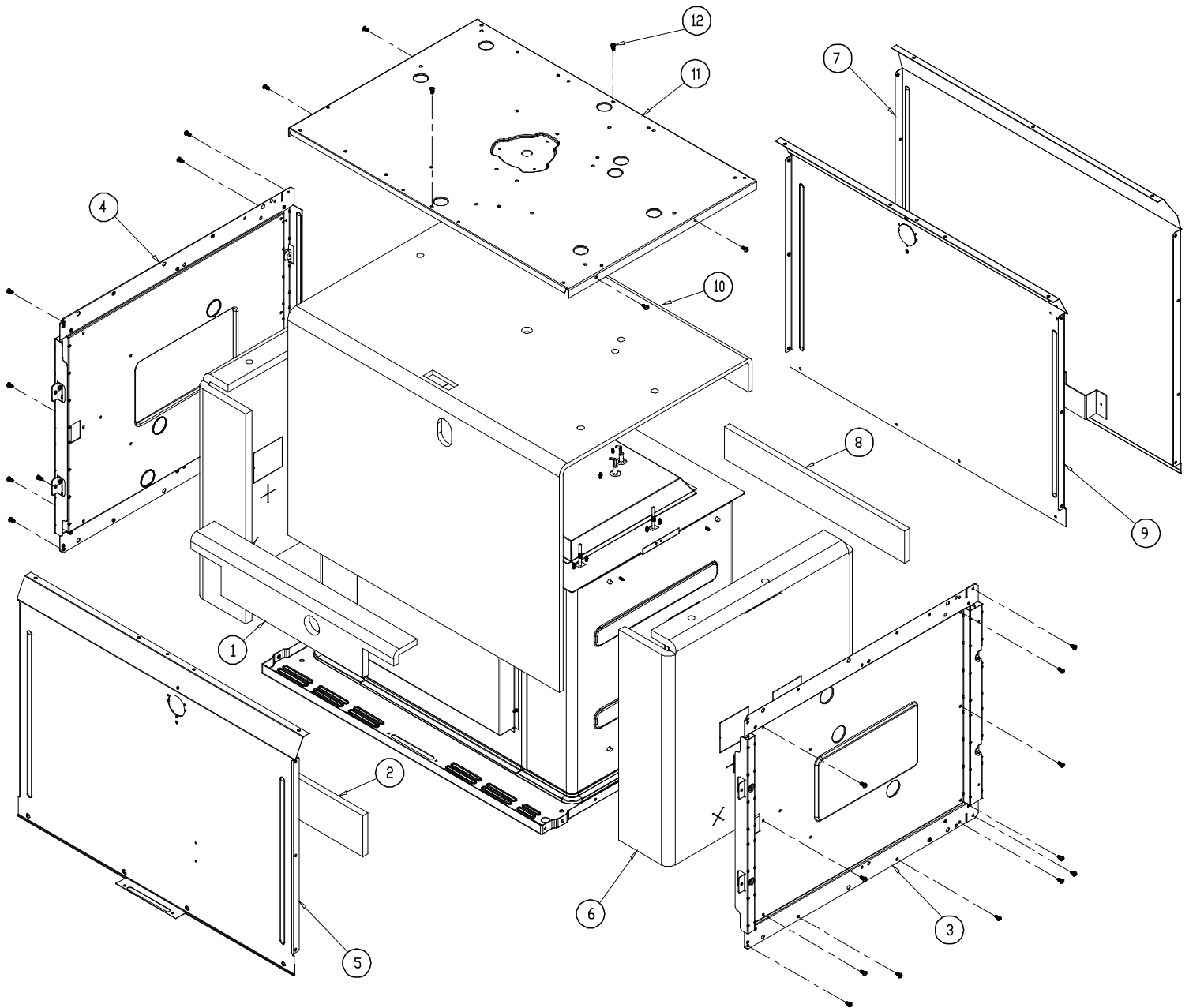
EO-MO-PO Double Wall Oven Interior Components 2



Item	Part #	Description
1	27852BP	OVEN CELL, 30 INCH
	27857BP	OVEN CELL, 27 INCH
2	92319	WIRE, OUTER ELEMENT (FEMALE-FEMALE)
	92320	WIRE, INNER ELEMENT (MALE-FEMALE)
3	13719	BROIL ELEMENT ASSEMBLY, 3000W
4	72719	CONVECTION ELEMENT, 2600W
5	72751	LIGHT FIXTURE, HALOGEN

Item	Part #	Description
6	72717	SOCKET, MEAT PROBE
7	72755	SMOKE ELIMINATOR
8	83708	SCREW, TORX WAFER HEAD, 1/2"
9	92376	LENS, HALOGEN LIGHT
10	92317	LIGHT BULB, HALOGEN 10 W, 12 V
-	72723	MEAT PROBE (not shown)

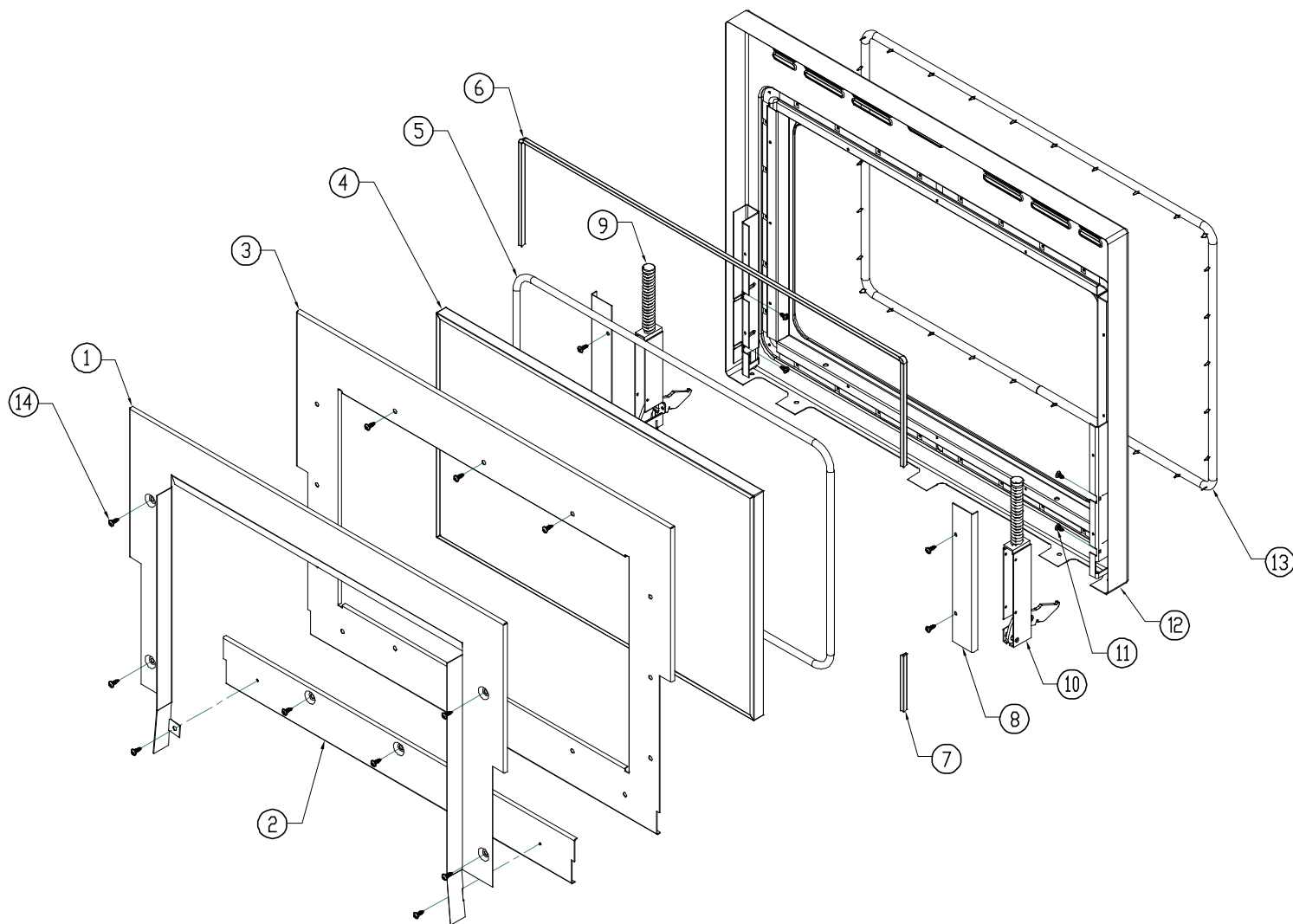
EO-MO-PO Double Wall Oven Insulation



Item	Part #	Description
1	101504	30 INCH TOP REAR INNER INSULATION
	101498	27 INCH TOP REAR INNER INSULATION
2	101503	TOP FRONT INNER INSULATION
3	12680-002	RIGHT-HAND CASE SIDE ASSEMBLY
4	12680-001	LEFT-HAND CASE SIDE ASSEMBLY
5	12683-001	30 INCH CASE TOP ASSEMBLY
	12683-002	27 INCH CASE TOP ASSEMBLY
6	101495	30 INCH CASE SIDE INSULATION
	101499	27 INCH CASE SIDE INSULATION

Item	Part #	Description
7	13833-001	30 INCH EXHAUST PLATE ASSEMBLY
	13833-002	27 INCH EXHAUST PLATE ASSEMBLY
8	101502	BOTTOM FRONT INNER INSULATION
9	36687	30 INCH CASE BOTTOM
	46014	27 INCH CASE BOTTOM
10	101496	30 INCH INSULATION WRAP
	101500	27 INCH INSULATION WRAP
11	101539	30 INCH CASE BACK
	101538	27 INCH CASE BACK
12	83661	SCREW, TORX PAN HEAD, 3/8"

EO-MO-PO Double Wall Oven Inner Door Assembly



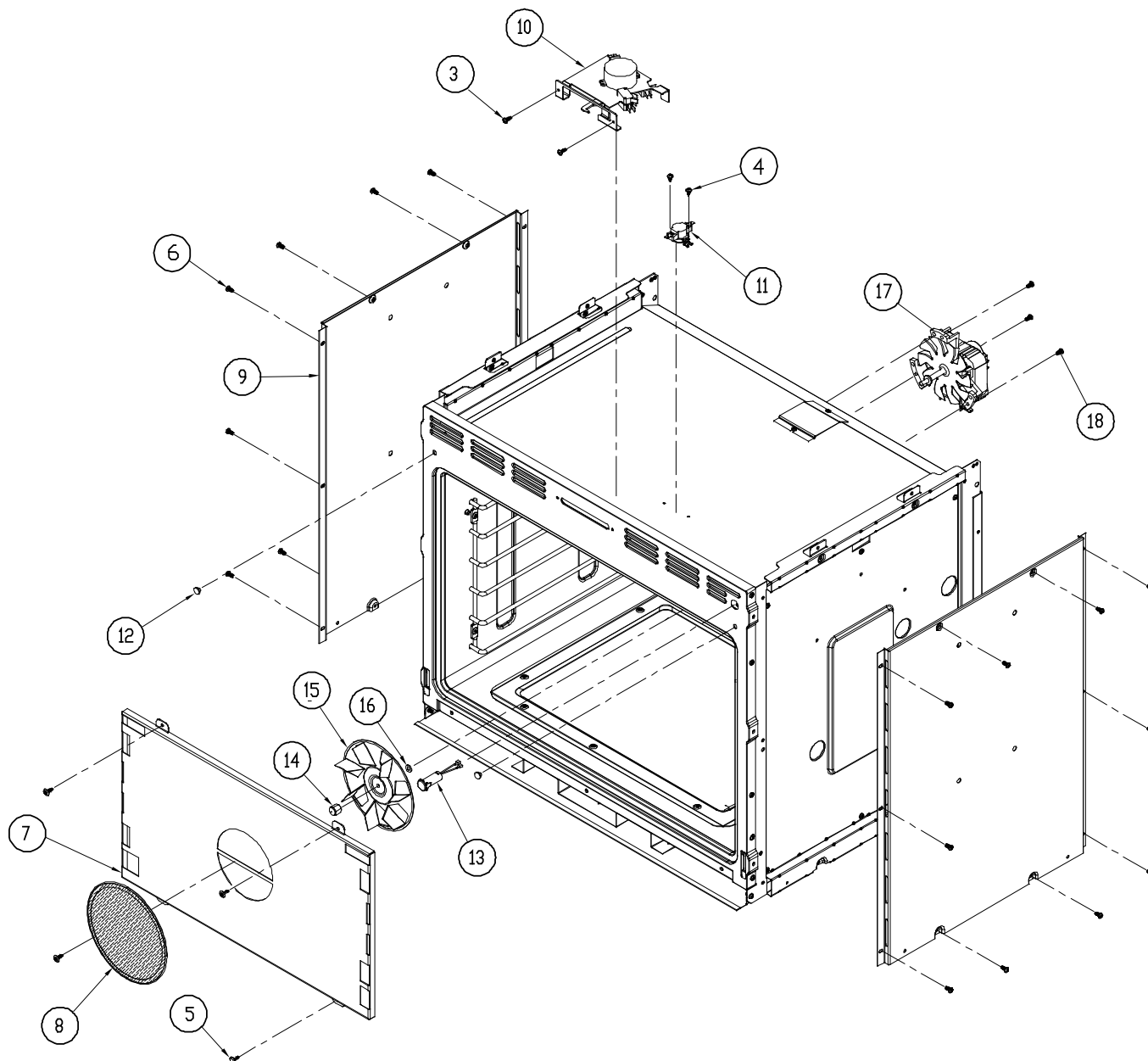
Item	Part #	Description
1	46132B	HEAT SHIELD, INNER, 30 INCH
	46131B	HEAT SHIELD, INNER, 27 INCH
2	46212B	HEAT SHIELD, LOWER OUTER, 30 INCH
	46213B	HEAT SHIELD, LOWER OUTER, 27 INCH
3	36692B	HEAT SHIELD, OUTER, 30 INCH
	46001B	HEAT SHIELD, OUTER, 27 INCH
4	72968	WINDOW PACK, 30 INCH
	72967	WINDOW PACK, 27 INCH
5	72791	DOOR GLASS GASKET, 30 INCH
	72718	DOOR GLASS GASKET, 27 INCH
6	72792	SILICONE GASKET UPPER

Item	Part #	Description
7	92202	SILICONE GASKET LOWER (2 PLACES)
8	36724	COVER, HINGE MOUNTING BRACKET
9	701090 ¹	HINGE, LEFT-HAND, 30 INCH ¹
	701091 ²	HINGE, LEFT-HAND, 27 INCH ²
10	701090 ¹	HINGE, RIGHT-HAND, 30 INCH ¹
	701091 ²	HINGE, RIGHT-HAND, 27 INCH ²
11	-	NOT USED
12	27850BP	DOOR LINER, 30 INCH
	27855BP	DOOR LINER, 27 INCH
13	72716	DOOR GASKET, 30 INCH
	72748	DOOR GASKET, 27 INCH
14	83709	SCREW, TORX WASHER HEAD, 1/2", BLACK

¹Kit # 701090 includes right and left hinges.

²Kit # 701091 includes right and left hinges.

EO-MO-PO Double Wall Oven Exterior Components 1

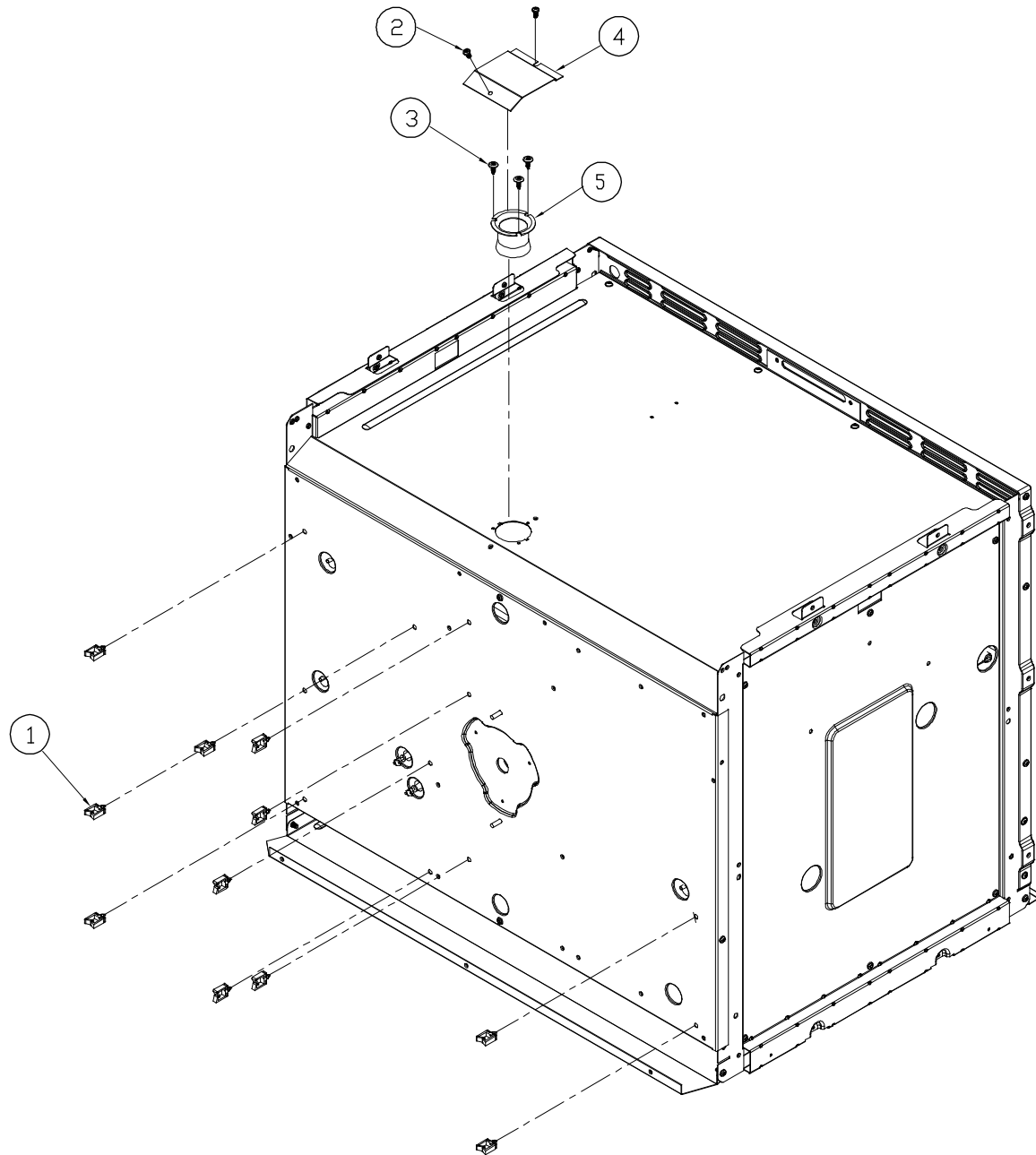


Item	Part #	Description
1	92247	WIRING HARN., DOOR LATCH UPPER (not shown)
2	92248	WIRING HARN., DOOR LATCH LOWER (not shown)
3	83263	SCREW, PHILLIPS WASH. HEAD 3/8", BLK
4	83661	SCREW, TORX PAN HEAD, 3/8"
5	83708	SCREW, TORX WAFER HEAD, 1/2"
6	83661	SCREW, TORX PAN HEAD, 3/8"
7	101734BP	CONVECTION BAFFLE, 30 INCH
	102082BP	CONVECTION BAFFLE, 27 INCH
8	92322	CONVECTION FILTER
9	36884	CASE SIDE COVER

Item	Part #	Description
10	72729	DOOR LATCH MECHANISM
11	92321	HIGH LIMIT SWITCH
12	72794	RUBBER BUMPER
13	92024	DOOR SWITCH ASSEMBLY
14	102137 ¹	NUT, CONVECTION FAN ¹
15	101511 ¹	FAN BLADE, CONVECTION FAN ¹
16	102136 ¹	WASHER, CONVECTION FAN ¹
17	700633 ¹	CONVECTION FAN MOTOR ¹
18	83709	SCREW, TORX WASHER HEAD, 8 x 1/2"

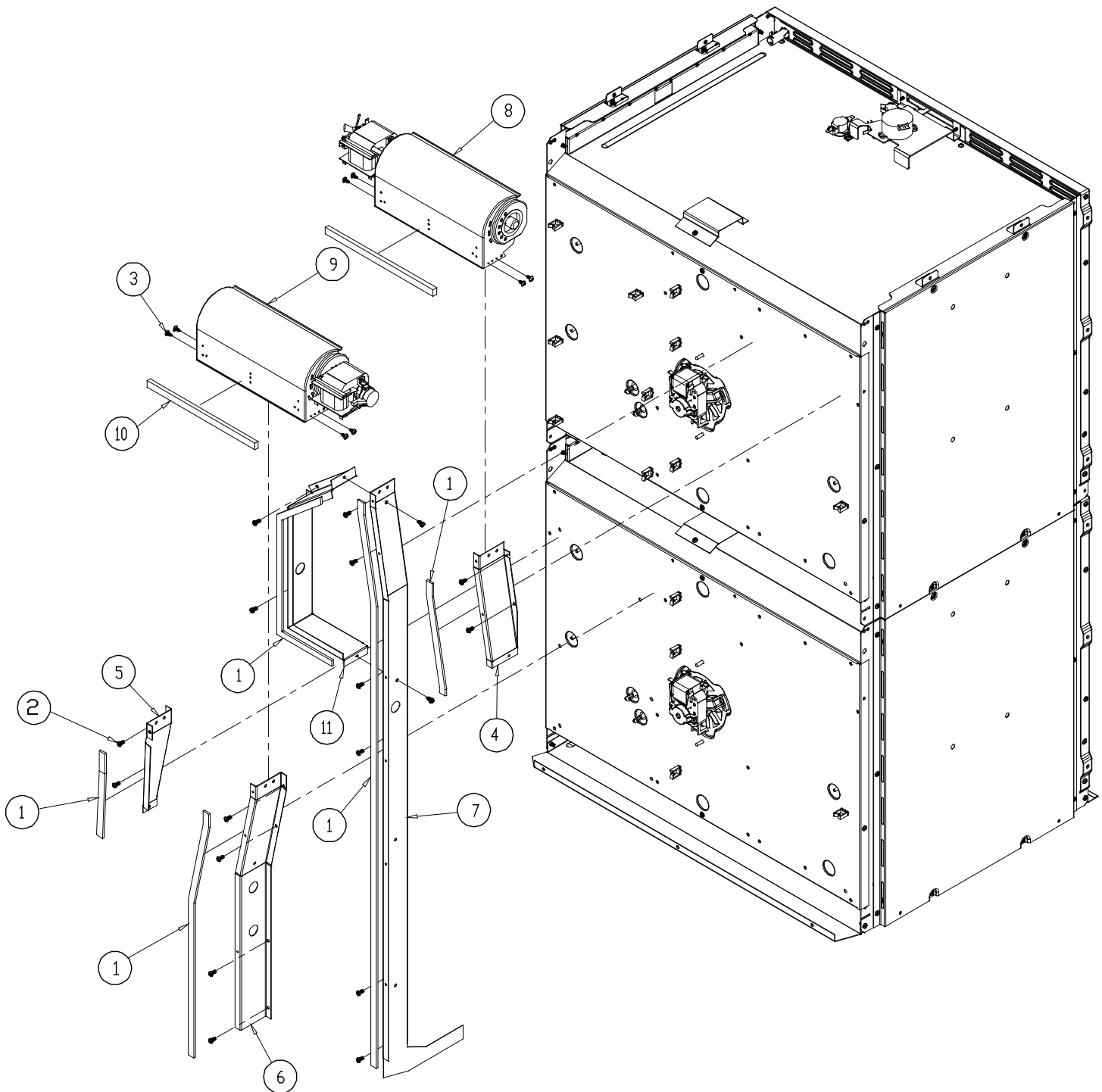
¹Kit # 700633 includes motor, fan blade, washer and nut.

EO-MO-PO Double Wall Oven Exterior Components 2



Item	Part #	Description
1	92023-01	WIRE ROUTING CLIP (SMALL)
	92023-03	WIRE ROUTING CLIP (LARGE)
2	83661	SCREW, TORX PAN HEAD, 3/8"
3	83708	SCREW, TORX WAFER HEAD, 1/2"
4	100484	SMOKE ELIMINATOR DUCT
5	92313	SMOKE ELIMINATOR

EO-MO-PO Double Wall Oven Cooling Fan Assembly



Item	Part #	Description
1	101579	FOAM TAPE
2	83661	SCREW, TORX PAN HEAD, 3/8"
3	83023	SCREW, SLOT, 3/8"
4	46194	EXHAUST DUCT
5	46207	EXHAUST DUCT
6	46208	EXHAUST DUCT

Item	Part #	Description
7	100401	EXHAUST DUCT
8	700508 ¹	COOLING FAN UPPER ¹
9	700507 ¹	COOLING FAN LOWER ¹
10	92208	FOAM TAPE, COOLING FAN
11	100400	BAFFLE, LOWER/UPPER 30 INCH OVEN
	100399	BAFFLE, LOWER/UPPER 27 INCH OVEN

¹ If error code L60 or U60 appears on the display, see the Dacor service bulletin on *Cooling Fan Failure* before ordering the cooling fan. Replacement of additional parts may be required.