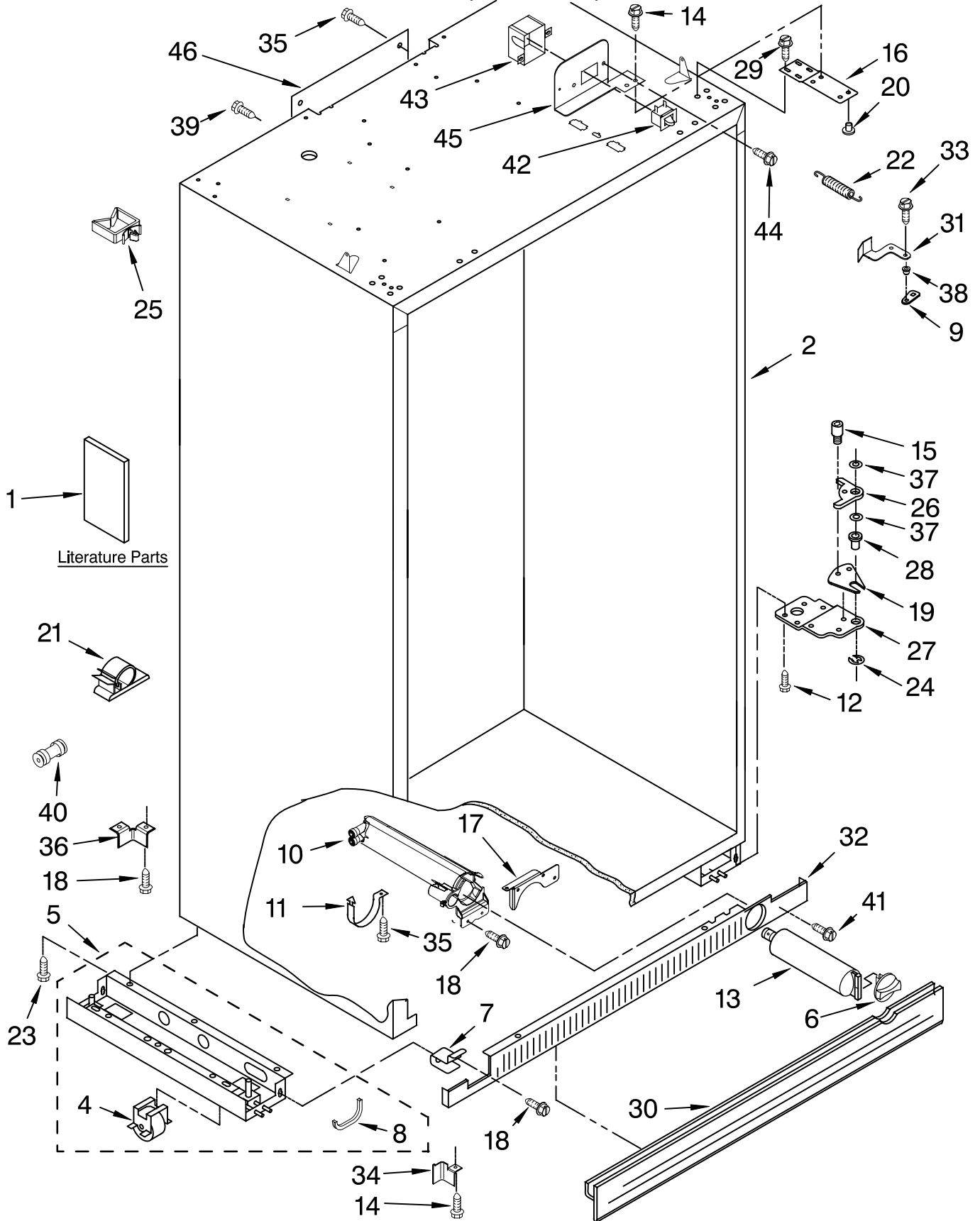


CABINET PARTS

For Model: EF42DBSS01

(Stainless Steel)

42" BUILT IN
REFRIGERATOR



FOR ORDERING INFORMATION REFER TO PARTS PRICE LIST

CABINET PARTS

For Model: EF42DBSS01

(Stainless Steel)

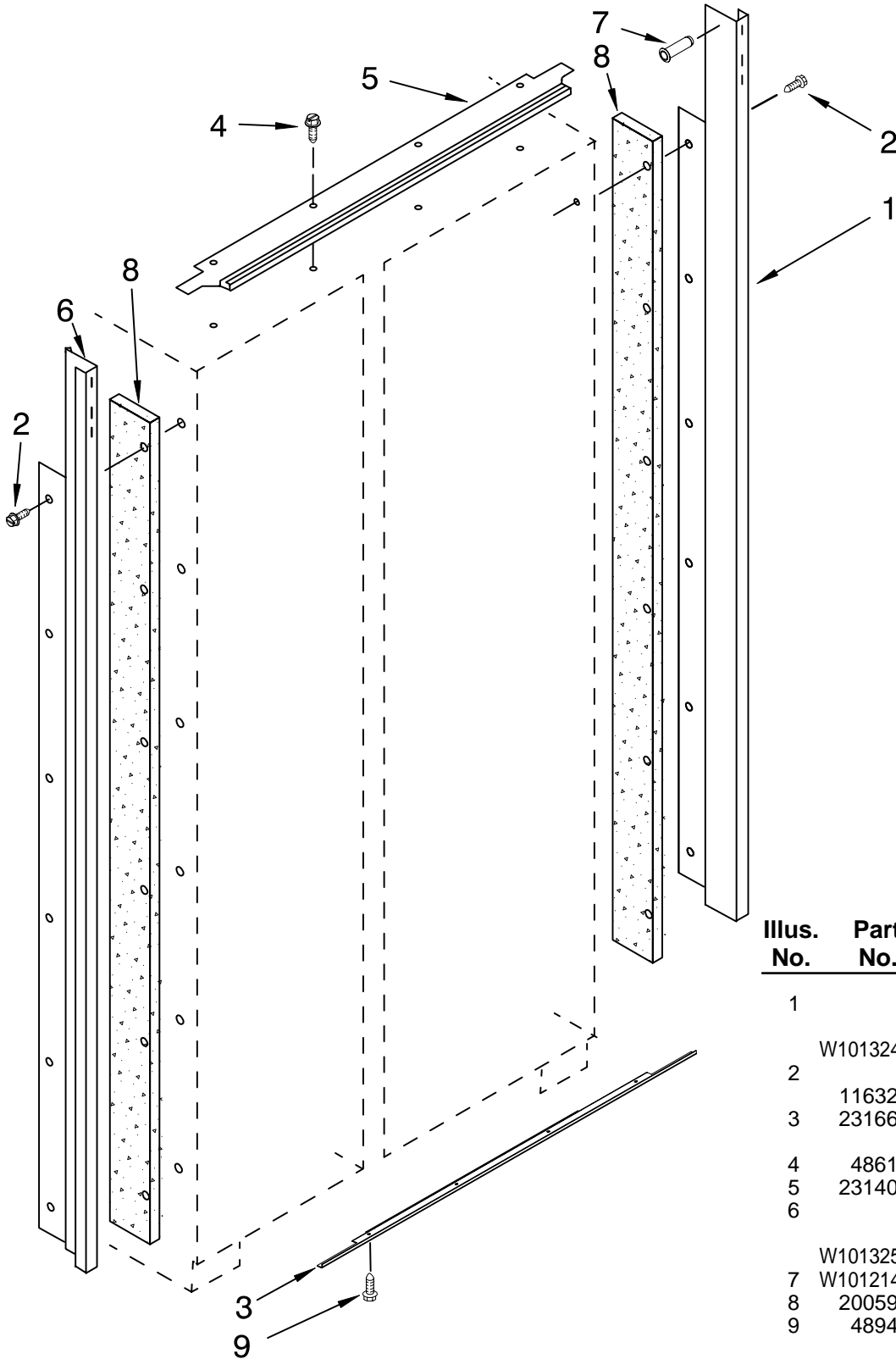
| Illus. No. | Part No. | DESCRIPTION | Illus. No. | Part No. | DESCRIPTION | Illus. No. | Part No. | DESCRIPTION |
|------------|-----------|---|------------|-----------|------------------------------------|------------|----------|----------------------------------|
| 1 | | Literature Parts | 12 | 3400525 | Screw | 30 | | Skirt-Grille, Bottom |
| | W10159566 | Use & Care Guide | 13 | W10168990 | Filter, Water | | 2209025B | Black |
| | W10205631 | Energy Guide | 14 | 489399 | Screw | 31 | | Extension Arm, Door Closer |
| | W10180103 | Service & Wiring Sheet | 15 | 3400230 | Screw, Door Stop | | 2266882 | Right |
| | 2306424 | Icemaker and Ingredient Care Center Service Sheet | 16 | 2257644 | Hinge (Top) | | 2266881 | Left |
| | W10180893 | Main Control Service Sheet | 17 | 2307582 | Bracket, Mtg (Water Filter) | 32 | | Grille Bottom, Front |
| | W10159564 | Installation Instructions | 18 | 489464 | Screw | | 2209428B | Black |
| 2 | | Cabinet (Not A Serviceable Part) | 19 | 2004994 | Lock, Adjustable Bushing | 33 | 2005921 | Screw |
| 4 | W10138054 | Roller, Front & Rear (4) | 20 | 2300082 | Bushing | 34 | | Bracket, Support Base (Front) |
| 5 | | Support, Leveler Assembly | 21 | 2004514 | Clip, Conduit | | 2006616 | Left |
| | W10163493 | Refrigerator Side | 22 | 2221242 | Spring, Door Closure | | 2006556 | Right |
| | W10163491 | Freezer Side | 23 | 486194 | Screw | 35 | 1157158 | Screw |
| 6 | | Cap, Water Filter | 24 | 2005008 | Retaining Ring, Adjustable Bushing | 36 | 2006617 | Bracket, Support Base (Rear) (2) |
| | 2186494B | Black | 25 | W10129069 | Wire Clip (5) | 37 | 2006346 | Washer |
| 7 | 2325157 | Bracket, Grill Mounting | 26 | 2006342 | Gap, Cover Assembly (Bottom) | 38 | 2266880 | Bushing, Extension Arm |
| 8 | 2307584 | Grommet, Crossover Tube | 27 | | Hinge (Bottom) | 39 | 1163283 | Screw |
| 9 | 2005783 | Cam, Door Closer | | 2006780 | Freezer Side | 40 | 2209709 | Connector, Water Tube |
| 10 | 2209022 | Housing, Water Filter | | 2006779 | Refrigerator Side | 41 | 8281163 | Screw |
| 11 | 2209090 | Clamp, Filter Housing | 28 | 2302876 | Bushing, Adjustable | 42 | | Switch, Rocker Arm |
| | | | 29 | 8533913 | Screw 1/4-20 x 5/8 | | 1118894 | Refrigerator Door Side |
| | | | | | | | 1115373 | Freezer Door Side |
| | | | | | | 43 | 2215938 | Cover, Switch (2) |
| | | | | | | 44 | 487415 | Screw (2) |
| | | | | | | 45 | | Bracket, Switch |
| | | | | | | | 2221097 | Right |
| | | | | | | | 2221096 | Left |
| | | | | | | 46 | 2215612 | Cover, Rear |

FOR ORDERING INFORMATION REFER TO PARTS PRICE LIST

CABINET TRIM PARTS

For Model: EF42DBSS01

(Stainless Steel)



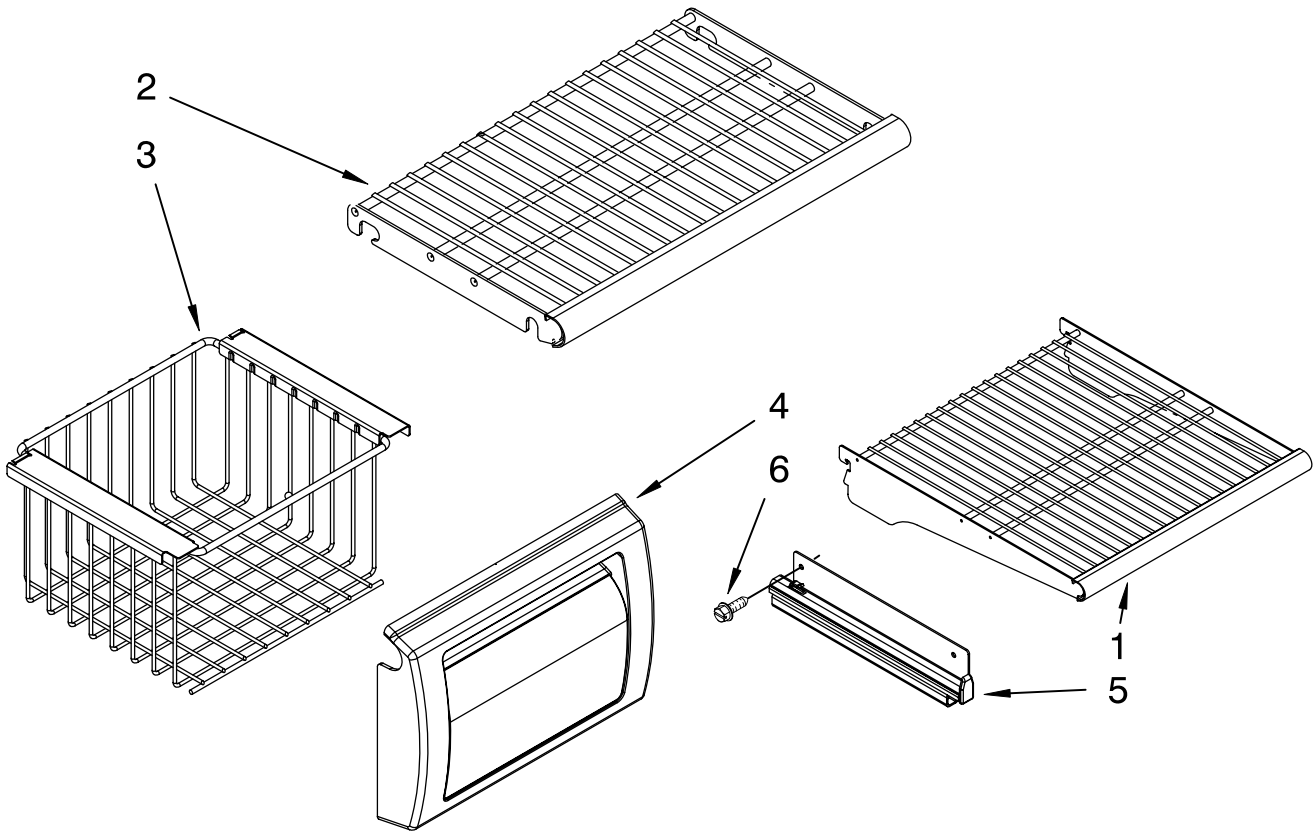
| Illus. No. | Part No. | DESCRIPTION |
|------------|-----------|----------------------------|
| 1 | | Cabinet, Trim (Right Side) |
| | W10132472 | Stainless Steel |
| 2 | | Screw |
| | 1163283 | Stainless Steel |
| 3 | 2316687 | Cabinet, Trim (Bottom) |
| 4 | 486194 | Screw |
| 5 | 2314017 | Cabinet, Trim Top |
| 6 | | Cabinet Trim (Left Side) |
| | W10132541 | Stainless Steel |
| 7 | W10121451 | Nutsert (4) |
| 8 | 2005925 | Seal-Trim, Side |
| 9 | 489464 | Screw |

FOR ORDERING INFORMATION REFER TO PARTS PRICE LIST

FREEZER SHELF PARTS

For Model: EF42DBSS01

(Stainless Steel)



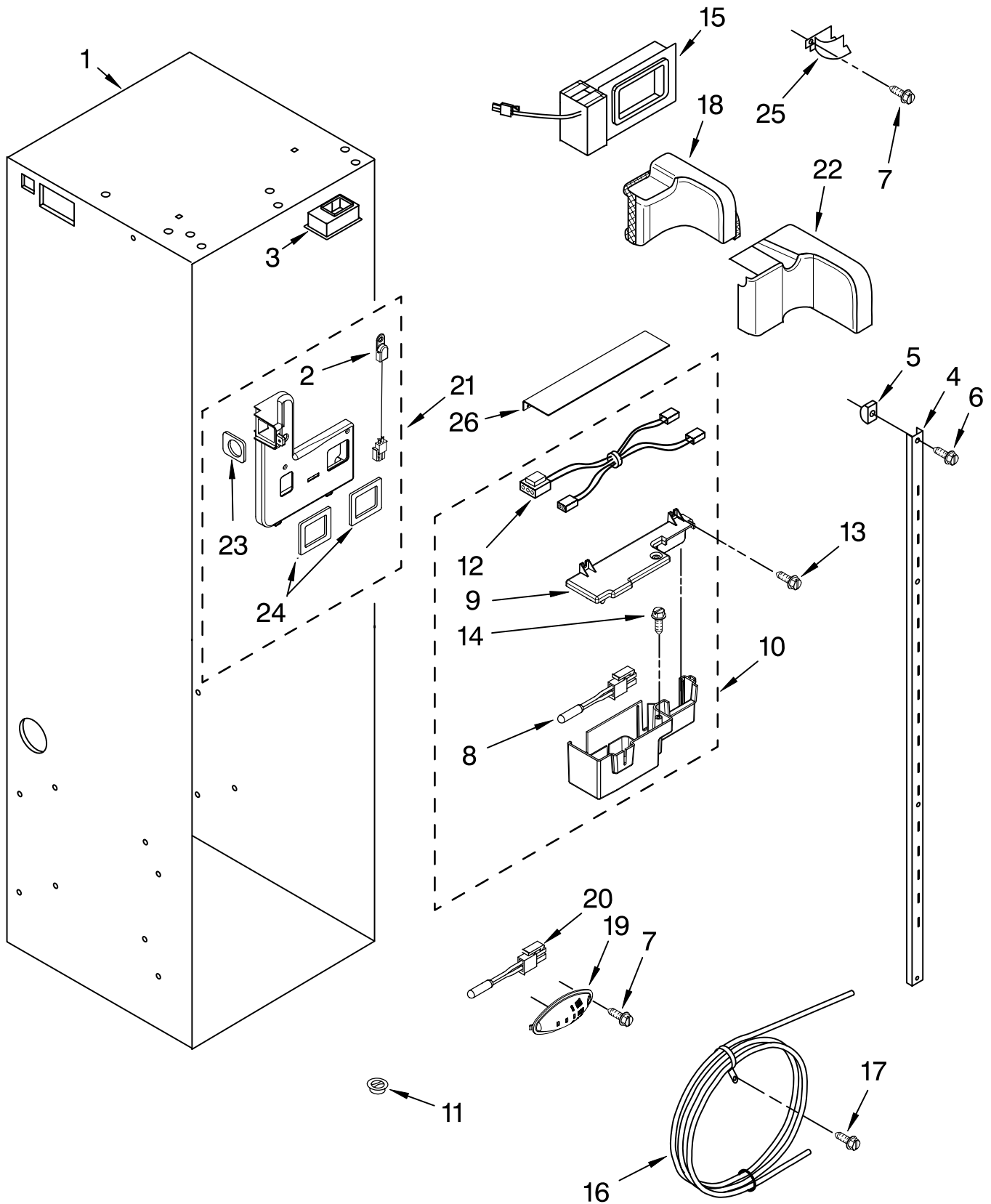
| Illus. No. | Part No. | DESCRIPTION |
|------------|-----------|------------------|
| 1 | W10175905 | Wire, Shelf |
| 2 | 2302883 | Shelf, Fixed (2) |
| 3 | 2259082 | Basket |
| 4 | 2256270 | Front, Basket |
| 5 | | Slide, Basket |
| | 2259317 | Right Side |
| | 2259318 | Left Side |
| 6 | 8533928 | Screw |

FOR ORDERING INFORMATION REFER TO PARTS PRICE LIST

REFRIGERATOR LINER PARTS

For Model: EF42DBSS01

(Stainless Steel)



FOR ORDERING INFORMATION REFER TO PARTS PRICE LIST

REFRIGERATOR LINER PARTS

For Model: EF42DBSS01

(Stainless Steel)

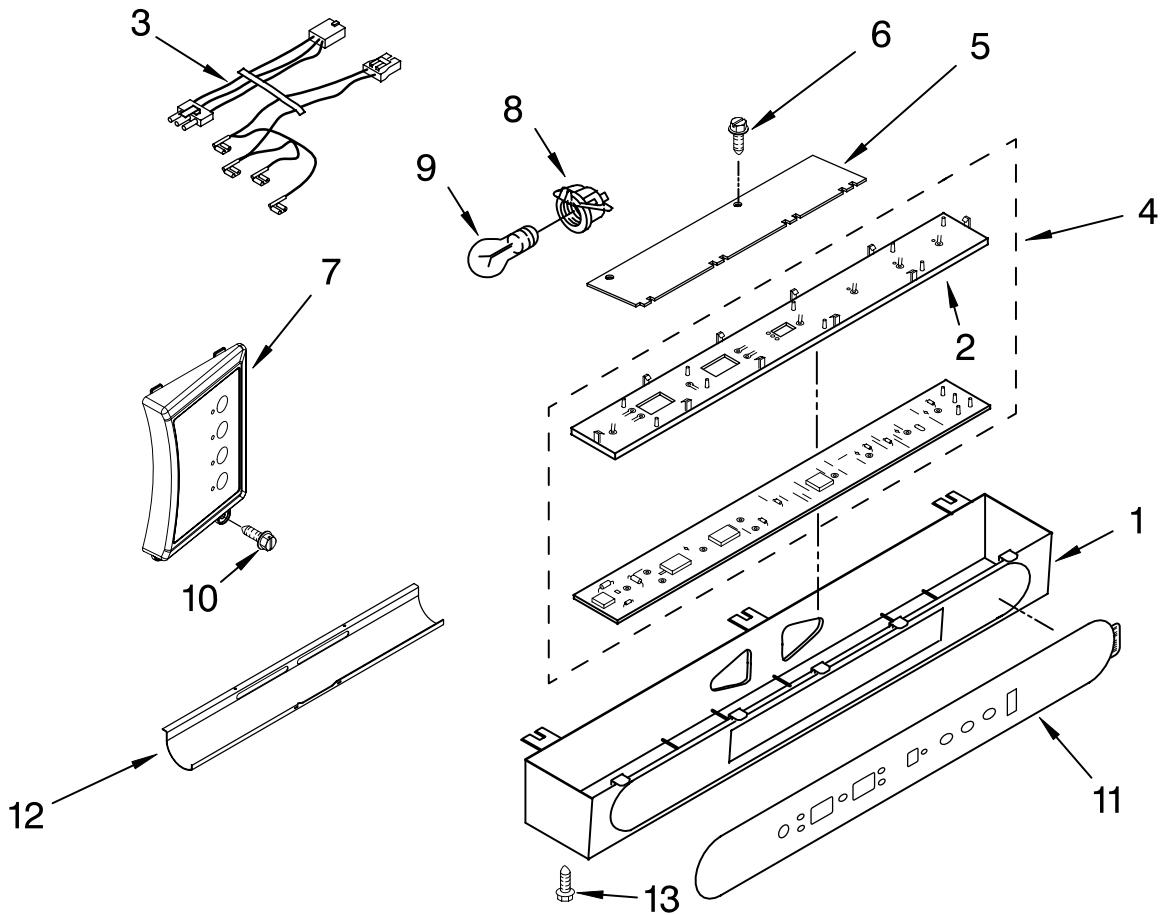
| Illus. No. | Part No. | DESCRIPTION |
|-----------------------|---------------------|--------------------------------|
| 1 | | Liner (Not A Serviceable Part) |
| 2 | 2306010 | Thermistor |
| 3 | 2208970 | Air Duct |
| 4 | 2259077 | Ladder, Shelf (2) |
| 5 | 520965 | Screw Support, Ladder (8) |
| 6 | 2006475 | Screw |
| 7 | 487539 | Screw |
| 8 | 2302937 | Thermistor |
| 9 | 2302986 | Lid, Meat Pan Baffle |
| 10 | W10169528 | Baffle Control Assembly |
| 11 | 2171846 | Release Valve |
| 12 | 2310205 | Jumper, Air Baffle |
| 13 | 488357 | Screw |
| 14 | 486194 | Screw |
| 15 | 2221296 | Air Baffle Assembly |
| 16 | 2327509 | Reservoir |
| 17 | 488280 | Screw |
| 18 | 2309222 | Diffuser Assembly |
| 19 | 2317105 | Cover, Thermistor |
| 20 | 2188820 | Thermistor |
| 21 | 2302992 | Spacer, Air-Baffle |
| 22 | 2309087 | Cover, Diffuser |
| 23 | 2259412 | Seal, Air Duct (Round Hole) |
| 24 | 2259398 | Seal, Air Duct (Square Hole) |
| 25 | 2003577 | Guard, Return Air |
| 26 | W10159487 | Diverter, Crisper Cover |

FOR ORDERING INFORMATION REFER TO PARTS PRICE LIST

CONTROL PANEL PARTS

For Model: EF42DBSS01

(Stainless Steel)



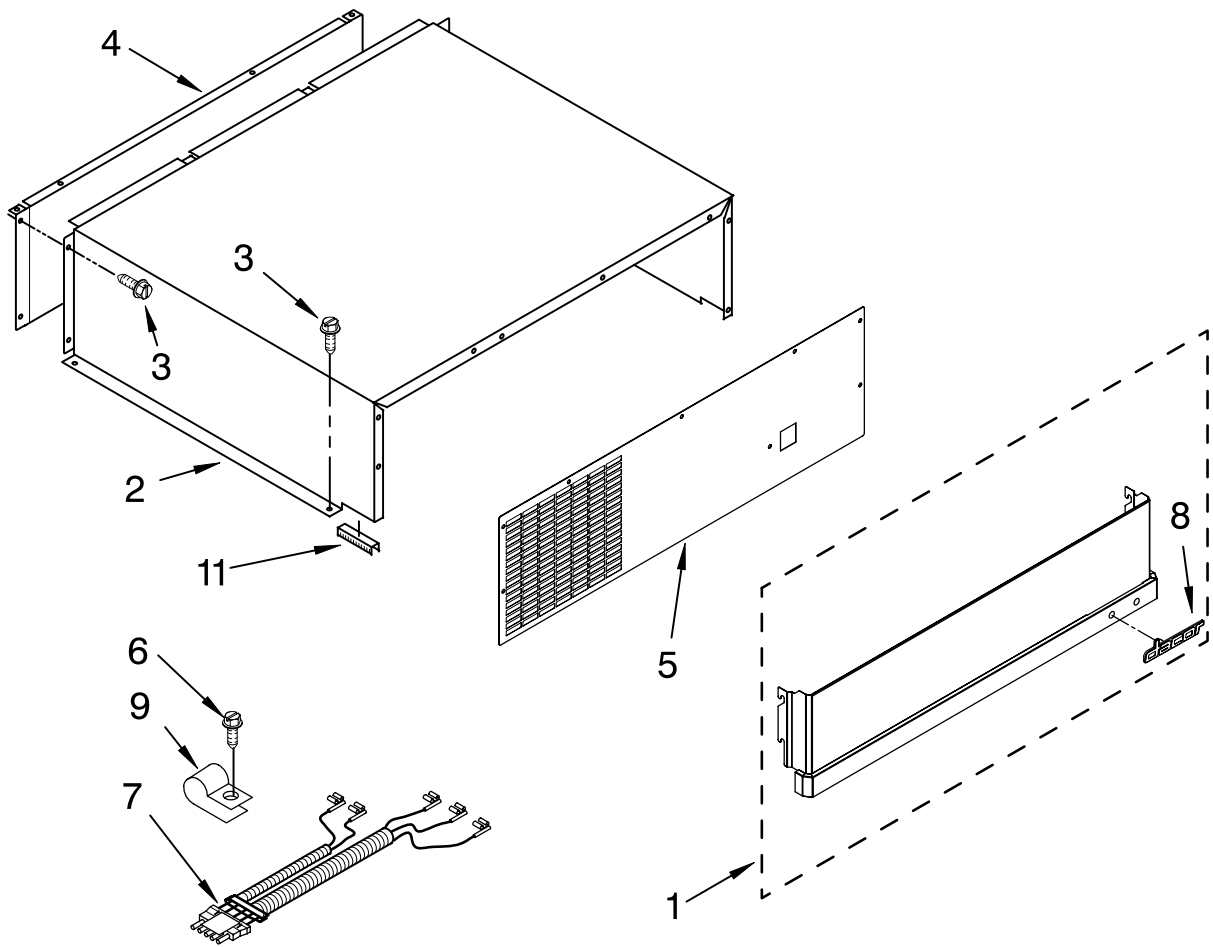
| Illus. No. | Part No. | DESCRIPTION |
|------------|-----------|------------------------------------|
| 1 | 2302772 | Control Box |
| 2 | 2215670 | Insert, Control Box |
| 3 | 2310197 | Wire, Jumper |
| 4 | 106428 | Circuit Board, Housing Control Box |
| 5 | 2221121 | Support, Control Box |
| 6 | 487539 | Screw (2) |
| 7 | W10151210 | Display, Ingredient Care Center |
| 8 | 2162085 | Socket, Light |
| 9 | 2255743 | Light Bulb (2) |
| 10 | 8281185 | Screw |
| 11 | W10165030 | Overlay, Control Box |
| 12 | 2302717 | Shield, Light |
| 13 | 486194 | Screw |

FOR ORDERING INFORMATION REFER TO PARTS PRICE LIST

TOP GRILLE AND UNIT COVER PARTS

For Model: EF42DBSS01

(Stainless Steel)



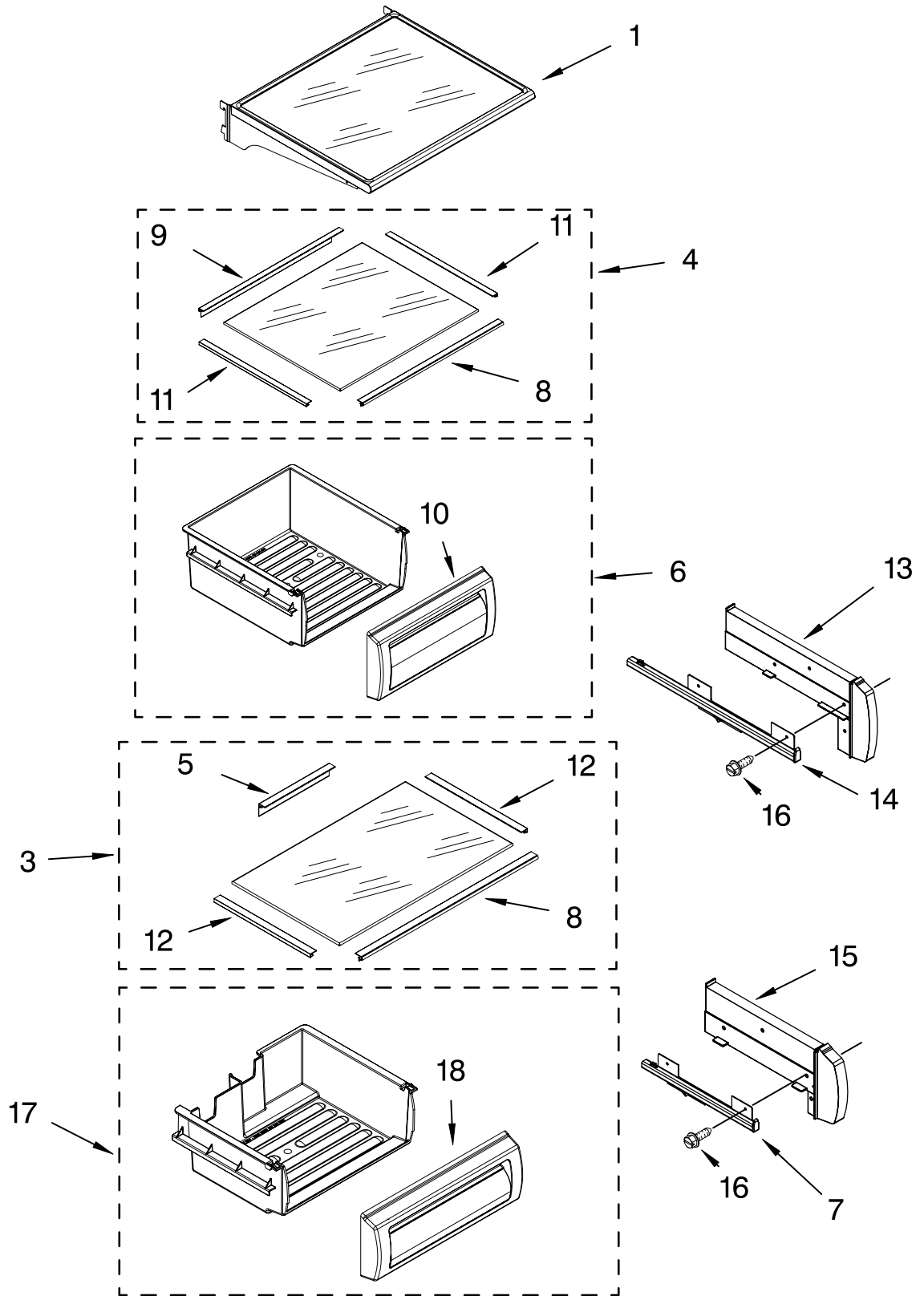
| Illus. No. | Part No. | DESCRIPTION |
|------------|-----------|-------------------------------------|
| 1 | | Panel, Decorative Assembly |
| | W10162620 | Stainless Steel |
| 2 | W10161693 | Cover, Unit |
| 3 | 486194 | Screw |
| 4 | 2256466 | Back Panel |
| 5 | W10121229 | Cover, Unit Front |
| 6 | 487415 | Screw |
| 7 | W10167456 | Wire Assembly RC/FC Light Switch |
| 8 | 12989001 | Badge, Dacor |
| 9 | 489348 | Clamp |
| 11 | 2215910 | Grommet-Flexible |

FOR ORDERING INFORMATION REFER TO PARTS PRICE LIST

REFRIGERATOR SHELF PARTS

For Model: EF42DBSS01

(Stainless Steel)



FOR ORDERING INFORMATION REFER TO PARTS PRICE LIST

REFRIGERATOR SHELF PARTS

For Model: EF42DBSS01

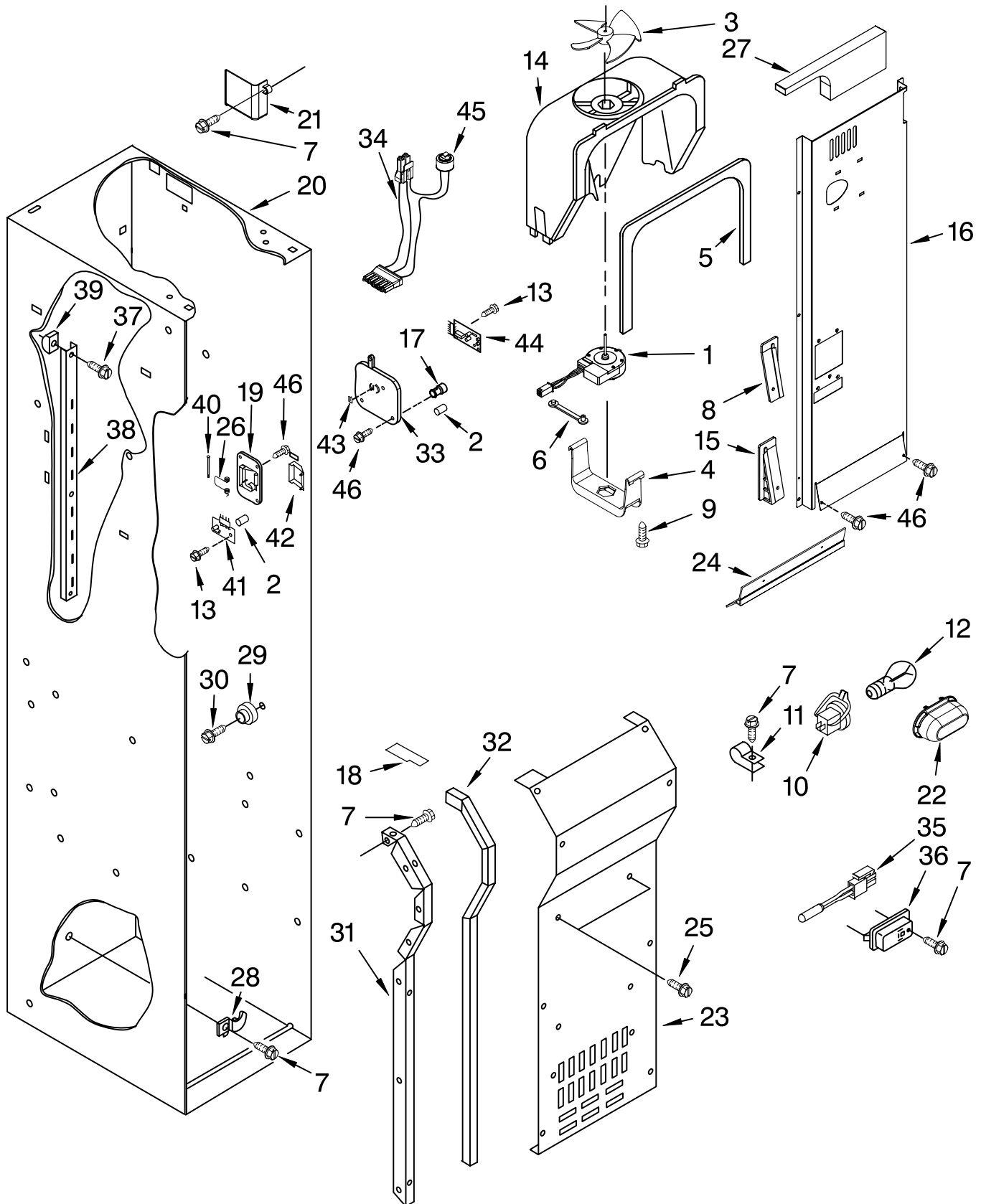
(Stainless Steel)

| Illus. No. | Part No. | DESCRIPTION |
|------------|-----------|------------------------------|
| 1 | W10165103 | Shelf Assembly |
| 3 | W10165091 | Assembly, Meat Pan Cover |
| 4 | 107288 | Assembly, Crisper Cover |
| 5 | 2257582 | Trim, Glass Rear |
| 6 | 2252412 | Crisper Pan (2) |
| 7 | | Slide, Meat Pan |
| | 2302954 | Left Side |
| | 2302955 | Right Side |
| 8 | 2302831 | Trim, Glass Front |
| 9 | 2256254 | Trim, Glass Rear |
| 10 | 2256248 | Front, Crisper Pan |
| 11 | 2252255 | Trim, Glass Side Crisper Pan |
| 12 | 2256250 | Trim, Glass Side Meat Pan |
| 13 | | Spacer, Crisper |
| | 2256222 | Right Side (2) |
| | 2256223 | Left Side (2) |
| 14 | | Slide, Crisper |
| | 2302956 | Right Side |
| | 2302957 | Left Side |
| 15 | | Spacer, Meat Pan |
| | 2256243 | Left Side |
| | 2256244 | Right Side |
| 16 | | Screw |
| | 8533929 | Right Side- (8-18 x 1.375) |
| | 8533928 | Left Side- (8-18 x .750) |
| 17 | 2256369 | Pan Assembly Meat |
| 18 | 2256366 | Front, Meat Pan |

FREEZER LINER AND AIR FLOW PARTS

For Model: EF42DBSS01

(Stainless Steel)



FOR ORDERING INFORMATION REFER TO PARTS PRICE LIST

FREEZER LINER AND AIR FLOW PARTS

For Model: EF42DBSS01

(Stainless Steel)

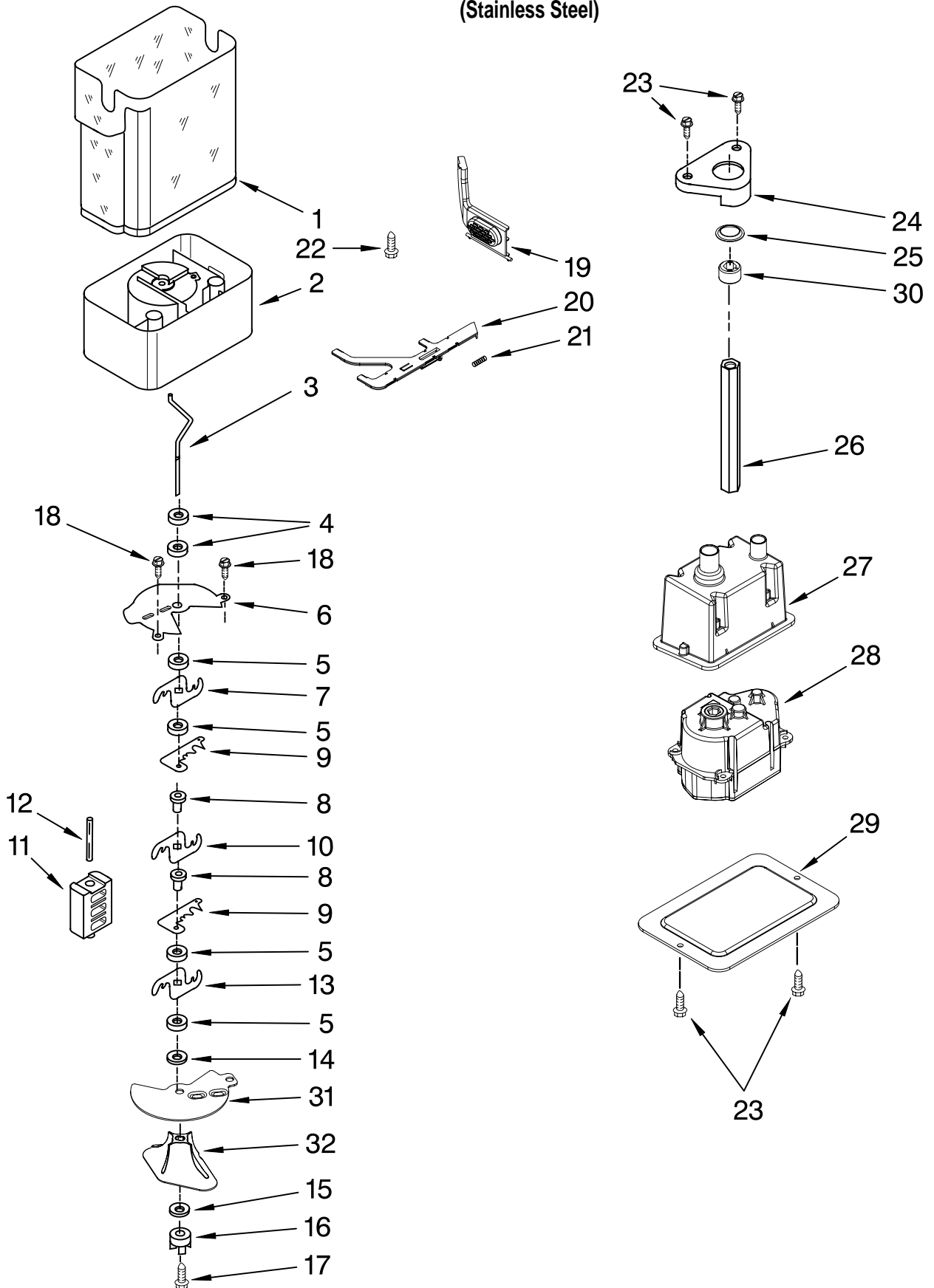
| Illus. No. | Part No. | DESCRIPTION | Illus. No. | Part No. | DESCRIPTION | Illus. No. | Part No. | DESCRIPTION |
|---------------|-------------|------------------------|---------------|-------------|---------------------------|---------------|-------------|---|
| 1 | 2259385 | Fan Motor | 19 | W10151205 | Cover, Emitter | 32 | 2220904 | Gasket (2) |
| 2 | 2198665 | Tube, P.C. Board | 20 | | Liner (Not A | | | Evaporator Cover |
| 3 | 2169142 | Fan Blade | | | Serviceable Part) | 33 | W10151208 | Cover, Receiver |
| 4 | 2223733 | Retainer, Fan Motor | 21 | 2259025 | Cover, Air Outlet | 34 | W10139189 | Harness, Evap Fan (Includes Item 55) |
| 5 | 2302817 | Gasket, Cover | 22 | 2307751 | Light Shield | 35 | 2306010 | Thermistor |
| 6 | 2223986 | Grommet | 23 | W10158003 | Cover, Evaporator | 36 | 2317105 | Cover, Thermistor |
| 7 | 486194 | Screw | 24 | 2302850 | Support, Air Duct | 37 | 2006475 | Screw |
| 8 | 2259464 | Wedge, Air Duct | 25 | 487539 | Screw | 38 | 2259032 | Ladder, Shelf |
| 9 | 488500 | Screw, Ground | 26 | 2198635 | Spring | 39 | 2259445 | Support, Screw |
| 10 | 2223857 | Socket, Light (2) | 27 | 2309283 | Deflector, Air Duct | 40 | 2198634 | Pin |
| 11 | 488937 | Clamp, Nylon | 28 | 1112260 | Support, Evaporator | 41 | W10193840 | P.C. Board Emitter |
| 12 | 2326255 | Light Bulb | 29 | 2196483 | Shelf, Stud (20) | 42 | 2198633 | Flipper |
| 13 | 489214 | Screw | 30 | 8281158 | Screw | 43 | 2315398 | Slide, Icemaker Shut Off |
| 14 | 2182120 | Scroll, Fan | 31 | | Evaporator, Cover Rail | 44 | W10193666 | P.C. Board, Receiver |
| 15 | 2259465 | Wedge, Air Duct | | 2221107 | Left Side | 45 | W10160570 | Defrost, Bi-Metal |
| 16 | 2307774 | Air Duct | | 2259355 | Right Side | 46 | 8281185 | Screw |
| 17 | 2198643 | Lens | | | | | | |
| 18 | | Block, Fan Scroll | | | | | | |
| | 2209480 | Right | | | | | | |
| | 2209066 | Left | | | | | | |

FOR ORDERING INFORMATION REFER TO PARTS PRICE LIST

MOTOR AND ICE CONTAINER PARTS

For Model: EF42DBSS01

(Stainless Steel)



FOR ORDERING INFORMATION REFER TO PARTS PRICE LIST

MOTOR AND ICE CONTAINER PARTS

For Model: EF42DBSS01

(Stainless Steel)

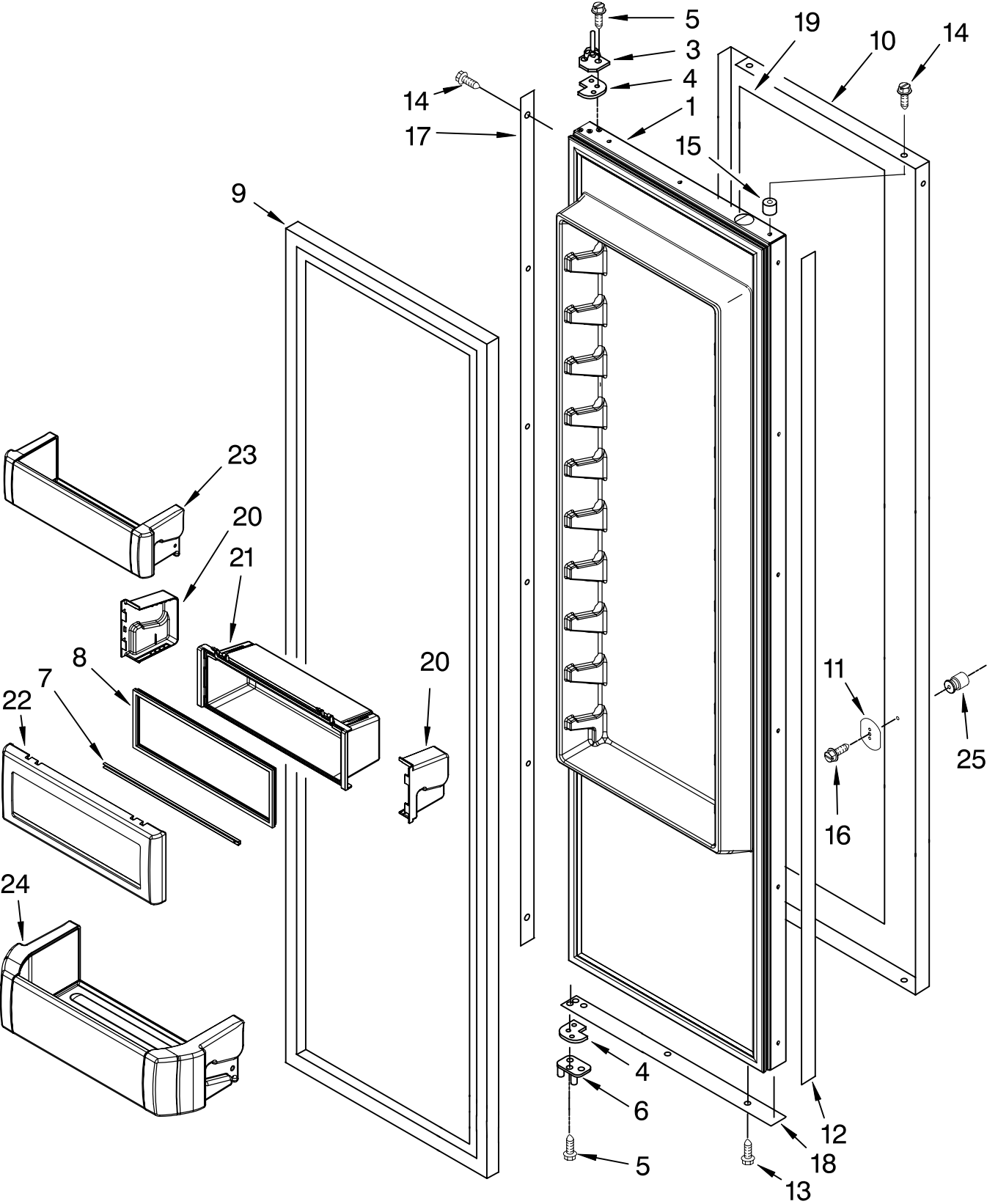
| Illus. | Part | |
|---------------|-------------|--|
| No. | No. | DESCRIPTION |
| 1 | 2222965 | Ice Bin |
| 2 | W10151247 | Crusher Bin |
| 3 | W10140642 | Auger |
| 4 | 2258220 | Washer, Auger |
| 5 | 1119007 | Spacer, Flat (6) |
| 6 | 2317248 | Cover, Crusher |
| 7 | 2257024 | Blade, Rotary |
| 8 | 1119005 | Spacer, Step (2) |
| 9 | 2257020 | Blade, Fixed |
| 10 | 2257023 | Blade, Rotary |
| 11 | 2317239 | Block, Blade |
| 12 | 489229 | Roll Pin |
| 13 | 2257022 | Blade, Rotary |
| 14 | 489235 | Washer, Plain |
| 15 | 2198661 | Washer, Coupling |
| 16 | 2188918 | Coupling, Top |
| 17 | 8281164 | Screw |
| 18 | 3400065 | Screw |
| 19 | 2266800 | Button, Bin |
| 20 | W10134783 | Latch, Bin |
| 21 | 2198608 | Spring, Latch |
| 22 | 2198671 | Screw (2) |
| 23 | 8281163 | Screw |
| 24 | 2188919 | Holder |
| 25 | 2198628 | Seal |
| 26 | 2318030 | Drive Shaft |
| 27 | 2318011 | Enclosure, Motor |
| 28 | 2315546 | Dispenser, Motor |
| 29 | 2318028 | Cover |
| 30 | 2315559 | Sleeve, Coupling |
| 31 | 2317250 | Divider-Chamber |
| 32 | 2317243 | Wiper |
| 33 | 108810 | Wiring Harness Dispenser Motor (not shown) |

FOR ORDERING INFORMATION REFER TO PARTS PRICE LIST

REFRIGERATOR DOOR PARTS

For Model: EF42DBSS01

(Stainless Steel)



FOR ORDERING INFORMATION REFER TO PARTS PRICE LIST

REFRIGERATOR DOOR PARTS

For Model: EF42DBSS01

(Stainless Steel)

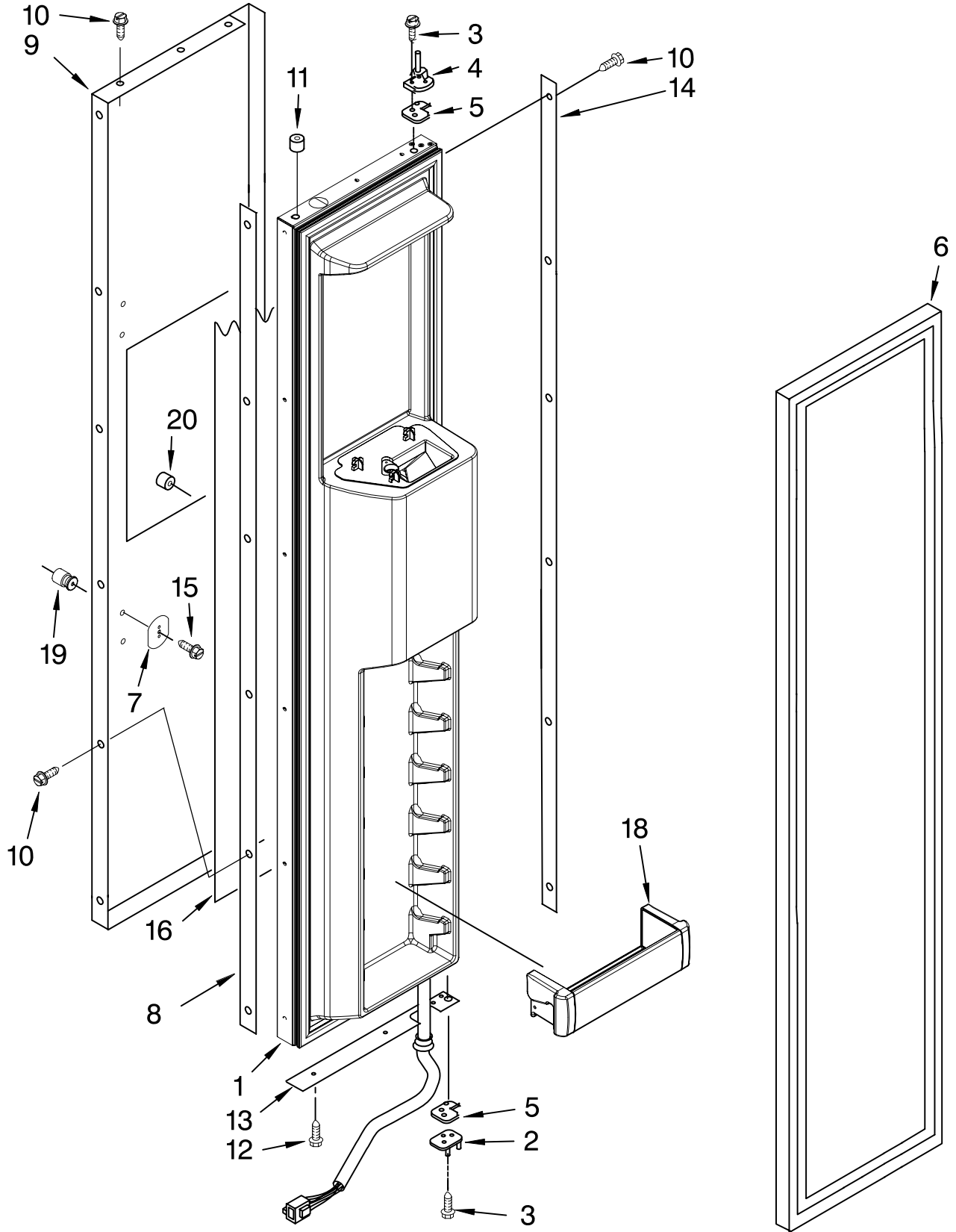
| Illus. No. | Part No. | DESCRIPTION |
|------------|-----------|---|
| 1 | W10193490 | Refrigerator Door Panel (Includes Item #9) |
| 3 | 2266854 | Hinge Assembly, Top |
| 4 | 2316804 | Spacer-Door, Top & Bottom |
| 5 | W10162602 | Screw |
| 6 | 2302878 | Hinge Assembly, Bottom |
| 7 | 2222796 | Rail, Lid |
| 8 | 2222982 | Gasket, Utility Bin |
| 9 | 2222811 | Door Gasket, Magnetic |
| 10 | W10159605 | Stainless Steel Skin, Door |
| 11 | W10127710 | Plate, Door Handle (4) |
| 12 | | Spacer, Door-Skin (Handle Side) |
| | 2309060 | For Stainless Steel Model |
| 13 | 488568 | Screw |
| 14 | | Screw, 8-15 x .500 |
| | 8281250 | Stainless Steel |
| 15 | 2005433 | Spacer, Door-Skin (Top) |
| 16 | 308544 | Screw, Handle |
| 17 | W10142296 | Spacer, Door-Skin (Hinge Side) |
| 18 | 2004934 | Spacer, Door-Skin (Bottom) |
| 19 | 2005326 | Filler, Door |
| 20 | | End Cap |
| | 2222919 | Right Side |
| | 2222920 | Left Side |
| 21 | 2222922 | Bin, Utility Center |
| 22 | 2257616 | Door, Utility Bin |
| 23 | 2222773 | Bin, Door (3) |
| 24 | 2222770 | Bin, Door |
| 25 | W10168981 | Stud, Mounting (4) |

FOR ORDERING INFORMATION REFER TO PARTS PRICE LIST

FREEZER DOOR PARTS

For Model: EF42DBSS01

(Stainless Steel)



FOR ORDERING INFORMATION REFER TO PARTS PRICE LIST

FREEZER DOOR PARTS

For Model: EF42DBSS01

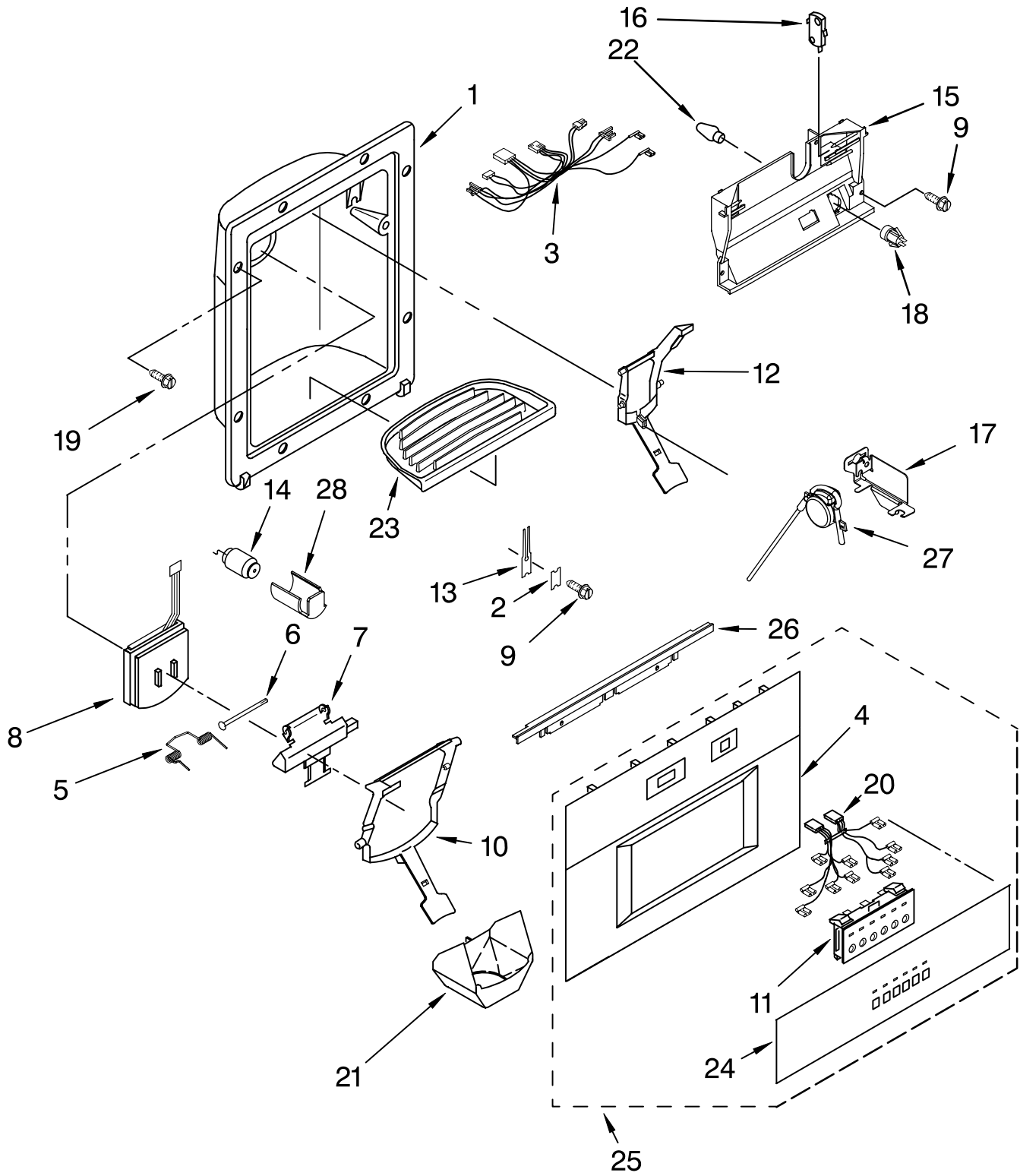
(Stainless Steel)

| Illus. No. | Part No. | DESCRIPTION |
|---------------|-------------|--|
| 1 | | Freezer Door Panel (Includes Item #14) |
| | W10194434 | Stainless |
| 2 | 2302879 | Hinge, Bottom |
| 3 | W10162602 | Screw |
| 4 | 2266854 | Hinge, Top |
| 5 | 2316804 | Spacer–Door, Top & Bottom |
| 6 | 2222814 | Door Gasket, Magnetic |
| 7 | W10127710 | Plate, Door Handle (4) |
| 8 | | Spacer, Door–Skin (Handle Side) |
| | 2309060 | For Stainless Steel Model |
| 9 | | Skin, Door |
| | W10165044 | Stainless Steel |
| 10 | | Screw |
| | 8281250 | Stainless Steel |
| 11 | 2005433 | Spacer, Door–Skin (Top) |
| 12 | 488568 | Screw |
| 13 | 2257385 | Spacer, Door–Skin (Bottom) |
| 14 | W10142296 | Spacer, Door–Skin (Hinge Side) |
| 15 | 308544 | Screw, Handle |
| 16 | | Filler, Door |
| | W10159585 | Top |
| | W10159582 | Bottom |
| 18 | 2222776 | Bin, Door (3) |
| 19 | W10168981 | Stud, Mounting (4) |
| 20 | 2252354 | Spacer |

FOR ORDERING INFORMATION REFER TO PARTS PRICE LIST

DISPENSER FRONT PARTS

For Model: EF42DBSS01
(Stainless Steel)



FOR ORDERING INFORMATION REFER TO PARTS PRICE LIST

DISPENSER FRONT PARTS

For Model: EF42DBSS01

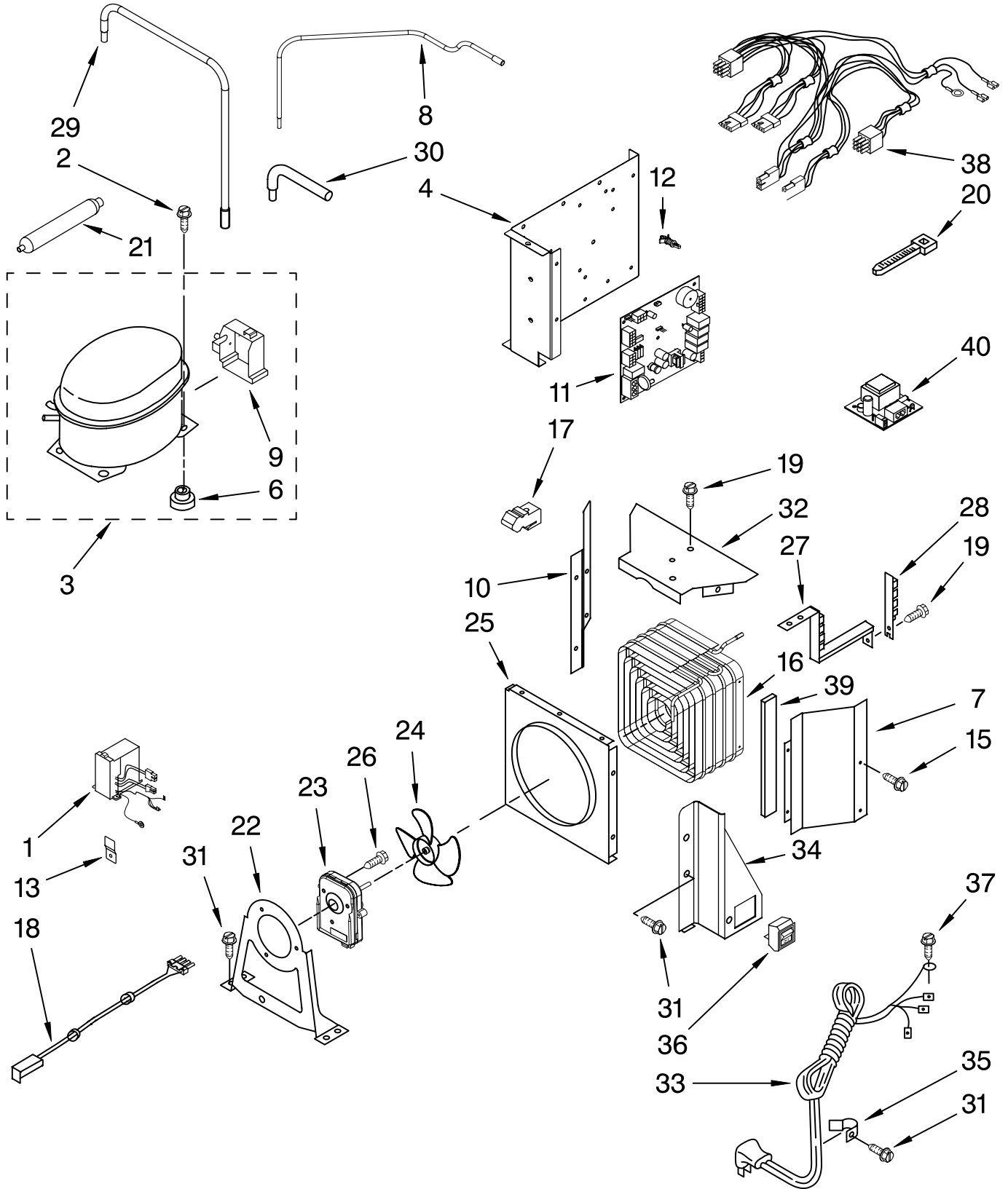
(Stainless Steel)

| Illus. No. | Part No. | DESCRIPTION |
|------------|-----------|---|
| 1 | | Housing, Dispenser (Not Serviced) |
| 2 | 2195051 | Strain Relief |
| 3 | W10139147 | Wire Assembly |
| 4 | | Cover, Dispenser (Not Serviced) |
| 5 | W10224328 | Spring, Torsion |
| 6 | 2196195 | Pin |
| 7 | 2304355 | Ice Door Mechanism |
| 8 | 2180353 | Door, Ice |
| 9 | 489000 | Screw |
| 10 | 2222558 | Lever, Ice Dispenser |
| 11 | | Switch Assembly (Not Available Order #25) |
| 12 | 2222559 | Lever, Water Dispenser |
| 13 | 2194719 | Spring, Lever |
| 14 | 2205686 | Delay Mechanism |
| 15 | 2183771 | Bracket, Control |
| 16 | 2162361 | Switch (2) |
| 17 | 2259209 | Bracket, Anti Drip Valve |
| 18 | 2180200 | Lamp Holder |
| 19 | 488500 | Screw |
| 20 | 2310198 | Harness, Switch |
| 21 | 2180224 | Guide, Ice |
| 22 | 3406124 | Light Bulb |
| 23 | 2302944B | Grill, Overflow |
| 24 | | Overlay, Cover (Not Serviced) |
| 25 | W10165055 | Front Cover Assembly (Includes Items 4,11,20 & 24) |
| 26 | 2306077 | Spacer, Dispenser Cover |
| 27 | 2320669 | Valve, Anti Drip |
| 28 | 2252127 | Sleeve, Delay Mechanism |

UPPER UNIT PARTS

For Model: EF42DBSS01

(Stainless Steel)



FOR ORDERING INFORMATION REFER TO PARTS PRICE LIST

UPPER UNIT PARTS

For Model: EF42DBSS01

(Stainless Steel)

| Illus. No. | Part No. | DESCRIPTION |
|------------|-----------|---|
| 1 | W10133449 | Inverter Box |
| 2 | 489373 | Screw, Compressor Mounting (4) |
| 3 | W10173296 | Compressor (Includes Items 6 & 9)(Also Order 876765 Tube Kit) |
| 4 | 2318087 | Housing, Control Board |
| 6 | 1100826 | Grommet, Mounting |
| 7 | 2309002 | Support, Condenser |
| 8 | 2307693 | Tube, Transiton (Cond/Ht Loop) (Right) |
| 9 | 2215676 | Terminal Cover |
| 10 | 2309001 | Support, Condenser (Left) |
| 11 | W10219463 | Control Board, Gemini |
| 12 | 2203075 | Spacer (5) |
| 13 | 2256328 | Bracket, Inverter Box |
| 15 | 1157158 | Screw |
| 16 | 2307998 | Condenser |
| 17 | 2309431 | Grommet (2) |
| 18 | 2310207 | Wire, Jumper |
| 19 | 489399 | Screw |
| 20 | 2155774 | Wire Tie |
| 21 | W10175593 | Drier |

| Illus. No. | Part No. | DESCRIPTION |
|------------|-----------|------------------------------------|
| 22 | W10136614 | Bracket, Fan Motor (Condenser Fan) |
| 23 | 2188875 | Motor, Fan |
| 24 | W10139483 | Blade, Fan |
| 25 | 2003169 | Orifice, Fan |
| 26 | 8533993 | Screw |
| 27 | 2317031 | Bracket, Vibration (Condenser) |
| 28 | 2317030 | Arm, Vibration (Condenser) |
| 29 | 2307566 | Tube, Transition (Condenser/Drier) |
| 30 | 2194319 | Tube, Process |
| 31 | 486194 | Screw |
| 32 | 2309000 | Cover, Condenser |
| 33 | 2310251 | Service Cord |
| 34 | W10185556 | Bracket, Mounting (Power Switch) |
| 35 | 549193 | Clamp, Cord |
| 36 | 2266802 | Switch, Power Disconnect |
| 37 | 487294 | Screw, Ground |

| Illus. No. | Part No. | DESCRIPTION |
|------------|-----------|--------------------------------------|
| 38 | W10178883 | Wiring Harness, Unit Compartment |
| 39 | 2309432 | Gasket, Condenser |
| 40 | 2259350 | Power Supply, Ingredient Care Center |

Following Parts Not Illustrated and Optional Parts Not Included

| | |
|--------|-----------------------|
| 978025 | Valve, Access (1/4") |
| 978026 | Valve, Access (5/16") |
| 978027 | Valve, Access (3/8") |
| 978028 | Valve, Access (1/2") |
| 978029 | Valve, Access (5/8") |
| 978030 | Valve, Access (3/4") |
| 876764 | Valve, Access (3/16") |

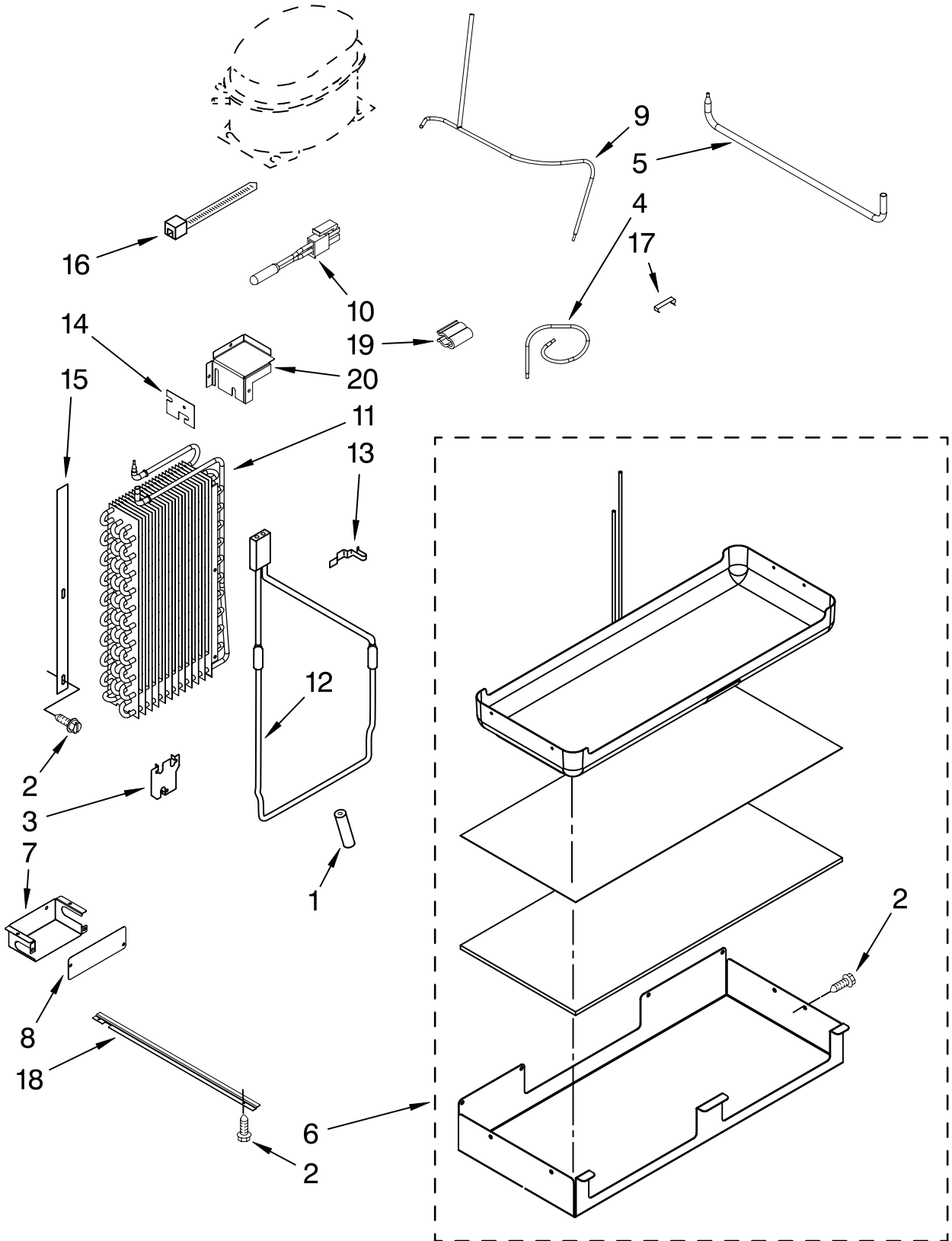
REFRIGERANT CHARGE

7.50 oz.
(R-134A)

LOWER UNIT AND TUBE PARTS

For Model: EF42DBSS01

(Stainless Steel)



FOR ORDERING INFORMATION REFER TO PARTS PRICE LIST

LOWER UNIT AND TUBE PARTS

For Model: EF42DBSS01

(Stainless Steel)

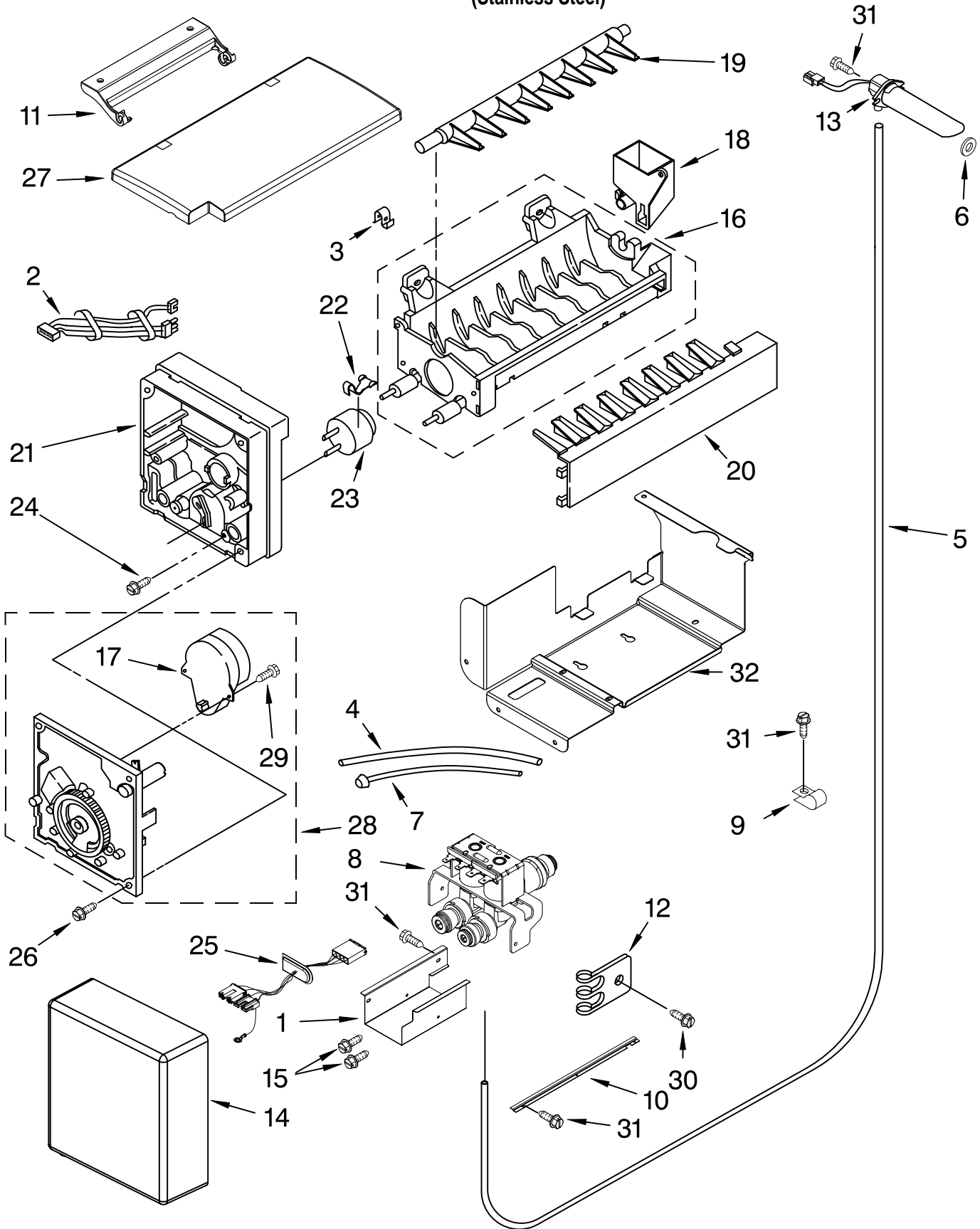
| Illus. No. | Part No. | DESCRIPTION |
|-------------------|-----------------|-------------------------------------|
| 1 | 2215648 | Dampener |
| 2 | 486194 | Screw |
| 3 | W10157752 | Bracket |
| 4 | 2309076 | Suction Tube |
| 5 | 2309070 | Tube, Connect (Drier/Restrictor) |
| 6 | W10196999 | Drain Pan Assy. |
| 7 | W10151288 | Cover, Wiring |
| 8 | W10153595 | Cover, Box |
| 9 | W10121371 | Tube, Discharge |
| 10 | 2188820 | Thermistor |
| 11 | W10205101 | Evaporator |
| 12 | W10140161 | Heater, Defrost |
| 13 | 1113048 | Clamp, Heater (2) |
| 14 | W10139908 | Cover Seal, Evaporator Tubes |
| 15 | 2220832 | Gasket, Evaporator |
| 16 | 2155774 | Wire Tie |
| 17 | W10169509 | Clip, Heat Exchanger |
| 18 | 2320554 | Support, Drain Pan |
| 19 | 9791833 | Clip, Thermistor |
| 20 | W10160981 | Bracket Assembly, Air Return |

FOR ORDERING INFORMATION REFER TO PARTS PRICE LIST

ICEMAKER PARTS

For Model: EF42DBSS01

(Stainless Steel)



FOR ORDERING INFORMATION REFER TO PARTS PRICE LIST

ICEMAKER PARTS

For Model: EF42DBSS01

(Stainless Steel)

| Illus. No. | Part No. | DESCRIPTION | Illus. No. | Part No. | DESCRIPTION | Illus. No. | Part No. | DESCRIPTION |
|------------|-----------|---|------------|-----------|---|---|-----------|--|
| 1 | W10129655 | Shield, Valve | 17 | | Motor, (Not Serviceable Order Item 28) | 26 | 489276 | Screw |
| 2 | 2310191 | Wire Assembly, Icemaker | 18 | 628356 | Cup-Water Fill | 27 | W10151255 | Cover, Icemaker |
| 3 | 628379 | Clip, Fuse | 19 | 627843 | Ejector | 28 | 626680 | Module Assembly (Includes Items 17 & 29) |
| 4 | 2325170 | Tube, Filter Inlet | 20 | 2198598 | Ice Striper | 29 | 489136 | Screw (2) |
| 5 | 2320658 | Water Tube | 21 | 2194712 | Support | 30 | 489464 | Screw |
| 6 | 2302758 | Seal Gasket | 22 | 2315522 | Retainer | 31 | 486194 | Screw |
| 7 | 2317912 | Tube, Filter Outlet | | | Thermostat (2) | 32 | 2252228 | Bracket, Icemaker Mounting |
| 8 | 2317883 | Valve, Solenoid | 23 | 628397 | Thermostat (Also Order 542639 Cement Alumilastic) | 100 | W10190968 | Complete Icemaker Assembly |
| 9 | 2221070 | Clamp, Tube | 24 | 8533917 | Screw | <hr/> Following Parts Not Illustrated (Optional Parts Only) | | |
| 10 | 2320559 | Support, Valve | 25 | W10139193 | Wire Assembly, Water Valve | | | |
| 11 | 2198641 | Bracket, Icemaker Cover | | | | | | 8537055 Cleaner, Stainless Steel |
| 12 | 2305274 | Clamp, Nylon Valve | | | | | | W10151245 Ice Container Assembly |
| 13 | 2302756 | Tube, Water Inlet | | | | | | |
| 14 | 2257538 | Cover | | | | | | |
| 15 | 488500 | Screw | | | | | | |
| 16 | W10122527 | Mold & Heater (Also Order 542638 Silicone Grease) | | | | | | |

FOR ORDERING INFORMATION REFER TO PARTS PRICE LIST