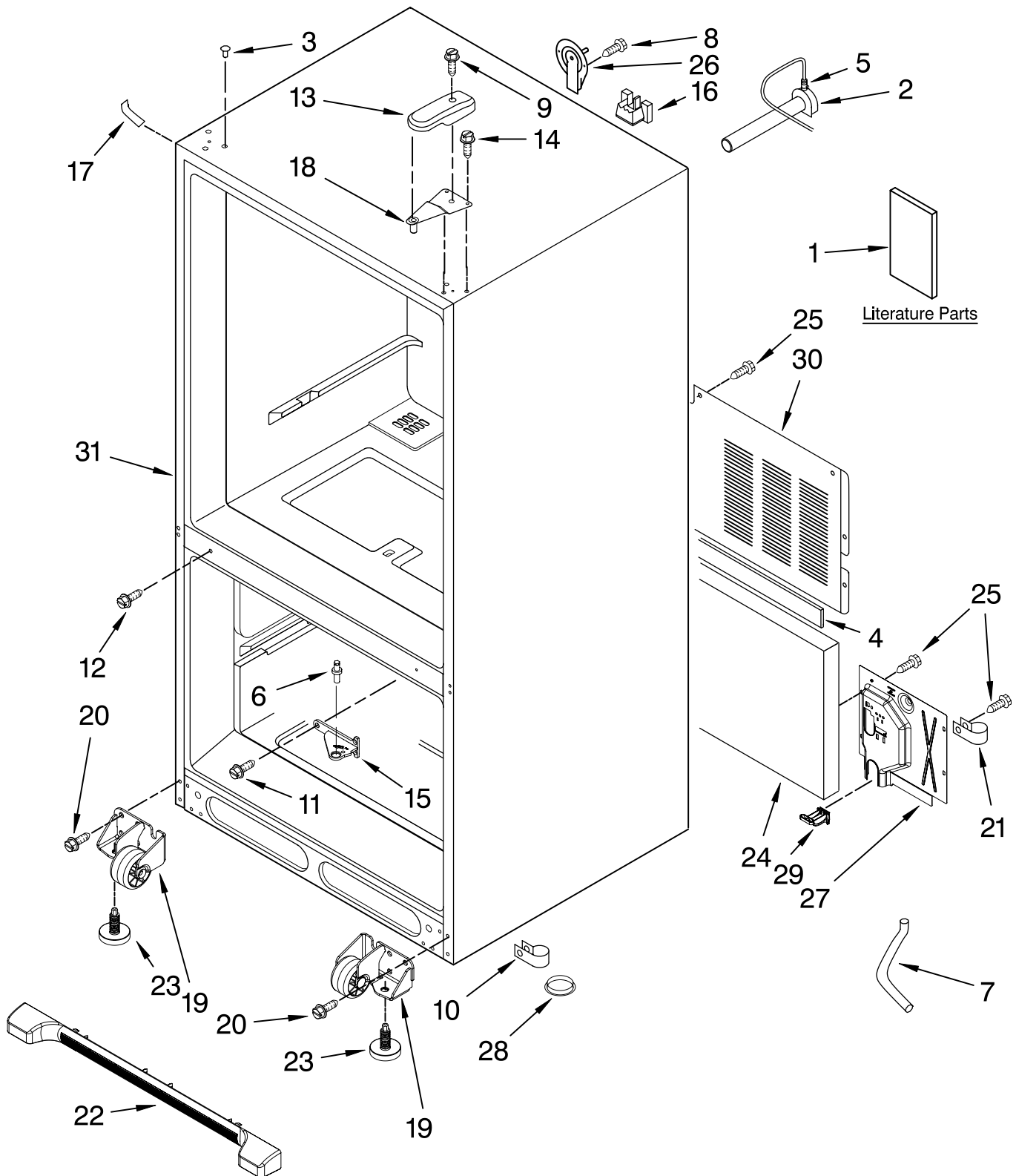


CABINET PARTS

REFRIGERATOR

For Models: EF36LNFSSPA, EF36RNFSSPA
(Stainless) (Stainless)

The model(s) number shown may be different than what is printed on the model/serial tag of your product. The number(s) shown combine the model number and the first two digits of the serial number from the product tag.



FOR ORDERING INFORMATION REFER TO PARTS PRICE LIST

CABINET PARTS

For Models: EF36LNFSSPA, EF36RNFSSPA

(Stainless) (Stainless)

The model(s) number shown may be different than what is printed on the model/serial tag of your product. The number(s) shown combine the model number and the first two digits of the serial number from the product tag.

Illus. No.	Part No.	DESCRIPTION	Illus. No.	Part No.	DESCRIPTION	Illus. No.	Part No.	DESCRIPTION
1		Literature Parts	11	67006380	Screw (3)	20	67006564	Screw (8)
	67006616	Tech Sheet	12	67006400	Screw (3)	21	M0108105	Clamp, Tube
	W10171467	Owners Manual	13		Cover, Hinge	22		Grille, Toe
	W10187132	Guide, Energy		67001012	Black		W10131134	Black
2	W10137519	Elbow, Fill Tube	14	67006303	Screw (3)	23	W10141622	Brake, Foot
3		Plug Button (3)	15		Hinge, Center	24	67003796	Insulation, Sound
	M0310731	Black		67007043	Black	25	67006425	Screw (10)
4	B5759649	Gasket	16	67004092	Block, Fill Tube	26	67003331	Cover, Water Line
5	M0114003	Clip	17		Cover, Corner (2)	27	67004098	Cover, Water Valve
6	67006642	Pin, Center Hinge		67003485	Black	28	A3076901	Plug, Button
7	W10164397	Tube, Drain	18	12566604ED	Hinge, Top	29	67004101	Sweep, Dual Tube
8	67006287	Screw	19		Roller Assy. (Front)	30	67006101	Cover, Unit
9	67006521	Screw		W10130459	Right	31		Cabinet (Not A Servicable Part)
10	67001067	Clip, Drain Tube		W10130460	Left			

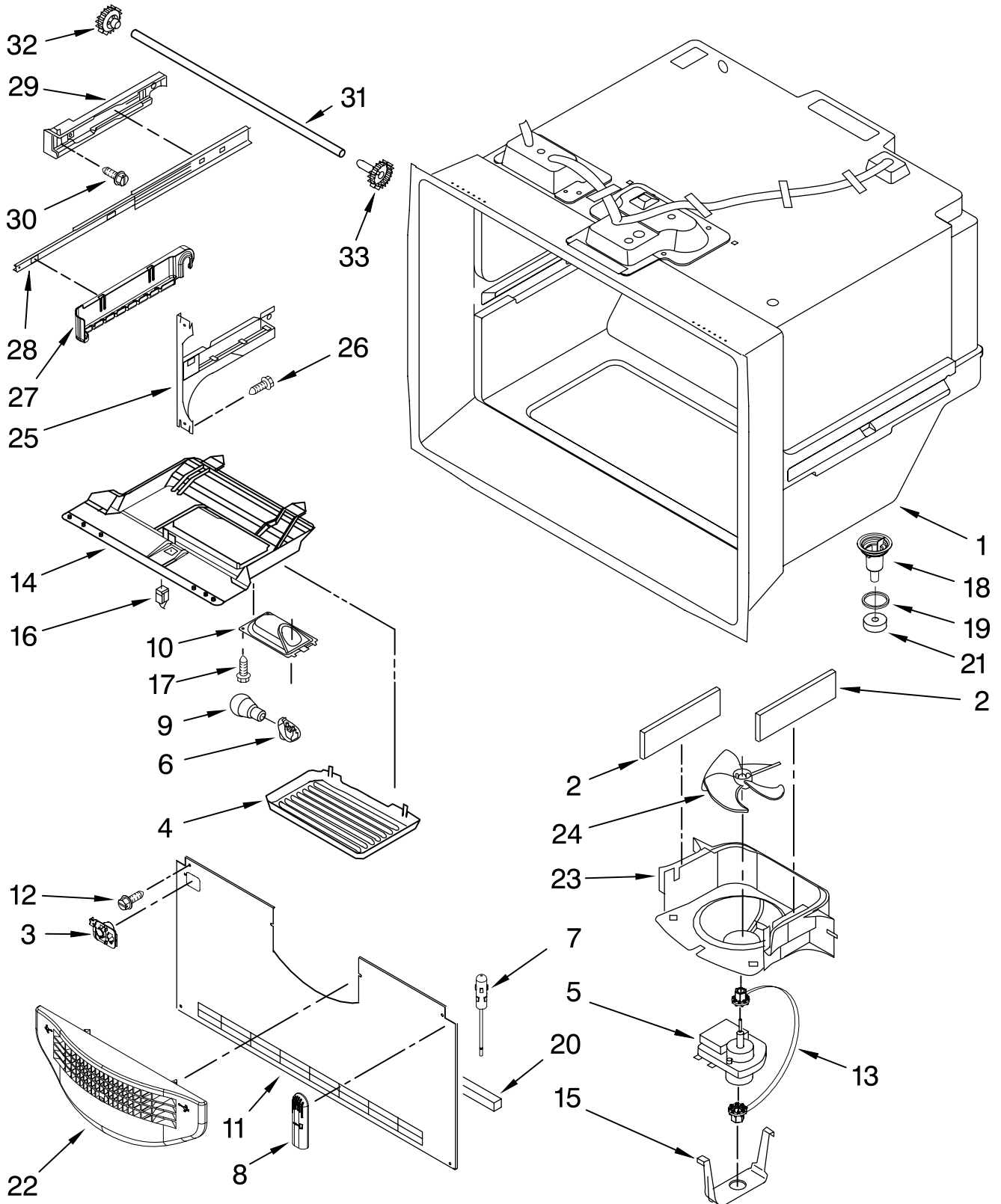
FOR ORDERING INFORMATION REFER TO PARTS PRICE LIST

FREEZER LINER PARTS

For Models: EF36LNFSSPA, EF36RNFSSPA

(Stainless) (Stainless)

The model(s) number shown may be different than what is printed on the model/serial tag of your product. The number(s) shown combine the model number and the first two digits of the serial number from the product tag.



FOR ORDERING INFORMATION REFER TO PARTS PRICE LIST

FREEZER LINER PARTS

For Models: EF36LNFSSPA, EF36RNFSSPA

(Stainless) (Stainless)

The model(s) number shown may be different than what is printed on the model/serial tag of your product. The number(s) shown combine the model number and the first two digits of the serial number from the product tag.

Illus. No.	Part No.	DESCRIPTION	Illus. No.	Part No.	DESCRIPTION	Illus. No.	Part No.	DESCRIPTION
1		Liner (Not A Serviceable Part)	17	67006530	Screw	28	W10180420	Slide, Drawer (2)
2	67001291	Gasket, Foam	18	D7753903	Funnel, Drain	29		Adapter, Slide
3	67005874	Guide, Fill Tube	19	M0500703	Seal		67004971	Left
4	67003905	Cover, Light	20	67002492	Gasket, Bottom		67004972	Right
5	67003636	Motor, Evaporator	21	B8381501	Gasket	30	67006406	Screw (6)
6	Y12570701	Socket, Light	22	W10175909	Grille, Fz Air	31	67004017	Shaft
7	12002355	Thermistor	23	W10167023	Shroud, Evap Fan	32	12002497	Gear (Left) (Includes Item 33)
8	67003924	Cover, Thermistor	24	2169142	Blade, Fan (Evaporator)	33	12002497	Gear (Right) (Includes Item 32)
9	A0282812	Bulb, Light	25		Bracket, Door			
10	67001035	Housing, Light		W10119064	Left			
11	67005873	Cover, Evaporator		W10119295	Right			
12	67006425	Screw (4)	26	67006473	Screw (8)			
13	W10121318	Grommet	27		Cradle, Basket			
14	67003906	Housing, Light		67004728	Left			
15	W10167028	Clip, Evap Motor		67004729	Right			
16	67005653	Switch, Light						

Following Parts Not Illustrated

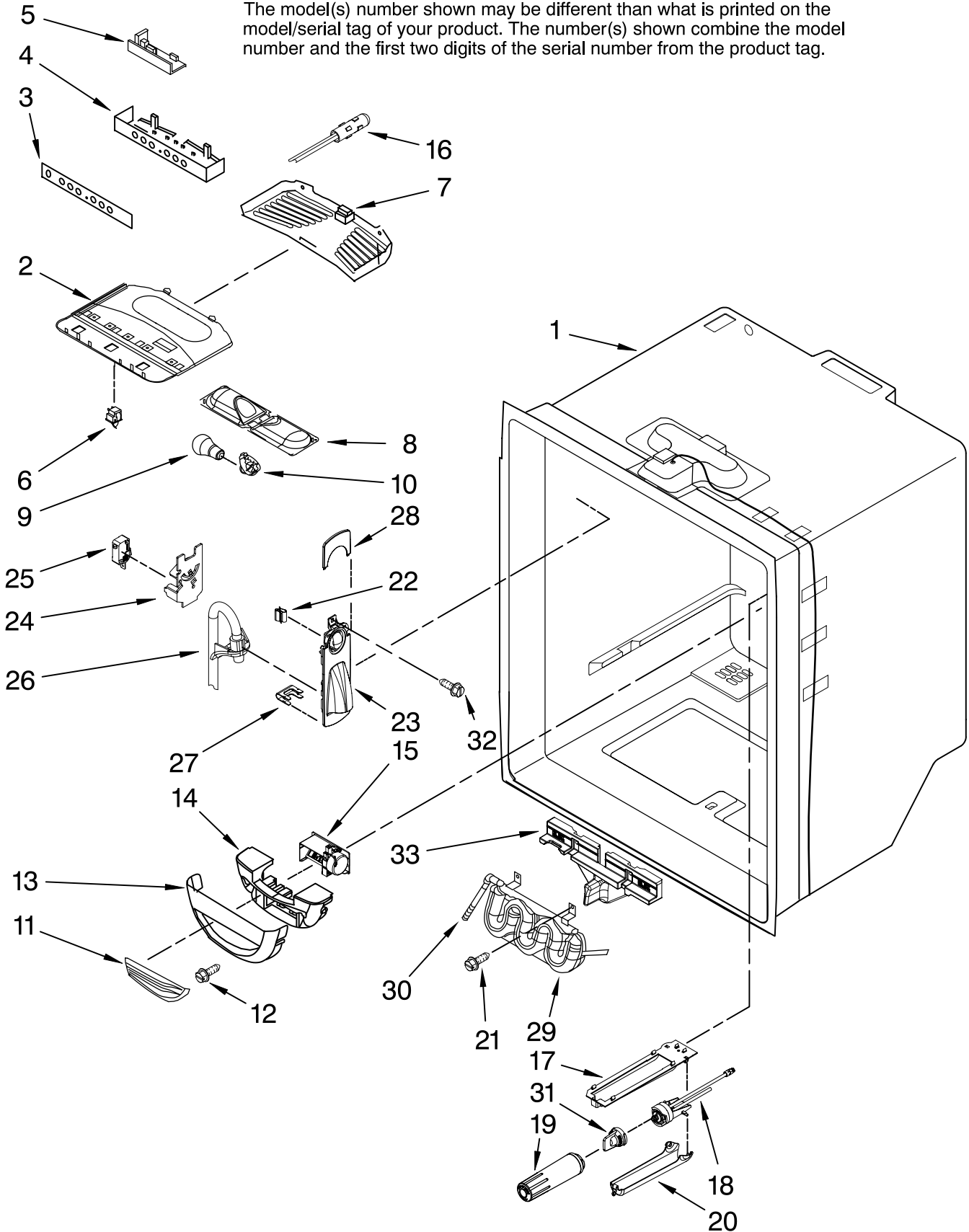
67006095 Harness, Fz Module

REFRIGERATOR LINER PARTS

For Models: EF36LNFSSPA, EF36RNFSSPA

(Stainless) (Stainless)

The model(s) number shown may be different than what is printed on the model/serial tag of your product. The number(s) shown combine the model number and the first two digits of the serial number from the product tag.



FOR ORDERING INFORMATION REFER TO PARTS PRICE LIST

REFRIGERATOR LINER PARTS

For Models: EF36LNFSSPA, EF36RNFSSPA

(Stainless) (Stainless)

The model(s) number shown may be different than what is printed on the model/serial tag of your product. The number(s) shown combine the model number and the first two digits of the serial number from the product tag.

Illus. No.	Part No.	DESCRIPTION	Illus. No.	Part No.	DESCRIPTION	Illus. No.	Part No.	DESCRIPTION
1		Liner (Not A Serviceable Part)	14	67006604	Insulation	28	67006909	Facade, Disp (Top)
2	Y67003896	Module, Light	15	W10127429	Control, Damper	29	W10153959	Tank, Water
3	67006910	Keyboard	16	12002355	Thermistor	30	61006182	Union
4	W10185585	Module, Control	17	67001668	Plate	31	61003146	Plug, Bypass
5	67005397	Board, Control	18	67006524	Head, Water Filter	32	67006400	Screw
6	C3680310	Switch, Light (1)	19	67006470	Filter, Water	33	W10163893	Insulation, Water Tank
7	67003897	Cover, Light	20	12568001	Cover, Filter			
8	67003901	Housing, Light	21	67006415	Screw (2)			
9	A0282812	Bulb, Light (2)	22	B8390302	Clip, Facade (2)			
10	Y12570701	Socket, Light (2)	23	W10158503	Facade, Disp.	Following Parts Not Illustrated		
11	67003900	Insert, Damper Cover	24	67002742	Plate, Switch			
12	67006602	Screw	25	12575501	Switch, Limit		67005644	Harness, Control (Refrigerator)
13	67003899	Cover, Damper	26	67003728	Guide, Waterline			
			27	67002816	Clip, Waterline			

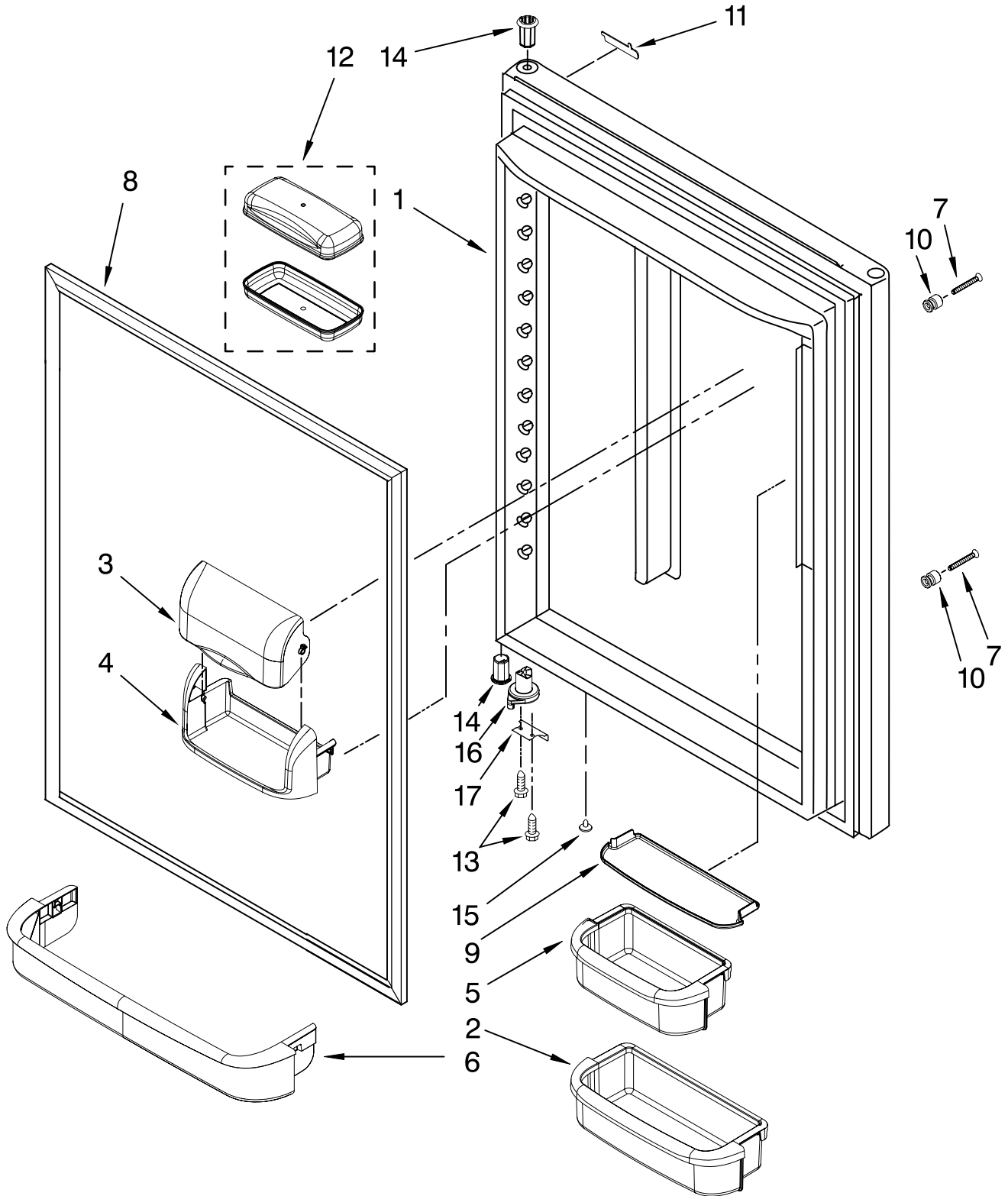
FOR ORDERING INFORMATION REFER TO PARTS PRICE LIST

REFRIGERATOR DOOR PARTS

For Models: EF36LNFSSPA, EF36RNFSSPA

(Stainless) (Stainless)

The model(s) number shown may be different than what is printed on the model/serial tag of your product. The number(s) shown combine the model number and the first two digits of the serial number from the product tag.



FOR ORDERING INFORMATION REFER TO PARTS PRICE LIST

REFRIGERATOR DOOR PARTS

For Models: EF36LNFSSPA, EF36RNFSSPA

(Stainless) (Stainless)

The model(s) number shown may be different than what is printed on the model/serial tag of your product. The number(s) shown combine the model number and the first two digits of the serial number from the product tag.

Illus. No.	Part No.	DESCRIPTION	Illus. No.	Part No.	DESCRIPTION	Illus. No.	Part No.	DESCRIPTION
1		Door, Refrigerator	6	67002477	Retainer, Door	13	67006287	Screw
	W10187133	Stainless (For EF36LNFSSPA)	7	W10133608	Screw	14		Bushing, Door
	W10187135	Stainless (For EF36RNFSSPA)	8		Gasket, Door		67004978	Black
2	67003776	Bin, Shelf (2) (Large)	9	W10133881	Black Gripper	15	67004838	Plug, Button (Black)
3	67003637	Door, Dairy		67006906	Medium Bucket	16	67004838	Closure, Door
4	67001279	Tray, Dairy		67007055	Large Bucket		67003639	Black
5	67003775	Bin, Shelf (1) (Medium)	10	67006109	Mount, Handle	17		Stop, Door
			11	67006172	Nameplate		67003780	Black
			12	67006229	Dish Assy., Butter			

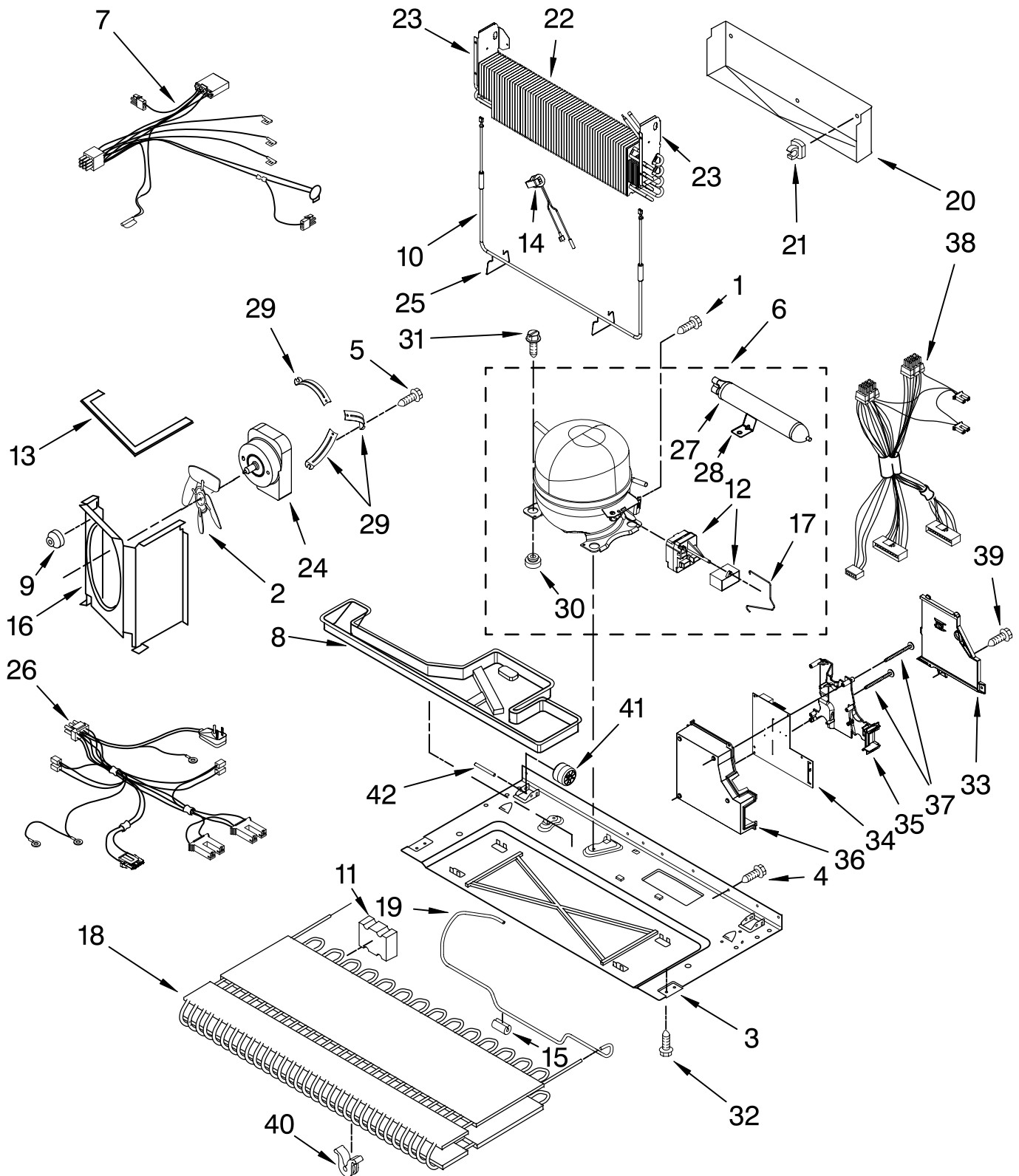
FOR ORDERING INFORMATION REFER TO PARTS PRICE LIST

UNIT PARTS

For Models: EF36LNFSSPA, EF36RNFSSPA

(Stainless) (Stainless)

The model(s) number shown may be different than what is printed on the model/serial tag of your product. The number(s) shown combine the model number and the first two digits of the serial number from the product tag.



FOR ORDERING INFORMATION REFER TO PARTS PRICE LIST

UNIT PARTS

For Models: EF36LNFSSPA, EF36RNFSSPA

(Stainless) (Stainless)

The model(s) number shown may be different than what is printed on the model/serial tag of your product. The number(s) shown combine the model number and the first two digits of the serial number from the product tag.

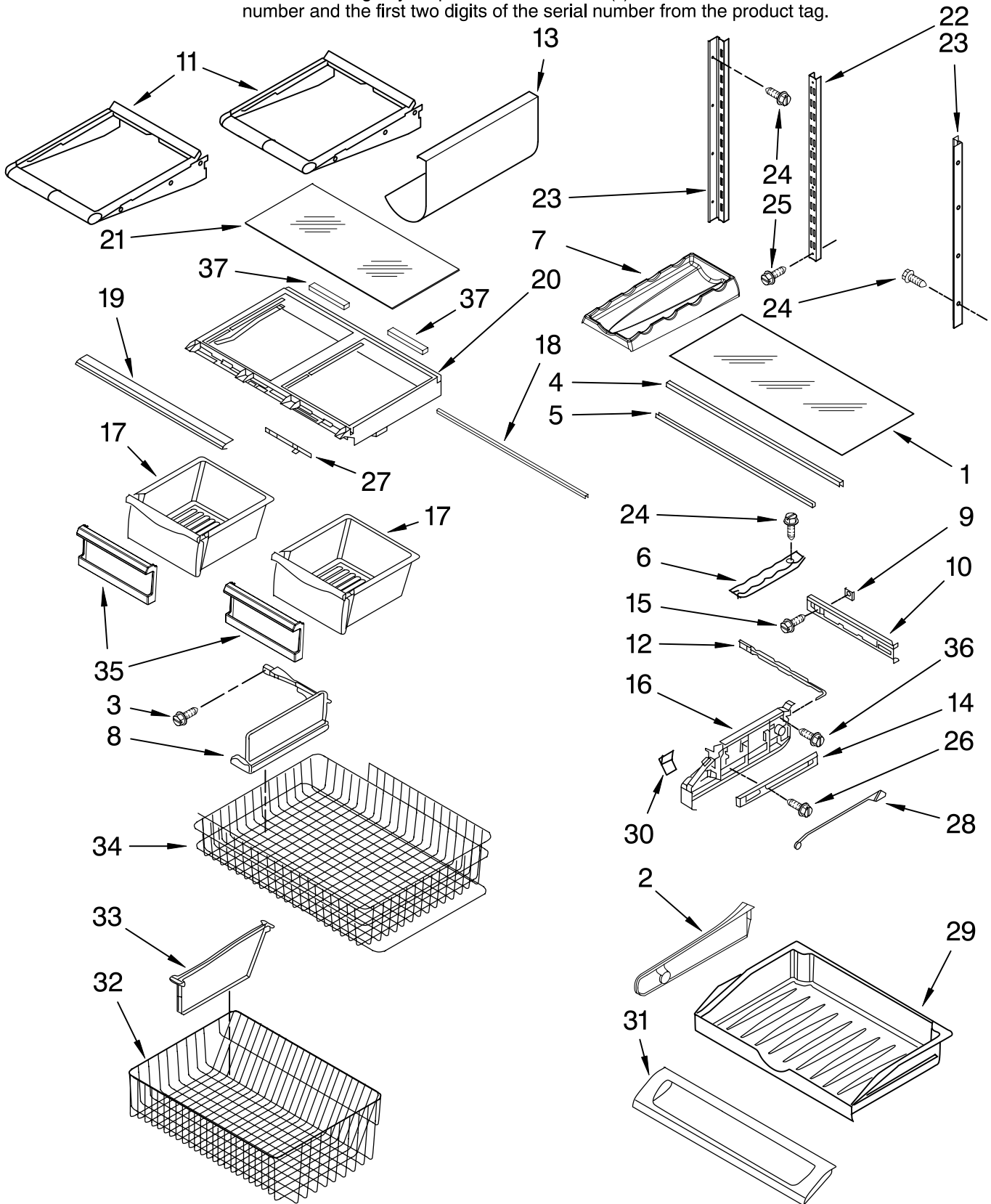
Illus. No.	Part No.	DESCRIPTION	Illus. No.	Part No.	DESCRIPTION	Illus. No.	Part No.	DESCRIPTION
1	67006433	Screw	23		Dam			
2	W10162928	Blade, Fan		67001084	Right Side			
3	67005889	Basepan		67001083	Left Side			
4	67006425	Screw (2)	24	67004432	Motor, Fan			
5	67004954	Screw (3)	25	10428101	Clip, Heater			
6	12002634	Compressor Kit (Includes items 12,17,27, & 30)	26	13060201	Harness, Unit with Power Cord			
7	W10119857	Harness, Evap Heater	27	2317845	Drier			
8	67007175	Pan, Drain	28	10547003	Clip, Drier			
9	61004743	Grommet (3)	29	67004953	Bracket, Fan Motor			
10	67002493	Heater, Defrost	30	67003493	Grommet (4)			
11	67005491	Block, Condenser	31	67006432	Screw (3)			
12	67005560	Relay Assy. (Incl. Capacitor)	32	67006573	Screw (4)			
13	61003210	Gasket	33	67005421	Cover, HV Box			
14	W10165425	Thermostat, Def.	34	W10173398	Board, HV Control (Inc. Inst. Sheet)			
15	67005680	Grommet (2)	35	67005418	Spacer, HV Box			
16	W10158508	Shroud	36	67004969	Box, HV			
17	67007052	Clip, Capacitor	37	67006550	Screw (2)			
18	67006131	Condenser	38	67005419	Harness, HV			
19	67004700	Tube, Discharge	39	67006615	Screw, Cover			
20	67002490	Tray, Drip	40	W10137529	Grommet, Cond. (4)			
21	10623002	Clip, Evaporator	41	67005149	Roller (2)			
22	12002041	Evaporator Kit (Incl. Evap., Heat Shield, & Instr. Sheet)	42	67006434	Axle, Roller (2)			
						<hr/> Following Parts Not Illustrated and Optional Parts Not Included <hr/>		
							978025	Valve, Access (1/4")
							978026	Valve, Access (5/16")
							978027	Valve, Access (3/8")
							978028	Valve, Access (1/2")
							978029	Valve, Access (5/8")
							978030	Valve, Access (3/4")
							876764	Valve, Access (3/16")
						<hr/> REFRIGERANT CHARGE <hr/>		
								5.0 Ozs. (R-134A)

FOR ORDERING INFORMATION REFER TO PARTS PRICE LIST

SHELF PARTS

For Models: EF36LNFSSPA, EF36RNFSSPA
(Stainless) (Stainless)

The model(s) number shown may be different than what is printed on the model/serial tag of your product. The number(s) shown combine the model number and the first two digits of the serial number from the product tag.



FOR ORDERING INFORMATION REFER TO PARTS PRICE LIST

SHELF PARTS

For Models: EF36LNFSSPA, EF36RNFSSPA

(Stainless) (Stainless)

The model(s) number shown may be different than what is printed on the model/serial tag of your product. The number(s) shown combine the model number and the first two digits of the serial number from the product tag.

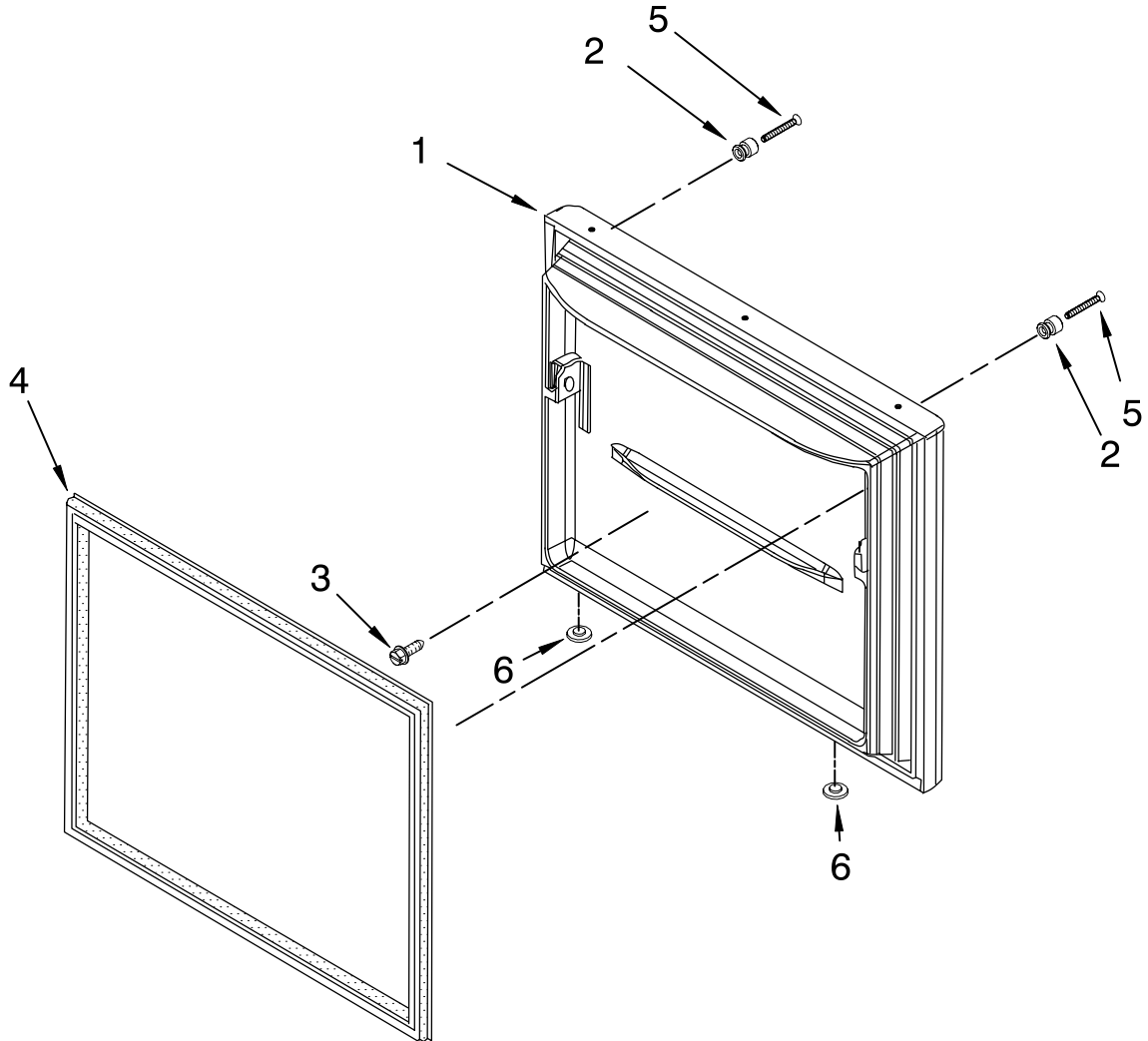
Illus. No.	Part No.	DESCRIPTION	Illus. No.	Part No.	DESCRIPTION	Illus. No.	Part No.	DESCRIPTION
1	67002332	Glass, Pantry	16		Endcap, Pantry	28	67003794	Rod, Temperature Control
2	67002321	Divider, Pantry Drawer		67005862	Left	29	67003530	Drawer, Pantry
3	67006608	Screw		67006912	Right	30	67003791	Knob, Temperature Control
4	67006010	Extr, Glass Support (2)	17	67002659	Pan, Crisper (2)	31	67005899	Door, Pantry Drawer
5	67002330	Brace, Pantry (2)	18	67002488	Brace, Crisper	32	67006026	Basket, Freezer (Lower)
6	67001719	Track, Pantry	19	67006911	Trim, Crisper	33	67004812	Divider, Lower Basket
7	67001656	Trivet, Wine	20	67006185	Frame, Crisper (Also Order Gasket W10177506 Qty. 2)	34	67004988	Basket, Freezer (Upper)
8	67004127	Divider, Upper Basket	21	67006655	Glass, Crisper Cover	35	67005909	Front, Crisper Pan
9	67002329	Gasket, Pantry	22	67001073	Ladder, Center	36	67006415	Screw (4)
10	67005625	Housing, Control	23	67002489	Ladder, Side	37	W10177506	Gasket
11	67003169	Shelf, Glide (4)	24	67006400	Screw (6)			
12	67003793	Slide, Temperature	25	67006360	Screw (2)			
13	10448903	Rack, Bottle	26	67006287	Screw (4)			
14	67007026	Glide, Drawer(2)	27	67005864	Slide, Humidity Control			
15	67006400	Screw						

FOR ORDERING INFORMATION REFER TO PARTS PRICE LIST

FREEZER DOOR PARTS

For Models: EF36LNFSSPA, EF36RNFSSPA
(Stainless) (Stainless)

The model(s) number shown may be different than what is printed on the model/serial tag of your product. The number(s) shown combine the model number and the first two digits of the serial number from the product tag.



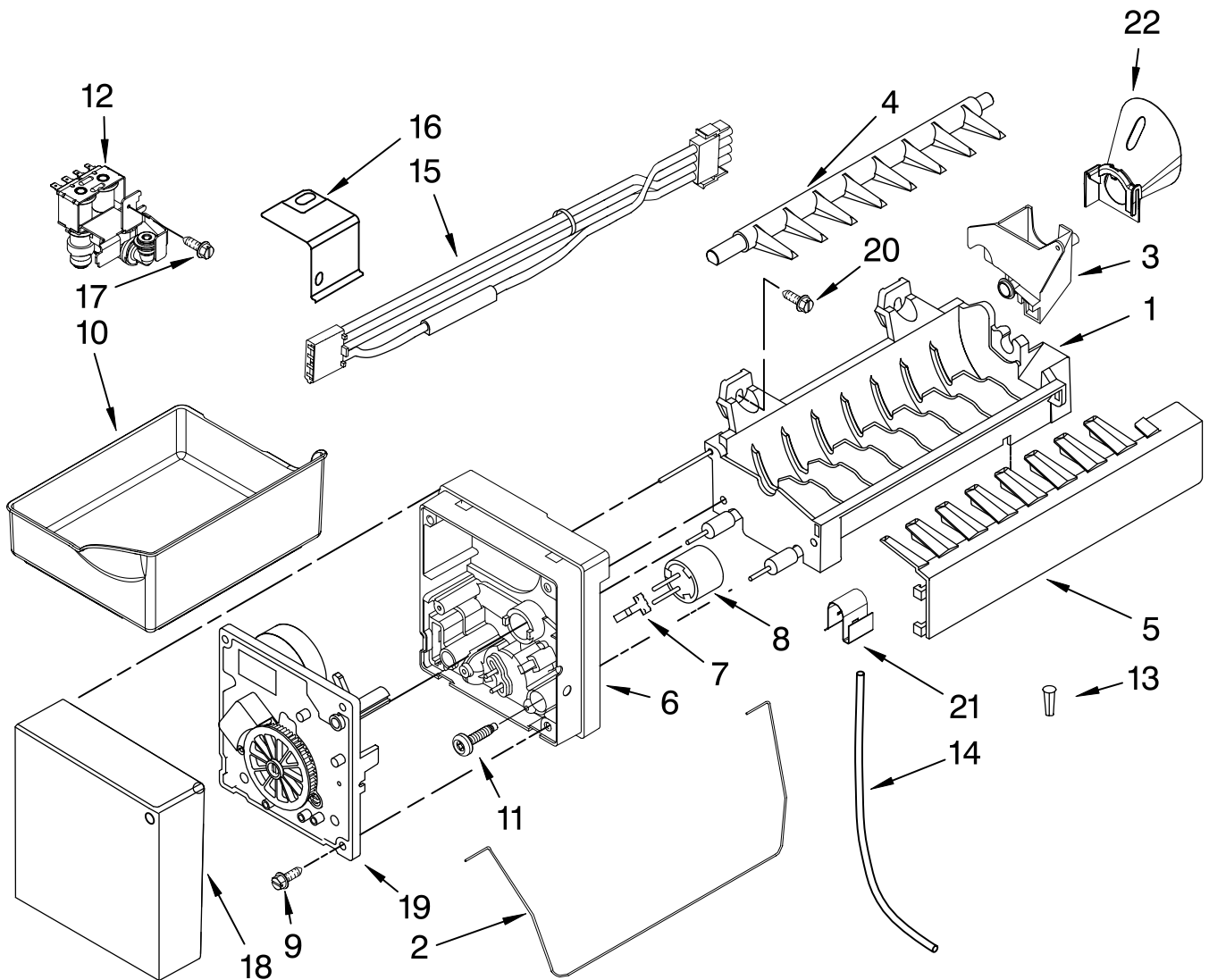
Illus. No.	Part No.	DESCRIPTION	Illus. No.	Part No.	DESCRIPTION	Illus. No.	Part No.	DESCRIPTION
1	W10185588	Door, Freezer Stainless	3	67006408	Screw (8)	5	W10133608	Screw
2	67006109	Mount, Handle	4	W10131754	Gasket, Door Black	6	67004838	Plug, Button (2) Black

FOR ORDERING INFORMATION REFER TO PARTS PRICE LIST

ICEMAKER PARTS

For Models: EF36LNFSSPA, EF36RNFSSPA
(Stainless) (Stainless)

The model(s) number shown may be different than what is printed on the model/serial tag of your product. The number(s) shown combine the model number and the first two digits of the serial number from the product tag.



Illus. No.	Part No.	DESCRIPTION
1	W10122527	Mold & Heater Assembly (Also Order 542638 Grease)
2	67004028	Arm, Shutoff
3	628515	Cup, Fill
4	627843	Ejector
5	2182124	Ice Stripper
6	2194712	Support, Housing
7	2315522	Retainer, Thermostat

Illus. No.	Part No.	DESCRIPTION
8	627985	Thermostat (Also Order 542369 Cement)
9	489464	Screw (3)
10	67001255	Pan, Ice
11	8533917	Screw (2)
12	67006531	Valve, Water Inlet
13	A3223101	Insert, Tube
14	67003729	Tubing, Plastic
15	W10146389	Harness, Ice Maker
16	2256086	Bracket, Icemaker
17	67006662	Screw
18	67004710	Cover

Illus. No.	Part No.	DESCRIPTION
19	626678	Module Assembly
20	489276	Screw (3)
21	628379	Clip
22	67005603	Funnel, Fill Tube
100	W10122519	Icemaker Assembly

Following Parts Not Illustrated

10244904 Coupling

FOR ORDERING INFORMATION REFER TO PARTS PRICE LIST

OPTIONAL PARTS (NOT INCLUDED)

For Models: EF36LNFSSPA, EF36RNFSSPA

(Stainless) (Stainless)

The model(s) number shown may be different than what is printed on the model/serial tag of your product. The number(s) shown combine the model number and the first two digits of the serial number from the product tag.

Illus. No.	Part No.	DESCRIPTION	Illus. No.	Part No.	DESCRIPTION	Illus. No.	Part No.	DESCRIPTION
Parts Not Illustrated and Optional Parts (Not Included)			Miscellaneous			TORX SCREW WRENCH		
PAINT, TOUCH-UP (1/2oz.)			212643		Sealer, Gum (4 Feet)		1117510	Torx Key
	72017	White	479502		Tape, Vinyl (3/4 x 108")			
	72032	Black	876370		Kit, Insulation (2 Pcs. x 3" x 24" X 48")			
	4392901	Biscuit	876305		Kit, Insulation (14 Pcs. x 3" x 24" x 48")			
PAINT, PRESSURIZED SPRAY (12 oz.)			978941		Insulation, Fiberglass (63-1/2" x 35-1/2" X 2-5/8)			
	*350942	Primer, White	876029		Kit, Foam Slab (30" x 32-1/2" x 1-1/2")			
	*350930	White	505587		Sealer, Mastic (1 Qt.)			
	*350939	Black	503695		Cork, Sealer (1/4 Pound)			
	*4392901	Biscuit	31462		Cleaner, 10 oz. Stainless Steel			
			542638		Grease, Silicone (1/2 Oz.)			
			542639		Cement, Alumilastic (1-1/4 Oz.)			
			606755		Bag, Insulation (36-5/8" x 46")			
			799833		Kit, Evaporator Repair (Aluminum Epoxy)			
			833938		Kit, Terminal Connector			

FOR ORDERING INFORMATION REFER TO PARTS PRICE LIST