

dacor®

The Life of the Kitchen.®

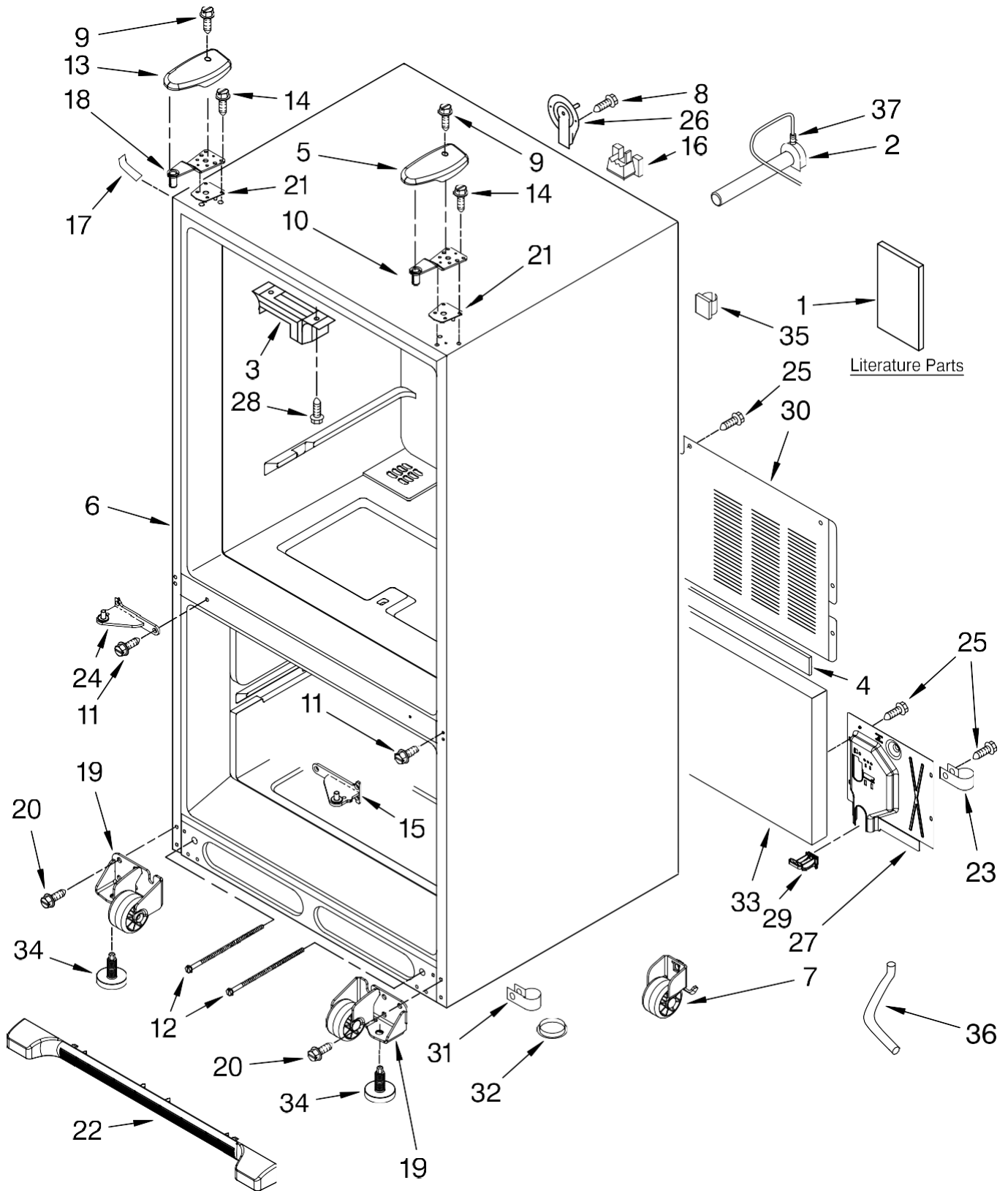
PARTS CATALOG

EF36BNFSS Refrigerator

Page #	Description
2	Cabinet
4	Freezer Liner
6	Refrigerator Liner
8	Refrigerator Door
10	Unit
12	Shelf
14	Freezer Door
15	Ice Maker

Revised 05-06-2013

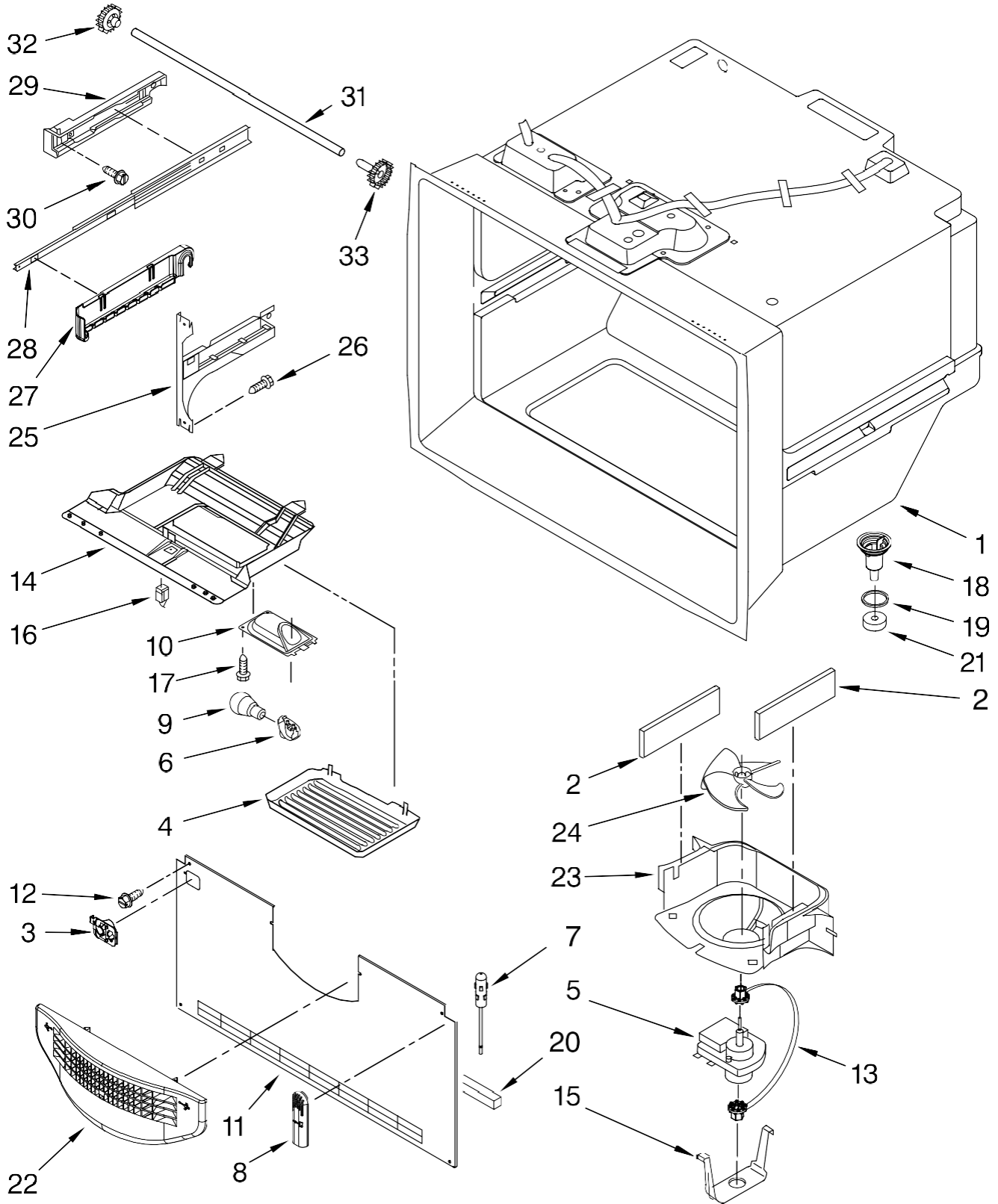
EF36BNFSS - Cabinet



EF36BNFSS - Cabinet Parts

Item	Dacor #	Whirlpool #	Description
1	N/A	N/A	Literature Parts
2	106287	W10137519	Elbow, Fill Tube
3	102635	67003405	Block, Pivot
4	102816	B5759649	Gasket
5	102642	12684202B	Cover, Right Hinge Black
6	N/A	N/A	Cabinet (Not Serviceable)
7	106264	67006118	Roller Asy. (Rear)
8	102623	67006287	Screw
9	102629	67006521	Screw
10	106273	12566604ED	Hinge, Top Right
11	102662	67006380	Screw (6)
12	102790	67006697	Bolt, Adjusting (Rear)
13	102626	12684201B	Cover, Left Hinge Black
14	102627	67006303	Screw (6)
15	102661	67006443	Hinge, Center (RT) Black
16	102817	67004092	Block, Fill Tube
17	102731	67003485	Cover, Corner (2) Black
18	106274	12566605ED	Hinge, Top Left
19	106282	W10130459	Roller Asy. (Front, Right)
19	106283	W10130460	Roller Asy. (Front, Left)
20	106601	67006564	Screw (8)
21	102633	12579702	Shim, Hinge
22	106284	W10131134	Grille, Toe Black
23	102824	M0108105	Clamp, Tube
24	102660	67006442	Hinge, Center (LT) Black
25	102767	67006425	Screw (10)
26	102825	67003331	Cover, Water Line
27	102813	67004098	Cover, Water Valve
28	106602	67006669	Screw (2)
29	102829	67004101	Sweep, Dual Tube
30	102812	67006101	Cover, Unit
31	102733	67001067	Clip, Drain Tube
32	102734	A3076901	Plug, Button
33	102828	67003796	Insulation, Sound
34	106289	W10141622	Brake, Foot
35	102822	M0104106	Clip (2)
36	106296	W10164397	Tube, Drain
37	102823	M0114003	Clip

EF36BNFSS - Freezer Liner

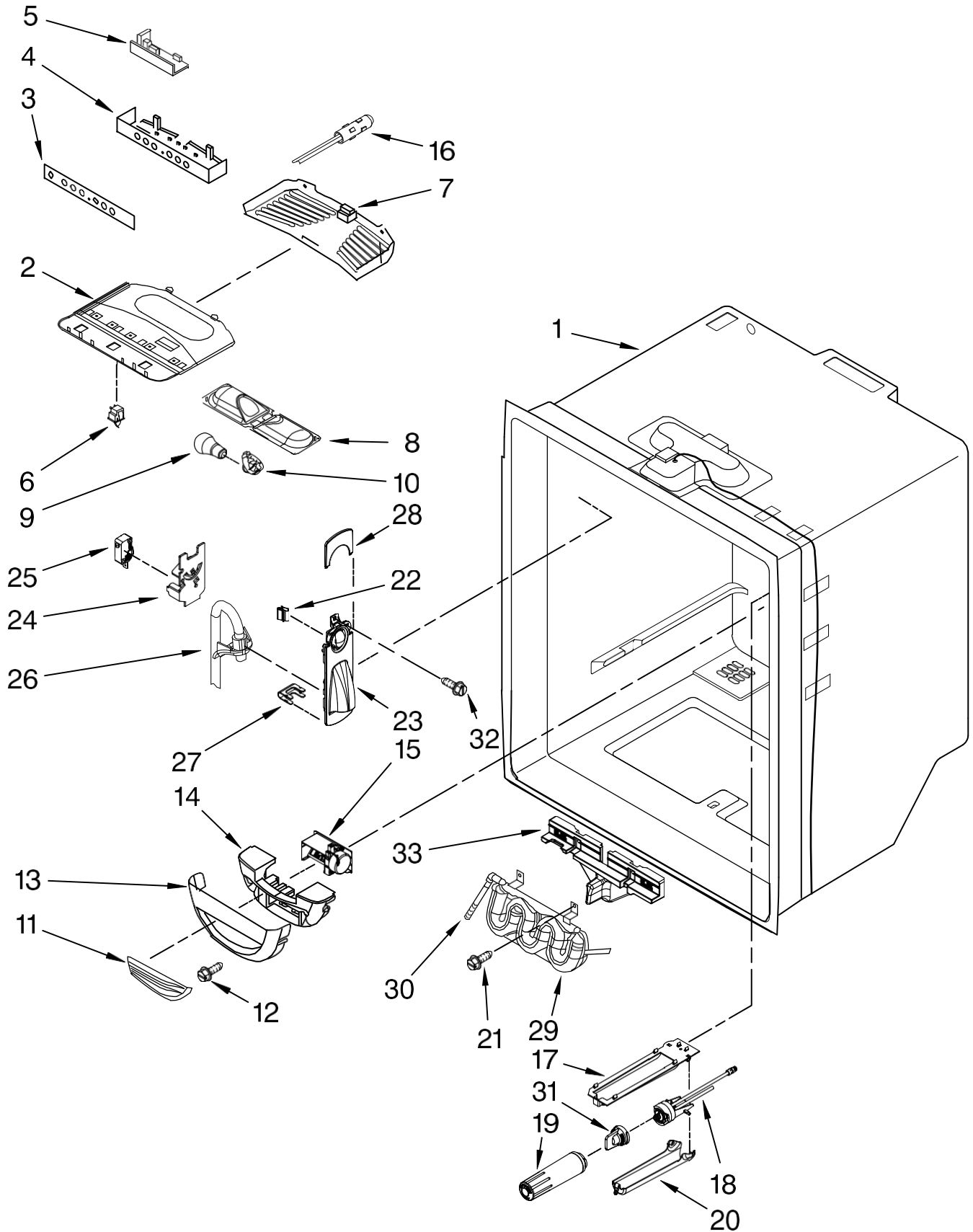


EF36BNFSS - Freezer Liner Parts

Item	Dacor #	Whirlpool #	Description
1	N/A	N/A	Liner (Not Serviceable)
2	102781	67001291	Gasket, Foam
3	106261	67005874	Guide, Fill Tube
4	102694	67003905	Cover, Light
5	102777	67003636	Motor, Evaporator
6	102697	Y12570701	Socket, Light
7	102701	12002355	Thermistor
8	102789	67003924	Cover, Thermistor
9	106276	A0282812	Bulb, Light
10	102696	67001035	Housing, Light
11	102763	67005873	Cover, Evaporator
12	102767	67006425	Screw (4)
13	106280	W10121318	Grommet
14	102695	67003906	Housing, Light
15	106299	W10167028	Clip, Evap Motor
16	102699	67005653	Switch, Light
17	102700	67006530	Screw
18	102729	D7753903	Funnel, Drain
19	102728	M0500703	Seal
20	102764	67002492	Gasket, Bottom
21	102727	B8381501	Gasket
22	106301	W10175909	Grille, Fz Air
23	106298	W10167023	Shroud, Evap Fan
24	103865	2169142	Blade, Fan (Evaporator)
25	106277	W10119064	Bracket, Door Left
25	106278	W10119295	Bracket, Door Right
26	102738	67006473	Screw (8)
27	102756	67004728	Cradle, Basket Left
27	102757	67004729	Cradle, Basket Right
28	106303	W10180420	Slide, Drawer (2)
29	102749	67004971	Adapter, Slide Left
29	102750	67004972	Adapter, Slide Right
30	102730	67006406	Screw (6)
31	102747	67004017	Shaft
32	106254	12002497	Gear (Left, Includes Item 33)
33	106254	12002497	Gear (Right, Includes Item 32)
-	106262	67006095	Harness, Fz Module (Not Shown)



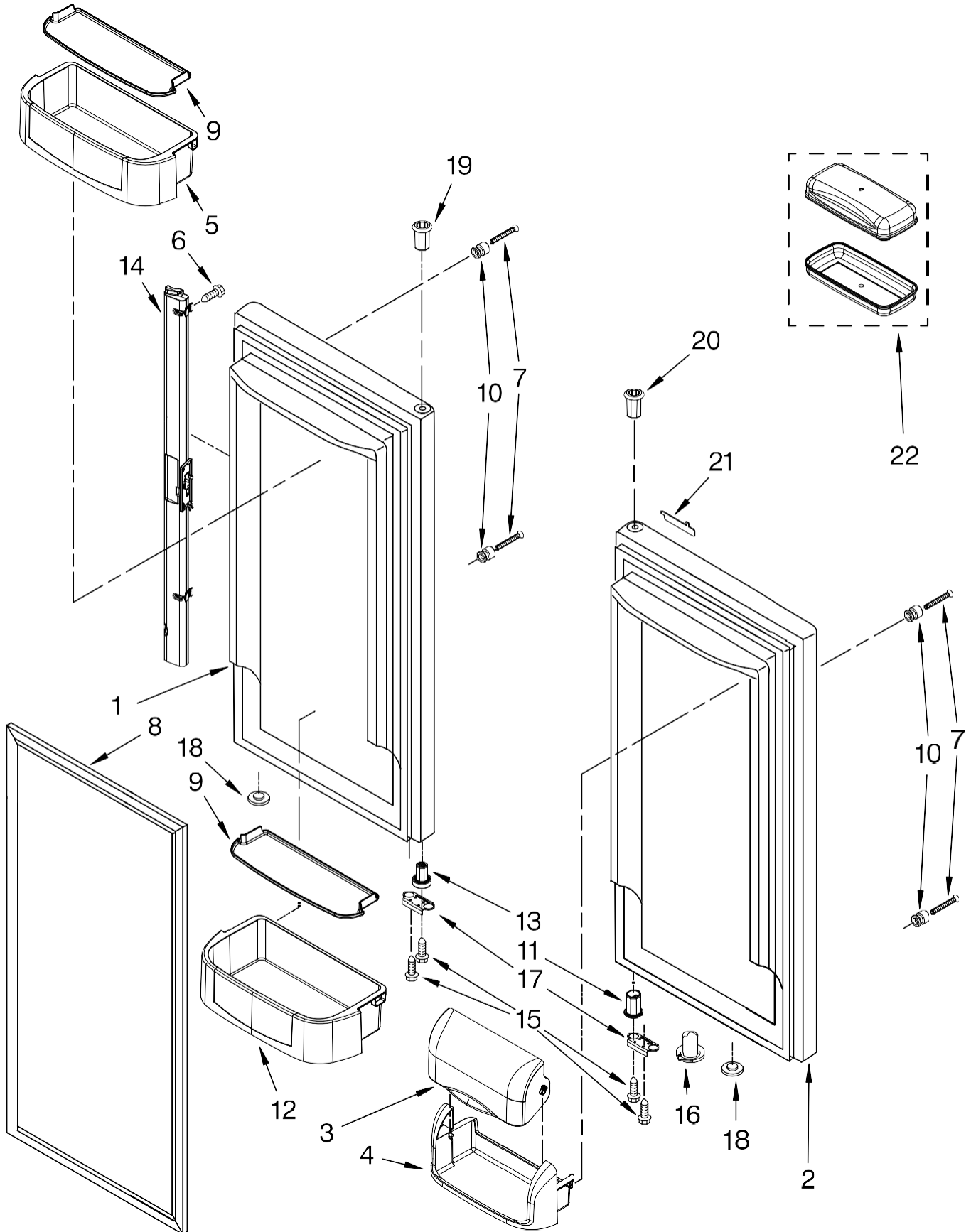
EF36BNFSS - Refrigerator Liner



EF36BNFSS - Refrigerator Liner Parts

Item	Dacor #	Whirlpool #	Description
1	N/A	N/A	Liner (Not Serviceable)
2	102681	67004078	Module, Light
3	102691	67006910	Keyboard
4	106304	W10185585	Module, Control
5	102684	67005397	Board, Control
6	102680	C3680310	Switch, Light (2)
7	102682	67003897	Cover, Light
8	102688	67003901	Housing, Light
9	106276	A0282812	Bulb, Light (2)
10	102697	Y12570701	Socket, Light (2)
11	102686	67003900	Insert, Damper Cover
12	102687	67006602	Screw
13	102685	67003899	Cover, Damper
14	102693	67006604	Insulation
15	102692	W10127429	Control, Damper
16	102701	12002355	Thermistor
17	102664	67001668	Plate
18	102665	67006524	Head, Water Filter
19	106267	67006470	Filter, Water
20	102667	12568001	Cover, Filter
21	102715	67006415	Screw (2)
22	102669	B8390302	Clip, Facade (2)
23	106292	W10158503	Facade, Disp.
24	102671	67002742	Plate, Switch
25	102672	12575501	Switch, Limit
26	102673	67003728	Guide, Waterline
27	102674	67002816	Clip, Waterline
28	102675	67006909	Facade, Disp. (Top)
29	106291	W10153959	Tank, Water
30	102677	61006182	Union
31	106257	61003146	Plug, Bypass
32	102679	67006400	Screw
33	106295	W10163893	Insulation, Water Tank

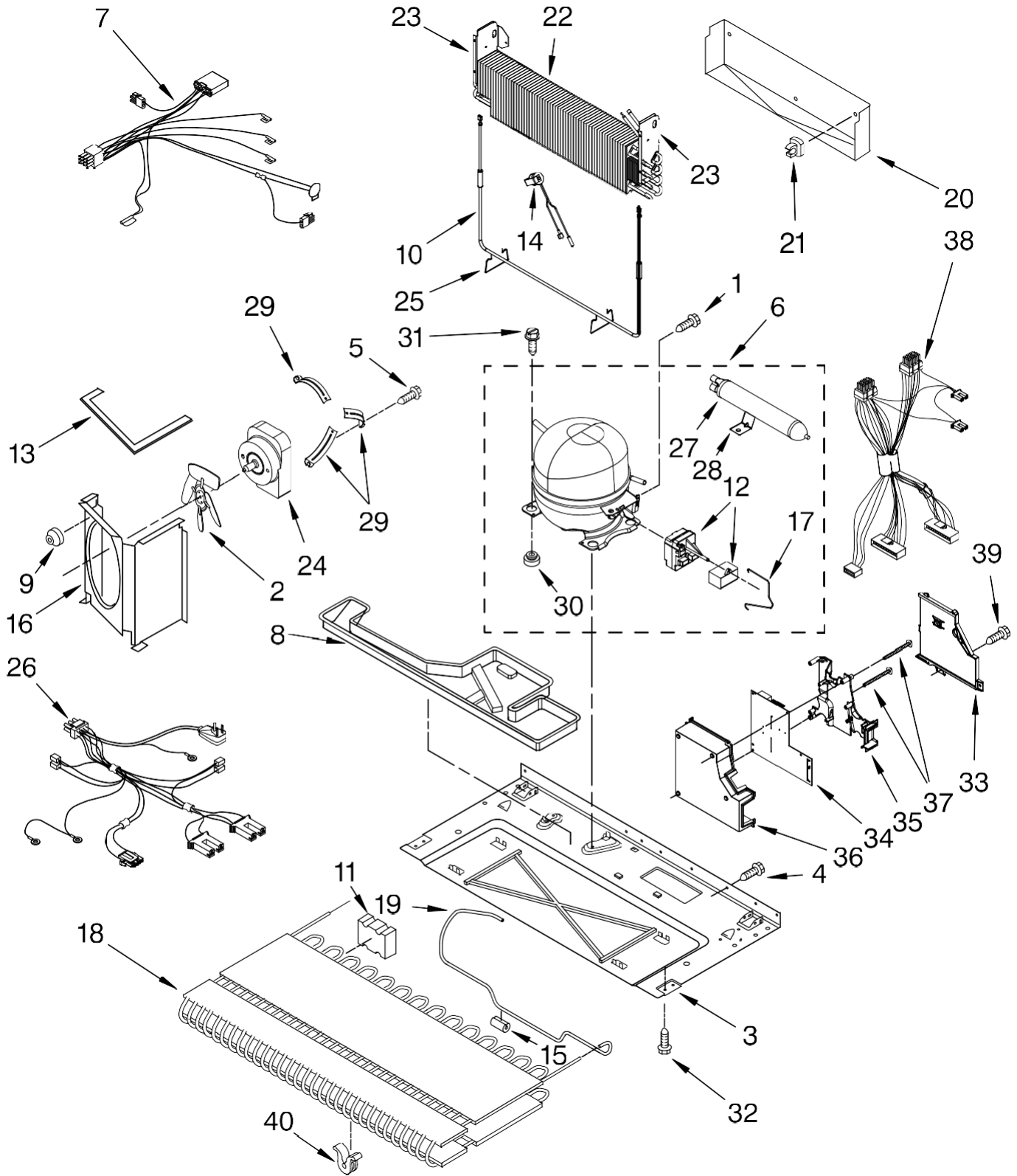
EF36BNFSS - Refrigerator Door



EF36BNFSS - Refrigerator Door Parts

Item	Dacor #	Whirlpool #	Description
1	106305	W10185586	Door, Left Stainless
2	106306	W10185587	Door, Right Stainless
3	102654	67003637	Door, Dairy
4	102653	67001279	Tray, Dairy
5	102655	67003775	Bin, Shelf (3) (Medium)
6	102632	67006786	Screw
7	106286	W10133608	Screw
8	106275	12723206B	Gasket, Door (2) Black
9	102659	67006906	Gripper, Medium Bucket
9	102663	67006907	Gripper, Gallon Bucket
10	106263	67006109	Mount, Handle
11	102648	67002731	Bushing, Door (Bottom Right)
12	102656	67005258	Bin, Shelf (2) (Gallon)
13	102637	67002721	Bushing, Door (Bottom Left)
14	102631	67003264	Mullion, Door Black
15	102623	67006287	Screw
16	102647	67003639	Closure, Door Black
17	106269	67007011	Stop, Door Black
18	102630	67004838	Plug, Button Black
19	102634	12395501B	Bushing, Door (Upper Left) Black
20	102649	67004978	Bushing, Door (Upper Right) Black
21	102622	67006172	Nameplate
22	106265	67006229	Dish Asy, Butter

EF36BNFSS - Unit

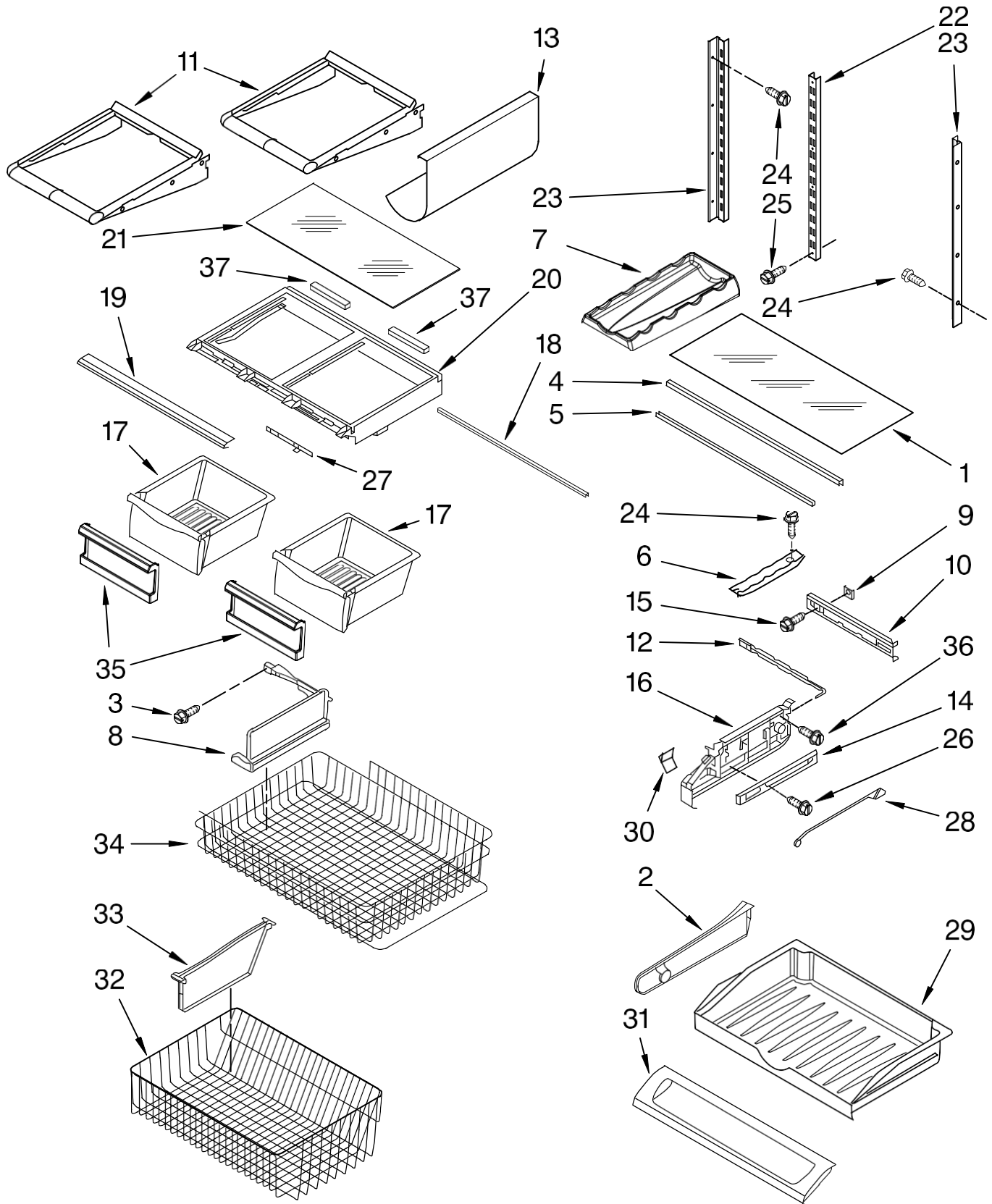


EF36BNFSS - Unit Parts

Item	Dacor #	Whirlpool #	Description
1	102794	67006433	Screw
2	106294	W10162928	Blade, Fan
3	102803	67005889	Basepan
4	102767	67006425	Screw (2)
5	102810	67004954	Screw (3)
6	106255	12002634	Compressor Kit
7	106279	W10119857	Harness, Evap Heater
8	106272	67007175	Pan, Drain
9	102805	61004743	Grommet (3)
10	102774	67002493	Heater, Defrost
11	106259	67005491	Block, Condenser
12	102795	67005560	Relay Asy.
13	106258	61003210	Gasket
14	106297	W10165425	Thermostat, Def.
15	102802	67005680	Grommet (2)
16	106293	W10158508	Shroud
17	106271	67007052	Clip, Capacitor
18	102806	67006131	Condenser
19	102801	67004700	Tube, Discharge
20	102761	67002490	Tray, Drip
21	102762	10623002	Clip, Evaporator
22	102771	12002041	Evaporator Kit
23	102773	67001084	Dam, Right
23	102772	67001083	Dam, Left
24	102799	67004432	Motor, Fan
25	102775	10428101	Clip, Heater
26	106256	13060201	Harness, Unit w/ Power Cord
27	106252	2317845	Drier
28	106253	10547003	Clip, Drier
29	102809	67004953	Bracket, Fan Motor
30	102797	67003493	Grommet (4)
31	102793	67006432	Screw (3)
32	102768	67006573	Screw (4)
33	102831	67005421	Cover, HV Box
34	106300	W10173398	Board, HV Control
35	102835	67005418	Spacer, HV box
36	102834	67004969	Box, HV
37	106268	67006550	Screw (2)
38	102836	67005419	Harness, HV
39	102832	67006615	Screw, Cover
40	106288	W10137529	Grommet, Cond. (4)

Following parts are not illustrated and are optional parts not included.		
Dacor #	Whirlpool #	Description
103840	978025	Valve, Access 1/4"
103841	978026	Valve, Access 5/16"
103842	978027	Valve, Access 3/8"
103843	978028	Valve, Access 1/2"
103844	978029	Valve, Access 5/8"
103845	978030	Valve, Access 3/4"
106249	876764	Valve, Access 3/16"

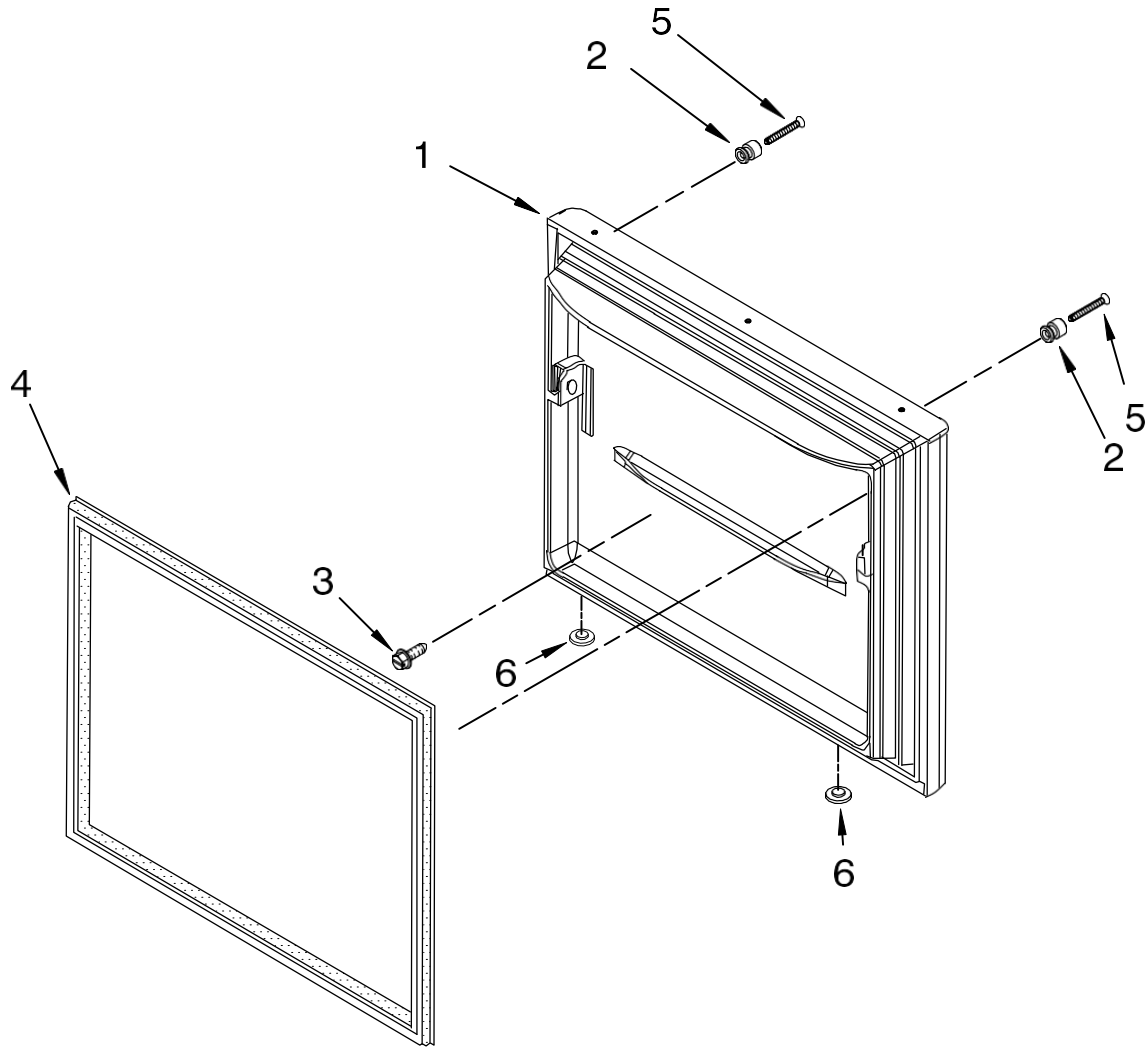
EF36BNFSS - Shelf



EF36BNFSS - Shelf Parts

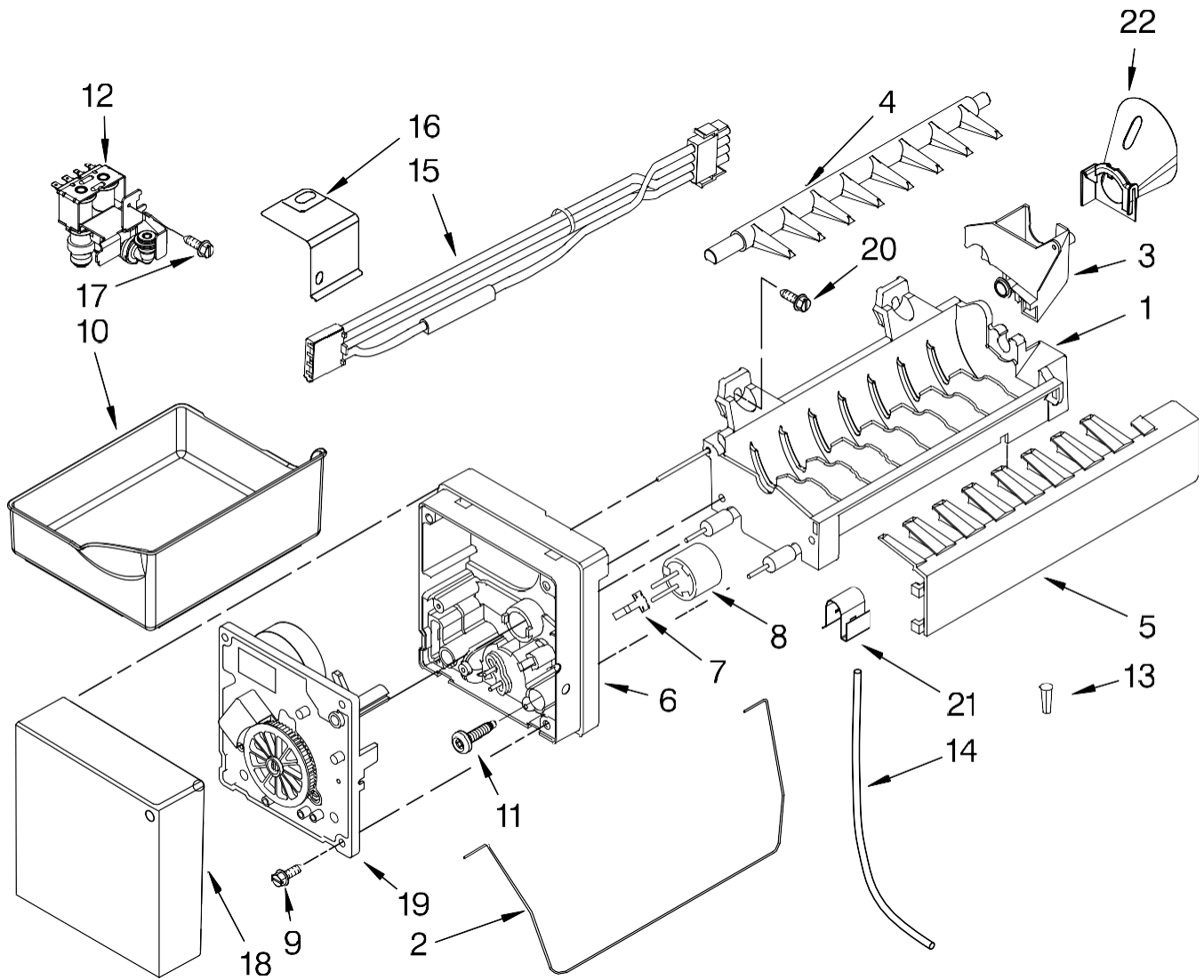
Item	Dacor #	Whirlpool #	Description
1	102711	67002332	Glass, Pantry
2	102766	67002321	Divider, Pantry Drawer
3	102752	67006608	Screw
4	102712	67006010	Extra, Glass Support (2)
5	102716	67002330	Brace, Pantry (2)
6	102717	67001719	Track, Pantry
7	102706	67001656	Trivet, Wine
8	102751	67004127	Divider, Upper Basket
9	102720	67002329	Gasket, Pantry
10	102719	67005625	Housing, Control
11	102704	67003169	Shelf, Glide (4)
12	102721	67003793	Slide, Temperature
13	102705	10448903	Rack, Bottle
14	106270	67007026	Glide, Drawer (2)
15	102679	67006400	Screw
16	102713	67005862	Endcap, Pantry, Left
16	102714	67006912	Endcap, Pantry, Right
17	102708	67002659	Pan, Crisper (2)
18	102710	67002488	Brace, Crisper
19	102709	67006911	Trim, Crisper
20	103547	67006185	Frame, Crisper
21	103546	67006655	Glass, Crisper Cover
22	102742	67001073	Ladder, Center
23	102743	67002489	Ladder, Side
24	102679	67006400	Screw (6)
25	102744	67006360	Screw (2)
26	102623	67006287	Screw (4)
27	102707	67005864	Slide, Humidity Control
28	102725	67003794	Rod, Temperature Control
29	102726	67003530	Drawer, Pantry
30	102724	67003791	Knob, Temperature Control
31	700827	67005899	Door, Pantry Drawer
32	102748	67006026	Basket, Freezer (Lower)
33	102754	67004812	Divider, Lower Basket
34	102746	67004988	Basket, Freezer (Upper)
35	103548	67005909	Front, Crisper Pan
36	102715	67006415	Screw (4)
37	106302	W10177506	Gasket

EF36BNFSS - Freezer Door



Item	Dacor #	Whirlpool #	Description
1	106307	W10185588	Door, Freezer Stainless
2	106263	67006109	Mount, Handle
3	102650	67006408	Screw (8)
4	106285	W10131754	Gasket, Door Black
5	106286	W10133608	Screw
6	102630	67004838	Plug, Button (2) Black

EF36BNFSS - Ice Maker



Item	Dacor #	Whirlpool #	Description
1	104042	W10122527	Mold & Heater Assembly
2	102844	67004028	Arm, Shutoff
3	106248	628515	Cup, Fill
4	106246	627843	Ejector
5	103867	2182124	Ice Stripper
6	106250	2194712	Support, Housing
7	103981	2315522	Retainer, Thermostat
8	104091	627985	Thermostat
9	104085	489464	Screw (3)
10	102851	67001255	Pan, Ice
11	104026	8533917	Screw (2)
12	102821	67006531	Valve, Water Inlet

Item	Dacor #	Whirlpool #	Description
13	102820	A3223101	Insert, Tube
14	102819	67003729	Tubing, Plastic
15	106290	W10153408	Harness, Ice Maker
16	106251	2256086	Bracket, Ice Maker
17	102815	67006662	Screw
18	102840	67004710	Cover
19	106245	626678	Module Assembly
20	104081	489276	Screw (3)
21	106247	628379	Clip
22	106260	67005603	Funnel, Fill Tube
-	106281	W10122519	Ice Maker Assembly
-	102852	10244904	Coupling (Not Shown)