

# ***dacor***

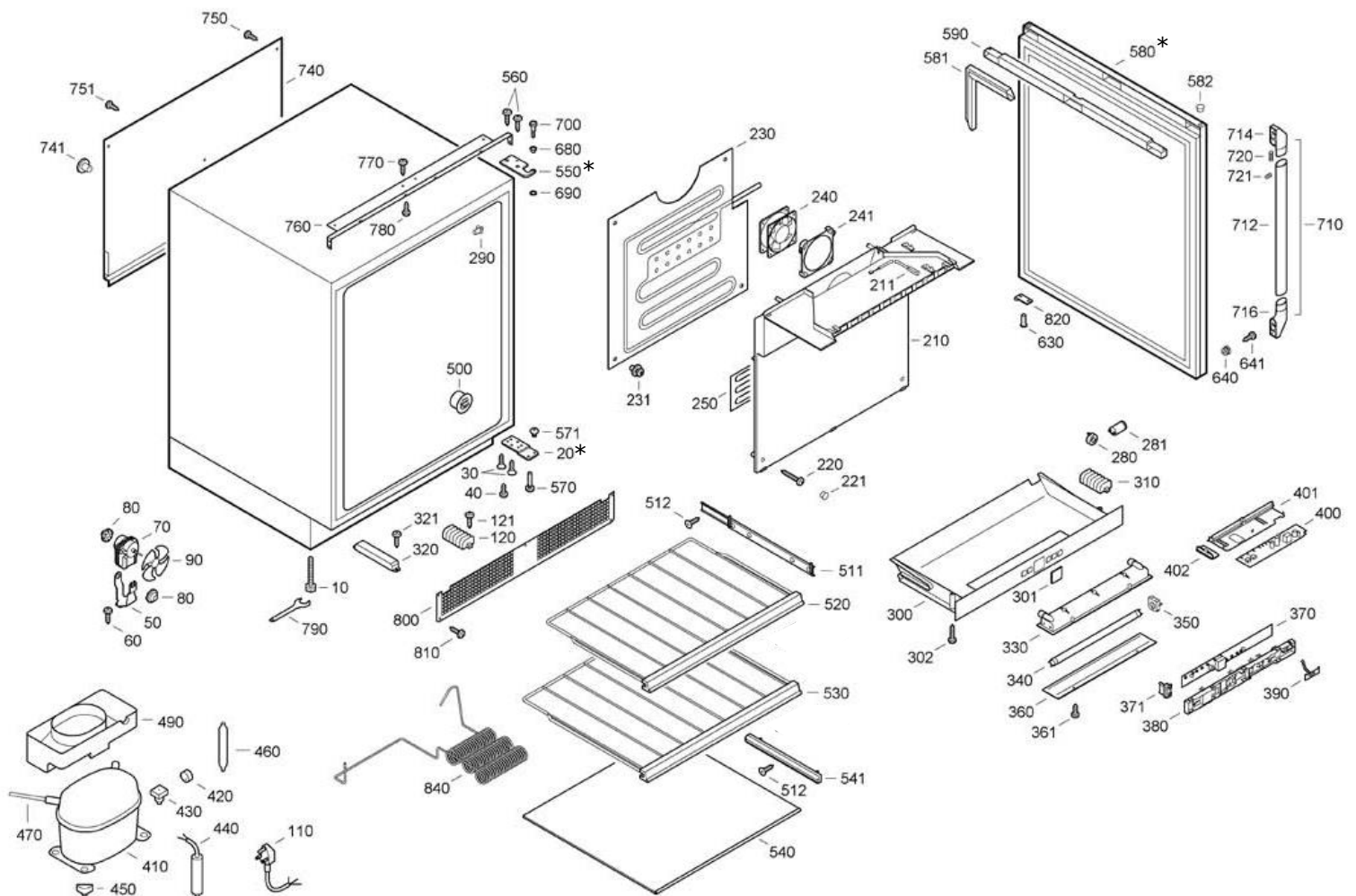
LET THE SHOW BEGIN

## **PARTS CATALOG**

### **EF24LBCSS/EF24RBCSS Beverage Centers and EF24LWCZ1SS/EF24RWCZ1SS Wine Coolers**

<b>Page #</b>	<b>Description</b>
<b>2</b>	<b>Assembly Drawing</b>
<b>3</b>	<b>Parts List</b>

# Beverage Center/Wine Cooler Assembly



\*This part is reversible. It can be used on both right and left hinged models.

# Beverage Center/Wine Cooler Parts List

Item	Part #	Description
10	101763	Screw, adj, M10 x 80
20*	101805 <sup>2</sup>	Hinge plate <sup>2</sup>
30	101753	Screw, M5 x 16 phil hd, countersunk
40	101754	Screw, special 5 x 13 B3 ST
50	101863	Ventilation frame attachment
60	101755	Screw, thread-cutting, phil hd
70	101791	Compact fan
80	101815	Buffer, fan
90	101794	Fan blade
110	101865	Supply line
120	101776	Distributor strip
121	101750	Screw, oval hd, self tap 3.9 x 22
210	101841	Plate, back partition
211	101802	Air sensor for refrig. Compartment
220	101769	Screw, oval hd, wood UKS/KS3610
221	101840	Plug, water drain
230	101770	Evaporator-freezing
231	101825	Evaporator fixture
240	101783	Compact fan
241	101817	Ventilator absorber
250	6940411	Aluminum heat stripping
280	101782	Starter socket
281	101781	Starter 110 V
290	101820	Stop, perf. metal plate
300	101864	Operating panel housing
301	101848	Display trim
302	101769	Screw, oval hd, wood UKS/KS3610
310	101776	Distributor strip
320	-	Ballast unit(s) (see following page)
321	101766	Screw, special wood, B3 5 x 9 5 A2M phil hd
330	101831	Cover, light
340	101777	Fluorescent tube 8W L8W.25 universal white
350	101780	Lamp holder
360	101833	Cover, light
361	101758	Screw, oval hd, self tap B 3.5 x 9.5 phil hd
370	101786	Power board
371	101829	Bracket, sensor retaining
380	101827	Bracket, board
390	101789	Reed board
400	101785	Power board
401	101828	Bracket, board
402	101832	Bracket, board
410	101792	Compressor R134a
420	101801	Safety temperature limiter

Item	Part #	Description
430	101798	Relay 115 V
440	101796	Capacitor 220 V 64-77 mf
450	101821	Clip, compressor
460	101773	Dryer 6.5G XH7
470	101846	Pipe, compressor 6 x 130
490	101819	Evaporation dish sheet
500	101844	Charcoal filter
511 <sup>1</sup>	101856 <sup>1</sup>	Rack glide <sup>1</sup>
512	101767	Screw, oval hd, wood 4x14F GS
520	101861	Grid shelf
530	101862	Grid shelf
540	101818	Glass plate-complete
541	101838	Fastener, retaining
550 <sup>2</sup>	101807 <sup>2</sup>	Hinge plate <sup>2</sup>
560	101753	Screw, M5 x 16 phil hd, countersunk
570	101812	Bolt, door hinge
571	101759	Screw M6 x 8
580 <sup>2</sup>	101867 <sup>2</sup>	Glass door, complete <sup>2</sup>
581	101811	Gasket, magnetic
582	101824	Plug, door
590	101834	Door extension
630	101748	Sleeve, upper, hinge bolt
640	101850	Bushing
641	101749	Screw, M6 x 20 D912 Hex socket
680	101747	Sleeve, hinge plate
690	101855	Washer, door hinge, 10 x 6, 2 x 1.0
700	101762	Screw, oval hd, hinge bolt
710	102130	Complete Door Handle Assembly
712	76052	Door Handle
714	76051	Upper End Cap
716	76053	Lower End Cap
720	102131	Screw 2 mm M4 x 16
721	102132	Set Screw, 2 mm, M4 x 4
740	101852	Plate, back cover
741	7266043	Sleeve
750	101768	Screw, hex hd, self tap 3.9 x 9.5 D7976
751	101756	Screw, PT 4 x 19 A2E
760	101854	Cross-tie, middle, unpainted
770	101755	Screw, thread-cutting, phil hd
780	101757	Screw, oval hd, wood, 3.9 x 14 A3E
790	101808	Wrench, open end
800	101851	Cover panel
810	101765	Screw B3.9 x 13
820	101806	Hinge bushing
840	101772	Plasticizer

<sup>1</sup>On beverage center shelf, Right Glide = PN 107258. Left Glide = PN 107259.

<sup>2</sup>This part is reversible. It can be used on both right and left hinged models.

# Beverage Center/Wine Cooler Parts List

The ballast unit (320) was changed on later models. Correct part number is ordered according to model number and service number from chart below:

<b>Ballast PN</b>	<b>Used on Model Number</b>	<b>Service Number</b>
101779	EF24LBCSS	091913704 and earlier
	EF24RBCSS	091913504 and earlier
	EF24LWCZ1SS	091912104 and earlier
	EF24RWCZ1SS	091912504 and earlier
107263	EF24LBCSS	091913705 and later
	EF24RBCSS	091913505 and later
	EF24LWCZ1SS	092015100 and later
	EF24RWCZ1SS	092001700 and later