

The Dacor logo is rendered in a bold, italicized, sans-serif font with a metallic, 3D effect. The letters are dark with a lighter, reflective highlight on the top and left sides, giving it a sleek, modern appearance. A registered trademark symbol (®) is located to the right of the logo.

dacor®

The Life of the Kitchen.®

A faded background image of a kitchen featuring a white Dacor ECS136 Single Wall Oven. The oven is a single wall model with a stainless steel finish. It has a control panel on the left side with several knobs and buttons. The oven door is closed, and a white bowl is placed on the stovetop. The kitchen counter is cluttered with various items, including a bottle of oil, a bowl of fruit, and a basket of bread. The overall scene is brightly lit, creating a clean and inviting atmosphere.

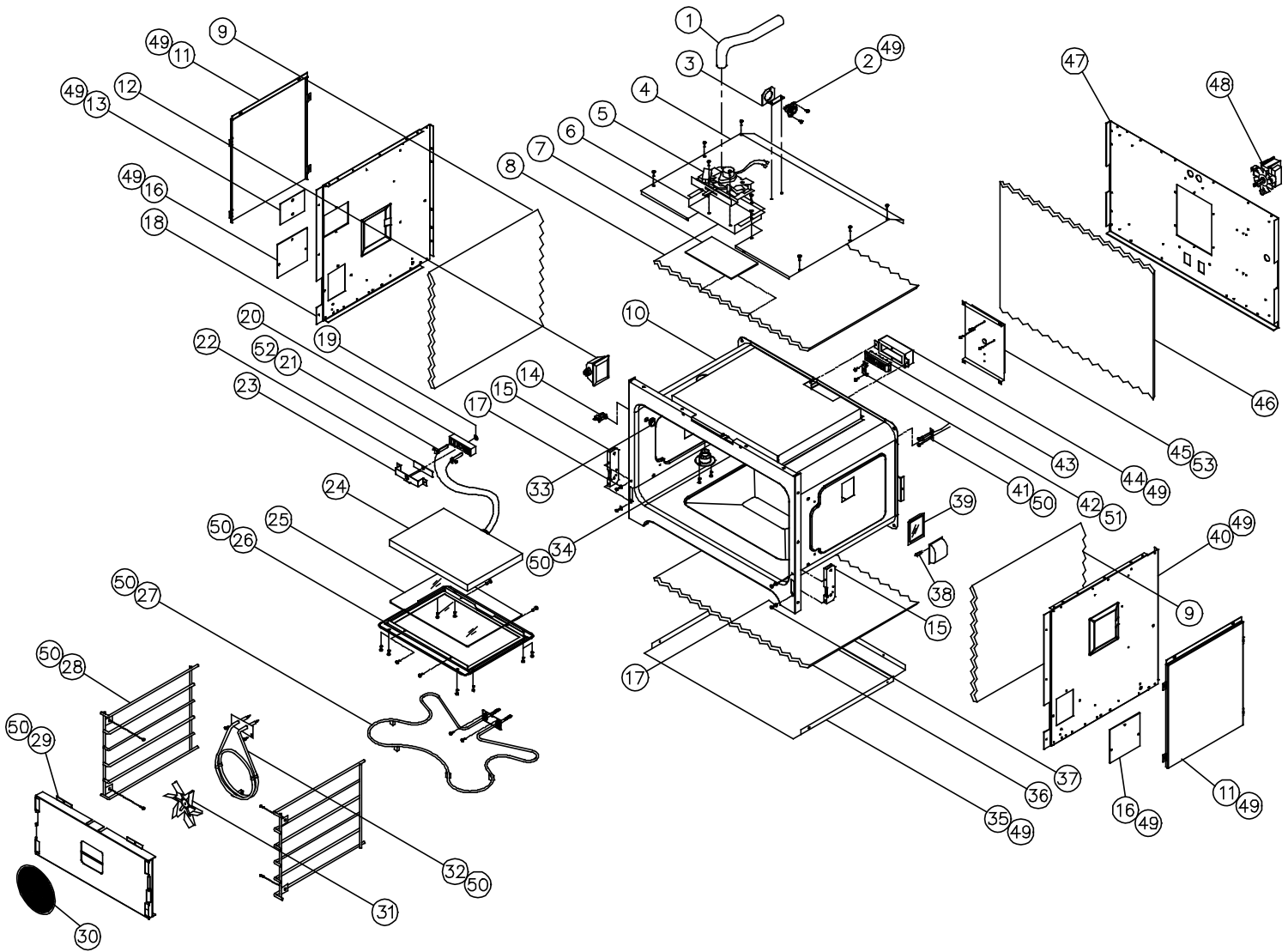
PARTS CATALOG

ECS136 Single Wall Oven

Page	Description
2	Cell Assembly
3	Cell Parts
4	Case Assembly
5	Case Parts
6	Door Assembly
7	Bezel Assembly

Revised 01-30-2014

ECS136 Wall Oven Cell Assembly



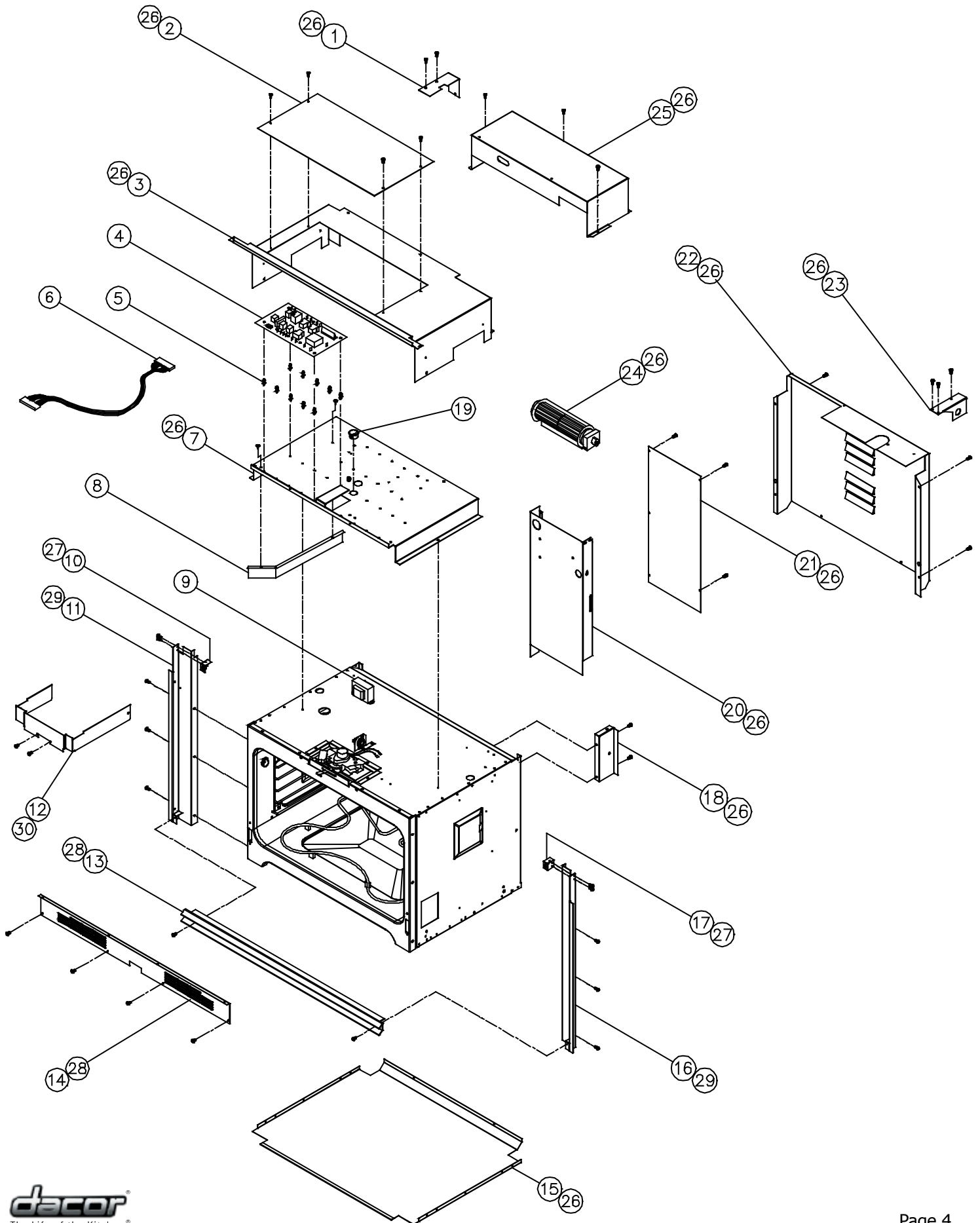
ECS136 Wall Oven Cell Parts

Item	Part #	Description
1	82240	EXHAUST TUBE
2	62775	HI LIMIT SWITCH
3	36276	HI LIMIT BRACKET
4	36610	CASE TOP
5	103809-01 ¹	DOOR LATCH
6	105787 ¹	LATCH PLATE
7	80223	DOOR LATCH INS.
8	80222	TOP INSULATION
9	80161	CELL SIDE INS.
10	27736BP	CELL ASSY W/PROBE
11	36309	LIGHT HEAT SHIELD
12	62175	HALOGEN LIGHT ASSY
13	36279	MEAT PROBE COVER
14	62714	MEAT PROBE SOCKET
15	72348	HINGE RECEPTACLE
16	36832	CASE SIDE COVER
17	83340	LOCKWASHER
18	38060	CASE SIDE LEFT
19	83357	TINN CLIP
20	82048	CERAMIC MALE BLOCK
21	83083	MALE PROBE
22	72361	CERAMIC INSULATOR
23	27894	ASSY BRKT PLUG MOD'L
24	72155-1	BROIL ELEMENT
25	72160	BROIL GLASS
26	27638BP	BROIL GLASS FR ASSY
27	72347	BAKE ELEMENT
28	82650	RACK SUPPORT

Item	Part #	Description
29	36764BP	CONVECTION BAFFLE
30	82891	CONVECTION FILTER
31	82651	FAN BLADE
32	82377	CONVECTION ELEMENT
33	72171	PROBE RECEPTACLE W/COVER
34	82826	SMOKE ELIMINATOR
35	36609	CASE BOTTOM
36	80164	INSULATION BOTTOM
37	83420	SCREW 10-32 x .500
38	86573	HALOGEN BULB, 10W
39	86574	HALOGEN LIGHT SHIELD
40	38061	CASE SIDE RIGHT
41	62593	TEMPERATURE SENSOR
42	83250	FEMALE CLIP, CERAMIC
43	13616	FEMALE CERAMIC BLOCK
44	36774BP	CONNECTOR BOX
45	36280	CONVECTION MOTOR MTG PL
46	80029	INSULATION REAR
47	36763	CASE REAR
48	82647	CONVECTION MOTOR
49	83023	SCREW
50	83534	SCREW, WAFER HD #8 x .375
51	83001	SCREW
52	83060	SCREW, PHL FLL HEAD
53	83379	SCREW
-	72181	OVEN RACK (not shown)
-	62713	MEAT PROBE (not shown)

¹To replace the door latch or latch plate you must order kit part number 701578, which includes the latch, the latch plate and 6 screws.

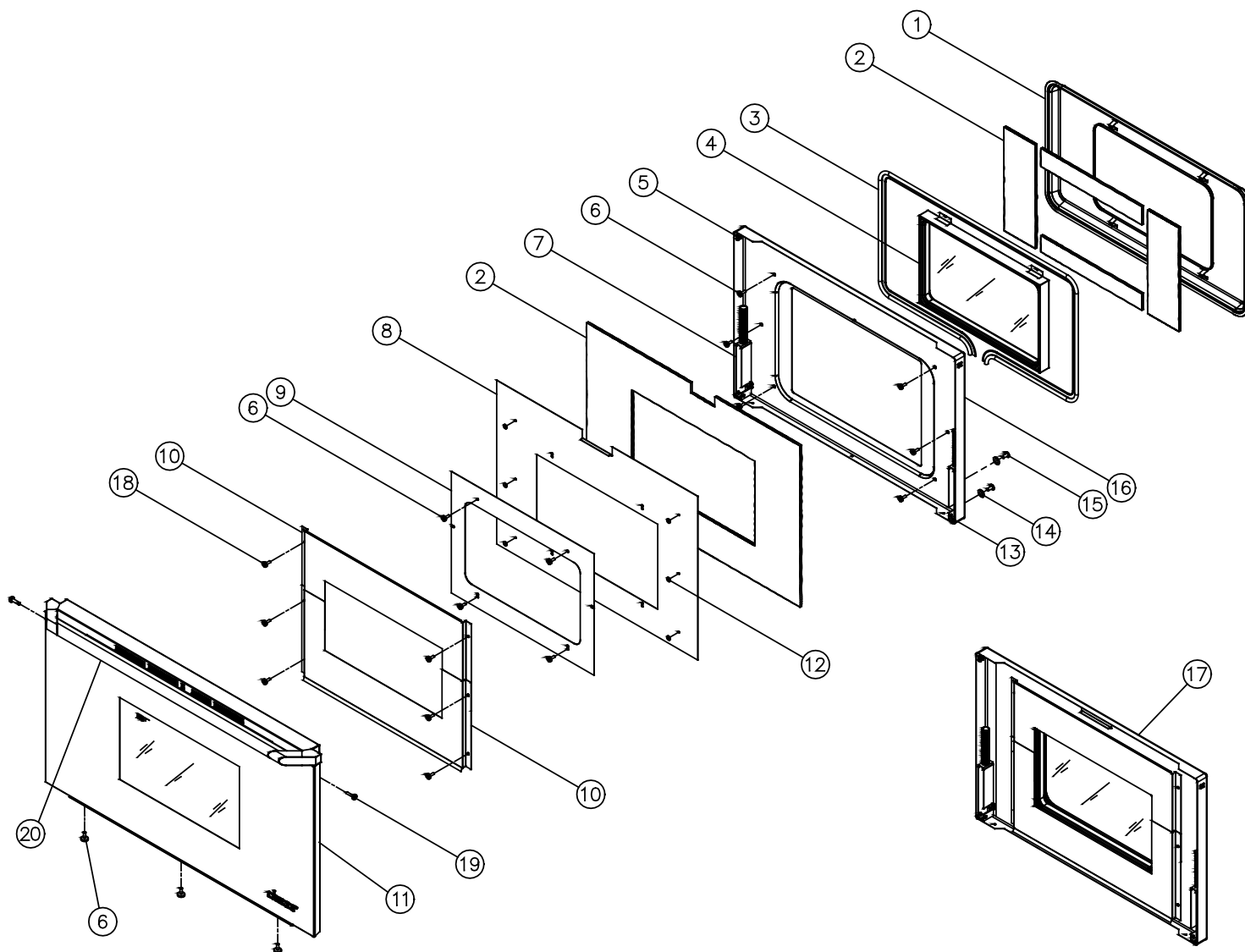
ECS136 Wall Oven Case Assembly



ECS136 Wall Oven Case Parts

Item	Part #	Description
1	36871	REAR, CORNER COVER
2	36318	SERVICE PANEL, TOP COVER
3	36667	FRONT, TOP COVER
4	92028	RELAY, PCB
5	83538	BOARD FASTENERS
6	82445	MAIN WIRE HARNESS
7	27800	WELD, SUB-CHASSIS
8	78945	BAFFLE, LEFT TRANSITION DUCT
9	62808	TRANSFORMER, HALOGEN LIGHT
10	86676	BEZEL MTG BRACKET, LEFT
11	27787	ASSEMBLY TRIM POST, LEFT
12	36833B	HI LIMIT BRACKET, BLACK
13	72170S	EXHAUST GRILL
14	36616	INTAKE GRILL
15	36677	EXHAUST DUCT
16	27786	ASSEMBLY TRIM POST, RIGHT
17	86675	BEZEL MOUNTING BRACKET, RIGHT
18	26606	STIFFENER BRACKET, BACK COVER
19	83056	BUSHING
20	36288	EXHAUST DUCT 30" SING
21	27595	MALE PROBE
22	36292	COVER, EXHAUST DUCT
23	36329	BACK COVER
24	26584	CONDUIT BRACKET
25	82986	COOLING FAN
26	26635	REAR, TOP COVER
27	83023	SCREW, SLOT HWH, #10 x 3/8"
28	83571	SCREW, WASHER HD #8 x 3/8"
29	83534	SCREW, WAFER HD #8 x 3/8"
30	83026	SCREW, SLOT HWH #10 x 3/4"
31	83263	SCREW, PHIL WAFER #8 x 3/8"

ECS136 Wall Oven Door Assembly



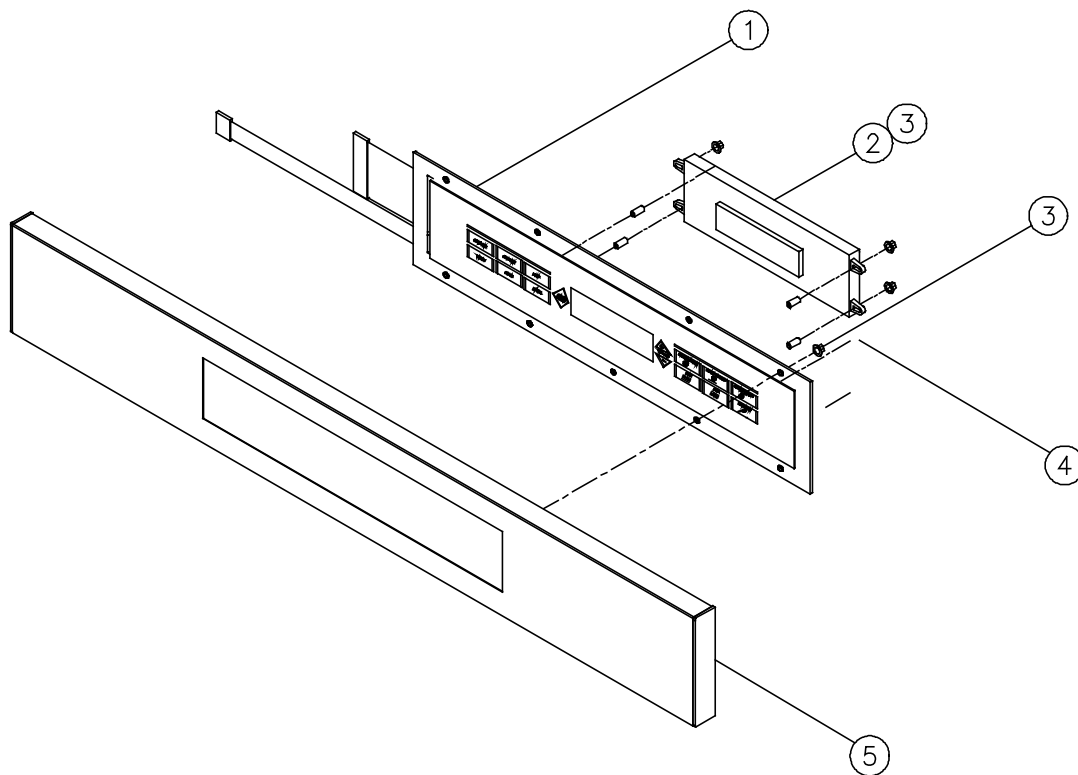
Item	Part #	Description
1	27740BP	INNER LINER ASSY
2	80216	DOOR INSULATION
3	72535	DOOR GASKET
4	72148	WINDOW PACK
5	83418	RETAINER, NUT
6	83499	SCREW, PHL, BLACK
7	72428	HINGE, LEFT
8	36752	HEAT SHIELD
9	36377BP	WINDOW MASK
10	36622	HEAT SHIELD, DOOR

Item	Part #	Description
11	66837Sxx ^{1,2}	OUTER DOOR ASSEMBLY
12	83555	FIBER WASHER
13	72349	HINGE, RIGHT
14	83340	LOCK WASHER
15	83420	ALLEN SCREW
16	27780BP	OUTER LINER ASSEMBLY
17	66836	INNER DOOR ASSEMBLY
18	83263	SCREW, WASHER HEAD
19	83042	SCREW, BLACK
20	13523Sxx ¹	HANDLE, DOOR

¹Specify trim color: BR = brass, BK = Black, CH = Chrome, CP = Copper

²Includes door handle, item 20.

ECS136 Wall Oven Bezel Assembly



Item	Part #	Description
1	62682B	MEMBRANE SWITCH PANEL
2	62964	ERC
3	83308	6-32 KEPS NUT
4	83189	SPACER
5	66835	BEZEL SKIN ASSEMBLY