

The Life of the Kitchen

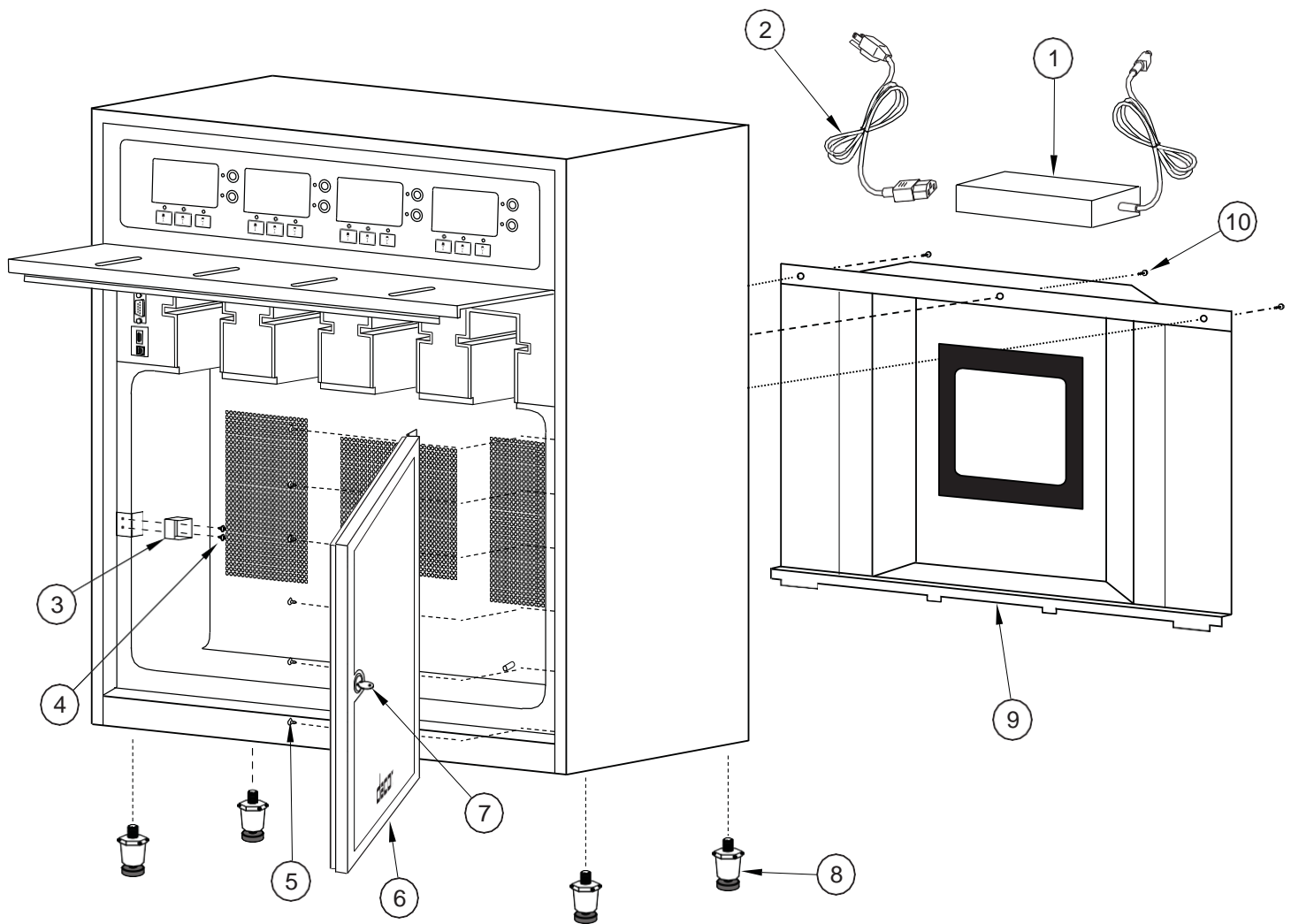
PARTS CATALOG

DYWS4 Wine Dispensing System

Page #	Description
2	Outer Chassis Assembly
3	Bottle Bay Assembly
4	Back Panel Assembly
5	Control Panel Assembly
6	Control Panel Parts
7	Miscellaneous

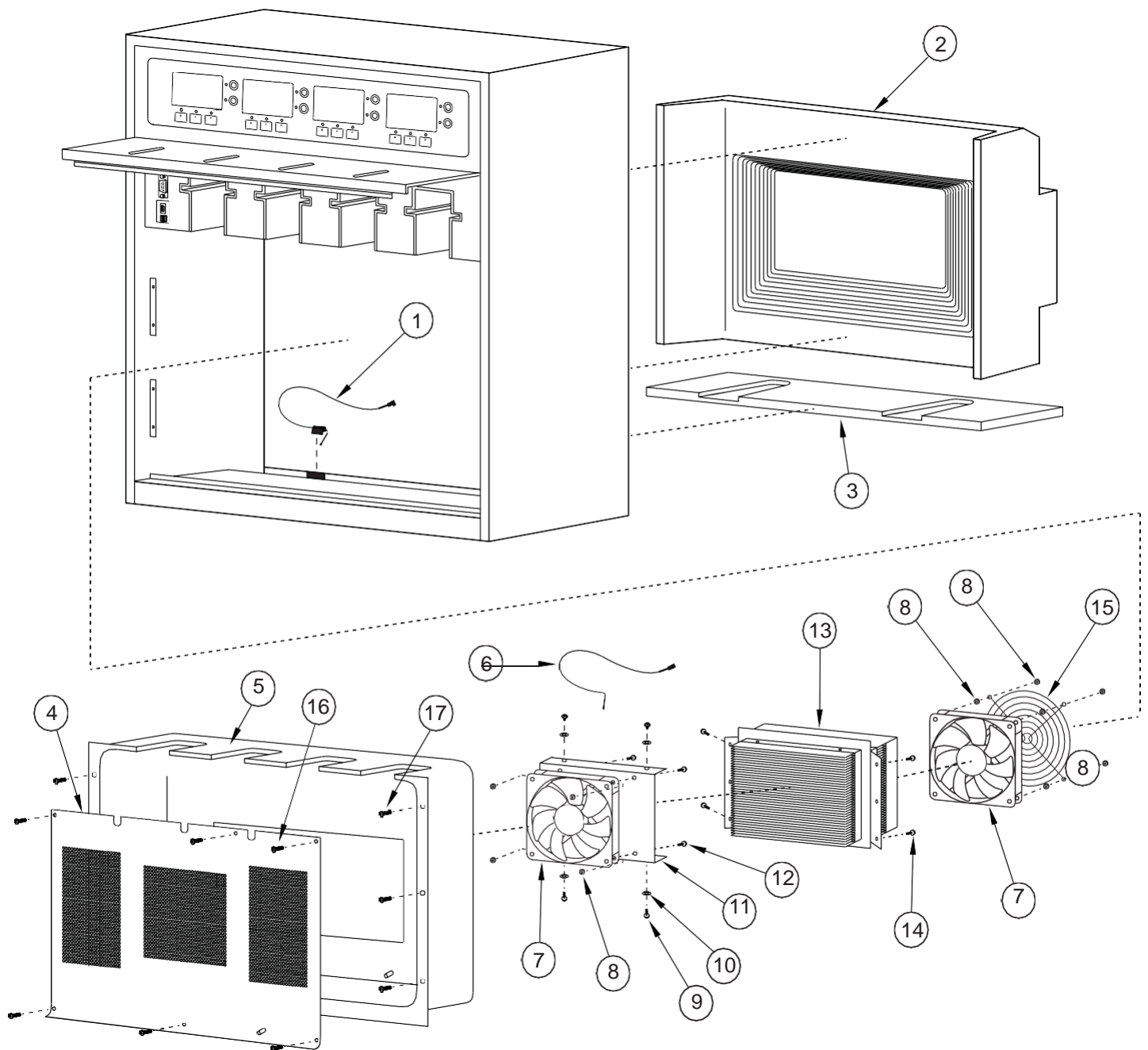
Revised 10-12-2016

DYWS4 Outer Chassis Assembly



Item	Part #	Description
1	107355	Power Supply (does not include power cord - item 2)
2	107841	AC Power Cable (without power supply)
3	-	Door Catch (special order)
4	107851	Screw, Pan Head, Phillips, 4-40 x 3/8
5	107852	Screw, Flat Head, Phillips, 4-40 x 1/4 (included with door assembly)
6	107842	Door Assembly with plexi-glass (includes item 7 mounting screws)
	107843	Plexiglass only
7	107579	Replacement Key
8	107844	Foot
9	107845	Rear Panel Assembly (Chimney)
10	83358	Screw, Pan Head, Phillips, 8-32 x 3/8

DYWS4 Bottle Bay Assembly

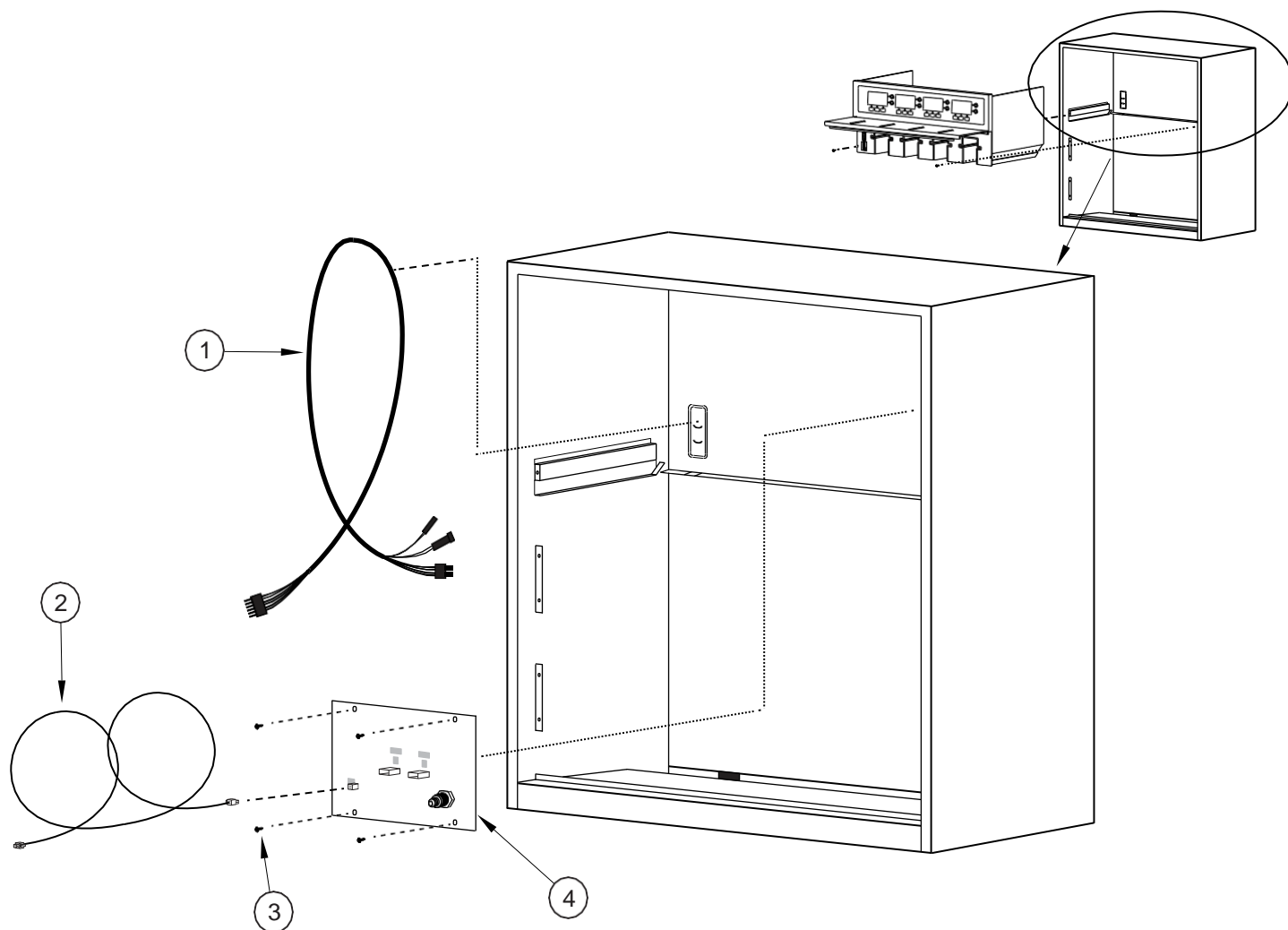


Item	Part #	Description
1	107349*	Temperature Sensor Assy, Inlet (kit)*
2	reference	Insulation Back
3	reference	Insulation Bottom
4	107846	Back Panel, Bottle Bay, (center vent must be covered when used with dual zone partition)
5	reference	Bottle Bay Liner Assembly
6	107349*	Temperature Sensor Assy, Bottle Bay (kit)*
7	107350	Fan Assy

* Kit includes both items 1 and 6 (must order both).

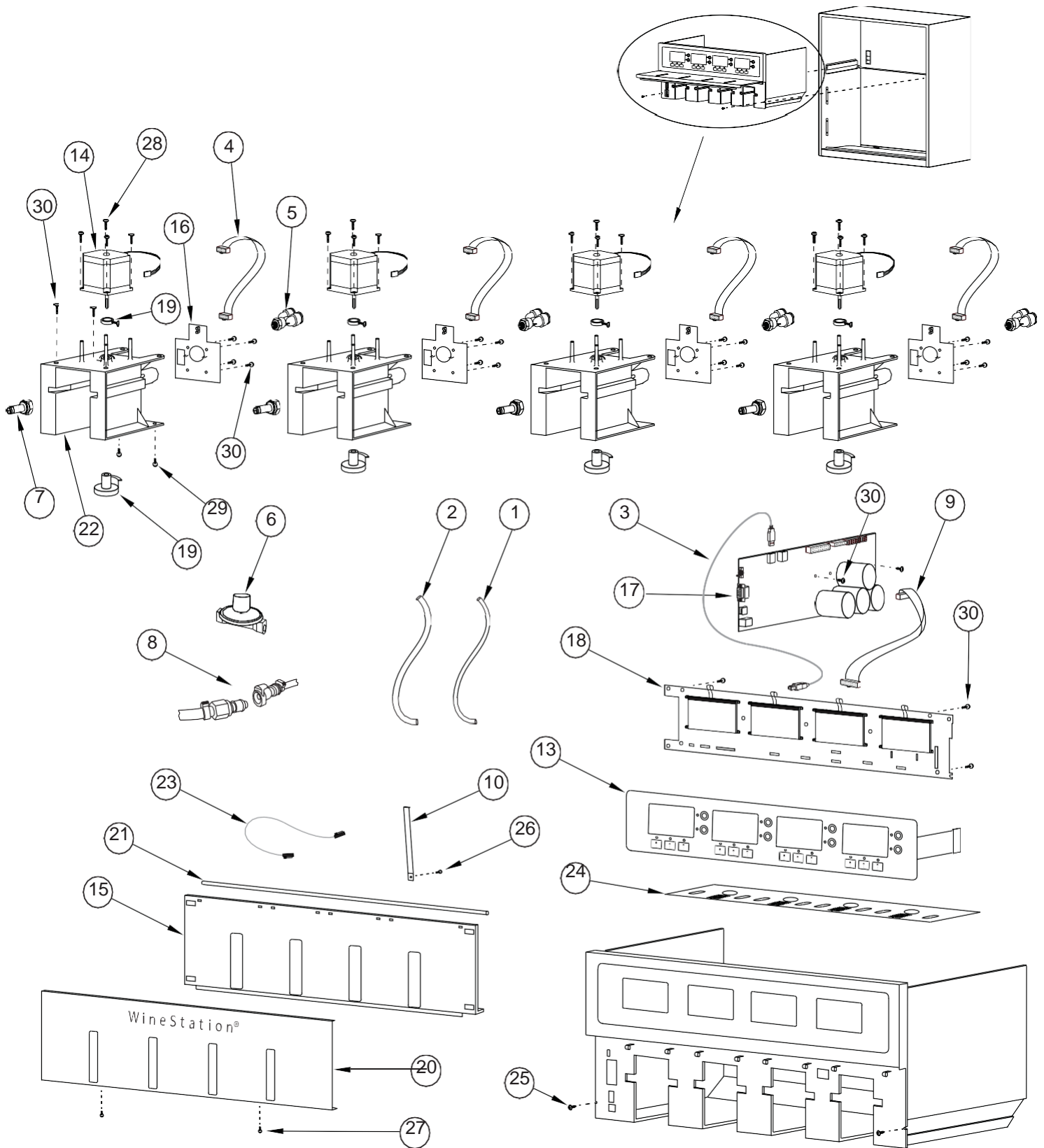
Item	Part #	Description
8	-	Nut
9	-	Screw, Pan Head, Phillips
10	83232	Flat Washer, #8
11	reference	Front Fan Cover
12	-	Screw, Pan Head, Phillips
13	107361	Thermo-electric Cooling Module (TEC)
14	-	Screw, Pan Head, Phillips, #10 x 1/2
15	reference	Fan Cover
16	107853	Screw, Pan Head, Phillips, 6-32 x 1/2, T/C
17	107854	Screw, Flat Head, Phillips, 8-32 x 1/2, Blk

DYWS4 Back Panel Assembly



Item	Part #	Description
1	107351	Cable, TEC to Switch TEC Board
2	107343	Cable, Power to Switch TEC Board (4-wire, 2 red, 2 black)
3	83232	Screw, Flat Head, Phillips, 4-40 X 5/16
4	107354	Back Panel Board

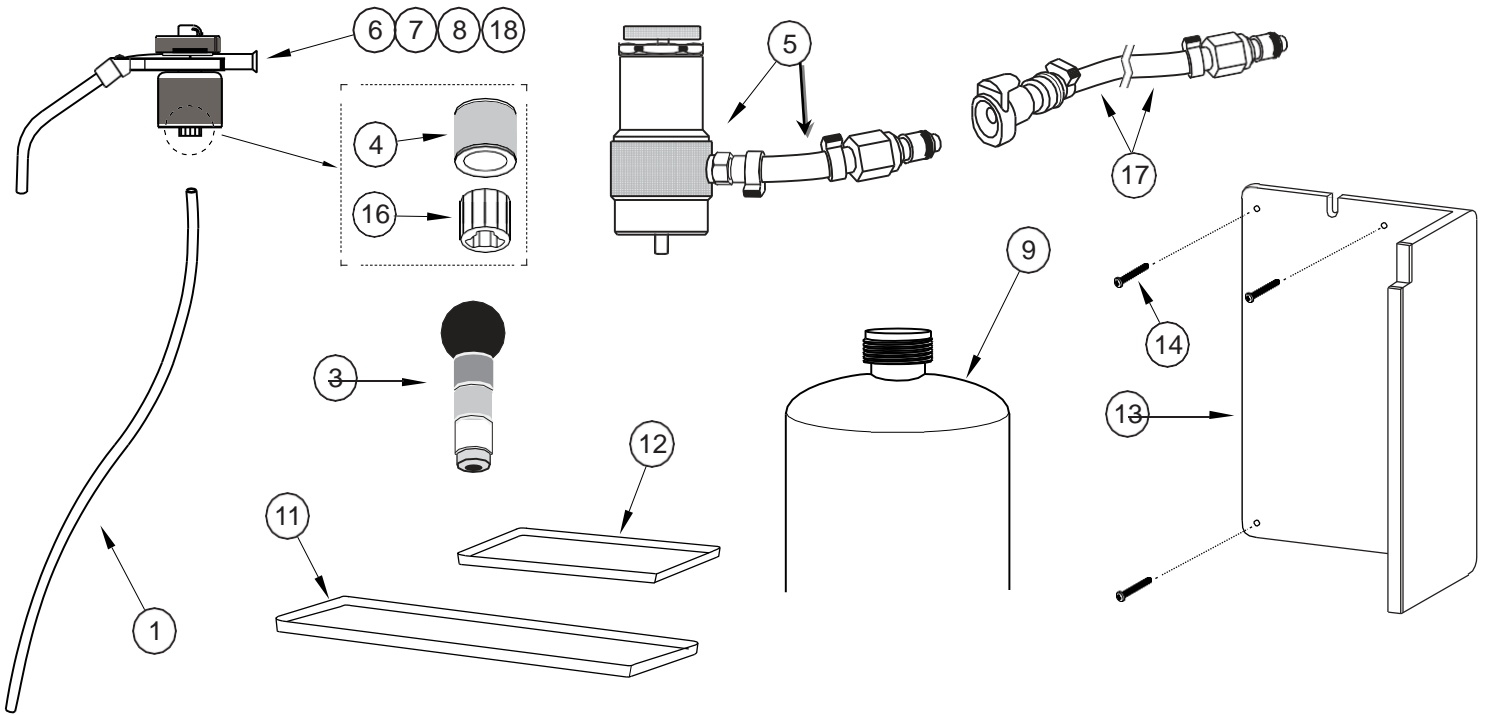
DYWS4 Control Panel Assembly



DYWS4 Control Panel Parts

Item	Part #	Description
1	107338	Gas Sensor Tubing (purchase by the foot)
2	107339	Bay Tubing (purchase by the foot)
3	107340	Cable, USB, A to B, 2 Foot
4	107341	Cable, Bay Board
5	107342	Y Connector, Gas
6	107344	Internal Gas Regulator
7	107345	Gas Stem (to replace nut- 3/8 Hex Nut, use part number 1500-0021)
8	107346	Gas Quick Disconnect Kit (includes 1 male fitting, 1 female fitting, 2 clamps)
9	107347	Cable, Main Board to Switch TEC Board
10	107348	Hinge Spring
11	107352	LCD Backlight (not shown)
12	107353	Main (internal) Gas Line Assembly (not shown - includes 1 male fitting, 1 female fitting, 10 ft of bay tubing, 1 filter, 4 clamps)
13	107356	Membrane Switch
14	107357	Motor
15	107358	Bottle Bay Board Light Assembly
16	107359	Bay Board Assembly
17	107360	Switch TEC Board Assembly
18	107362	Main Board
19	107847	Actuator and Collar
20	107848	Spout Cover (includes item 15)
21	-	Hinge Pin
22	-	Motor Bracket
23	107820	Cable, LED
24	107850	Bay Guide Gasket
25	83336	Screw, Pan Head, Black, Phillips, 8-32 x 1/2
26	107855	Screw, Pan Head, Phillips, 6-32 x 1/4
27	-	Screw, M3-.5 X 8 PH FLAT SST RoHS
28	107856	Screw, Pan Head, Phillips, M4 X 12 PT OVAL HD SCR T-H STL ZN
29	107857	Screw, Flat Head, Phillips, #6 x 1/2
30	-	Screw, Pan Head, Phillips, #6 x 1/4

DYWS4 Miscellaneous



Item	Part #	Description
1	AWSPT	Pickup tubes (package of 10)
2	AWSSS	Silicon spray, food grade (11 oz. spray can, not shown)
3	AWSSZ	Bottle sizing tool
4	AWSCPG20	Clean-Pour dispensing head gaskets, package of 20 (8 red, 8 white, 4 green)
5	AWSHXR	Regulator assembly (includes quick connect fitting)
6	AWSCPR	Dispensing head with red gasket (4)
7	AWSCPW	Dispensing head with white gasket (4)
8	AWSCPG	Dispensing head with green gasket (4)
9	107417	Argon gas canister
	AWSAGC	Argon gas canister (3-pack)
10	AWSDC	Drip cloth (not shown)
11	AWSDT	Drip Tray, Standard
12	107858	Drip Tray, Dual Zone
13	AWSMZ	Partition, Dual Zone bottle bay back panel (see page 3)
14		Screw, Phillips Pan Head, #8 x 1 1/4, T-AB T/S Blk (included with item 13)
15	A302	Dacor Stainless Steel Cleaner
16	108508	Gasket nut for dispensing head*
17	107353	Main gas line assembly
18	AWSCPM	Dispensing heads (4) with gaskets (2 red; 2 white)

*New version shown. New version is compatible older units that came equipped with shorter gasket nuts without ribs that were added later for easier removal.