

dacor

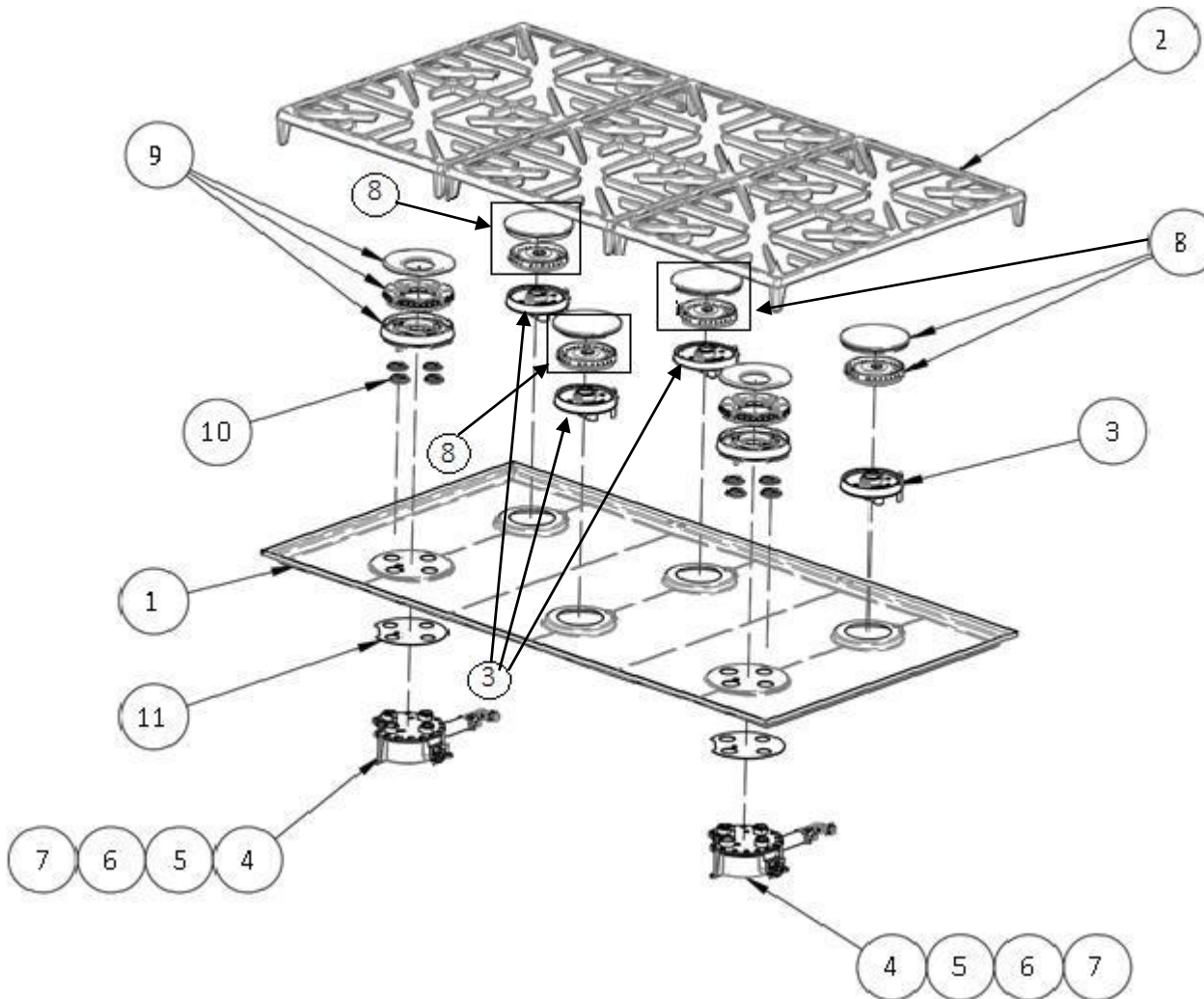
LET THE SHOW BEGIN

DYRP48D



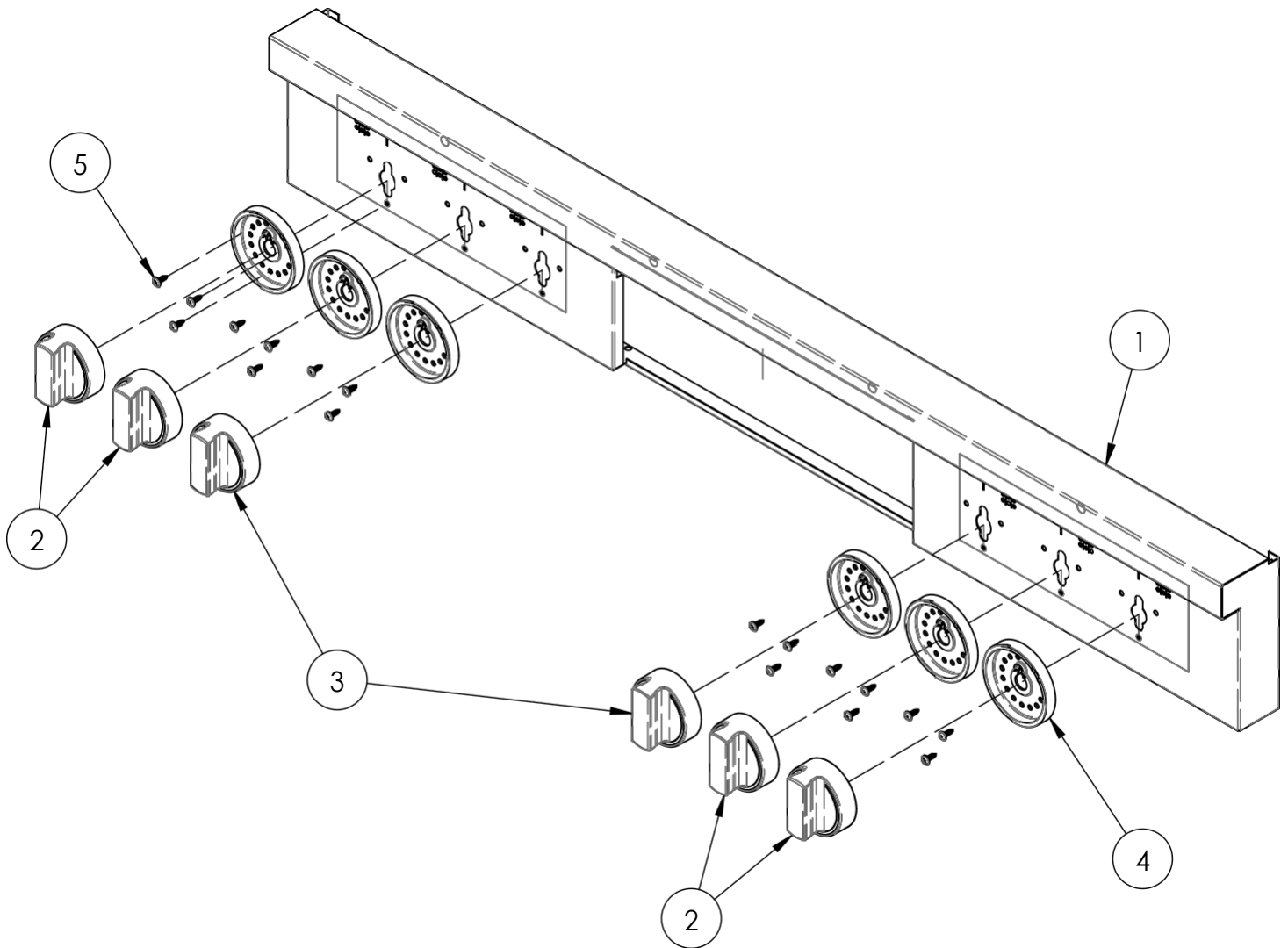
DYRP48D

TOP FRAME



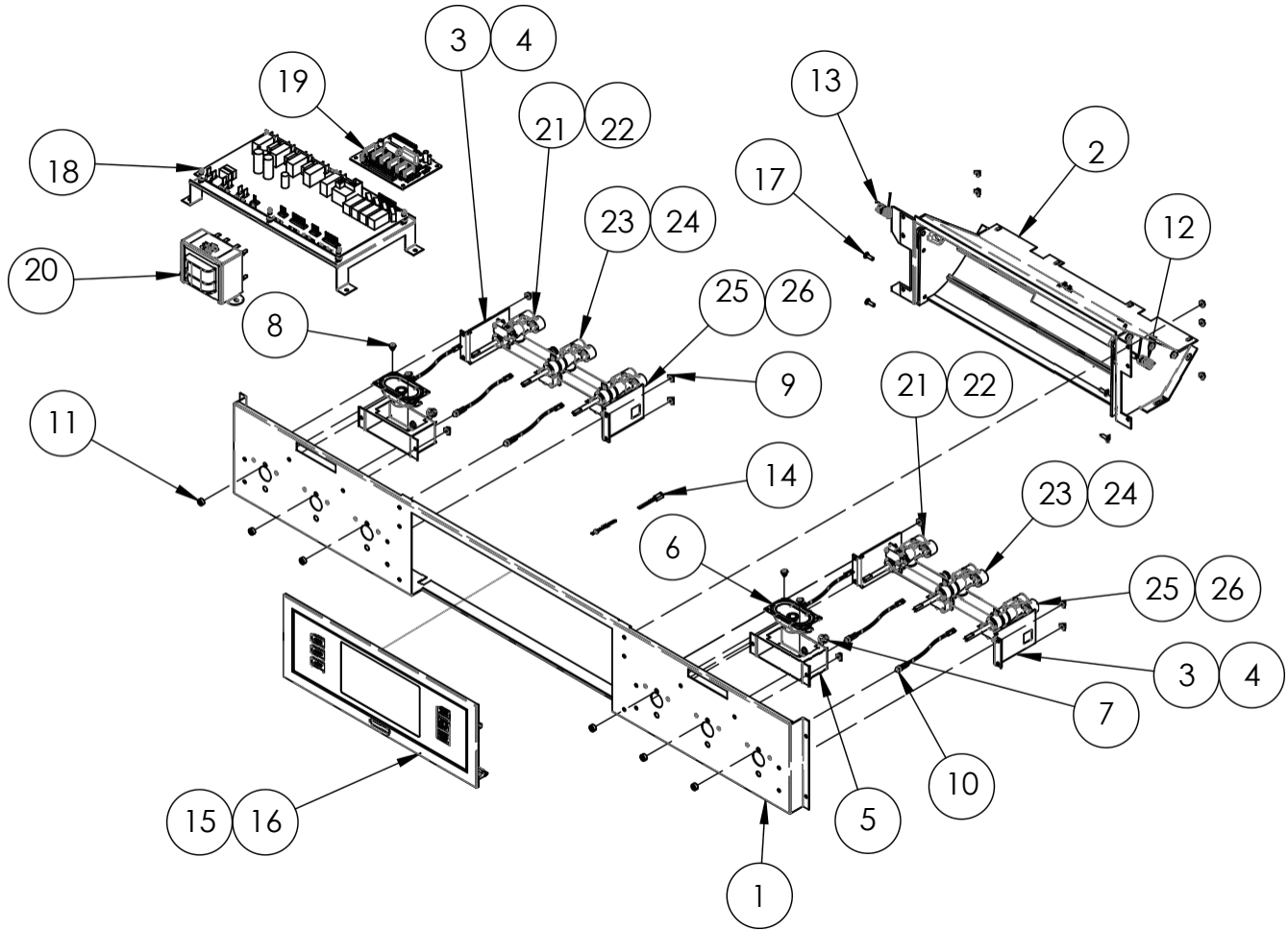
ITEM NO.	PART NUMBER	DESCRIPTION
1	107773BP	SPILL TRAY, BLACK PORCELAIN
2	101524	GRATE, 4 FINGER, 14" X 23"
3	100702	ASSY, BASE, 16K
4	701985-01	ASSY, DUAL BURNER, 18K, NG
5	701985-02	ASSY, DUAL BURNER, 18k, LP
6	701985-03	ASSY, DUAL BURNER, 18k, NGH
7	701985-04	ASSY, DUAL BURNER, 18k, LPH
8	702186	PACK, BURNER RING/BURNER
9	100703	PACK, BURNER
10	700017	BRASS RING M22 X 1
11	700145	GASKET, DUAL BURNER, GRAPHITE

CONTROL PANEL



ITEM NO.	PART NUMBER	DESCRIPTION
1	701981E	WELDMENT, CTRL PANEL, ETCHED
2	107761-01	KNOB, ILLUMINATED, SIMMER
3	107761-02	KNOB, ILLUMINATED, GRIDDLE
4	107762S	RING, TRIM
5	83709	SCREW, #8 X 1/2", TORX, BLK OXIDE

SUB-PANEL



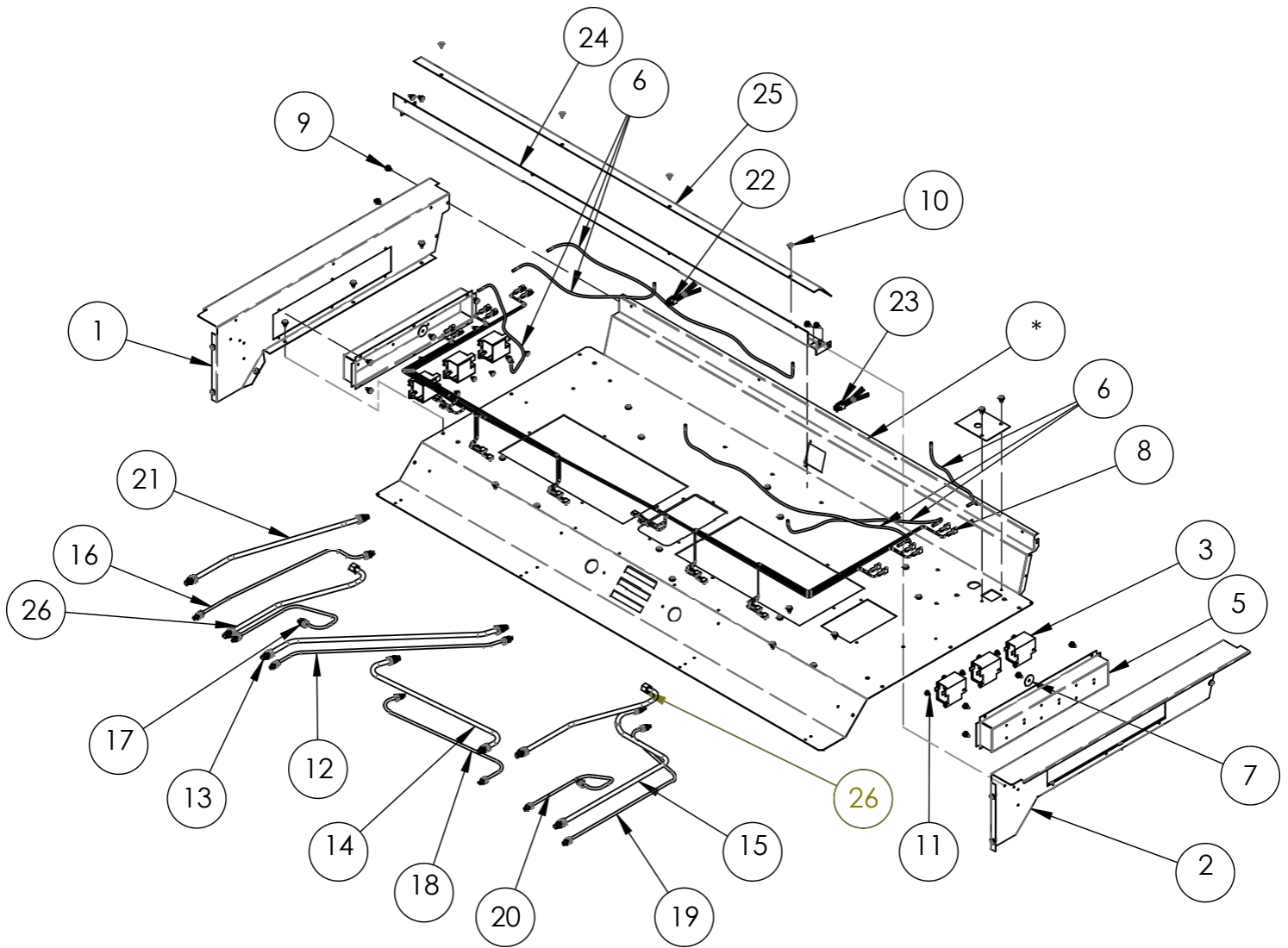
ITEM NO.	PART NO	DESCRIPTION	NOTE
1	701975	ASSY, STUD, SUB-PANEL	
2	701956	ASSY, CTRL, FLIP-UP	
3	701977-01	ASSY, MANIFOLD, 48IN, NG	
4	701979-02	ASSY, MANIFOLD, 48IN, LP	
5	107879	HOUSING, SPEAKER	
6	107462	OVAL SPEAKER	
7	83523	BUSHING, 3/8"	
8	83001	SCREW, PHIL PAN HD, 8 x 1/4"	
9	83308	6-32 KEPS NUT	
10	103705	ASY, LED/SOCKET	
11	103757	RETAINING RING, LED	
12	100062	SPRING, TORSION, RIGHT	
13	100063	SPRING, TORSION, LEFT	
14	108472	HARNES, SPEAKER WIRE	
15	701994-01	ASSY, PANEL, CTRL, DUAL	FOR REV-A
16	702651-01	ASSY, PANEL, CTRL, DUAL	FOR REV-B
17	100439	SCREW, #8-32 X 1/2, TORX, C-SINK	

ITEM NO.	PART NO	DESCRIPTION	NOTE
18	701988-02	ASSY, RELAY BOARD, DOUBLE	
19	106104	BOARD, LED ISOLATOR	
20	100832	80VA TRANSFORMER	
21	101561-05	VALVE, 16k BTU, RH, NG	
22	101561-10	VALVE, 16k BTU, RH, LP	
23	101561-03	VALVE, 18k BTU, NG	
24	101561-08	VALVE, 18k BTU, LP	
25	101561-02	VALVE, 16k BTU, LH, NG	
26	101561-07	VALVE, 16k BTU, LH, LP	

Serial Number Example
F-A-15350123

The 2nd letter on the serial number is the rev.

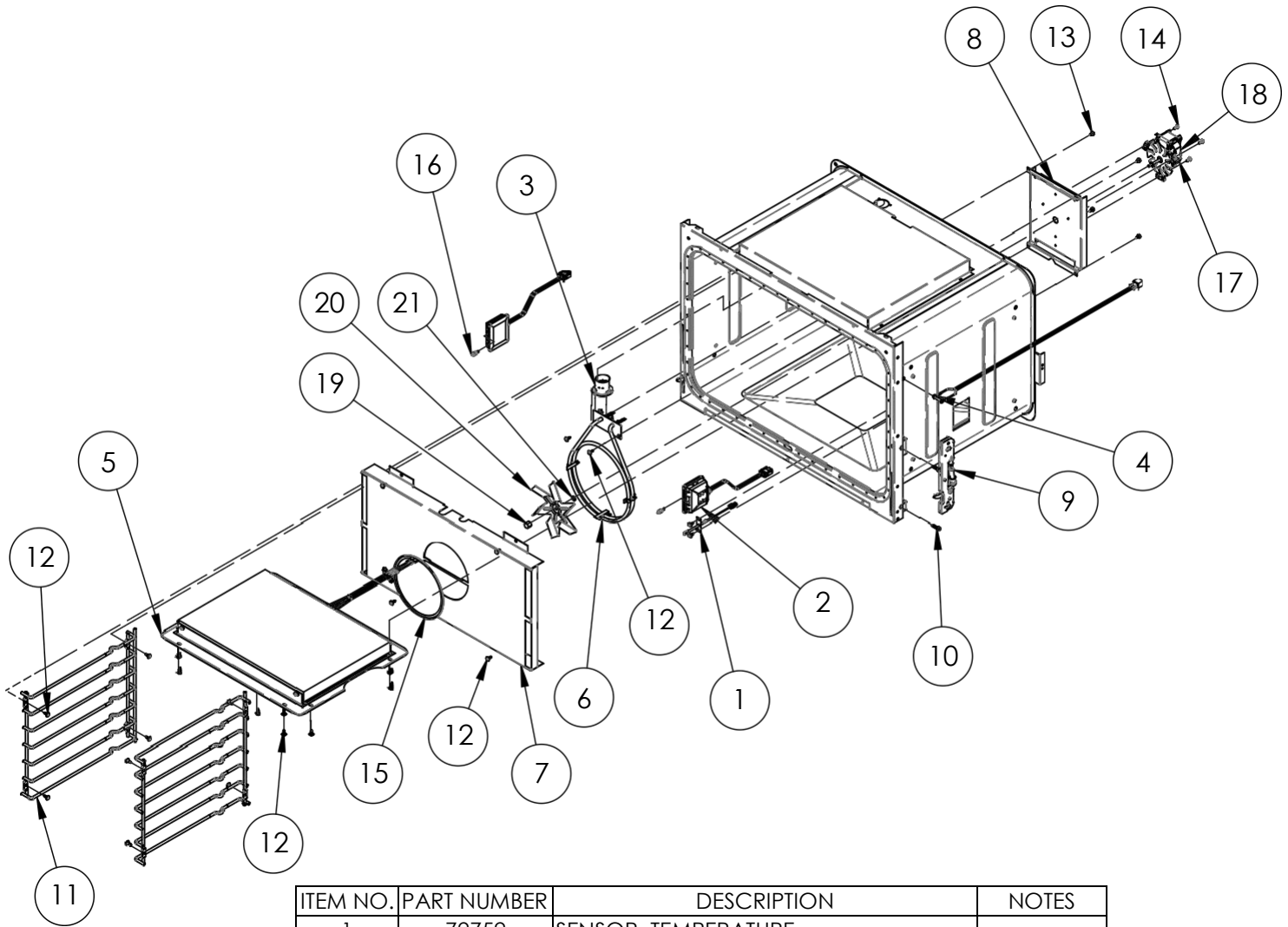
COOKTOP GAS TUBING



ITEM NO.	PART NUMBER	DESCRIPTION
1	107873-01	SUPPORT, UPPER, LH
2	107873-02	SUPPORT, UPPER, RH
3	72634	RE-IGNITION MODULE
4	102159	PLATE COVER, MANIFOLD HOLE
5	108238	BOX, ENCLOSURE, IGNITER
6	108379	SET, IGNITER WIRE
7	83533	WASHER, .88OD X .165ID
8	108380	WIRE HARNESS, 110 VAC LINE
9	83023	SCREW, SLOT HWH, #10 X 3/8
10	83263	SCREW, PHILL, ROUND WASHER, HD.
11	83001	SCREW, PHIL PAN HD, 8 x 1/4"
12	100580	S.S. FLEXTUBING 3/16 X 18, M./M.
13	100579	S.S. FLEXTUBING 5/16 X 18, M./M.
14	100579	S.S. FLEXTUBING 5/16 X 18, M./M.

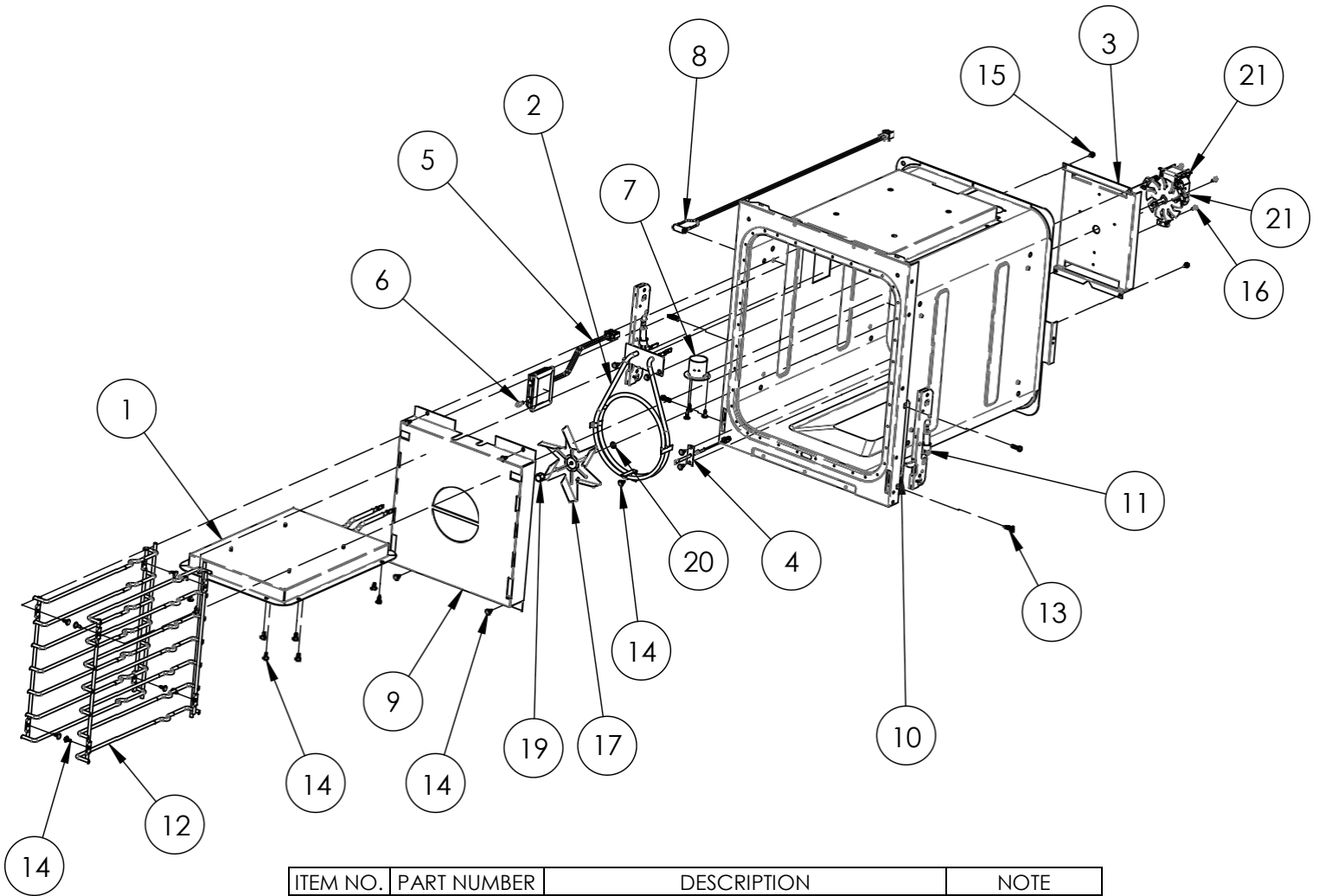
ITEM NO.	PART NUMBER	DESCRIPTION
15	100579	S.S. FLEXTUBING 5/16 X 18, M./M.
16	100900	S.S. FLEXTUBING 3/16 X 16, M./M.
17	100900	S.S. FLEXTUBING 3/16 X 16, M./M.
18	100900	S.S. FLEXTUBING 3/16 X 16, M./M.
19	100900	S.S. FLEXTUBING 3/16 X 16, M./M.
20	100900	S.S. FLEXTUBING 3/16 X 16, M./M.
21	108231	S.S. FLEXTUBING 5/16 X 14.5, M./M.
22	108376	WIRE HARNESS, COOKTOP
23	108377	WIRE HARNESS, COOKTOP
24	107876	SUPPORT, SPILL TRAY
25	107979	SHIELD, HEAT
26	108232	S.S. FLEXTUBING 5/16 X 14.5, M./F.

CELL ASSY.



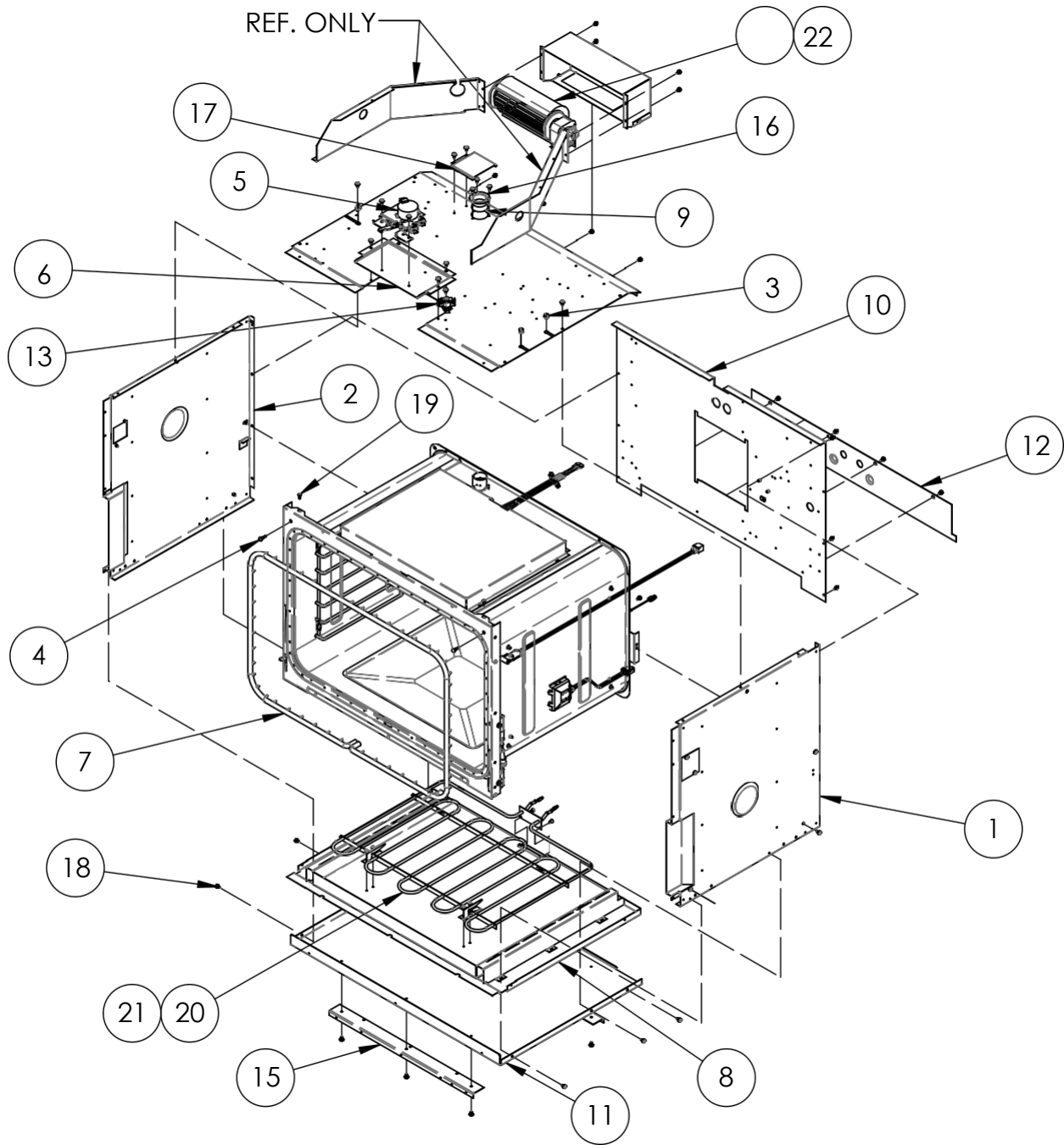
ITEM NO.	PART NUMBER	DESCRIPTION	NOTES
1	72752	SENSOR, TEMPERATURE	
2	92398	ASSY, LIGHT, HALOGEN, 20W	
3	72755	ELIMINATOR, SMOKE	
4	72717	MEAT PROBE SOCKET	
5	701529	ASSY, BROIL	
6	72719	ELEMENT, CONVECTION	
7	105329	CONVECTION BAFFLE	
8	36280	PLATE, MTG, CONV. MOTOR	
9	107511	DAMPER, RECEPTACLE, HINGE	
10	108240	#10-32 X .75, HEX HD, MACHINE SCREW	
11	106991	SUPPORT RACK	
12	83708	SCREW, TRX WFR HD, #8 X 1/2"	
13	83023	SCREW, SLOT HWH, #10 X 3/8	
14	83379	SCREW, #8-1/2 THREAD TYPE A	
15	82891	FILTER, CONVECTION, OVEN	
16	108774	BLUB, HALOGEN, 50W, 130V	
17	700633	KIT, CONVECTION FAN	
18	102145	CONVECTION MOTOR	P/O 700633
19	102137	HEX NUT, CONVECTION FAN	P/O 700633
20	101511	CONVECTION FAN BLADE	P/O 700633
21	102136	WASHER, CONVECTION FAN	P/O 700633

18" CELL ASSY.



ITEM NO.	PART NUMBER	DESCRIPTION	NOTE
1	701963	ASSY, BROIL, 18IN CELL	
2	82377	CONVECTION ELEMENT	
3	36280	PLATE, MTG, CONV. MOTOR	
4	72752	SENSOR, TEMPERATURE	
5	92398	ASSY, LIGHT, HALOGEN, 20W	
6	100429	BULB, HOLOGEN, 20w	
7	72755	ELIMINATOR, SMOKE	
8	72717	MEAT PROBE SOCKET	
9	107784	BAFFLE, CONVECTION, 18IN CELL	
10	107510	RECEPTACLE, HINGE	
11	107511	DAMPER, RECEPTACLE, HINGE	
12	106991	SUPPORT RACK	
13	108240	#10-32 X .75, HEX HD, MACHINE SCREW	
14	83708	SCREW, TRX WFR HD, #8 X 1/2"	
15	83023	SCREW, SLOT HWH, #10 X 3/8	
16	83379	SCREW, #8-1/2 THREAD TYPE A	
17	101511	CONVECTION FAN BLADE	P/O 700633
18	102137	HEX NUT, CONVECTION FAN	P/O 700633
19	102136	WASHER, CONVECTION FAN	P/O 700633
20	102145	CONVECTION MOTOR	P/O 700633
r Parts Dept. 800-793-0093 x3815 / Tech. Dept. 800-793-0093 x3815			

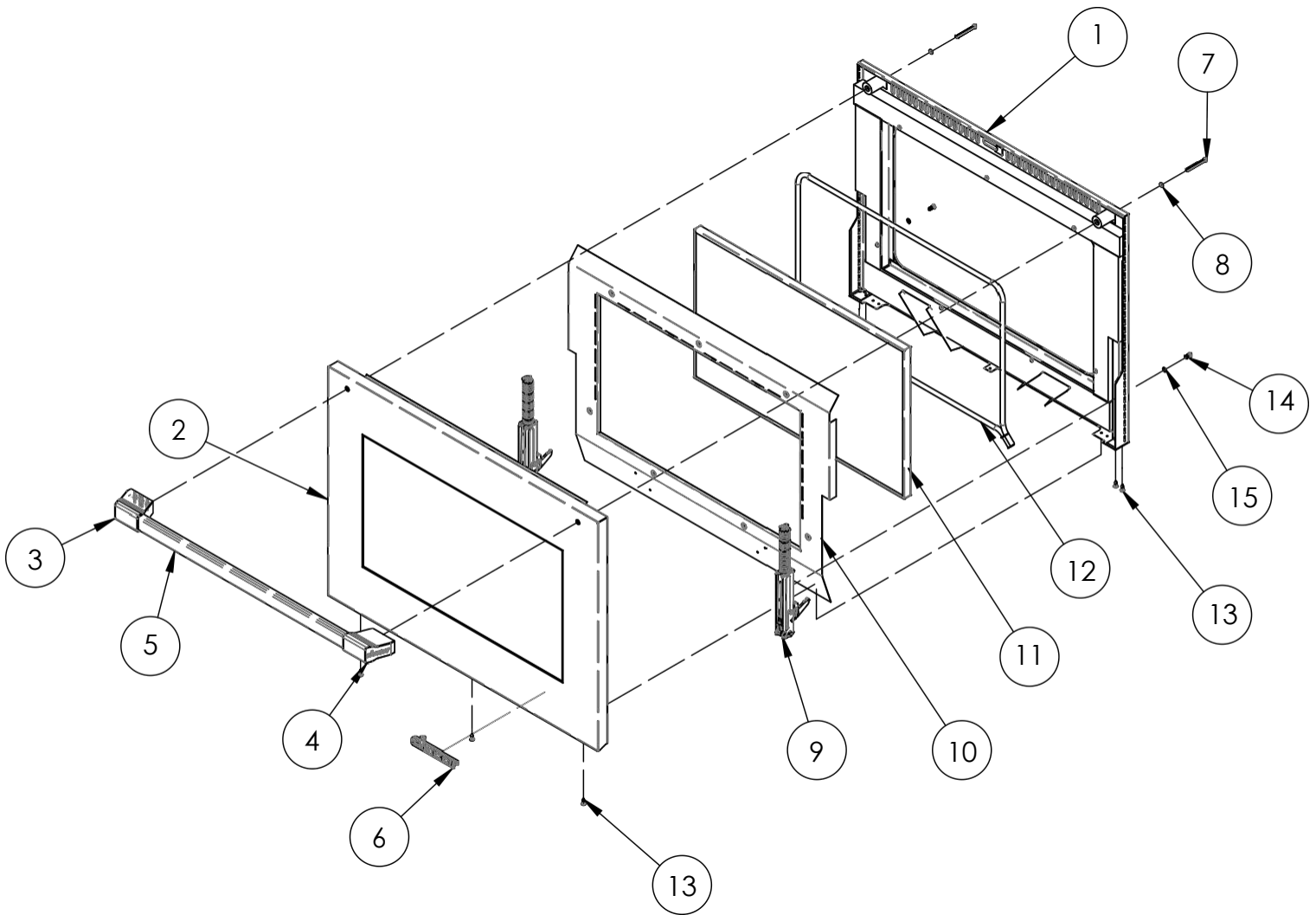
CASE ASSY.



ITEM NO.	PART NO.	DESCRIPTION	NOTE
1	701851	WELDMENT, CASESIDE RT	
2	701852	WELDMENT, CASESIDE LF	
3	83523	BUSHING, 3/8"	
4	83618	RUBBER BUMPER	
5	701191	SERVICE KIT, DOOR LATCH	
6	105356	LATCH PLATE	
7	107743	GASKET CELL, 36"	
8	701960	ASSY, BAKE, 30.25IN	
9	107776	TOP, CASE, 30.25IN	
10	701961	WELDMENT, CASE REAR	

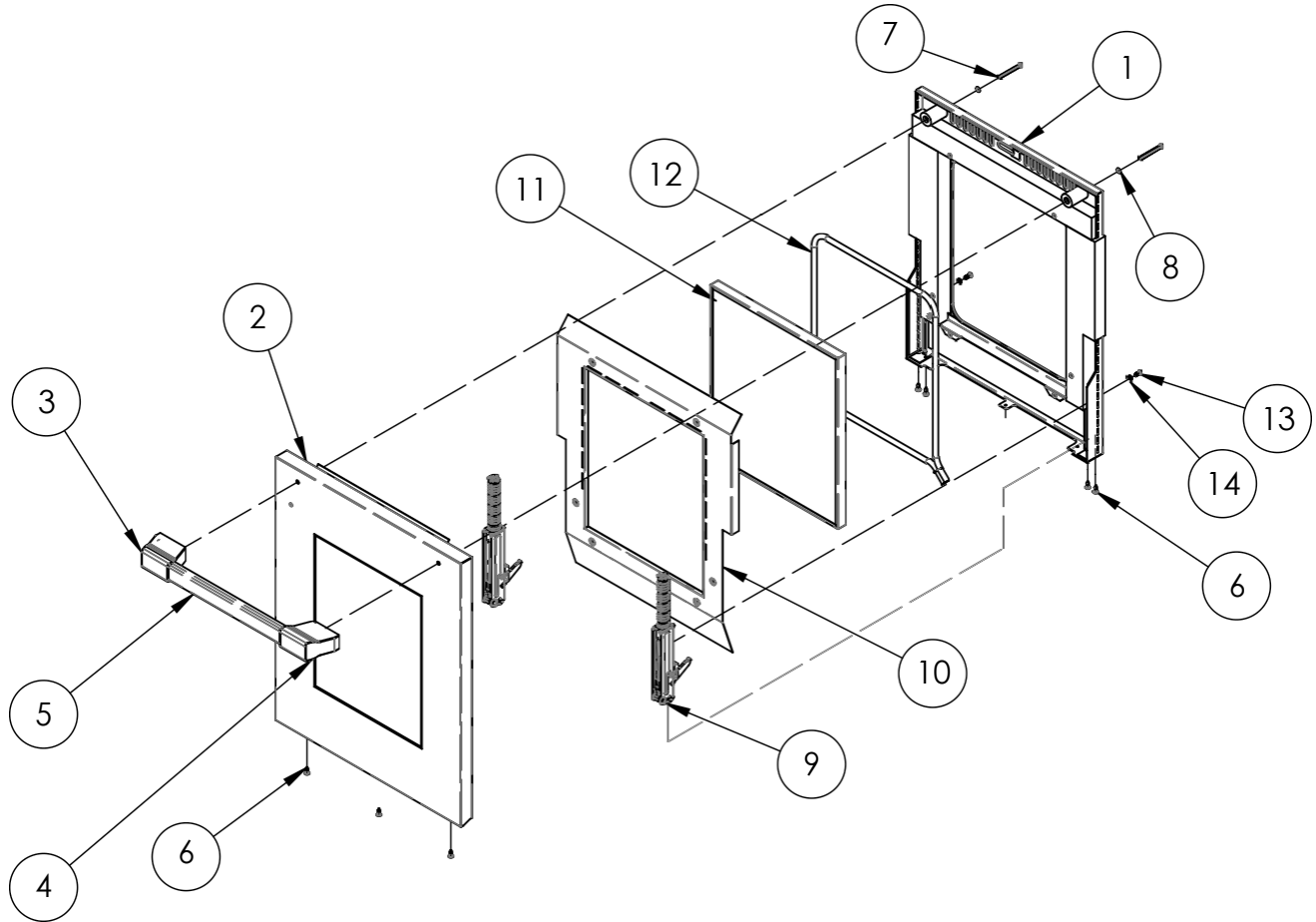
ITEM NO.	PART NO.	DESCRIPTION	NOTE
12	107777	COVER, BAKE ACCESS, 30.25IN	
13	82987	THERMAL SW, HI TEMP CUTOUT TYPE "M2"	
14	82891	FILTER, CONVECTION, OVEN	
15	108070	BRKT, CELL MOUNTING, 30.25IN	
16	105485	SMOKE ELIMINATOR TOP	
17	107778	DUCT, SMOKE	
18	83023	SCREW, SLOT HWH, #10 X 3/8	
19	83709	SCREW, #8 X 1/2", TORX, BLK OXIDE	
20	106898	BAKE ELEMENT, 10-PASS, 3000W, 240V	
21	83505	SCREW, #8x3/8, TYPE A	
22	701987	ASSY, FAN, COOLING	DYRP48

DOOR ASSY.



ITEM NO.	PART NUMBER	DESCRIPTION
1	702301-01	ASSY. DOOR LINER
2	701904	ASSY, DOOR SKIN
3	107815-02S	END CAP, HANDLE, LH, PRO
4	107815-03S	HANDLE, END CAP, RH, LOGO
5	107781-04	30" DOOR HANDLE
6	107924	DACOR LOGO 5"
7	100026	SCREW, #10-32 X 2.000, TORX, PAN HEAD
8	83340	#10 LOCK WASHER
9	108006	HINGE, SPRING
10	108331B	SHIELD, HEAT, 30.25"
11	72968	WINDOW PACK, 30.25"
12	100015	GASKET, WINDOW PACK, 36"/48"
13	83709	SCREW, #8 X 1/2", TORX, BLK OXIDE
14	83420	SCREW, BTN SHCS, #10-32x1/2
15	83432	WASHER, BLACK, FLAT

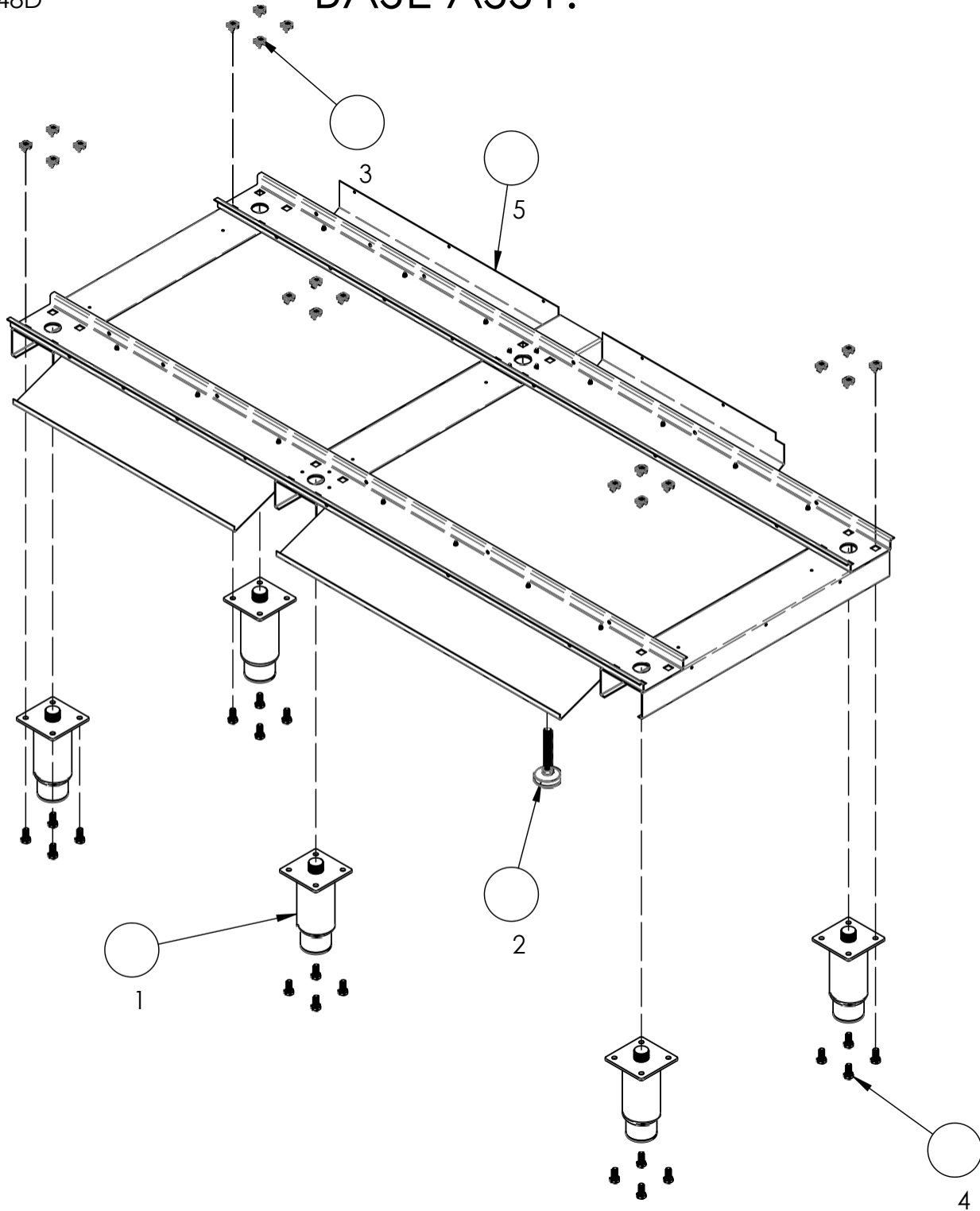
18" DOOR ASSY.



ITEM NO.	PART NUMBER	DESCRIPTION
1	701900	ASSY, DOOR LINER, 18IN
2	701901	ASSY, DOOR SKIN, 18IN
3	107815-01S	HANDLE, END CAP, LH, LOGO
4	107815-04S	END CAP, HANDLE, RH PRO
5	107781-01	18" DOOR HANDLE
6	83709	SCREW, #8 X 1/2", TORX, BLK OXIDE
7	100026	SCREW, #10-32 X 2.000, TORX, PAN HEAD
8	83340	#10 LOCK WASHER
9	108007	HINGE, SPRING
10	107646	SHIELD, HEAT, 18"
11	107660	WINDOW PACK, 18"
12	107659	GASKET, WINDOW PACK, 18"
13	83420	SCREW, BTN SHCP, #10-32 x 1/2
14	83432	WASHER, BLACK, FLAT

DYRP48D

BASE ASSY.



ITEM NO.	PART NUMBER	DESCRIPTION
1	700000	LEG, NEW .500"
2	106440	LEVELER, ADJUSTABLE
3	83398	NUT, RETAINER, 1/4-20 TINNEMAN
4	83397	SCREW, CAP, 1/4 -20 X 5/8
5	701970	ASSY, BASE

Plastic insert, Leg 66813