

# ***dacor***

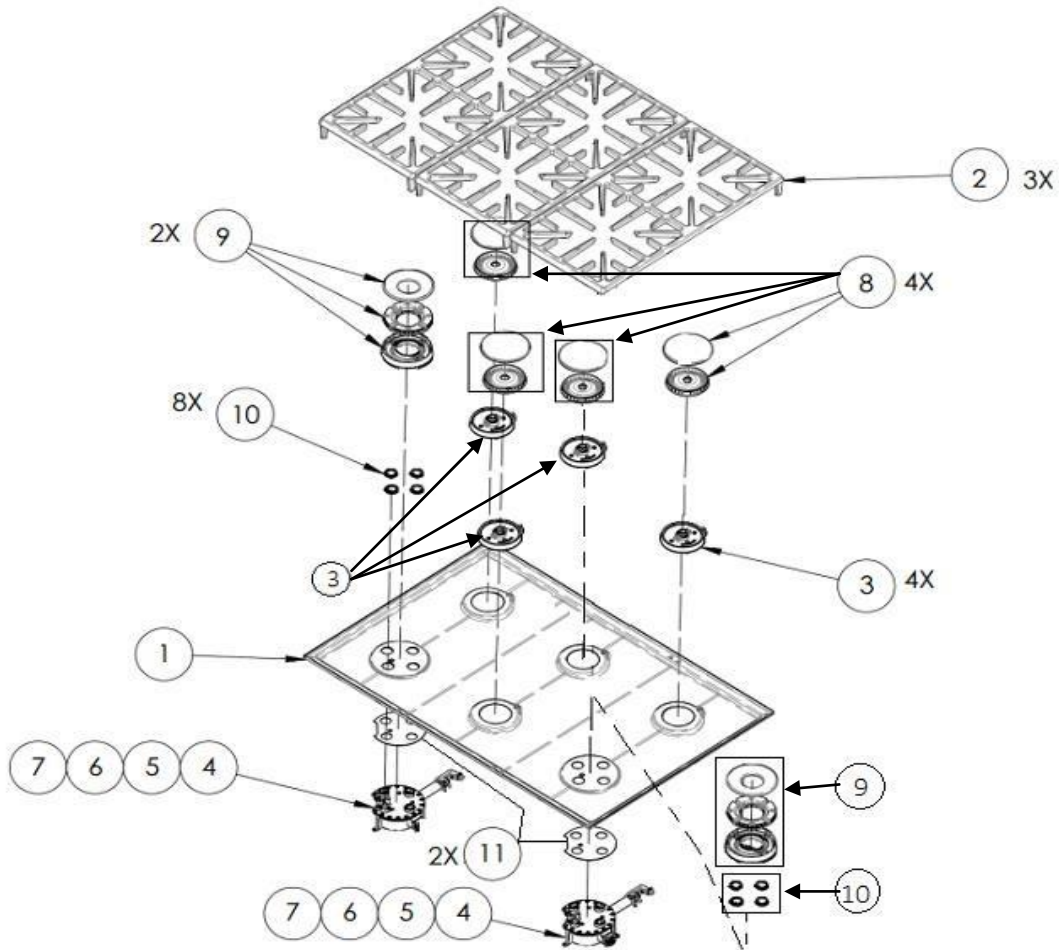
LET THE SHOW BEGIN

## DYRP36D



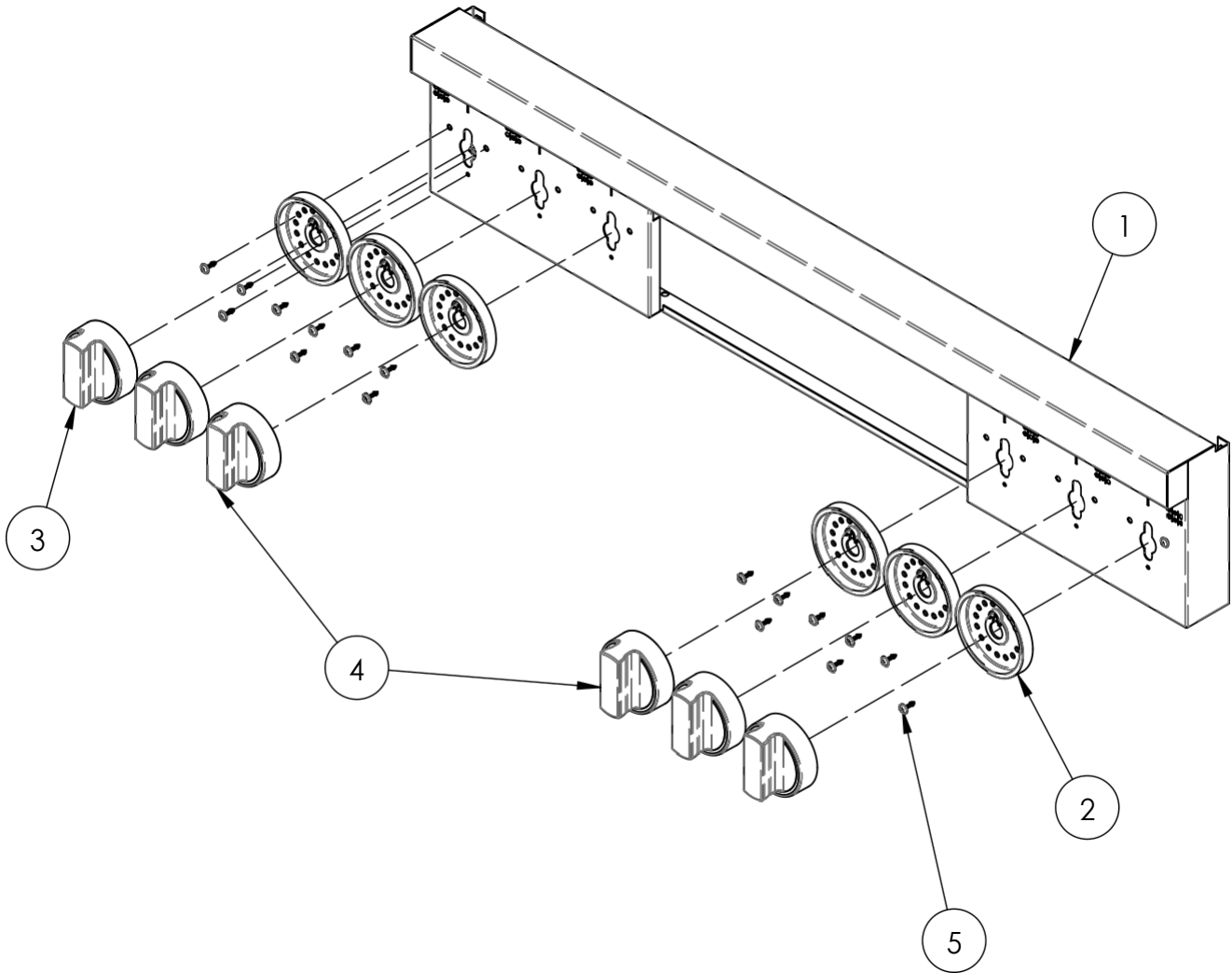
DYRP36D

# TOP FRAME



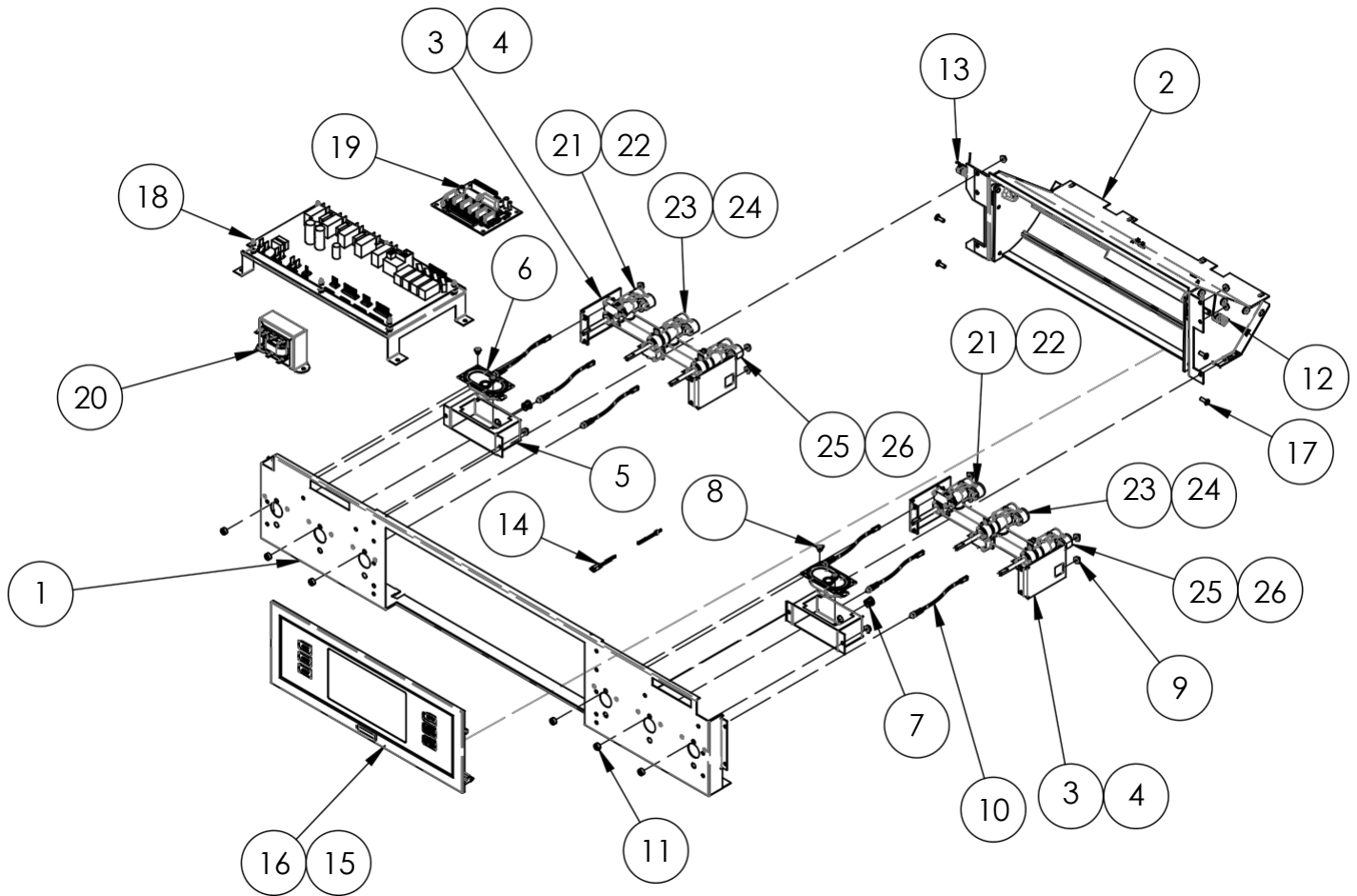
ITEM NO.	PART NUMBER	DESCRIPTION
1	107950BP	SPILL TRAY, BLACK PORCELAIN
2	702035	GRATE, 4 FINGER, 11 1/4" X 23"
3	100702	ASSY, BASE, 16K
4	701985-01	ASSY, DUAL BURNER, 18K, NG
5	701985-02	ASSY, DUAL BURNER, 18K, LP
6	701985-03	ASSY, DUAL BURNER, 18K, NGH
7	701985-04	ASSY, DUAL BURNER, 18K, LPH
8	702186	PACK, BURNER RING/BURNER
9	100703	PACK, BURNER RING/CAP/BASE, 18K BTU
10	700017	BRASS RING M22 X 1
11	700145	GASKET, DUAL BURNER, GRAPHITE

# CONTROL PANEL



ITEM NO.	PART NUMBER	DESCRIPTION
1	702049E	WELDMENT, CTRL PANEL, ETCHED
2	107762S	RING, TRIM
3	107761-01	KNOB, ILLUMINATED, SIMMER
4	107761-02	KNOB, ILLUMINATED, GRIDDLE
5	83709	SCREW, #8 X 1/2", TORX, BLK OXIDE

# SUB-PANEL SERVICE

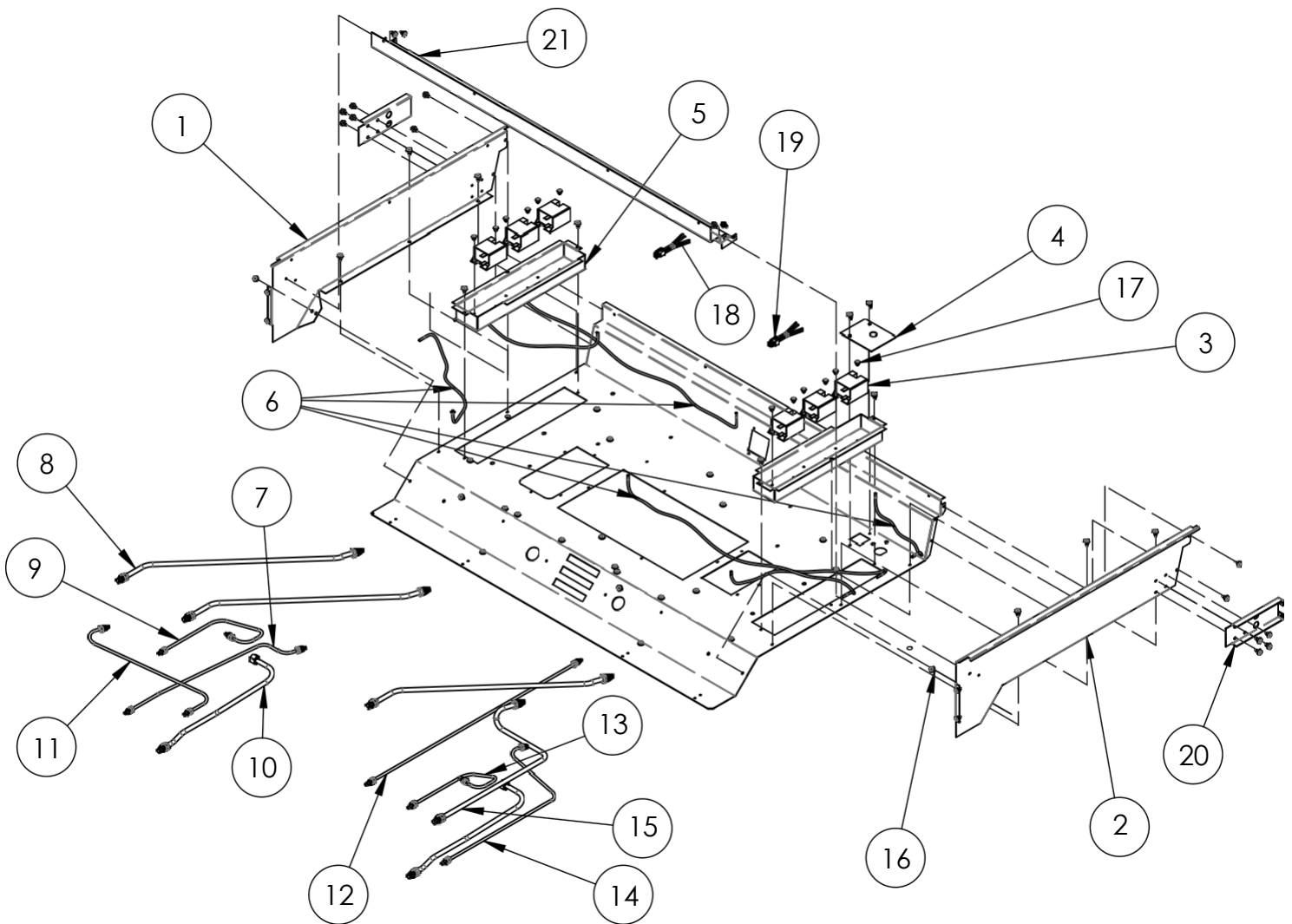


ITEM #	PART NUMBER	DESCRIPTION	NOTES
1	702043	ASSY, STUD, SUB-PANEL	
2	701956	ASSY, CTRL, FLIP-UP	
3	702045-01	ASSY, MANIFOLD, NG/NG-HA	
4	702045-02	ASSY, MANIFOLD, LP/LP-HA	
5	107879	HOUSING, SPEAKER	
6	107462	OVAL SPEAKER	
7	83523	BUSHING, 3/8" HOLE	
8	83001	SCREW, PHIL PAN HD, 8 x 1/4"	
9	83308	6-32 KEPS NUT	
10	103705	ASY, LED/SOCKET	
11	103757	RETAINING RING, LED	
12	100062	SPRING, TORSION, RIGHT	
13	100063	SPRING, TORSION, LEFT	
14	108472	HARNES, SPEAKER WIRE	
15	701994-02	ASSY, PANEL, CTRL, SINGLE	FOR REV-A
16	702651-02	ASSY, PANEL, CTRL, SINGLE	FOR REV-B
17	100439	SCREW, #8-32 X 1/2, TORX, C-SINK	
18	701988-01	ASSY, RELAY BOARD, SINGLE	
19	106104	BOARD, LED ISOLATOR	
20	62808	40VA TRANSFORMER	
21	101561-05	VALVE, 16k BTU, RH, NG	
22	101561-10	VALVE, 16k BTU, RH, LP	
23	101561-03	VALVE, 18k BTU, NG	
24	101561-08	VALVE, 18k BTU, LP	
25	101561-02	VALVE, 16k BTU, LH, NG	
26	101561-07	VALVE, 16k BTU, LH, LP	

**Serial Number Example**  
**F.A.15350123**

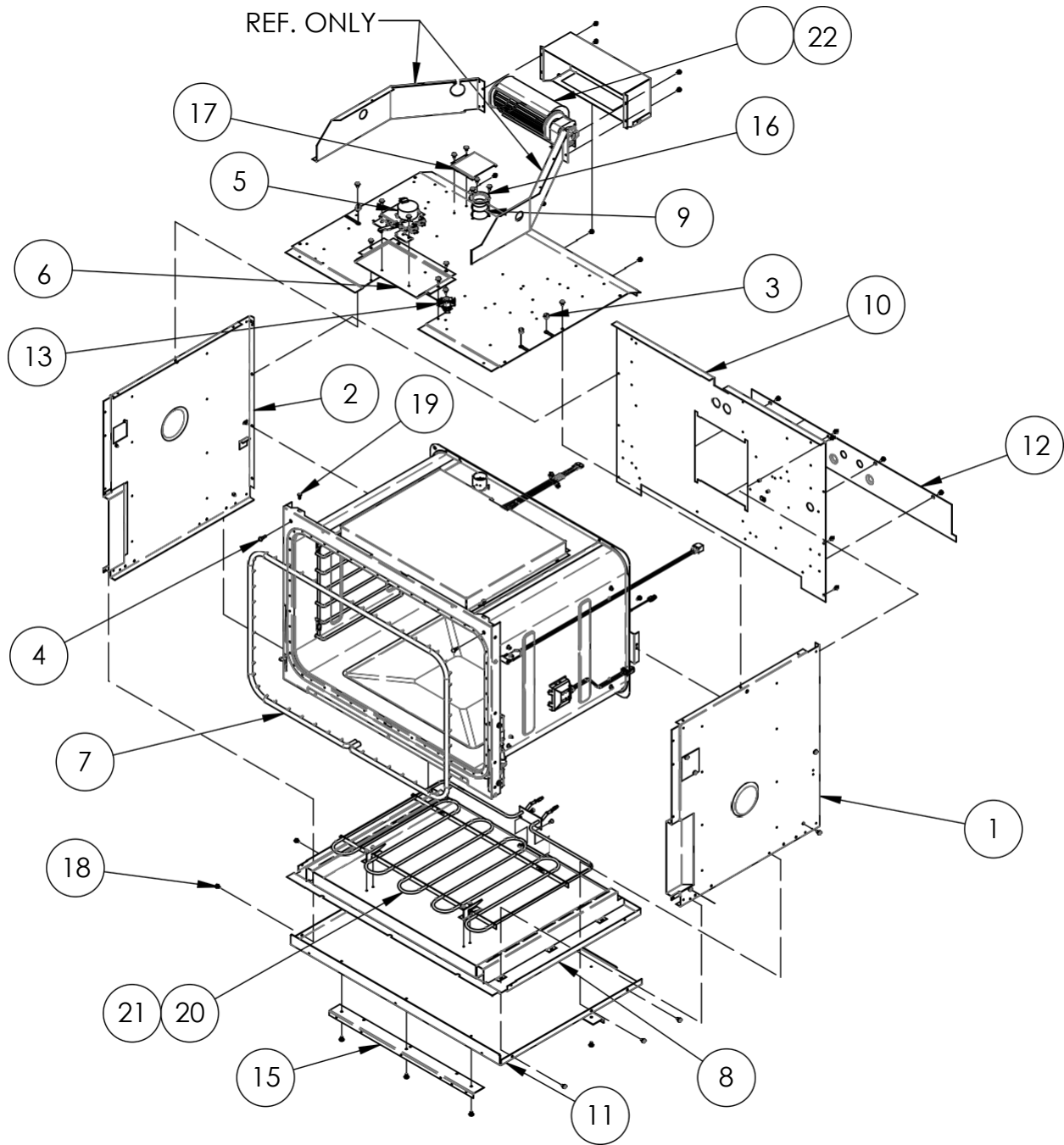
The 2nd letter on the serial number is the rev.

## COOKTOP GAS TUBING



ITEM NO.	PART NUMBER	DESCRIPTION
1	107963-01	SUPPORT, UPPER, LH
2	107963-02	SUPPORT, UPPER, RH
3	72634	RE-IGNITION MODULE
4	102159	PLATE COVER, MANIFOLD HOLE
5	107976	ENCLOSURE, IGNITER
6	108379	SET, IGNITER WIRE
7	100900	S.S. FLEXTUBING 3/16 X 16, M./M.
8	100579	S.S. FLEXTUBING 5/16 X 18, M./M.
9	100900	S.S. FLEXTUBING 3/16 X 16, M./M.
10	100578	S.S. FLEXTUBING 5/16 X 21, M./F.
11	100900	S.S. FLEXTUBING 3/16 X 16, M./M.
12	100788	FLEX TUBING 3/16", MXM 23"
13	100900	S.S. FLEXTUBING 3/16 X 16, M./M.
14	100900	S.S. FLEXTUBING 3/16 X 16, M./M.
15	100579	S.S. FLEXTUBING 5/16 X 18, M./M.
16	83023	SCREW, SLOT HWH, #10 X 3/8
17	83001	SCREW, PHIL PAN HD, 8 x 1/4"
18	108376	WIRE HARNESS, COOKTOP
19	108377	WIRE HARNESS, COOKTOP
20	108253	SUPPORT, SIDE, UPPER
21	107964	SUPPORT, SPILL TRAY

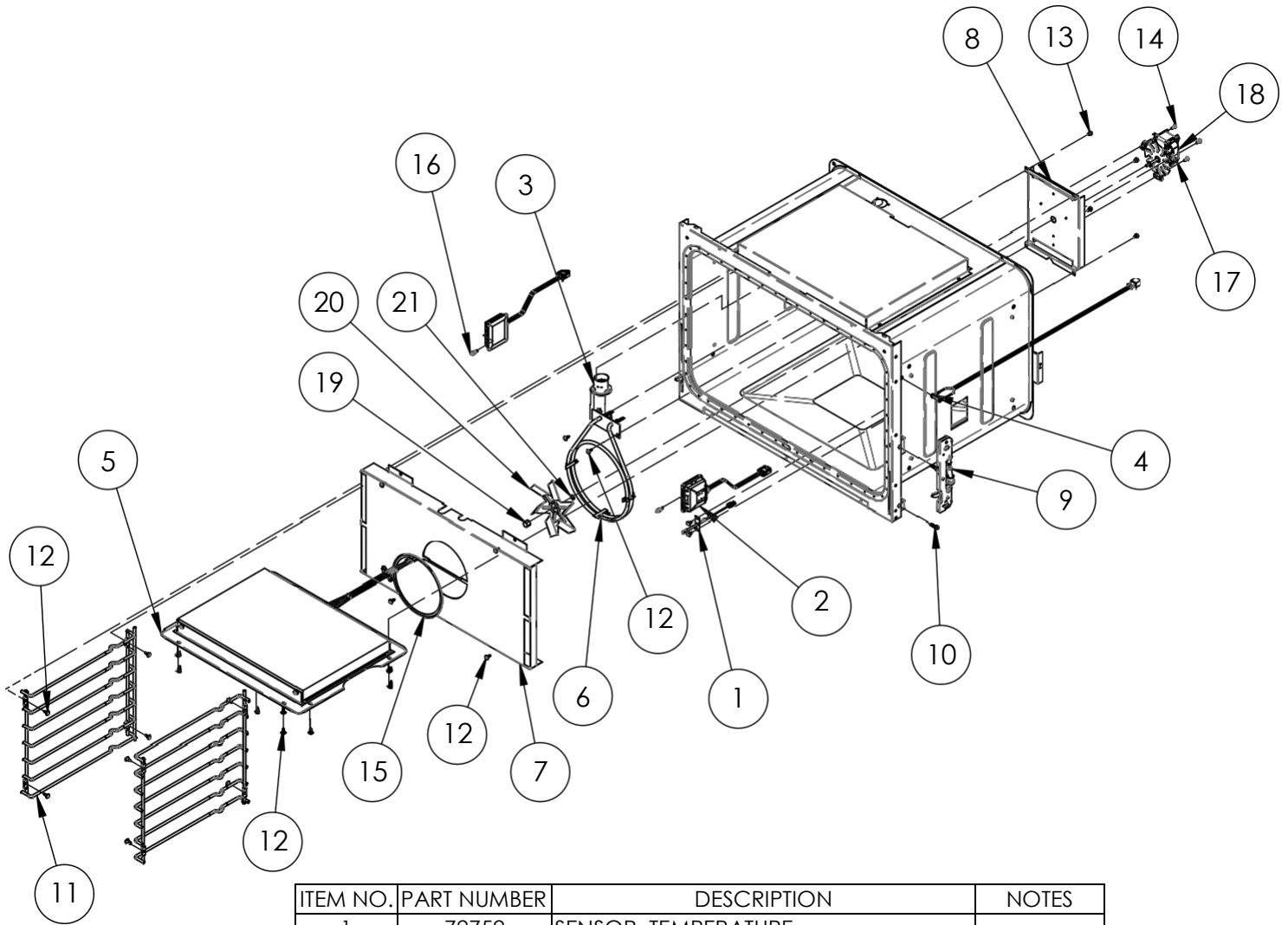
# CASE ASSY.



ITEM NO.	PART NO.	DESCRIPTION	NOTE
1	701851	WELDMENT, CASESIDE RT	
2	701852	WELDMENT, CASESIDE LF	
3	83523	BUSHING, 3/8"	
4	83618	RUBBER BUMPER	
5	701191	SERVICE KIT, DOOR LATCH	
6	105356	LATCH PLATE	
7	107743	GASKET CELL, 36"	
8	701960	ASSY, BAKE, 30.25IN	
9	107776	TOP, CASE, 30.25IN	
10	701961	WELDMENT, CASE REAR	
11	107780	BOTTOM, CASE, 30.25IN	

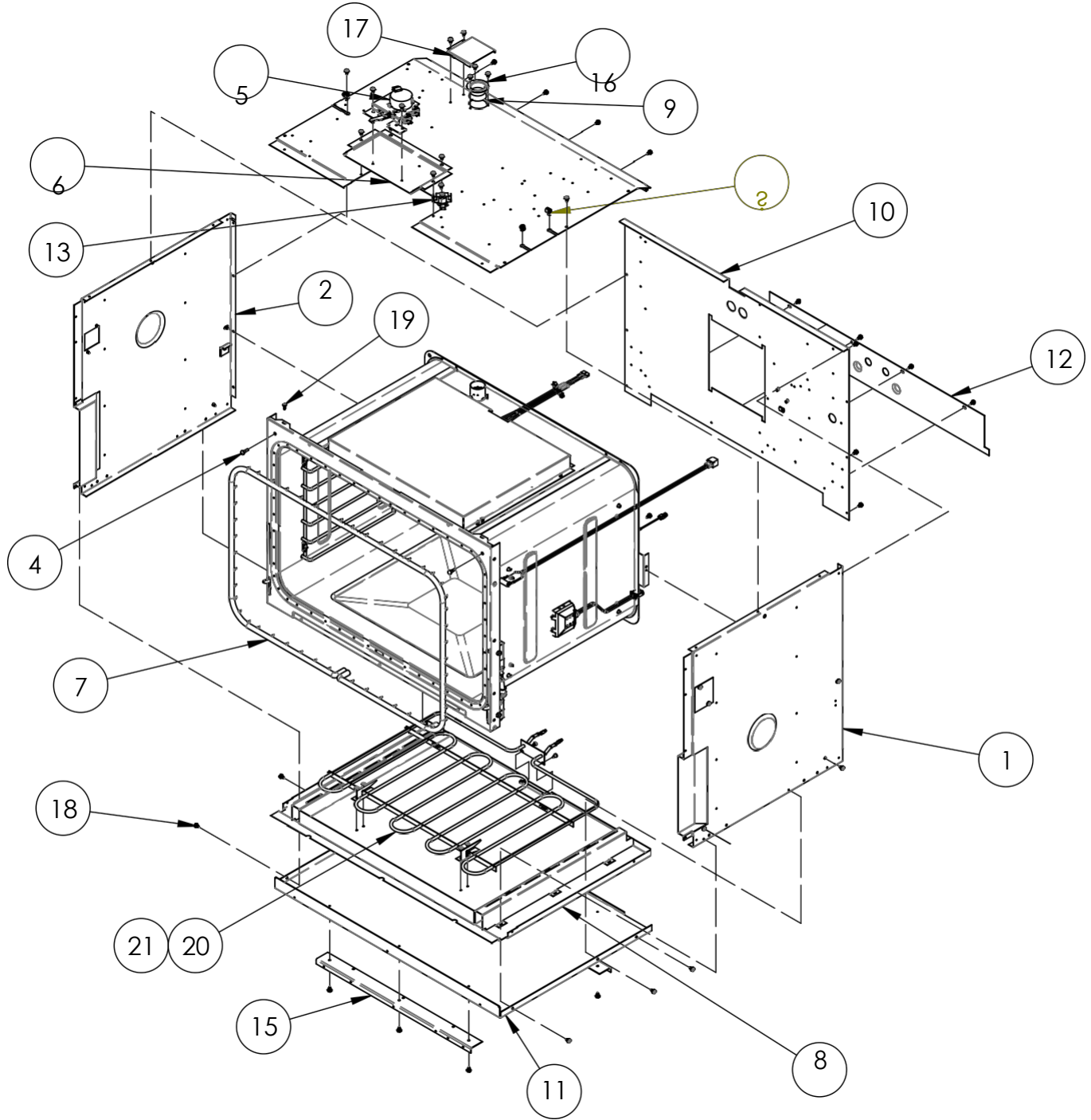
ITEM NO.	PART NO.	DESCRIPTION	NOTE
12	107777	COVER, BAKE ACCESS, 30.25IN	
13	82987	THERMAL SW, HI TEMP CUTOUT TYPE "M2"	
14	82891	FILTER, CONVECTION, OVEN	
15	108070	BRKT, CELL MOUNTING, 30.25IN	
16	105485	SMOKE ELIMINATOR TOP	
17	107778	DUCT, SMOKE	
18	83023	SCREW, SLOT HWH, #10 X 3/8	
19	83709	SCREW, #8 X 1/2", TORX, BLK OXIDE	
20	106898	BAKE ELEMENT, 10-PASS, 3000W, 240V	
21	83505	SCREW, #8x3/8, TYPE A	
22	701996	ASSY, FAN, COOLING	

# CELL ASSY.



ITEM NO.	PART NUMBER	DESCRIPTION	NOTES
1	72752	SENSOR, TEMPERATURE	
2	92398	ASSY, LIGHT, HALOGEN, 20W	
3	72755	ELIMINATOR, SMOKE	
4	72717	MEAT PROBE SOCKET	
5	701529	ASSY, BROIL	
6	72719	ELEMENT, CONVECTION	
7	105329	CONVECTION BAFFLE	
8	36280	PLATE, MTG, CONV. MOTOR	
9	107511	DAMPER, RECEPTACLE, HINGE	
10	108240	#10-32 X .75, HEX HD, MACHINE SCREW	
11	106991	SUPPORT RACK	
12	83708	SCREW, TRX WFR HD, #8 X 1/2"	
13	83023	SCREW, SLOT HWH, #10 X 3/8	
14	83379	SCREW, #8-1/2 THREAD TYPE A	
15	82891	FILTER, CONVECTION, OVEN	
16	108774	BLUB, HALOGEN, 50W, 130V	
17	700633	KIT, CONVECTION FAN	
18	102145	CONVECTION MOTOR	P/O 700633
19	102137	HEX NUT, CONVECTION FAN	P/O 700633
20	101511	CONVECTION FAN BLADE	P/O 700633
21	102136	WASHER, CONVECTION FAN	P/O 700633

# CASE ASSY.

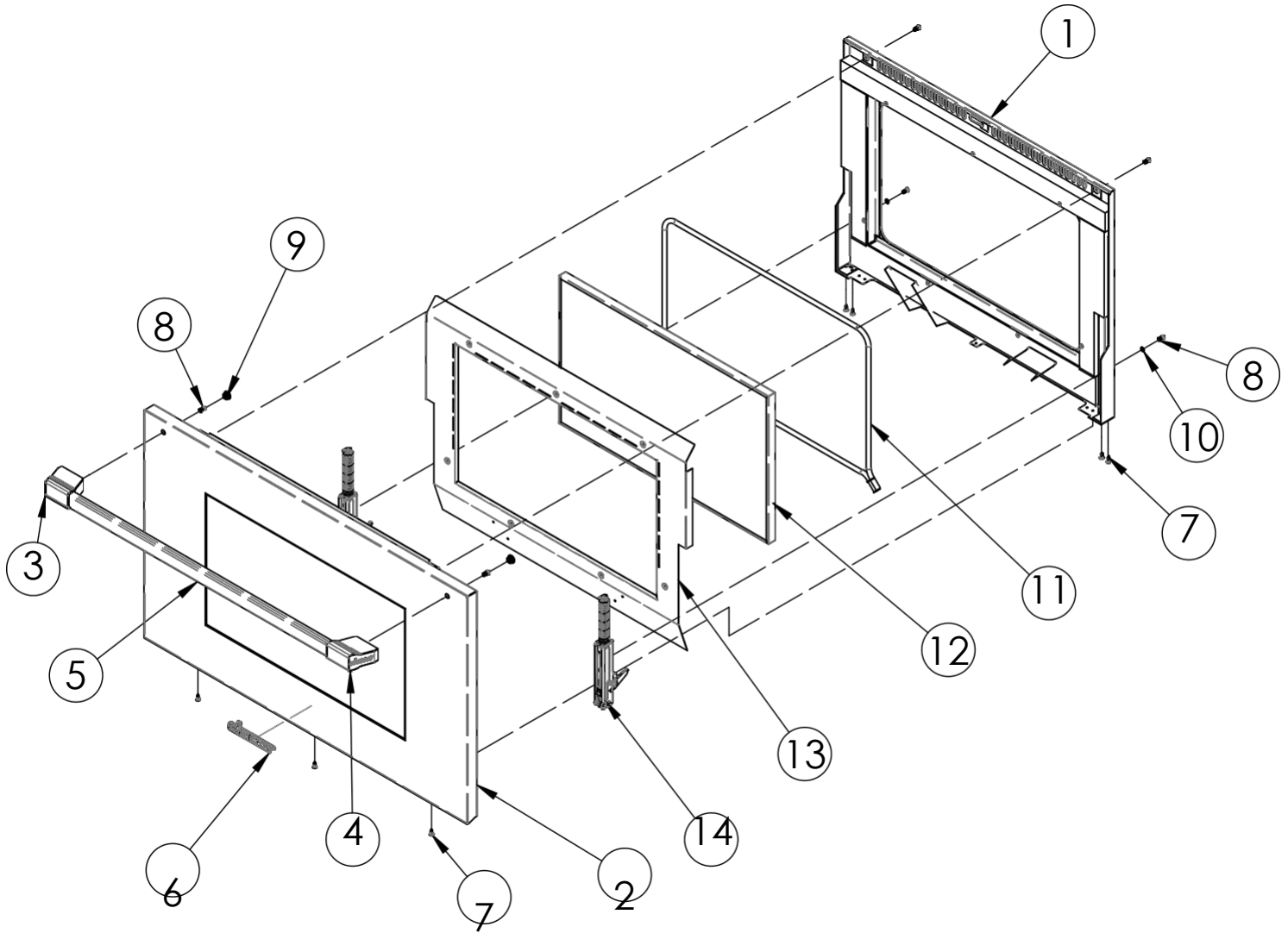


ITEM NO.	PART NUMBER	DESCRIPTION
1	701851	WELDMENT, CASESIDE RT
2	701852	WELDMENT, CASESIDE LF
3	83523	BUSHING, 3/8" HOLE
4	83618	RUBBER BUMPER
5	701191	SERVICE KIT, DOOR LATCH
6	105356	LATCH PLATE
7	107743	GASKET CELL, 36"
8	701960	ASSY, BAKE, 30.25IN
9	107776	TOP, CASE, 30.25IN
10	701961	WELDMENT, CASE REAR
11	107780	BOTTOM, CASE, 30.25IN

ITEM NO.	PART NUMBER	DESCRIPTION
12	107777	COVER, BAKE ACCESS, 30.25IN
13	82987	THERMAL SW, HI TEMP CUTOUT TYPE "M2"
14	82891	FILTER, CONVECTION, OVEN
15	108070	BRKT, CELL MOUNTING, 30.25IN
16	105485	SMOKE ELIMINATOR TOP
17	107778	DUCT, SMOKE
18	83023	SCREW, SLOT HWH, #10 X 3/8
19	83709	SCREW, #8 X 1/2", TORX, BLK OXIDE
20	106898	BAKE ELEMENT, 10-PASS, 3000W, 240V
21	83505	SCREW, #8x3/8, TYPE A

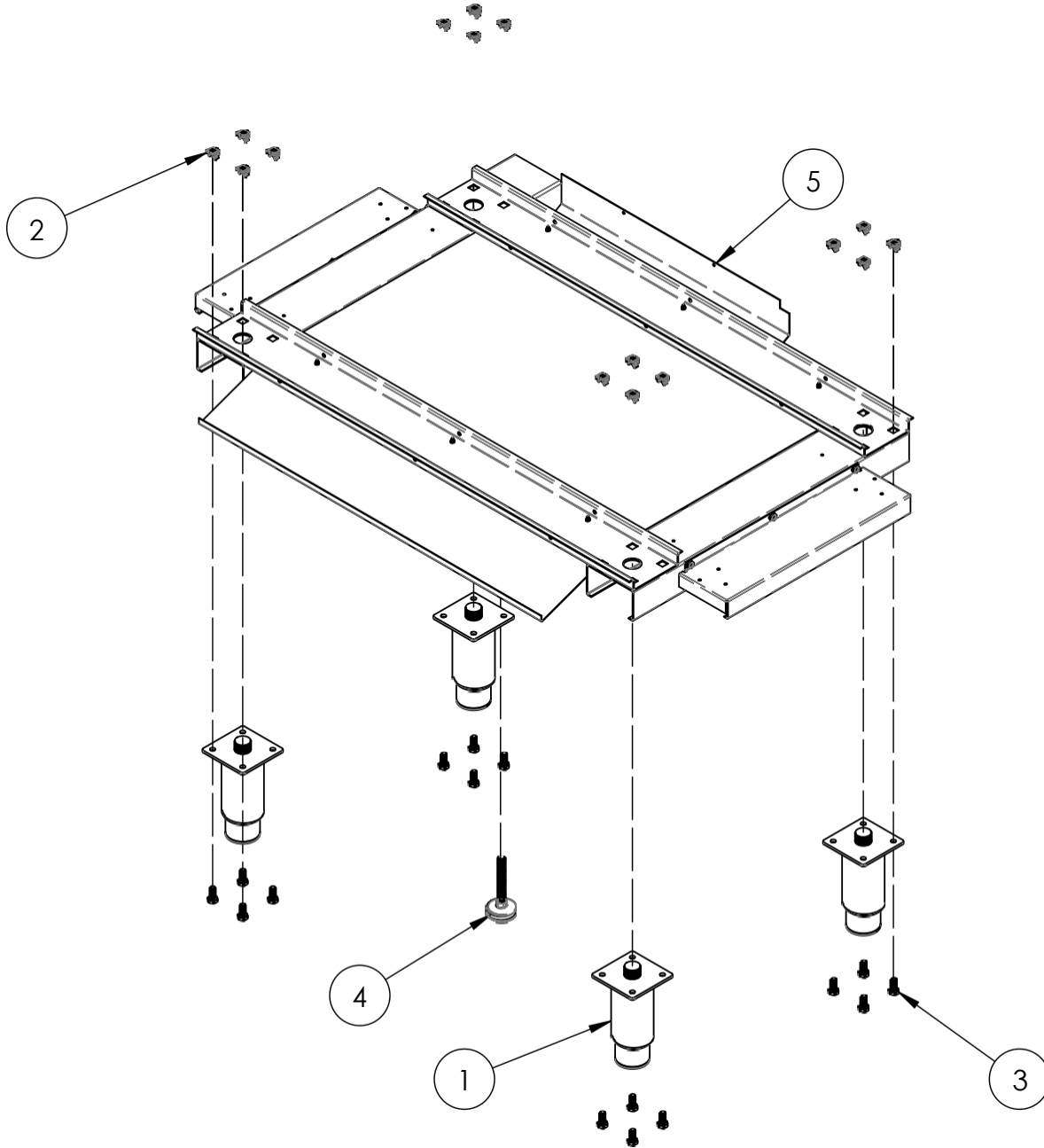


# DOOR ASSY.



ITEM NO.	PART NUMBER	DESCRIPTION
1	702301-02	ASSY. DOOR LINER
2	702039	ASSY, DOOR SKIN, 36IN
3	107815-01S	HANDLE, END CAP, LH, LOGO
4	107815-03S	HANDLE, END CAP, RH, LOGO
5	107781-05	36" DOOR HANDLE
6	110169	DACOR LOGO 4.75"
7	83709	SCREW, #8 X 1/2", TORX, BLK OXIDE
8	83420	SCREW, BTN SHCS
9	100376	PLUG, SKIN, DOOR, 36"
10	83423	WASHER, BLACK FLAT
11	100015	GASKET, WINDOW PACK, 36"
12	72968	WINDOW PACK
13	107366B	SHIELD, HEAT, WINDOW, BLK
14	108805	HINGE, SPRING

# BASE ASSY.



ITEM NO.	PART NUMBER	DESCRIPTION
1	700000	LEG, NEW .500" ***** <b>PLASTIC INSERT, LEG 66813</b> *****
2	83398	NUT, RETAINER, 1/4-20 TINNEMAN
3	83397	SCREW, CAP, 1/4-20 X 5/8
4	106440	LEVELER, ADJUSTABLE
5	702041	ASSY, BASE