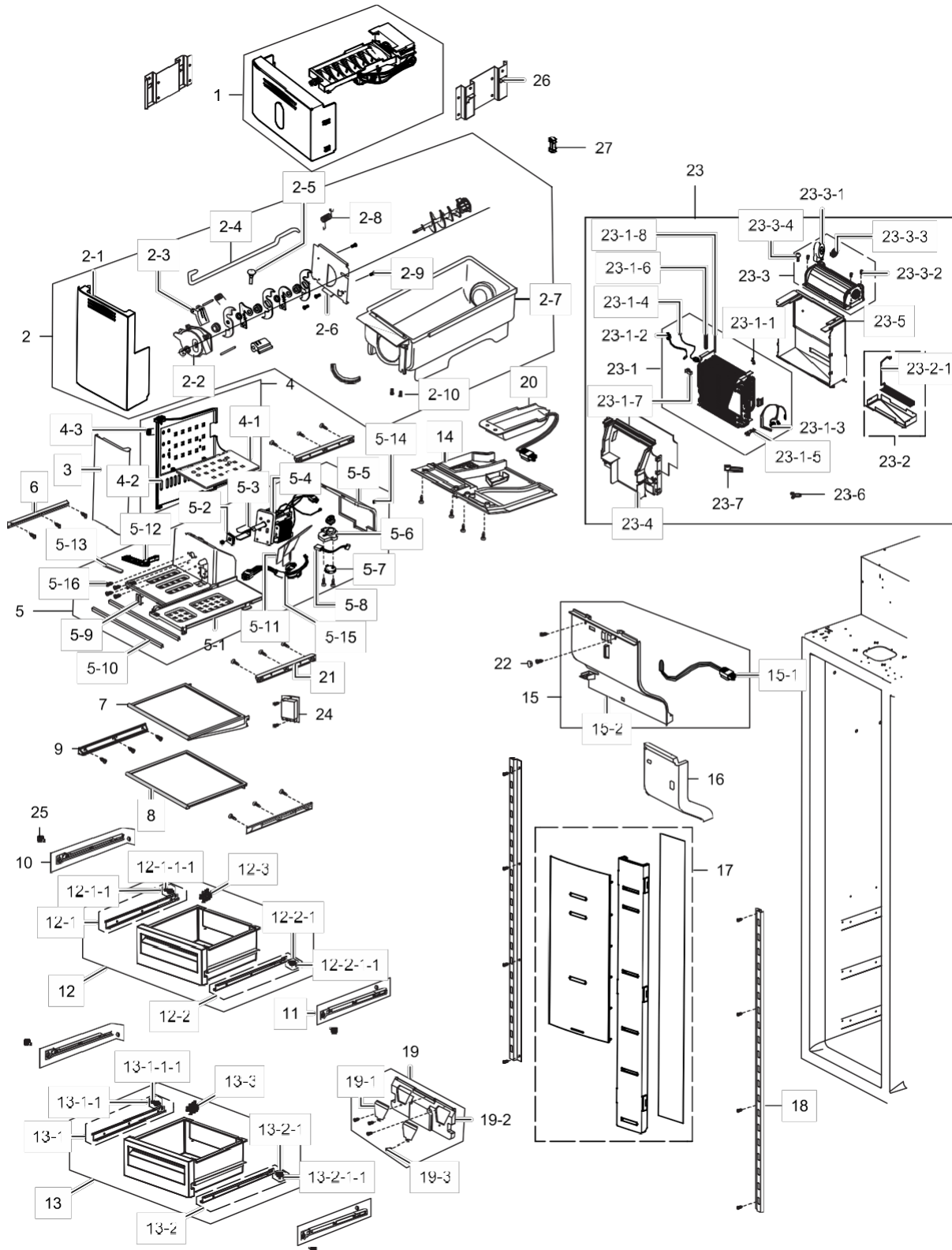


1. Freeze

Exploded View



Freezer Parts List

No.	Dacor Part #	Description	SNA
1	111471	ASSY ICE MAKER; QUEEN-UPGRADE(Dakor),120V	SA
2	111339	ASSY TRAY ICE; BRS7000M,DACOR	SA
2-1	111340	ASSY COVER ICE BUCKET; BRS7000M,DACOR	SA
2-2		COVER-CRUSHER DISP; -,PC-ABS,-,-,-,-,-,	SNA
2-3		GUIDE-ICE DISPENSER; HERMES,HIPS,W45.2,NT	SNA
2-4	111101	LEVER-CUBE; QUEEN-PJT,STS304,OD4.5,L318.6	SA
2-5	111073	GROMMET-COVER CHIL; SI,L16,WHITE	SA
2-6	110761	PLATE-ICE BUCKET; QUEEN,STS304,T1.0,-,-,-	SA
2-7	110989	TRAY-ICE BUCKET; QUEEN,ABS,-,-,-,-,-,BRAN	SA
2-8	110914	SPRING ETC-ICE MAKER; SR-S7180,STS304,PI5	SA
2-9	110655	SCREW-TAPPING; TH,+,-,NO,1,M4,L14,PASS,STS3	SA
2-10	110654	SCREW-TAPPING; TH,+,-,1,M4,L12,PASS,STS30	SA
3	110964	COVER COOL; BRS7000M,ABS,DA SILVER,SPRAY(SA
4	111308	ASSY PARTITION-COOL; QUEEN42,-,-,-,-,-,-,	SA
4-1	111126	SHELF-COOL; QUEEN42,ABS,COOL WHITE	SA
4-2	111124	PARTITION-COOL; QUEEN,ABS,-,-,-,-,-,-	SA
4-3	110777	SPRING ETC-COVER COOL; QUEEN,STS304,CD5.7	SA
5	111416	ASSY CASE AUGER MOTOR; 120V, 60Hz, 42inch	SA
5-1	110772	CASE-MOTOR AUGER; QUEEN42,ABS,COOL WHITE,	SA
5-2	111157	FIXER-NUT; ZIPEL,STS420,T1,-,CLIP,STS420-	SA
5-3	111156	PLATE-D/AUGER DISP; STS304,T3.0,-	SA
5-4	110689	MOTOR GEARED AC AUGER; ISG3240SSI-1,110/1	SA
5-5	110957	COVER-MOTOR AUGER; QUEEN,N-ABS,-,-,-,-,-,-,	SA
5-6	110179	COVER-MOTOR GEARED; GUGGENHEIM,HIPS,NTR	SNA
5-7	110180	MOTOR GEARED AC DISP; MVCC18AR19/MCCC182A	SNA
5-8	111279	SWITCH REED; UL1007 AWG 22,230,35151-0210	SA
5-9	110776	PLATE-CAM LEVER CUBE; QUEEN,SI,WHT	SA

Freezer Parts List

No.	Dacor Part #	Description	SNA
5-10		REINF-CASE AUGER; QUEEN42,STS304,T1.5,,,,	SNA
5-11		ASSY-PARTITION EMI; QUEEN,-,-,-	SNA
5-12	111032	COVER LAMP-FRE; QUEEN UPGRADE,PP,HB,NATUR	SA
5-13	110727	ASSY LAMP LED; 5ea,CEM-1,100*20,WHITE,SMA	SA
5-14	110713	MAGNET; SSM-390,T2,W5,L7,-,	SA
5-15	111240	ASSY WIRE HARNESS-AUGER; ALL,FREE VOLT,UL	SA
5-16	110654	SCREW-TAPPING; TH,+,-,1,M4,L12,PASS,STS30	SA
6	110759	SUPPORT-CASE AUGER L; QUEEN,ABS	SA
7	111300	ASSY SHELF-FRE UP; TBI DACOR	SA
8	111301	ASSY SHELF-FRE LOW; TBI DACOR	SA
9	110762	SUPPORT-RAIL VEG; QUEEN,ABS,HF-0660I,COOL	SA
10	111288	ASSY RAIL-LEFT B; QUEEN,,,,	SA
11	111290	ASSY RAIL-RIGHT B; QUEEN,,,,	SA
12	111522	ASSY CASE BASKET-FRE UP; TBI DACOR	SA
12-1	111287	ASSY RAIL-LEFT A; QUEEN,,,,	SA
12-1-1	111342	ASSY-ROLLER B; AW2-PJT,-,-,-	SA
12-1-1	110800	GUIDE-WASHER; AW2-PJT,STS304,0.5	SA
12-2	111289	ASSY RAIL-RIGHT A; SCP1	SA
12-2-1	111342	ASSY-ROLLER B; AW2-PJT,-,-,-	SA
12-2-1	110800	GUIDE-WASHER; AW2-PJT,STS304,0.5	SA
12-3	110654	SCREW-TAPPING; TH,+,-,1,M4,L12,PASS,STS30	SA
13	111528	ASSY CASE BASKET-FRE LOW; TBI DACOR	SA
13-1	111287	ASSY RAIL-LEFT A; QUEEN,,,,	SA
13-1-1	111342	ASSY-ROLLER B; AW2-PJT,-,-,-	SA
13-1-1	110800	GUIDE-WASHER; AW2-PJT,STS304,0.5	SA
13-2	111289	ASSY RAIL-RIGHT A; SCP1	SA
13-2-1	111342	ASSY-ROLLER B; AW2-PJT,-,-,-	SA
13-2-1	110800	GUIDE-WASHER; AW2-PJT,STS304,0.5	SA
13-3	110654	SCREW-TAPPING; TH,+,-,1,M4,L12,PASS,STS30	SA
14	111310	ASSY-COVER AIR DUCT,FRE; QUEEN42,QUEEN07,	SA
15	111309	ASSY-COVER EVAP FRE; QUEEN,42",-,-	SA
15-1	110712	SENSOR TEMP; PX-41C,502AT,DKST1329GW,QUEE	SA
15-2	111326	ASSY-COVER EVAP FRE,B; QUEEN42,-,-,-	SA

Freezer Parts List

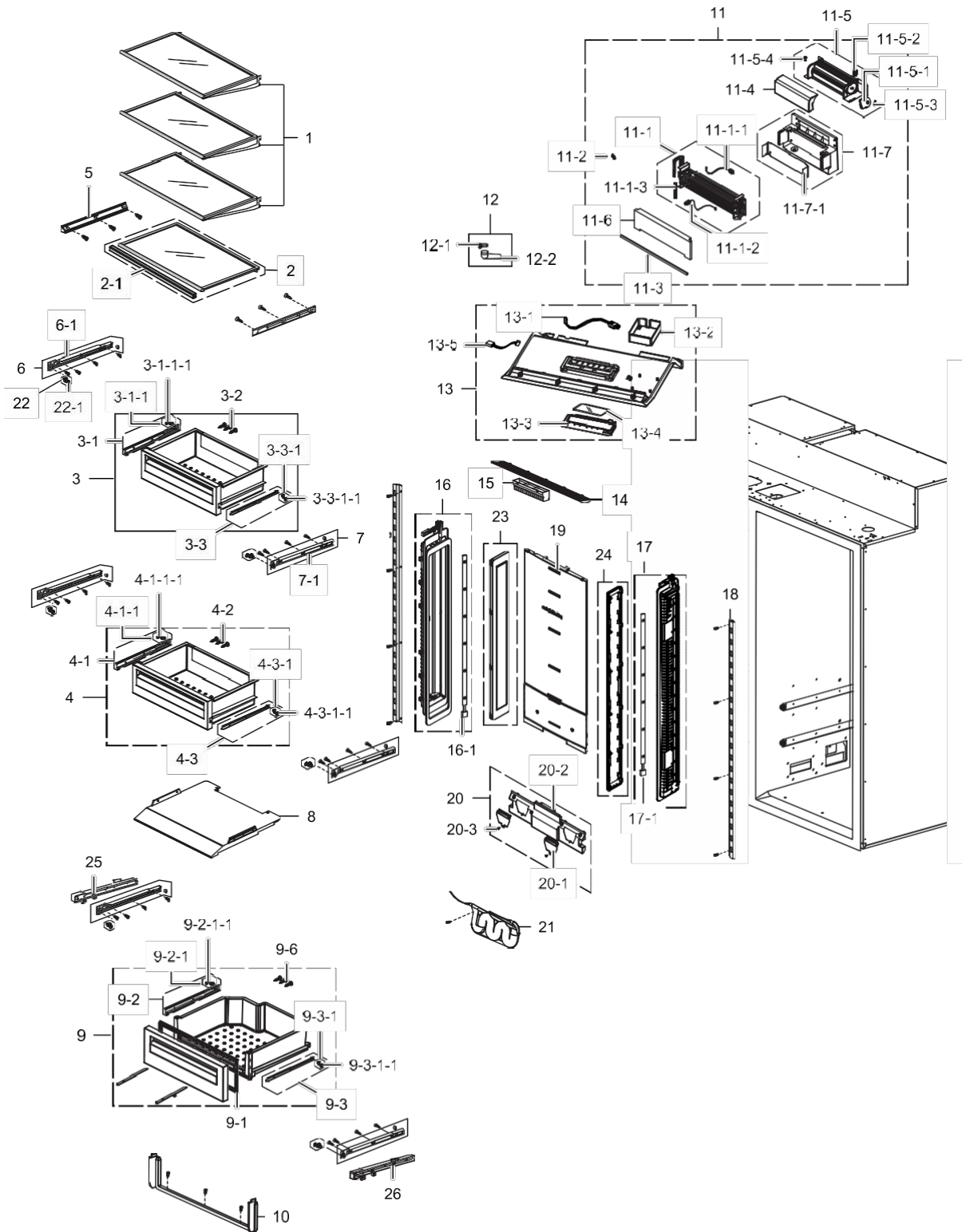
No.	Dacor Part #	Description	SNA
16	111315	ASSY COVER DUCT-FRE UP; BRS7000M	SA
17	111517	ASSY COVER MULTI-FRE; BRS7000M	SA
18	110779	ANGLE SHELF; CR-SPCC,T2.5,INOX GRAY,TBID	SA
19	111312	ASSY-COVER LAMP SUB FRE; QUEEN09 42"	SA
19-1	110972	COVER-LAMP SUB,A; QUEEN,SCP1,T0.6,-,-,-	SA
19-2	111325	ASSY-COVER LAMP SUB FRE B; QUEEN,42",-,-	SA
19-3	110663	SCREW-TAPPING; BH,+,-,-,M4,L8,DACRO,SWRCH	SA
20	111307	ASSY-DRAIN SUCTION FRE; QUEEN,GE OEM,-,-	SA
21	110760	SUPPORT-CASE AUGER R; QUEEN,ABS	SA
22	111155	CAP SCREW; A-TOP,PP,T1.5,HB,BJ750,COOL WH	SA
23		ASSY-KIT EVAP FRE;QUEEN,-,-,-	SNA
23-1	111298	ASSY-EVAP FRE; QUEEN,GE OEM,-,-	SA
23-1-1	110656	SCREW-TAPPING; TH,+,-,-,2,M4,L12,ZPC(WHT),S	SA
23-1-2	110698	SENSOR TEMP;PX-41C,QUEEN PJT,-10°C ~ 35°C	SC
23-1-3	110730	HEATER METAL SHEATH; AC115V,QUEEN US, 44o	SA
23-1-4	110732	THERMO BIMETAL-PROTECTOR; 125/250V,6A/3A,	SA
23-1-5	110765	FIXER-EVAP HEATER; QUEEN,AL,-,-,-	SA
23-1-6	110766	SPRING ETC-EVAP FRE; QUEEN,STS304,-,-,-,-	SA
23-1-7	110810	FIXER-HEATER SHEATH; QUEEN,Al	SA
23-1-8	110766	SPRING ETC-EVAP FRE; QUEEN,STS304,-,-,-,-	SA
23-2	111299	ASSY-PLATE DRAIN FRE; QUEEN,120V	SA
23-2-1	110731	HEATER DRAIN; AC120V,QUEEN, 411ohm,35W,PV	SA
23-3	111306	ASSY-FAN MOTOR FRE; QUEEN,-,-,-	SA
23-3-1	110684	MOTOR BLDC; DREP3030LB / DREP3030LC,1160	SA
23-3-2	110650	SCREW-TAPPING; TH,+,-,-,2S,M4.0,L8,ZPC(WHT)	SA
23-3-3	110953	GROMMET-MOTOR,REAR; A-TOP,NBR,BLACK,BLDC	SA
23-3-4	111073	GROMMET-COVER CHIL; SIL16,WHITE	SA
23-4	111317	ASSY-CASE EVAP FRE FRONT; QUEEN,-,-,-	SA
23-5	111320	ASSY-CASE EVA FZ REAR SUB; QUEEN,SUB,-,-	SA
23-6	111099	CLAMPER HOSE-CONNECT DRAIN; QUEEN,STS304,	SA

Freezer Parts List

No.	Dacor Part #	Description	SNA
23-7	111150	DRAIN-CONNECT;QUEEN UPGRADE,Si	SA
24	111337	ASSY-COVER HOUSING,REAR; QUEEN,-,-,-	SA
25	111343	ASSY-ROLLER A; AW2-PJT	SA
26	110781	SUPPORT-ICE MAKER; QUEEN,STS304,T1.0,-,-,	SA
27	110886	FIXER PIPE; BRR9000M,EPDM,BLACK	SA

2. Fridge

Exploded View



Fridge Parts List

No.	Dacor Part #	Description	SNA
1	111302	ASSY SHELF-REF UP; TBI DACOR	SA
2	111303	ASSY SHELF-REF LOW; TBI DACOR	SA
2-1	111083	TRIM SHELF-REF LOW; QUEEN09 42",AL,516.7,	SA
3	111529	ASSY CASE VEG-UP; TBI DACOR	SA
3-1	111287	ASSY RAIL-LEFT A; QUEEN,,,,,	SA
3-1-1	111342	ASSY-ROLLER B; AW2-PJT,-,-,-	SA
3-1-1-1	110800	GUIDE-WASHER; AW2-PJT,STS304,0.5	SA
3-2	110654	SCREW-TAPPING; TH,+,-,1,M4,L12,PASS,STS30	SA
3-3	111289	ASSY RAIL-RIGHT A; SCP1	SA
3-3-1	111342	ASSY-ROLLER B; AW2-PJT,-,-,-	SA
3-3-1-1	110800	GUIDE-WASHER; AW2-PJT,STS304,0.5	SA
4	111531	ASSY CASE VEG-LOW; TBI DACOR	SA
4-1	111287	ASSY RAIL-LEFT A; QUEEN,,,,,	SA
4-1-1	111342	ASSY-ROLLER B; AW2-PJT,-,-,-	SA
4-1-1-1	110800	GUIDE-WASHER; AW2-PJT,STS304,0.5	SA
4-2	110654	SCREW-TAPPING; TH,+,-,1,M4,L12,PASS,STS30	SA
4-3	111289	ASSY RAIL-RIGHT A; SCP1	SA
4-3-1	111342	ASSY-ROLLER B; AW2-PJT,-,-,-	SA
4-3-1-1	110800	GUIDE-WASHER; AW2-PJT,STS304,0.5	SA
5	110762	SUPPORT-RAIL VEG; QUEEN,ABS,HF-0660I,COOL	SA
6	111288	ASSY RAIL-LEFT B; QUEEN,,,,,	SA
6-1		RAIL-LEFT,B; QUEEN,CR-SPCC,T1.4	SNA
7	111290	ASSY RAIL-RIGHT B; QUEEN,,,,,	SA
7-1		RAIL-LEFT,B; QUEEN,CR-SPCC,T1.4	SNA
8	110885	CASE CONVERTIBLE-UP; TBI DACOR,ABS,DA SIL	SA
9	111530	ASSY TRAY CONVERTIBLE; TBI DACOR	SA
9-1	110970	GASKET-CONVERTIBLE; QUEEN09,42,PVC,GRAY	SA
9-2	111287	ASSY RAIL-LEFT A; QUEEN,,,,,	SA
9-2-1	111342	ASSY-ROLLER B; AW2-PJT,-,-,-	SA
9-2-1-1	110800	GUIDE-WASHER; AW2-PJT,STS304,0.5	SA
9-3	111289	ASSY RAIL-RIGHT A; SCP1	SA
9-3-1	111342	ASSY-ROLLER B; AW2-PJT,-,-,-	SA
9-3-1-1	110800	GUIDE-WASHER; AW2-PJT,STS304,0.5	SA
9-6	110662	SCREW-TAPPING; TH,+,-,1,M4,L16,PASS,STS43	SA

Fridge Parts List

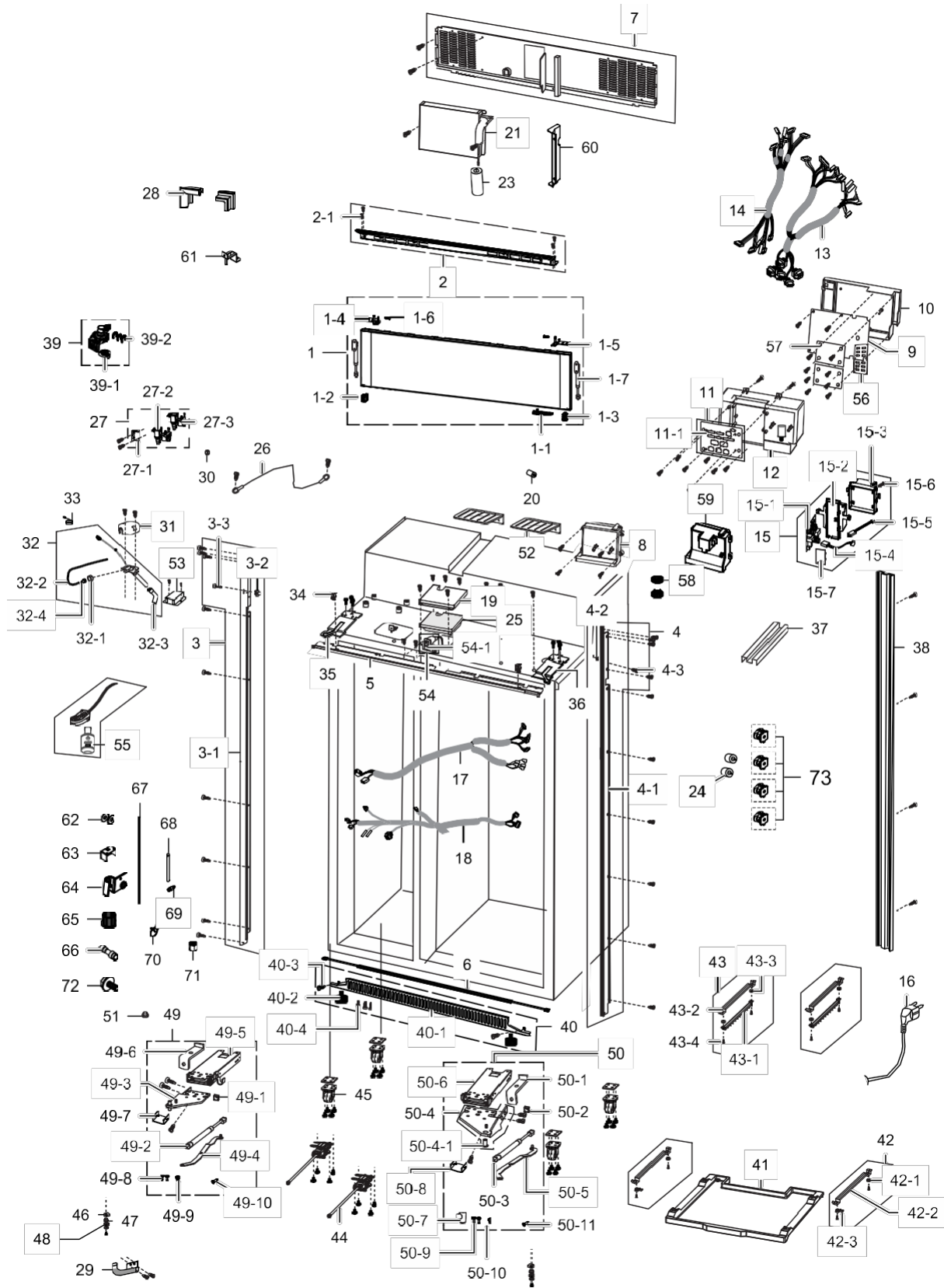
No.	Dacor Part #	Description	SNA
10	110884	CASE CONVERTIBLE-FRONT; TBI DACOR,ABS,DA	SA
11	111296	ASSY-KIT EVAP REF; GE OEM,-,-,-	SA
11-1	111297	ASSY-EVAP REF; QUEEN,GE OEM,-,-	SA
11-1-1	110697	SENSOR TEMP; DKST1310FW,RF9900,TBI,-40RK688	SA
11-1-2	110733	THERMO BIMETAL-PROTECTOR; 125/250V,6A/3A,	SA
11-1-3	110767	SPRING ETC-EVAP REF; QUEEN,STS304,-,-,-,-	SA
11-2	110656	SCREW-TAPPING; TH,+,-,2,M4,L12,ZPC(WHT),S	SA
11-3	110788	SUPPORT-DUCT; QUEEN,ABS,T2.0,HG-0760GP,CO	SA
11-4	110922	INSULATION-EVAP REF MOTOR; QUEEN,PS FOAM	SA
11-5	111305	ASSY-FAN MOTOR REF; QUEEN,-,-,-	SA
11-5-1	110684	MOTOR BLDC; DREP3030LB / DREP3030LC,1160	SA
11-5-2	110953	GROMMET-MOTOR,REAR; A-TOP,NBR,BLACK,BLDC	SA
11-5-3	110650	SCREW-TAPPING; TH,+,-,2S,M4.0,L8,ZPC(WHT)	SA
11-5-4	111073	GROMMET-COVER CHIL; SIL16,WHITE	SA
11-6	111319	ASSY-PLATE EVAP REF FRONT; QUEEN,SUB,-,-	SA
11-7	111318	ASSY-CASE EVAP REF; GE OEM,-,-,-	SA
11-7-1	110764	PLATE-EVAP REF,REAR; QUEEN,AL,-,-,-,-,REA	SA
12	111313	ASSY-DRAIN SUCTION REF; QUEEN,42,-,-	SA
12-1	111099	CLAMPER HOSE-CONNECT DRAIN; QUEEN,STS304,	SA
12-2	111125	DRAIN-CONNECT; QUEEN,SILICON,,NTR,	SA
13	111516	ASSY COVER AIR DUCT-REF; BRS7000M	SA
13-1	110699	SENSOR TEMP; PX-41C,QUEEN GE,-,-,-,-,YE	SA
13-2	110981	COVER-HOUSING REF; QUEEN,AUS,SBHG1,T0.6,-	SA
13-3	111377	ASSY COVER LAMP; RF8000K	SA
13-4	111244	ASSY LAMP LED; 6,FR-4,150*12,WHITE,SMAW25	SA
13-5	111224	ASSY WIRE HARNESS-LED; ALL,12VDC,ALL,UL,A	SA
14	110963	COVER-GRILL REF; QUEEN,ABS,T2.0,COOL WHIT	SA
15	111316	ASSY-COVER DUCT REF,UPP; QUEEN,-,-,-	SA
16		ASSY CASE LED-SIDE; Queen_Upgrade,400mm,2	SNA

Fridge Parts List

No.	Dacor Part #	Description	SNA
16-1	111241	ASSY LAMP LED; 18,FR-4,400*10,WHITE,SMAW2	SA
17	110186	ASSY CASE LED-SIDE; Queen_Upgrade,300mm,1	SNA
17-1	111242	ASSY LAMP LED; 14,FR-4,300*10,WHITE,SMAW2	SA
18	110779	ANGLE SHELF; CR-SPCC,T2.5,INOX GRAY,TBID	SA
19	111518	ASSY COVER MULTI-REF; BRS7000M	SA
20	111311	ASSY-COVER LAMP SUB REF; QUEEN09 42"	SA
20-1	110972	COVER-LAMP SUB,A; QUEEN,SCP1,T0.6,-,-,-	SA
20-2	111324	ASSY-COVER LAMP SUB REF B; QUEEN,42",-,-	SA
20-3	110649	SCREW-TAPPING; TH,+,NO,1,M4,L8,ZPC(WHT),S	SA
21	111352	ASSY TANK WATER; QUEEN,NTR	SA
22	111343	ASSY-ROLLER A; AW2-PJT	SA
22-1	110800	GUIDE-WASHER; AW2-PJT,STS304,0.5	SA
23	111378	ASSY COVER LAMP-REF; RF9900	SA
24	111519	ASSY COVER LAMP-REF; Queen_Upgrade	SA
25	110763	SUPPORT-RAIL CONVERTIBLE,L; QUEEN,ABS,-,-	SA
26	110813	SUPPORT-RAIL CONVERTIBLE R; QUEEN,ABS,COO	SA

3. Cabinet

Exploded View



Cabinet Parts List

No.	Dacor Part #	Description	SNA
1	111470	ASSY GRILLE; QUEEN UPGRADE,DACOR	SA
1-1	111094	MASCOT; QUEEN UPGRADE,Ni,Black Caviar	SA
1-2	111148	CAP GRILLE-LOW LEFT; QUEEN UPGRADE,ABS,T2	SA
1-3	111147	CAP GRILLE-LOW RIGHT; BRS7000M,ABS,T2.0,I	SA
1-4	111103	LINK-GRILLE L; QUEEN,STS304,GE-OEM	SA
1-5	111102	LINK-GRILLE R; QUEEN,STS304,GE-OEM	SA
1-6	111104	SHAFT-GRILLE; QUEEN,STS304,BRS7000M	SA
1-7	110775	SPRING ETC-GAS; BRS7000M,STS304,DAMPER	SA
2	111328	ASSY-CHASSIS CABI UPP; QUEEN,GE42,-,-	SA
2-1	110642	SCREW-MACHINE; BH,+,M4,L6,ZPC(WHT),SWRCH1	SA
3	111498	ASSY CHASSIS CABI-LEFT; QUEEN UPGRADE	SA
3-1	111082	CHASSIS-CABI L; BRS7000M,AI,T2.0,-,-	SA
3-2	110956	GROMMET-GRILLE; QUEEN,POM,T2.0,-,-,ID2.8,	SA
3-3	110652	SCREW-TAPPING; FH,+, -,2,M4.0,L14,PASS,STS	SA
4	111499	ASSY CHASSIS CABI-RIGHT; QUEEN UPGRADE	SA
4-1	111081	CHASSIS-CABI R; BRS7000M,AI,T2.0,-,-	SA
4-2	110956	GROMMET-GRILLE; QUEEN,POM,T2.0,-,-,ID2.8,	SA
4-3	110652	SCREW-TAPPING; FH,+, -,2,M4.0,L14,PASS,STS	SA
5	111079	CHASSIS CABI; QUEEN UPGRADE,AI,T2.0,-,-	SA
6	111080	CHASSIS-CABI LOW; QUEEN42,AL6063,-,-,SC	SA
7	111291	ASSY COVER COMP; BRS7000M	SA
8	111337	ASSY-COVER HOUSING,REAR; QUEEN,-,-,-	SA
9	111209	ASSY PCB EEPROM; 0x08,D601, D602, D603,BR	SA
10	110883	CASE PBA-MAIN; QUEEN UPGRADE,PC,BLACK,HN-	SA
11	111348	ASSY PLATE-FIXER HOUSING; QUEEN-PJT	SA
11-1	110805	PLATE-FIXER HOUSING; QUEEN,SBHG1,T1.0,-,-	SA
12	110995	COVER PCB-PANEL; QUEEN,MPPE,PX9406K, VICTO	SA
13	111250	ASSY WIRE HARNESS-PCB DC; SBS,FREE VOLT,U	SA
14	111251	ASSY WIRE HARNESS-PCB AC; SBS,FREE VOLT,U	SA

Cabinet Parts List

No.	Dacor Part #	Description	SNA
15	110191	ASSY CASE PBA-SMPS LED; QUEEN UPGRADE	SNA
15-1	111196	ASSY MODULE; STD #9 SMPS,RB7000,60W (5V 5	SA
15-2	110882	CASE PBA; QUEEN UPGRADE,PC,BLACK,5VB	SA
15-3	110881	CASE PBA-SMPS LED; QUEEN UPGRADE,PC,BLACK	SA
15-4	111225	ASSY WIRE HARNESS-ETC; ALL,FREE VOLT,UL+I	SA
15-5	110700	SENSOR HUMIDITY; DA32-00034B,SHT20P,5V,0	SA
15-6	110659	SCREW-TAPPING; PH,+,NO,2S,M3,L8,ZPC(WHT),	SA
15-7	110682	COIL FILTER; QUEEN09-PJT,20mH,40mohm,33	SA
16	110637	CBF-POWER CORD; AT,US,EP3,HOU(2P)+LUG(1P)	SA
17	111226	ASSY WIRE HARNESS-UNIT DC; SBS,FREE VOLT,	SA
18	111227	ASSY WIRE HARNESS-UNIT AC; SBS,100~127VAC	SA
19	110958	COVER-INS PIPE CONNECT; QUEEN48,SBHG1,T0.	SA
20	111074	GROMMET-SUCT PIPE A; NBR,-,ID4,OD20	SC
21		ASSY PIPE SUCTION-FOAM; QUEEN,OD7.94	SNA
23	110192	INSULATION TUBE; QUEEN,EPDM FOAM,OD30,ID1	SNA
24	111075	GROMMET-SUCT PIPE B; RAIL L20,NBR,-,ID5.5	SA
25	111314	ASSY INS-PIPE CONNCET; QUEEN,-,-,-,-,-,-,-,-,	SA
26	110724	ASSY WIRE HARNESS-EARTH; ALL,FREE VOLT,UL	SA
27	110926	VALVE WATER; AC110~127V,3WAY,#187+250,1,2	SA
27-1		BRACKET-WATER VALVE; EHP,GI-SGCC,T1.6,-	SNA
27-2	110924	VALVE WATER; AC110~127V,2WAY,#187+250,1,2	SA
27-3	110925	VALVE WATER; AC110~127V,2WAY,#187+250,1,2	SC
28	110976	COVER-CHASSIS CORNER; GE,NBR,T3.0,GRAY	SA
29	110973	COVER-WATER LINE; QUEEN,HDPE,-,-,L41,-,-,	SA
30		NUT-WATER LINE A; SR-S7180,PA6,COOL WHITE	SNA
31	111293	ASSY COVER-HOSE UPP; QUEEN,PP,,,,,,,	SA
32	111294	ASSY PIPE-WATER ICE; QUEEN,115V	SA

Cabinet Parts List

No.	Dacor Part #	Description	SNA
32-1		NUT-WATER LINE A; SR-S7180,PA6,COOL WHITE	SNA
32-2		PIPE-WATER LINE; LLDPE,WHITE,I.D4.2, O.D6	SNA
32-3	110975	GROMMET-PIPE WATER FILL IN; GE42",SI,NTR	SA
32-4	111158	FIXER-VALVE WATER B; SR-S7180,PA6,-,BLUE	SA
33		CABLE CLAMP; DA-7N,ID12,T1.0,NYLON66,-	SNA
34	110715	SWITCH DOOR; AC125V/250V,11,SLIDE	SA
35	110768	HINGE-UPP,L; BRS7000M,PO-SPHC,T4,SHAFT CA	SA
36	110769	HINGE-UPP R; BRS7000M,PO-SPHC,T4,SHAFT CA	SA
37	110971	COVER-PIPE UPP; QUEEN,SBHG1,T0.6,-,-,-,-	SA
38	110969	COVER-PIPE REAR; QUEEN,SBHG1,T0.6,-,-,-,-	SA
39	111346	ASSY CASE FILTER; QUEEN,0.96mm	SA
39-1	111132	CAP-SUPPORT FILTER; A-TOP,PP,-,-,-, WHITE,	SA
39-2	110806	CLIP-FITTING LOCK; AW,POM	SA
40	111332	ASSY-COVER LEG FRONT; QUEEN UPGRADE,DACOR	SA
40-1	110991	COVER-LEG FRONT; QUEEN42,STS304,T0.8	SA
40-2	111304	ASSY-LEG FRONT; QUEEN,-	SA
40-3	110645	SCREW-MACHINE; TH,+,-,M4,L16,ZPC(WHT),SWR	SA
40-4	110648	SCREW-TAPPING; TH,+,-,NO,1,M4,L16,ZPC(WHT),	SA
41	110954	TRAY DRAIN-WATER; QUEEN,PP,T2.0,W524,L517	SA
42	111335	ASSY-SUPT TRAY DRAIN; GE,WATER,-,-	SA
42-1	110782	FIXER GROMMET-DOOR; T3-PJT,PP,T2.5,COOL W	SA
42-2		SUPPORT-TRAY DRAIN WATER; GE,SBHG1,T1.0,-	SNA
42-3	110955	GROMMET-TRAY DRAIN WATER; QUEEN,ABS,T2.0,	SA
43	111295	ASSY-SUPT PIPE SUB COND; GE,-,-,-	SA
43-1		SUPPORT-PIPE SUB COND; QUEEN,PA66,T2,NTR,	SNA
43-2		SUPPORT-TRAY DRAIN WATER; GE,SBHG1,T1.0,-	SNA
43-3	110959	GROMMET-COND; QUEEN,NBR,-,-,-,-,-,DARK GR	SA
43-4	110672	SCREW-SPECIAL; PH,+,-,M4.0,L20(12),ZPC(WH	SA
44	111327	ASSY-LEG REAR; QUEEN/GE PJT,A46,B97,-,-	SA

Cabinet Parts List

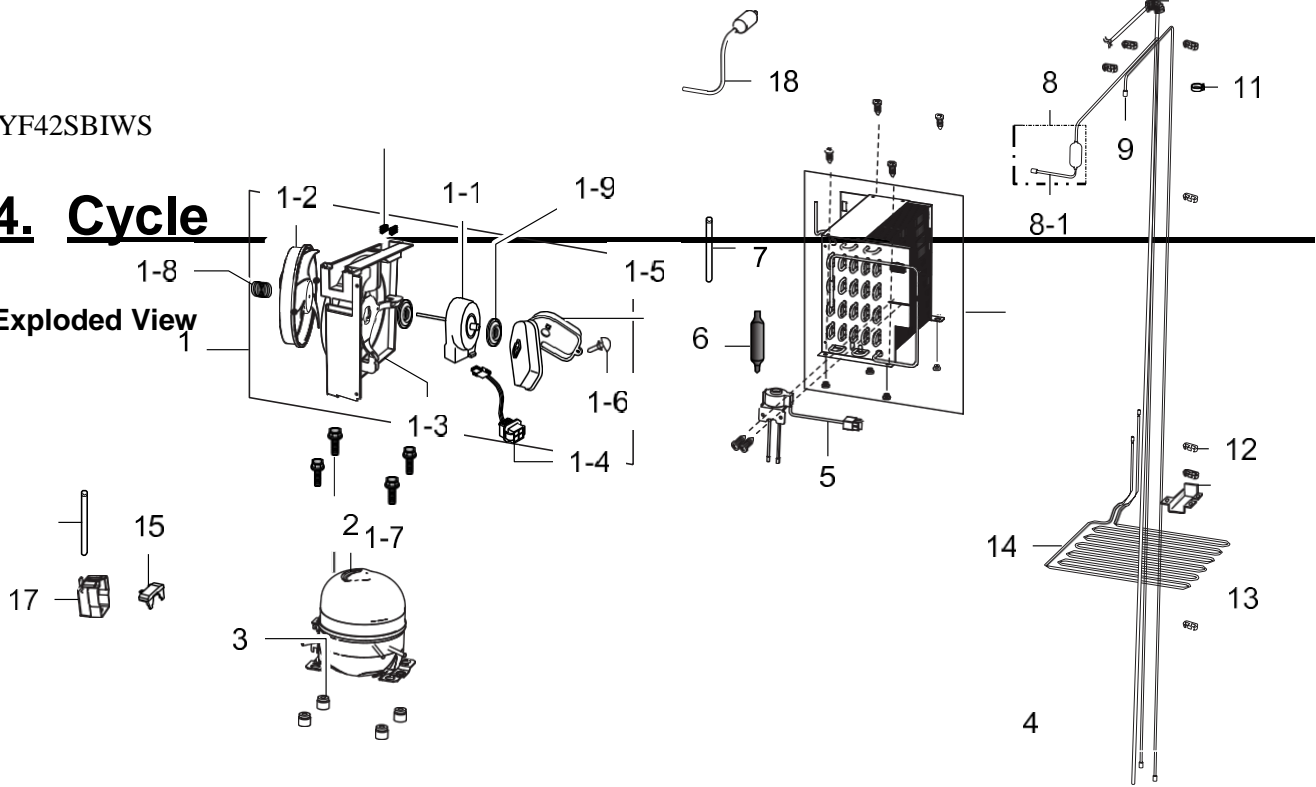
No.	Dacor Part #	Description	SNA
45	111281	ASSY CASTER-MOVING; QUEEN,-,OD40,-,H78,	SA
46	110965	GROMMET-CAP LINK; QUEEN-PJT,PA66	SA
47	110966	GROMMET-LINK A; QUEEN-PJT,PA66	SA
48	110967	GROMMET-LINK B; QUEEN-PJT,PA66	SA
49	111285	ASSY HINGE-AUTO CLOSE L; QUEEN-PJT,-,-,-,	SA
49-1	110758	SUPPORT-SHOCK ABSORBER; QUEEN,PA66,-,NTR	SA
49-2	110770	OIL DAMPER-DOOR; QUEEN48,325.7,81.3, OD18	SA
49-3	111282	ASSY HINGE LOW-L; QUEEN,T6,W113.2,L170.85	SA
49-4	111344	ASSY HINGE-LINK LOW L; QUEEN-PJT,-,-,L454	SA
49-5	111322	ASSY-BASE LEG L; QUEEN,BLACK,-,-	SA
49-6	110785	BRACKET-COVER LEG FRONT; QUEEN,SBHG1,T2.0	SA
49-7	110799	REINF-BASE LEG; QUEEN,SHP1,T4.0	SA
49-8	110644	SCREW-MACHINE; TH,+,-,M5,L16,ZPC(WHT),SWR	SA
49-9	110649	SCREW-TAPPING; TH,+,-,NO,1,M4,L8,ZPC(WHT),S	SA
49-10	110755	SCREW-SPECIAL; M5,L18.5,ZPC(WHT),SWRCH18A	SA
50	111286	ASSY HINGE-AUTO CLOSE R; QUEEN-PJT,-,-,-,	SA
50-1	110785	BRACKET-COVER LEG FRONT; QUEEN,SBHG1,T2.0	SA
50-2	110758	SUPPORT-SHOCK ABSORBER; QUEEN,PA66,-,NTR	SA
50-3	110771	OIL DAMPER-DOOR; QUEEN48",OIL DAMPER,L334	SA
50-4	111283	ASSY HINGE LOW-R; QUEEN,T6,W113.2,L170.85	SA
50-4-1	110643	SCREW-MACHINE; PH,+,-,M4,L6,PASS,STS304,-	SA
50-5	111345	ASSY HINGE-LINK LOW R; QUEEN-PJT,-,-,L454	SA
50-6	111321	ASSY-BASE LEG R; QUEEN,BLACK,-,-	SA
50-7	110980	GROMMET-SHAFT HINGE LOW; QUEEN,SI,2.0,15.	SA
50-8	110799	REINF-BASE LEG; QUEEN,SHP1,T4.0	SA
50-9	110644	SCREW-MACHINE; TH,+,-,M5,L16,ZPC(WHT),SWR	SA
50-10	110649	SCREW-TAPPING; TH,+,-,NO,1,M4,L8,ZPC(WHT),S	SA

Cabinet Parts List

No.	Dacor Part #	Description	SNA
50-11	110755	SCREW-SPECIAL; M5,L18.5,ZPC(WHT),SWRCH18A	SA
51	110960	GROMMET-HINGE LOW; QUEEN,PA66,NTR	SA
52	110778	SUPPORT-REF; QUEEN,SHP1,T2.5,-,-,-,-	SA
53	111334	ASSY-COVER CONNECTOR; QUEEN,-,-,-	SA
54	111323	ASSY-SWITCH MAIN; QUEEN,-,-,-	SA
54-1		SWITCH-ROCKER; AC250V,16A,DPST,ON-OFF	SA
55	110197	FILTER-WATER; ATOP,-,NSF42	SNA
56	110784	SUPPORT-PCB PANEL; QUEEN,N-ABS(5V),-,-,-,	SA
57	110017	ASSY PCB INVERTER; INVERTER,AW2-CD-14,163	SA
58	110990	COVER-URETHANE; AW-PJT,ABS,BLACK,5VA	SA
59	110962	COVER-HOUSING; QUEEN,N-ABS,,,,,,	SA
60	111329	ASSY-PARTITION AIR; QUEEN,GE-OEM,-,-	SA
61	111336	ASSY-SUPT COVER COMP; GE,-,-,-	SA
62	110756	WASHER; T3-PJT,STS304,PI 4.2,T1.0,WHITE,T	SA
63	110815	SUPPORT-CABINET LOW; Queen09,SHP1,T4.0	SA
64	110819	FIXER-TUBE FITTING; QUEEN,ABS,NEO VICTORY	SA
65	110961	GROMMET-HINGE UPP; QUEEN,PA66,NTR	SA
66	110745	FITTING-TUBE; TUBE FITTING A,PP,1/4,1/4"-	SA
67	110774	SPRING ETC-WATER HOSE; QUEEN,STS304,?9.5	SA
68	110917	PIPE-WATER LINE; -,LLDPE,-,OD6.35,L4050,-	SA
69	110918	VALVE-FITTING PU; BEST-BUY,(C3604BD-F)+BN	SA
70	110951	GROMMET-FIXER WATER; ZIPEL,STS304,-,-,-,-	SA
71	111170	VALVE-FITTING NUT; A-TOP,CU,12,C3604 BD-F	SA
72	110743	FASTENER-SOCKET; QUEEN,SCM435,-,-,-,-,-	SA
73	111381	ASSY GROMMET; POLARIS,POM	SA

4. Cycle

Exploded View



Cycle Parts List

No.	Dacor Part #	Description	SNA
1	111354	ASSY SUPPORT-CIRCUIT MOTOR; QUEEN	SA
1-1	110691	MOTOR BLDC; DRCP5030LA,1550,12V,230mA,2.7	SC
1-2	110685	FAN-SHROUD; QUEEN,ABS+GF	SA
1-3	110780	SUPPORT-CIRCUIT MOTOR; QUEEN,HIPS,T2.5,S8	SA
1-4	111218	ASSY WIRE HARNESS-MOTOR; ALL,12VDC,UL+IEC	SA
1-5	110952	COVER MOTOR; OMEGA,PP,HB,NATURAL,BJ750,BL	SA
1-6	111073	GROMMET-COVER CHIL; SI,L16,WHITE	SA

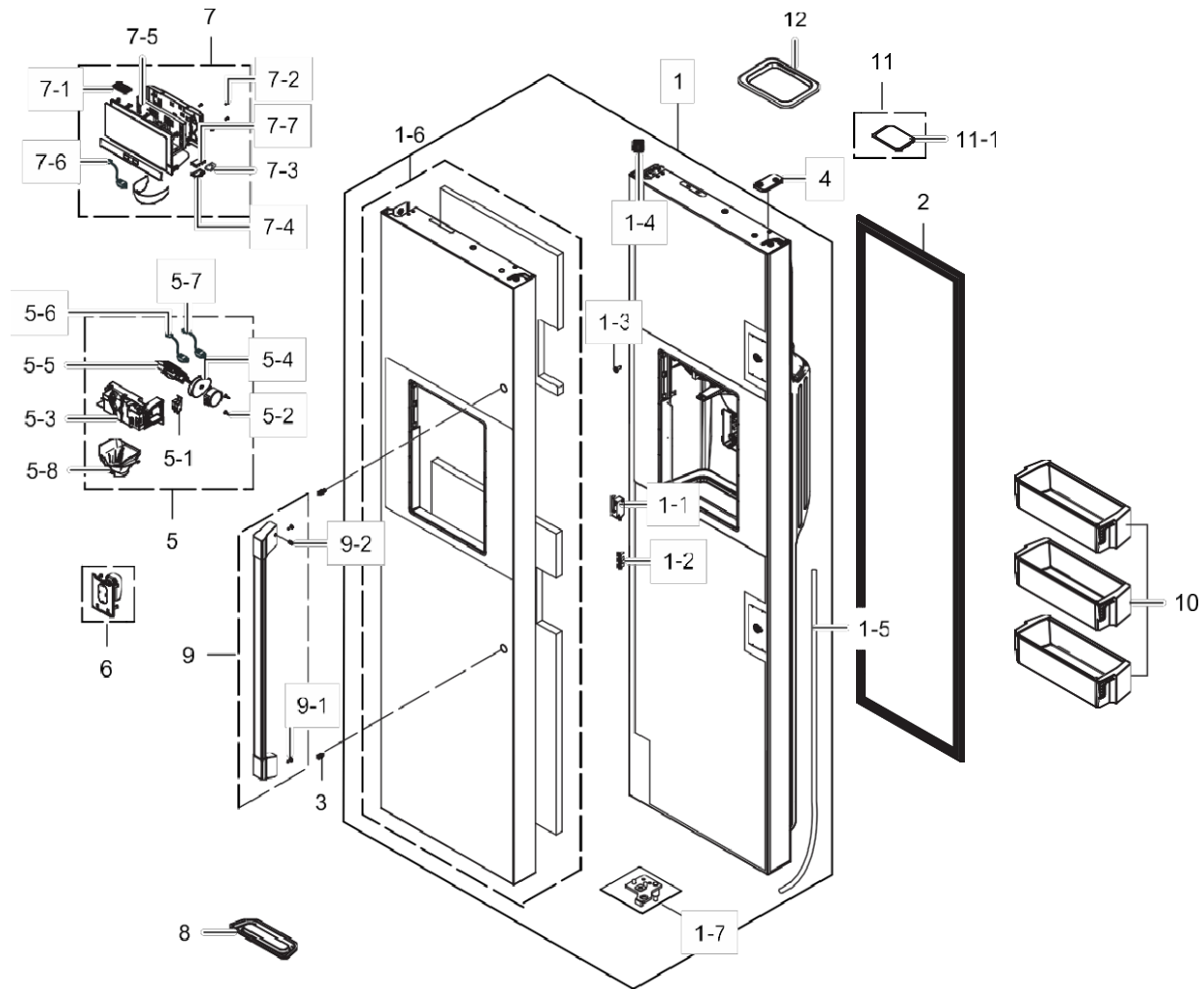
16

Cycle Parts List

No.	Dacor Part #	Description	SNA
1-7	110916	SUPPORT-GASKET; ICE-MAKER,NBR,T2.0,-,-,-,	SA
1-8	110913	SPRING ETC-FAN; STS304,PI8.8,ID7.8,OD9.8,	SA
1-9	110953	GROMMET-MOTOR,REAR; A-TOP,NBR,BLACK,BLDC	SA
2	111690	COMPRESSOR; 115V~60HZ,BLDC,FAN,MKV	SA
3	110979	GROMMET COMP; USP05,EPDM,OD27.0,BLACK	SA
4	111292	ASSY PIPE-STEEL FIN COND; QUEEN,	SA
5	111688	VALVE STEP; DC12V,MODULE,100mm,2WAY	SC
6	110939	DRYER; C1220T-H,137,SINGLE MOUTH,15.8,9g	SA
7	111167	PIPE-CONNECT DISC,B; ALL,Cu,C1220T,OD6.35	SA
8	110921	PIPE-SUB COND IN; QUEEN,C1220T-1/2H,OD4.7	SA
8-1	111333	ASSY PIPE-CONNECT B; QUEEN,-	SA
9	110919	PIPE-SUB COND OUT; QUEEN,C1220T-1/2H,OD4.	SA
10	110773	SPRING ETC-WATER HOSE; QUEEN,STS304,9.5	SA
11	111100	CABLE CLAMP; PA66	SA
12	110814	FIXER-PIPE REAR; QUEEN09,EPDM,BLACK,HARDN	SA
13	110968	COVER-PIPE CORNER; QUEEN,SCP1,T2.5,-,-,-,	SA
14	110920	PIPE-SUB COND; QUEEN,C1220T-1/2H,-,-,-,-,	SA
15	110714	RELAY PROTECTOR O/L; 4TM445PHBYY-82, 125	SA
16	111168	PIPE-CONNECT DISC,A; TD-PJT,CU,NATURAL	SA
17	111001	COVER RELAY; MSV,MPP0,T2.0,BLACK,V-0	SA
18	110927	PIPE SUCTION-CONNECT; Cu,C1220T-O,OD6.35,	SA

5. Freezer Door

Exploded View



Freezer Door Parts List

No.	Dacor Part #	Description	SNA
1	111208	ASSY DOOR SUB-FRE;BRS7000M,DACOR,W,DAC	SA
1-1	110634	SWITCH-MICRO; 125/250VAC,1A,80gf,SPST-NO	SA
1-2	110661	SCREW-TAPPING; FH,+,NO,1,M4,L14,ZPC(WHT),	SC
1-3	110648	SCREW-TAPPING; TH,+,NO,1,M4,L16,ZPC(WHT),	SA
1-4	110961	GROMMET-HINGE UPP; QUEEN,PA66,NTR	SA
1-5	110929	PIPE-WATER LINE; -,PB(4137),4.2,6.35,1000	SA
1-6	110062	ASSY COVER DOOR-FRE; QUEEN UPGRADE	SNA
1-7	111278	ASSY BRACKET-LOW LEFT;QUEEN	SA

Freezer Door Parts List

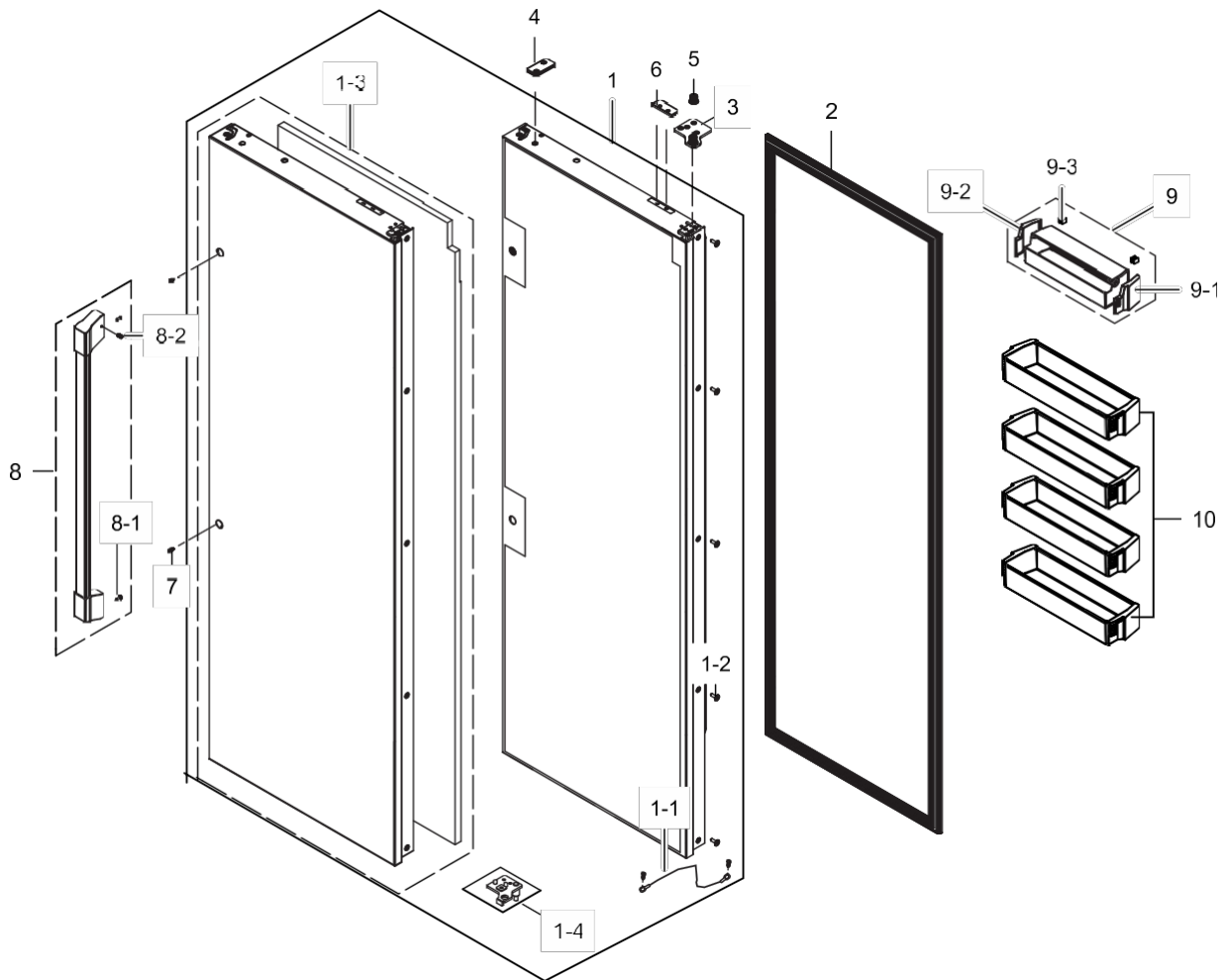
No.	Dacor Part #	Description	SNA
2	110984	GASKET DOOR-FRE; QUEEN,PVC,GRAY,EHP 42"	SA
3	110984	GASKET DOOR-FRE; QUEEN,PVC,GRAY,EHP 42"	SA
4	111330	ASSY-STOPPER DOOR,A; QUEEN,EHP STS GRAY,V	SA
5	111347	ASSY CASE-ICE ROUTE; GUGGENHEIM,-,-,-,-,A	SA
5-1	110634	SWITCH-MICRO; 125/250VAC,1A,80gf,SPST-NO	SA
5-2	110664	SCREW-TAPPING; FH,+,-,1,M4,L14,CR PLT,SWR	SA
5-3	110803	CASE ICE ROUTE; GUGGENHEIM,ABS,NATURAL,HG	SA
5-4	111105	CAM-GEAR MOTOR; QUEEN,POM,NATURAL,K300	SA
5-5	111284	ASSY COVER-ICE ROUTE; QUEEN-PJT,-,-,-,-,-	SA
5-6	111220	ASSY WIRE HARNESS-DISPENSER; AW2-PJT,W/H	SA
5-7	111223	ASSY WIRE HARNESS-DISPENSER; SBS,FDR,FREE	SA
5-8	110804	GUIDE-ICE DISPENSER; GUGGENHEIM,ABS,TX-05	SA
6	111368	ASSY COVER MICRO SWITCH; BRS7000M,Horizan	SA
7	111477	ASSY COVER DISPENSER; BRS7000M,Dacor	SA
7-1	110641	W-LAN MODULE; SWL-CQ52/REF,17K REF,IEEE80	SA
7-2	110659	SCREW-TAPPING; PH,+,-,NO,2S,M3,L8,ZPC(WHT),	SA
7-3	110726	ASSY PCB KIT; LED DISPENSER LAMP,AD,17*31	SA
7-4	110816	CASE LAMP-LED; SEDA,GPPS,-,-,-,TP BLUE,-	SA
7-5	111200	ASSY MODULE; ASSY MODULE,BRS7000M,DISPENS	SA
7-6	111234	ASSY WIRE HARNESS-DISPLAY; ALL,12VDC,UL+I	SA
7-7	110977	COVER-LAMP-LED; EPEL,ABS,COOL WHITE,HG-07	SA
8	110996	COVER TRAY-DISPENSER; QUEEN,ABS,T2.0,INOX	SA
9	111535	ASSY HANDLE; QUEEN UPGRADE,AL,VERTICAL HA	SA
9-1	110648	SCREW-TAPPING; TH,+,-,NO,1,M4,L16,ZPC(WHT),	SA
9-2	110674	SCREW-SET; -,HEX,-,-,#10-24 UNC 2B,L9,PASS,	SA

Freezer Door Parts List

No.	Dacor Part #	Description	SNA
10	111513	ASSY GUARD-FRE; Queen_Upgrade,NEO VICTORY	SA
11	111532	ASSY COVER ICE ROUTE; QUEEN UPGRADE,PP,CA	SA
11-1	111003	COVER ICE-SUB; MT12,PP,HB,COOL WHITE,BJ75	SA
12	111127	CAP-CHUTE ICE; TBI-PJT,ABS,-,-,-,WHITE,-	SA

6. Fridge Door

Exploded View



Fridge Parts List

No.	Dacor Part #	Description	SNA
1	111207	ASSY DOOR SUB-REF;BRS7000M,DACOR,W,DAC	SA
1-1	110723	ASSY WIRE HARNESS-EARTH; ALL,FREE VOLT,UL	SA
1-2	110661	SCREW-TAPPING; FH,+,NO,1,M4,L14,ZPC(WHT),	SC
1-3	110064	ASSY COVER DOOR-REF; QUEEN UPGRADE	SNA
1-4	111277	ASSY BRACKET-LOW RIGHT;QUEEN	SA
2	110983	GASKET DOOR-REF; QUEEN,PVC,GRAY,EHP 42"	SA
3	111219	ASSY-BRACKET HINGE UPP R; QUEEN,SNC2	SA
4	111331	ASSY-STOPPER DOOR,B; QUEEN,DEEP STAINLESS	SA

Freezer Door Parts List

No.	Dacor Part #	Description	SNA
5	110961	GROMMET-HINGE UPP; QUEEN,PA66,NTR	SA
6	110974	GROMMET-DOOR SWITCH; QUEEN,POM,-,-,-,-,-,	SA
7	110844	FIXER HANDLE; AW3-14,SWRCH10A,M8	SA
8	111537	ASSY HANDLE; QUEEN UPGRADE,AL,VERTICAL HA	SA
8-1	110648	SCREW-TAPPING; TH,+,NO,1,M4,L16,ZPC(WHT),	SA
8-2	110674	SCREW-SET; -,HEX,-,#10-24 UNC 2B,L9,PASS,	SA
9	111515	ASSY GUARD DAIRY; Queen_Upgrade,NEO VICTO	SA
9-1	111134	CAP-HINGE DAIRY R; HERMES,POM,NTR	SA
9-2	111135	CAP-HINGE DAIRY L; HERMES,POM,NTR	SA
9-3	111014	GROMMET-A; MOUTON12,SI,COOL WHITE,NAME TA	SA
10	111514	ASSY GUARD-REF; Queen_Upgrade,NEO VICTORY	SA