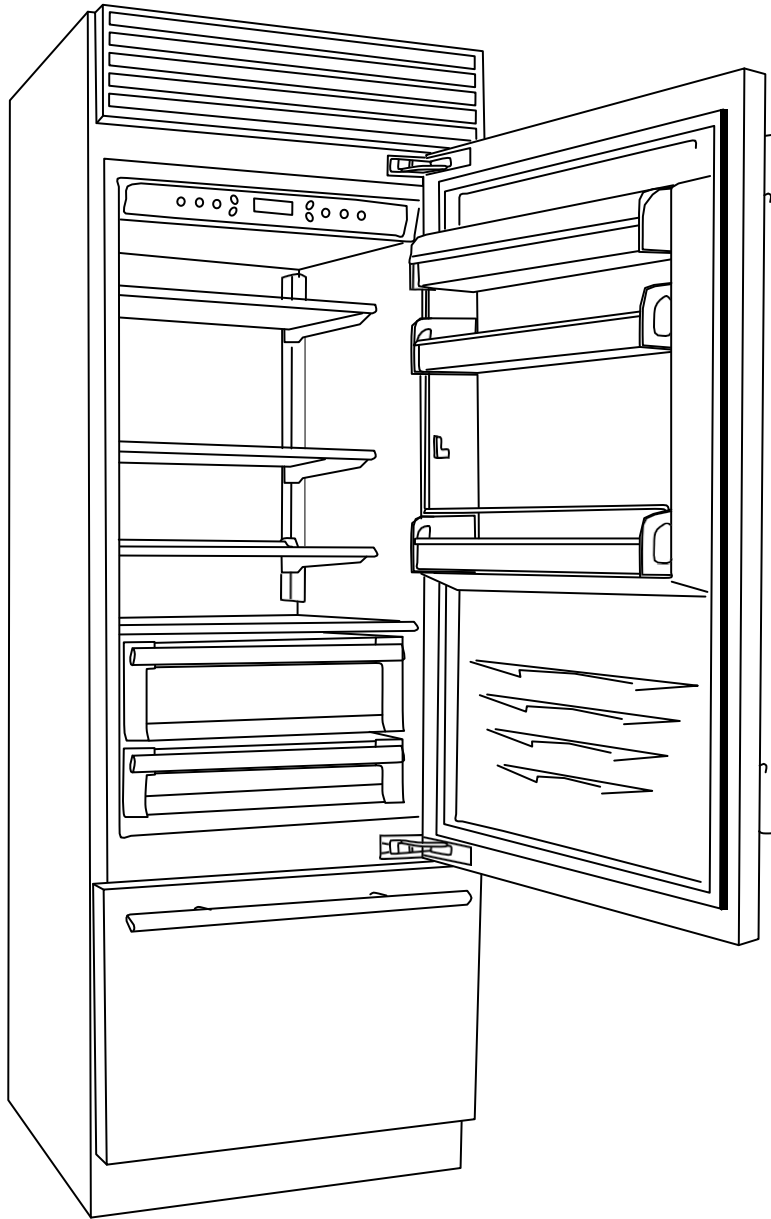


DYF30BFTS

***dacor***

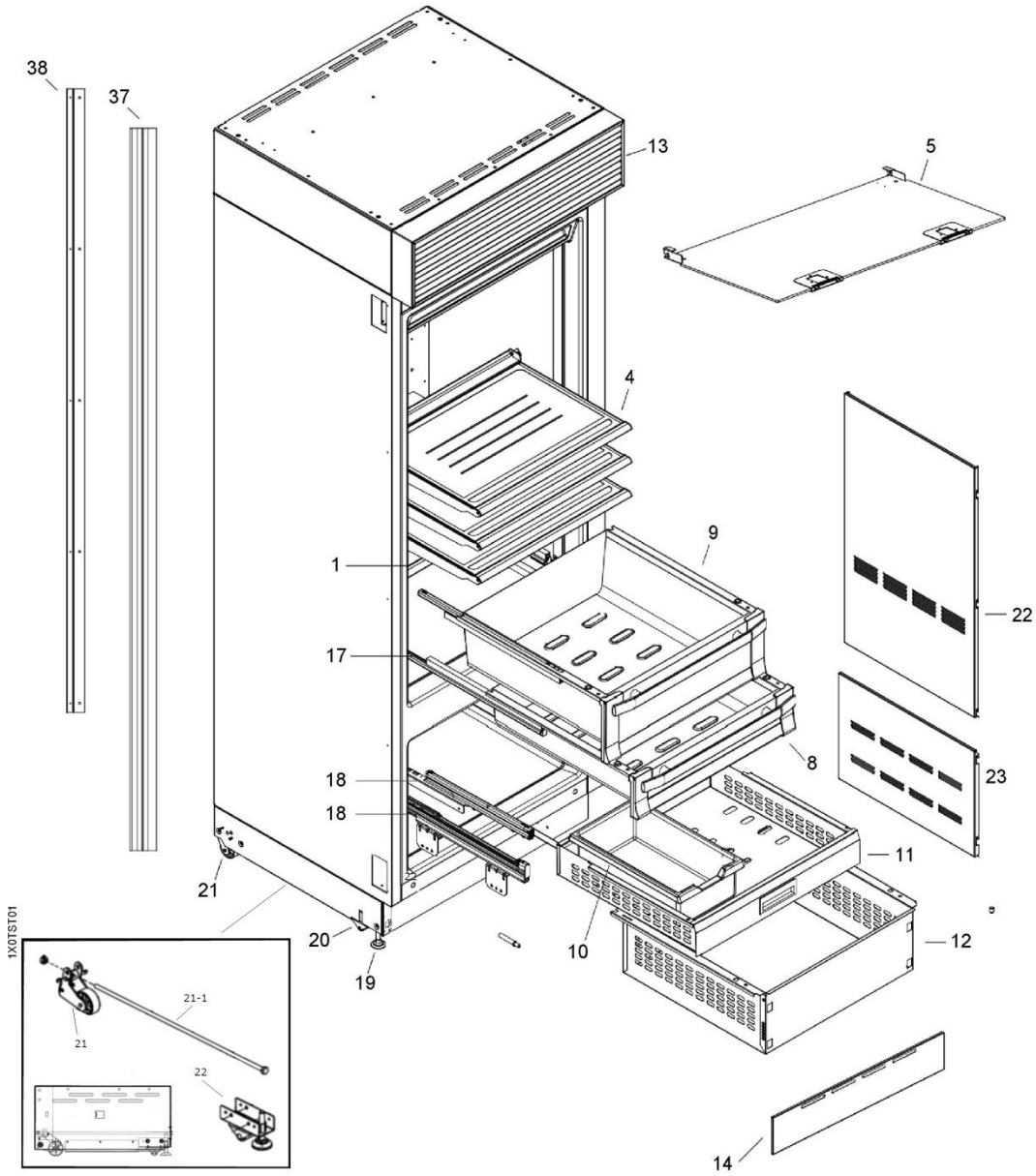
Spare Parts Information



Fridge Freezer Model  
DYF30BFTSR - DYF30BFTSL

DYF30BFTS

DYF30BFTSR / DYF30BFTSL - Cabinet Parts (view 1)

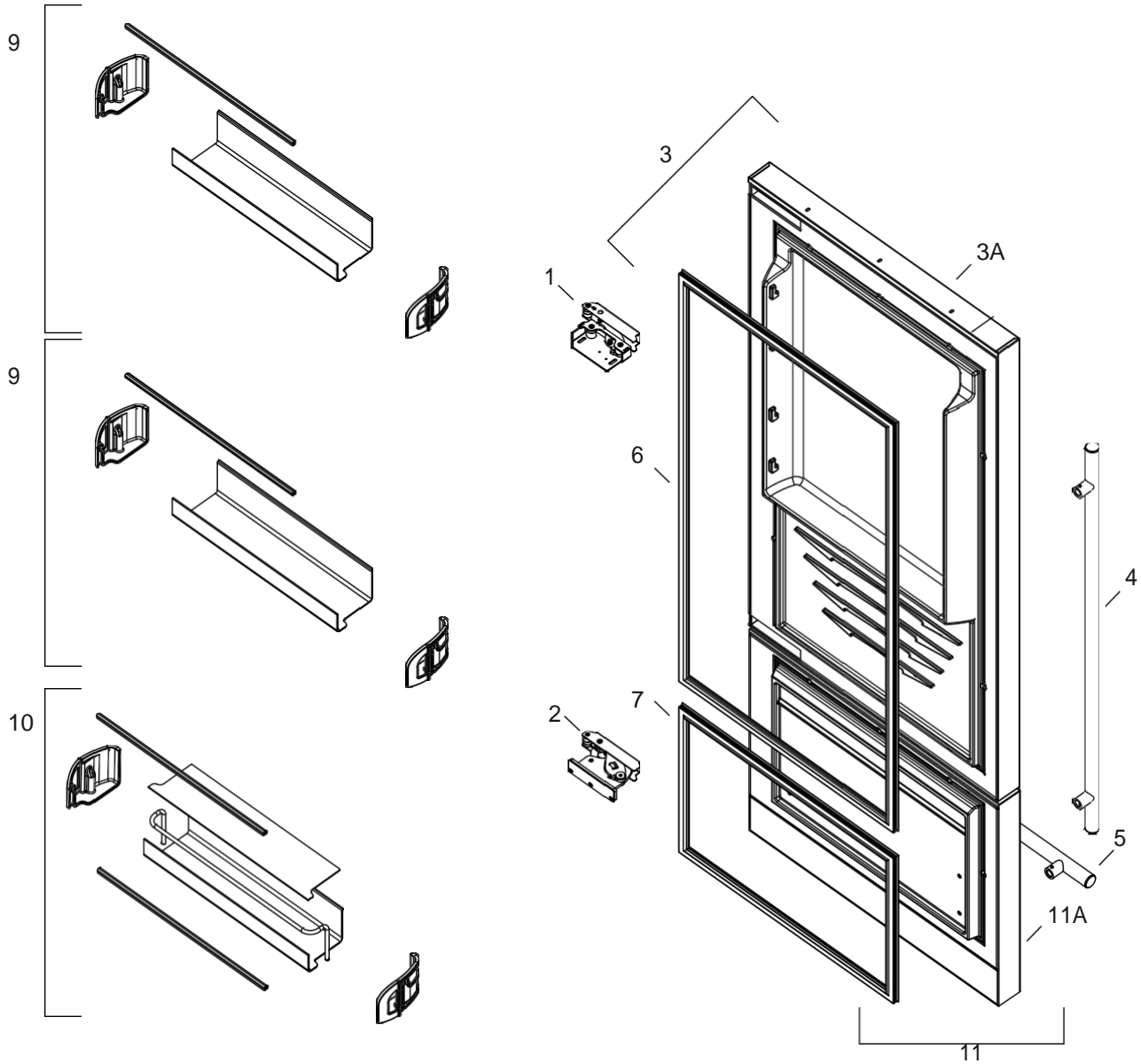


**Cabinet Parts List**

REFERENCE #	DACOR PART #	DESCRIPTION
1	108928	Glass Shelf – full size OT – 0H S749
4	108929	Separator glass – shelf S749 OT
5	108930	Ceiling glass complete S749
8	108931	Low temperature drawer, small S749
9	108932	Low temperature drawer, large S749
10	108933	Plastic Ice tray
11	108934	TriMode drawer (top) S749
12	108935	TriMode drawer (bottom) S749
13	109025	Front ventilation grille
14	109026	Kick plate front X/M 749
17	108937	Sliding Guide for low temperature drawer, small/large R
17	108938	Sliding Guide for low temperature drawer, small/large L
18	108939	Sliding Guide for Trimode drawer (lower) L
18	108940	Sliding Guide for Trimode drawer (upper) L
18	108941	Sliding Guide for Trimode drawer (lower) R
18	108942	Sliding Guide for Trimode drawer (upper) R
19	108943	Adjustable foot
20	108944	Front wheel, complete
21	108945	Rear wheel, complete
21-1	112184	Rod, Balance Bar
22	108946	Upper conveyor S OT
23	108947	Lower conveyor S OT
37	109027	Anodized aluminium joining strip cover LH
37	109028	Anodized aluminium joining strip cover RH
38	108949	Aluminium joining strip

DYF30BFTS

DYF30BFTSR / DYF30BFTSL - Door Parts (view 2)



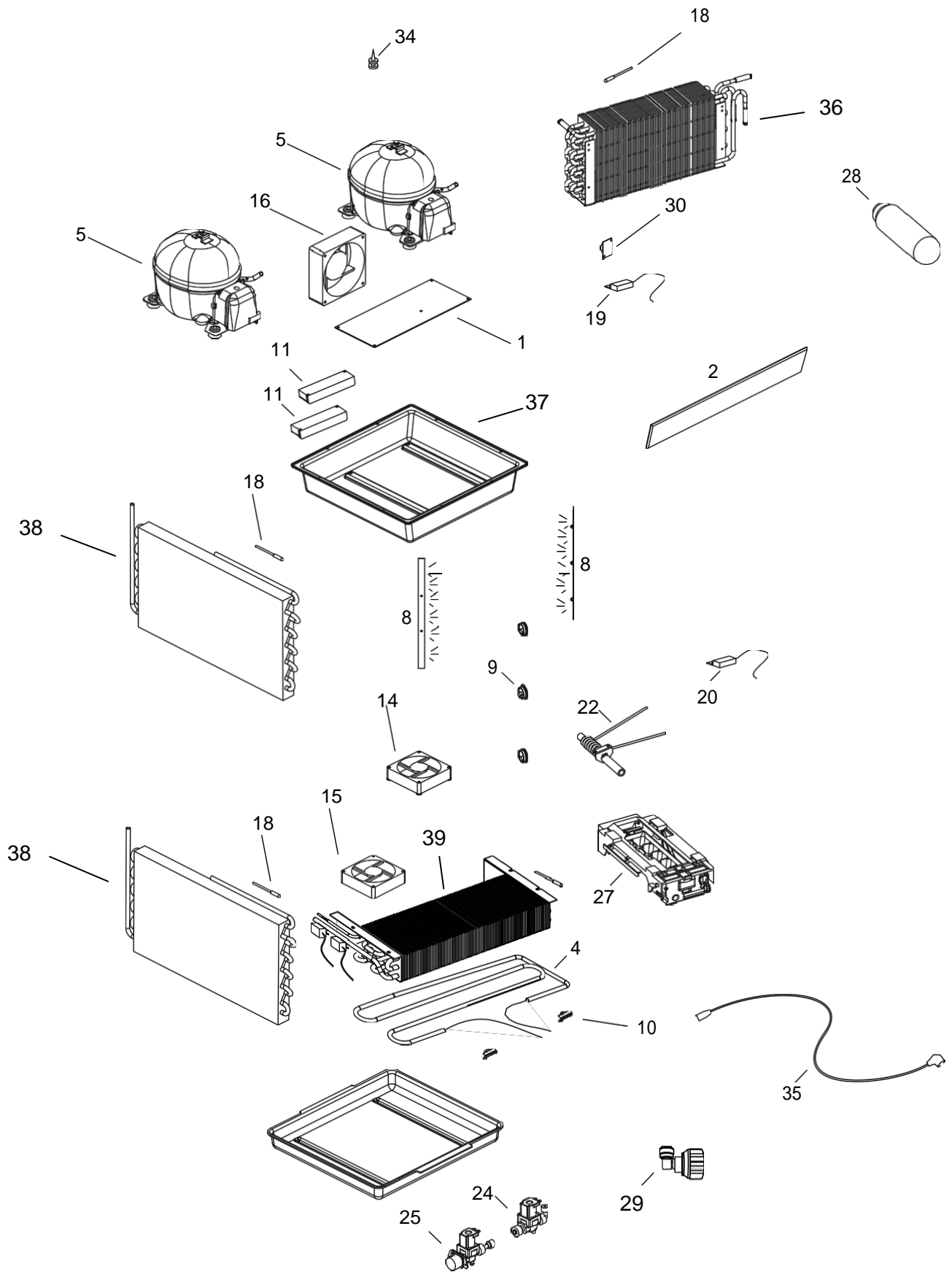
2K1TST00

## Doors Parts List

REFERENCE #	DACOR PART #	DESCRIPTION
1	108951	Dorr hinge, upper RH
1	108952	Dorr hinge, upper LH
2	108953	Dorr hinge, lower RH
2	108954	Dorr hinge, lower LH
3	109029	Door with magnetic gasket – without shelves 749 RH
3	109030	Door with magnetic gasket – without shelves 749 LH
3A	110464	Door panel
4		Vertical Handle
5		Horizontal Handle 749
6	108960	Magnetic gasket door 749
7	108961	<i>Magnetic gasket large basket 749</i>
9	108962	Door bins
10		Door bin, bottles
11	109032	Large basket front with magnetic gasket 749 RH
11	109033	Large basket front with magnetic gasket 749 LH
11A	109034	Drawer panel

DYF30BFTS

DYF30BFTSR / DYF30BFTSL - Functional Parts (view 3)



3MOTST00 UL

## Fuctional Parts List

REFERENCE #	DACOR PART #	DESCRIPTION
1	108967	Main electronic board - Fridge, 2 zones
2	108968	User interface, main complete, glass front
4	108969	Defrost heater
5	108970	Compressor, Refrigerator VEMY3H with inverter
5	108971	Compressor, Refrigerator VEMY5H with inverter
8	108972	LED Light strip, 3 LED
9	108973	LED complete, for steel plate - brill
10	108974	LED complete, for plastic - brill
11	108975	LED power supply, 3 LED
11	108976	LED power supply, 15 LED
14	108977	Fan unit air cirulation, upper
15	108978	Fan unit, freezer circulator
16	108979	Condenser cooling fan
18	108980	NTC temperature probe
19	108981	Electromechanical switch fridge
20	108982	Electromechanical switch freezer
22	108983	Anti-Ice Heater for IceMaker
24	108984	Solenoid Valve, Water Fill
25	108985	Solenoid Valve, Water Fill (safety)
27	108986	Ice Maker Sankyo
28	ABFF2	Water Filter
29	108988	Water Fill Hose
30	108989	Buzzer
31	108990	Temperature limiter, freezer defrost
32	108991	Dehydrator filter
34	108992	Fan Fixing Rubber Plug (all Fans) 12 pcs
35	108993	Main cable
36	112232	Condenser
37	112231	Cover board w/LED
38	112233	Upper Evaporator
39	109971	Lower Evaporator