

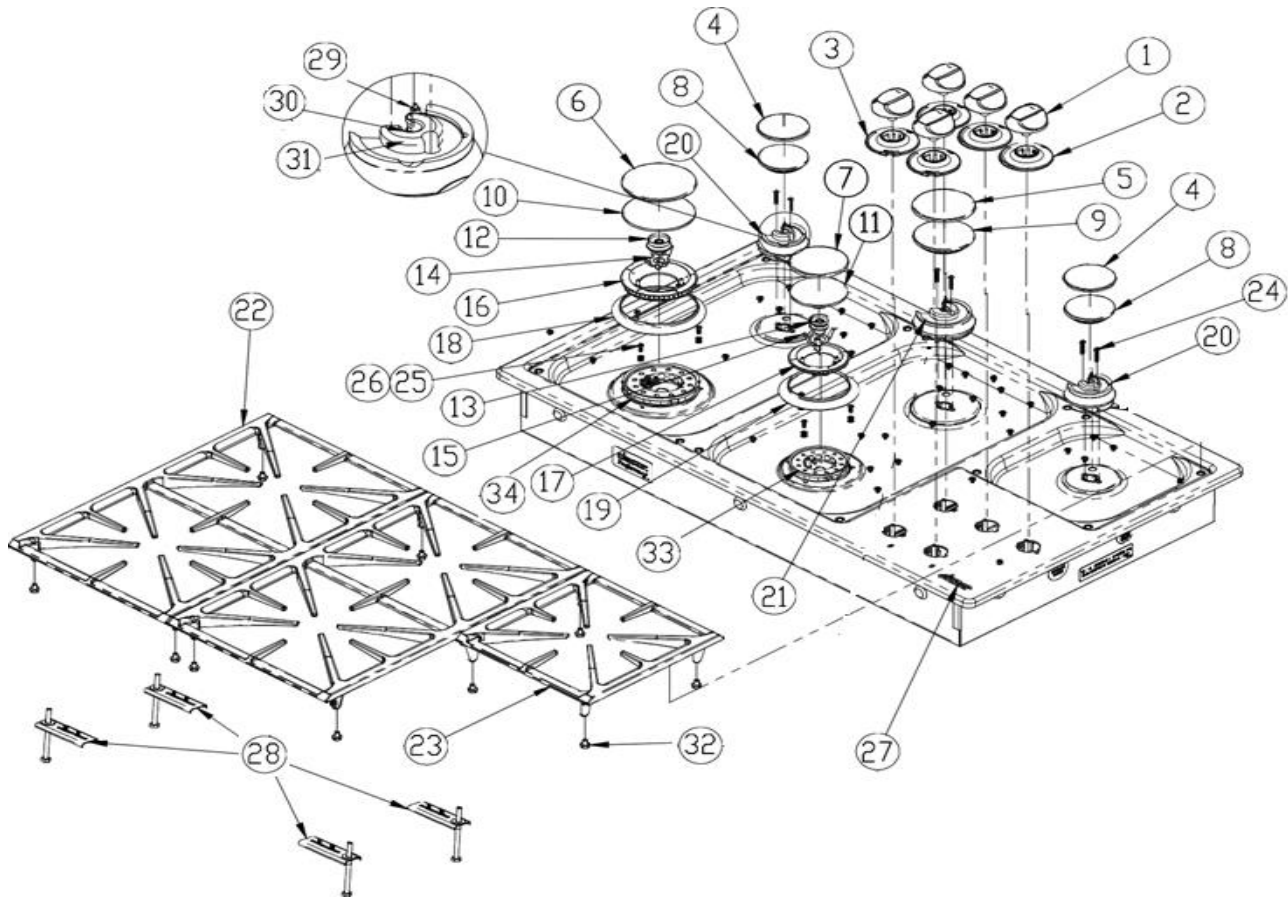
# ***dacor***

LET THE SHOW BEGIN

## **DYCT365**



## Top Frame Assembly



Item	Part #	Description
1	109321	Knob Assembly
2	108924-01	Spill Protector
3	108925-01	Spill Protector w/ Simmer
4	92235	Burner Head Cover, B-Burner
5	92236	Burner Head Cover, C-Burner
6	92232	Top Cap Cover, D-Dual
7	92231	Top Cap Cover, C-Dual
8	103735	Burner Head, B-Single
9	103737	Burner Head, C-Single
10	92230	Top Cap Flat, D-Dual
11	92460	Top Cap Flat, C-Dual
12	103756	Inner Burner Base, D-Dual
13	103801	Inner Burner Base, C-Dual
14	103739	Retaining Clip, D-Dual
15	103748	Retaining Clip, C-Dual
16	103738	Burner Head, D-Dual
17	103736	Burner Head, C-Dual

Item	Part #	Description
18	92226	Cross Ring, Skirt, D-Dual
19	92459	Cross Ring, Skirt, C-Dual
20	700174	Burner Base Assy, B-Dual
21	700175	Burner Base Assy, C-Single
22	108900	Grate, Double, 12"
23	108901	Grate, Single, 10"
24	83716	Screw, Torx Pan Head
25	83707	Screw, Torx Pan Head
26	83719	Washer, #6 SS
27	110166	Dacor Logo
28	12269	Kit, Hold Down Brackets
29	100325 <sup>1</sup>	Electrode <sup>1</sup>
30	66976 <sup>1</sup>	Spring <sup>1</sup>
31	66960 <sup>1</sup>	Retaining Ring <sup>1</sup>
32	701101 <sup>2</sup>	Grate Support Pad Kit <sup>2</sup>
33	92388	Cross Ring, C-Burner
34	92195	Cross Ring, D-Burner

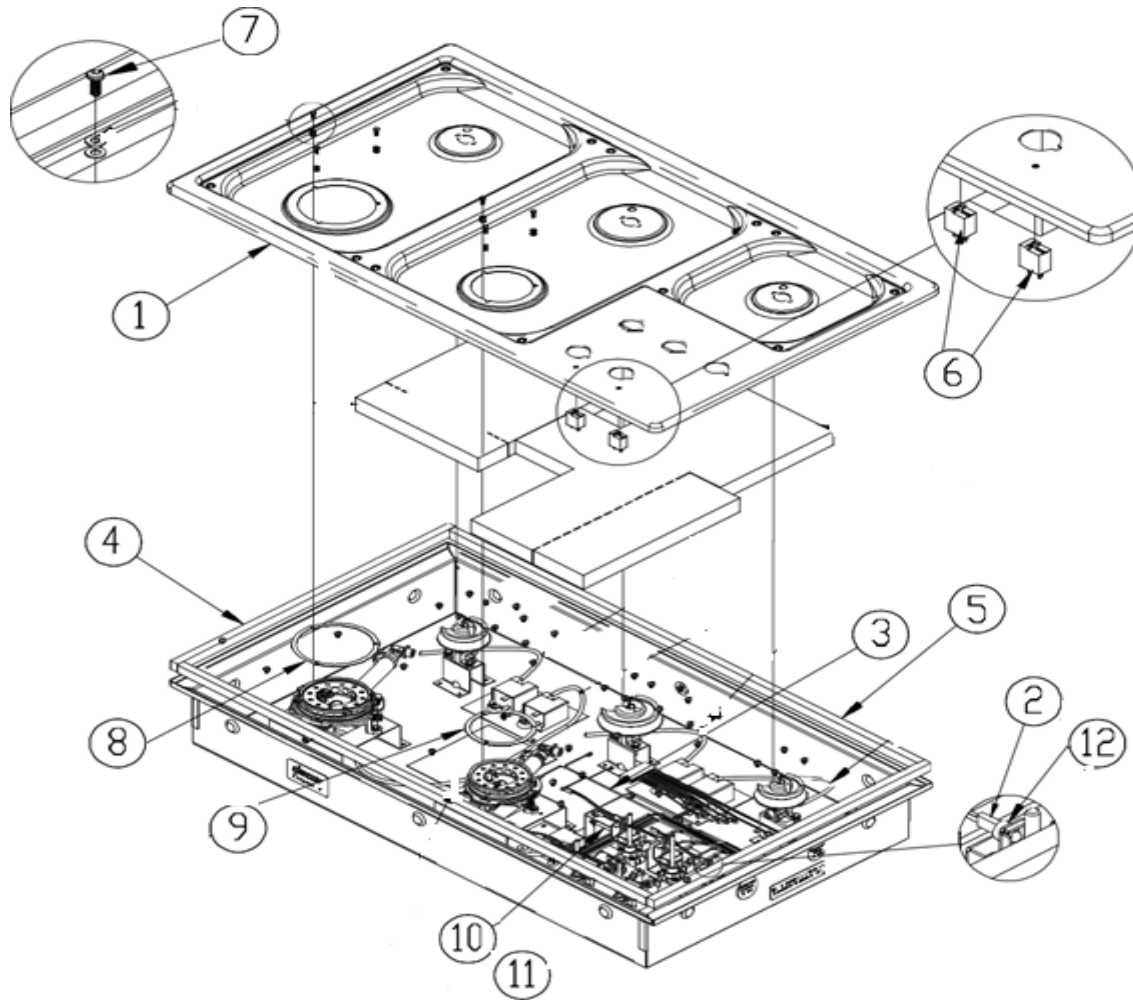
<sup>1</sup>Order as kit # 700207. Contains one electrode, one spring and one retaining ring.

<sup>2</sup>Kit # 701101 contains four pads.

**dacor**  
LET THE SHOW BEGIN

Dacor Parts Dept. 800-793-0093 x3814 / Tech Dept. 800-793-0093 x3815

## Upper Assembly



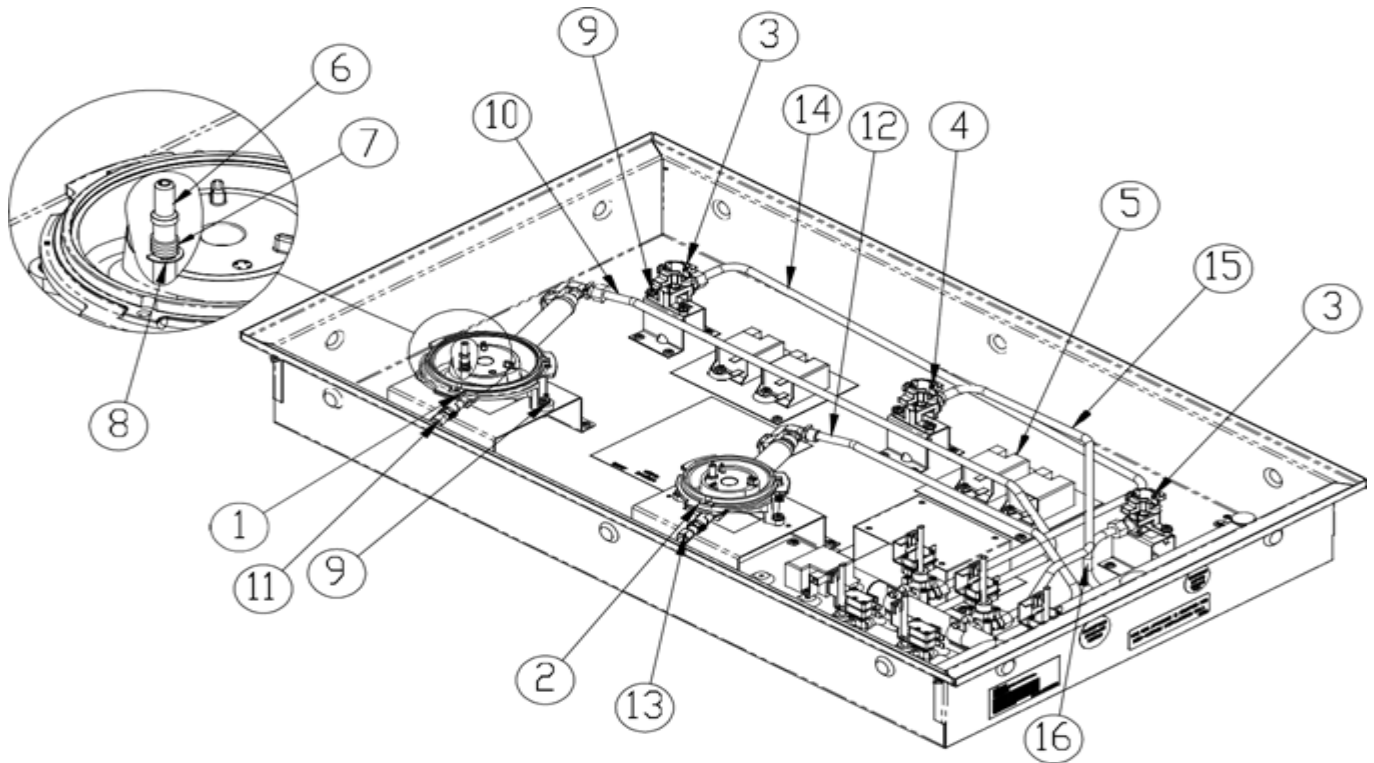
Item	Part # RGC365S	Part # RGC365B	Description
1	46323S <sup>1</sup>	700194 <sup>1</sup>	Assy, Top Frame, Frame
2	701614	701614	LED Assembly Kit <sup>2</sup>
3	103790 <sup>3</sup>	103790 <sup>3</sup>	Wire Harness
4	92310-001	92310-001	Foam Gasket
5	92310-003	92310-003	Foam Gasket
6	62036	62036	Blue Indicator Light

Item	Part # RGC365S	Part # RGC365B	Description
7	83707	83707	Screw, Torx Pan Head
8	92309	92309	Graphite Gasket, D-Dual
9	92308	92308	Graphite Gasket, C-Dual
10	106104	106104	Board, LED Isolator
11	83538	83538	Support, Nylon PCB
12	103757	103757	Retaining Ring, LED

<sup>1</sup>Top frame kits shown include top frame with logo, 2 dual burner gaskets, 3 single burner O-rings and 6 screws.

<sup>2</sup>Order # 103790 for complete wiring kit with wiring harness and all 4 igniter wires included.

## Spark System/Burners and Tubes

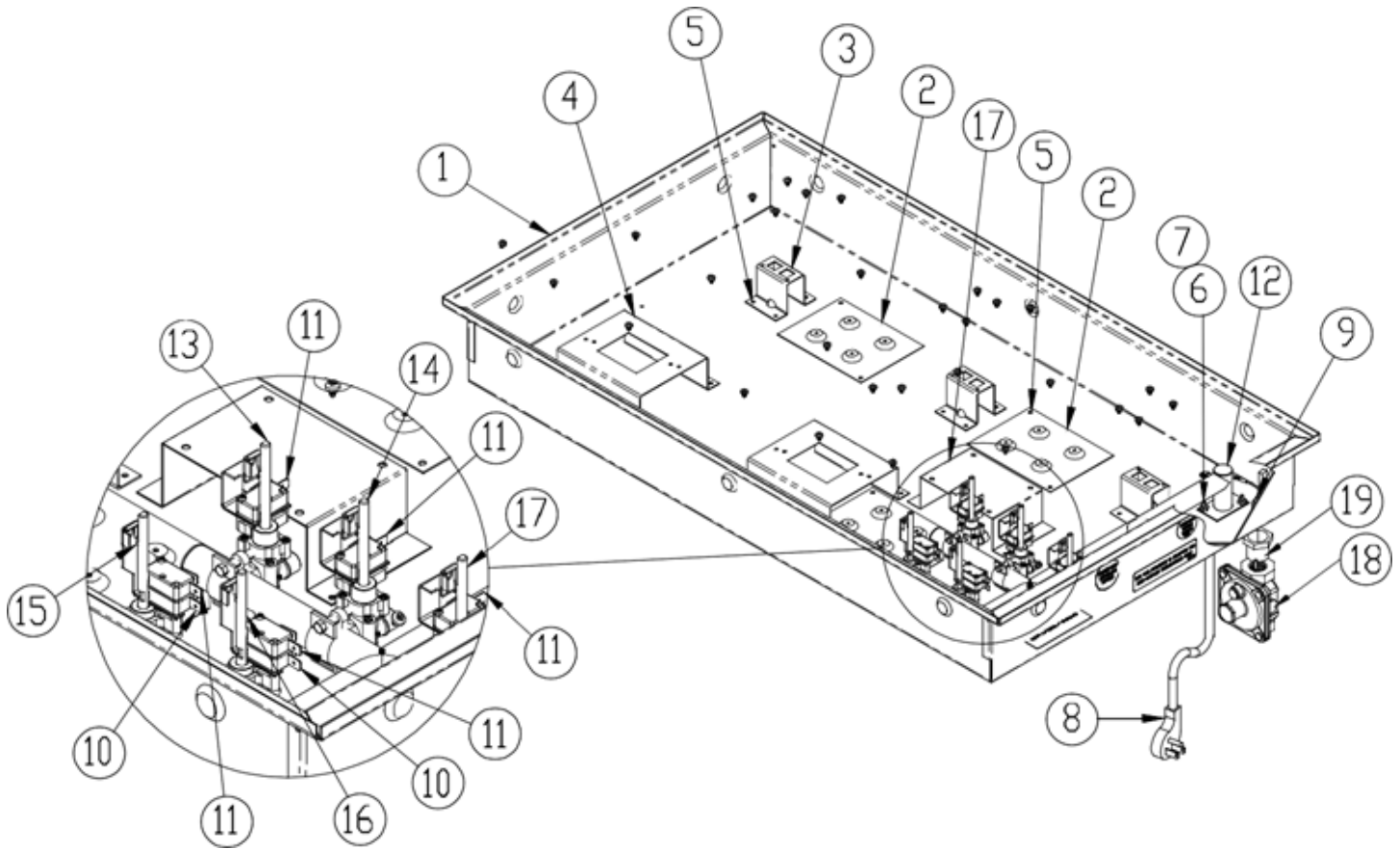


Item	Part # NG	Part # LP	Part #NGH	Part # LPH	Description
1	103744-01 <sup>1</sup>	103744-02 <sup>1</sup>	103744-03 <sup>1</sup>	103744-04 <sup>1</sup>	D-Dual, Burner Base
2	103747-01 <sup>1</sup>	103747-02 <sup>1</sup>	103747-03 <sup>1</sup>	103747-04 <sup>1</sup>	C-Dual, Burner Base
3	72806NG	72806LP	72806NGH	72806LPH	Jet Holder, B Single
4	72809NG	72809LP	72809NGH	72809LPH	Jet Holder, C Single
5	72634	72634	72634	72634	Spark Module
6	92237 <sup>2</sup>	92237 <sup>2</sup>	92237 <sup>2</sup>	92237 <sup>2</sup>	Igniter, Dual Burner
7	92238 <sup>2</sup>	92238 <sup>2</sup>	92238 <sup>2</sup>	92238 <sup>2</sup>	Spring, Dual Igniter
8	66960 <sup>2</sup>	66960 <sup>2</sup>	66960 <sup>2</sup>	66960 <sup>2</sup>	Retaining Ring, Dual Igniter
9	83700	83700	83700	83700	Screw, Phil, #10 x 3/4
10	108566	108566	108566	108566	Burner Tube #4, 5/16"
11	107145	107145	107145	107145	Flex Tube 27 Inch Long, 3/16"
12	108565	108565	108565	108565	Burner Tube #5, 5/16"
13	107146	107146	107146	107146	Flex Tube 20 Inch Long, 3/16"
14	108566	108566	108566	108566	Burner Tube #1, 5/16"
15	108565	108565	108565	108565	Burner Tube #2, 5/16"
16	108564	108564	108564	108564	Burner Tube #3, 5/16"

<sup>1</sup>Includes igniter.

<sup>2</sup>Must order complete kit (PN 76245). Kit includes one igniter, one spring and one retaining ring.

## Chassis Assembly



Item	Part #	Description
1	46318	Chassis
2	46297	Igniter Mounting Plate
3	46319	Single Support Channel
4	46286	Support Channel Dual
5	83001	Screw, Phil HD, #8x1/4"
6	83048	Nut, Hex, Keps, #8-32
7	83572	Screw, Phil, #8-32x1/2"
8	72765	Cord, Power Supply
9	83141	Bushing, Strain Relief
10	66987	Micro-switch "NC"
11	66986	Micro-switch "NO"
12	701421-02	Manifold w/ Valves Asy. LP
	701421-01	Manifold w/ Valves Asy. NG

Item	Part #	Description
12	701421-03	Manifold w/ Valves Asy. NGH
	701421-04	Manifold w/ Valves Asy. LPH
13	66953NG/NGH/LP/LPH	Single Valve, B-Burner
14	66971NG/NGH/LP/LPH	Single Valve, C-Burner
15	66972NG/NGH/LP/LPH	Dual Valve, D-Burner
16	66955NG/NGH/LP/LPH	Dual Valve, C-Burner
17	103798	Bracket, LED Isolation
18	72980	Regulator 10", LP
	62834	Regulator 5/10", NG
19	83458	Reducer Bushing