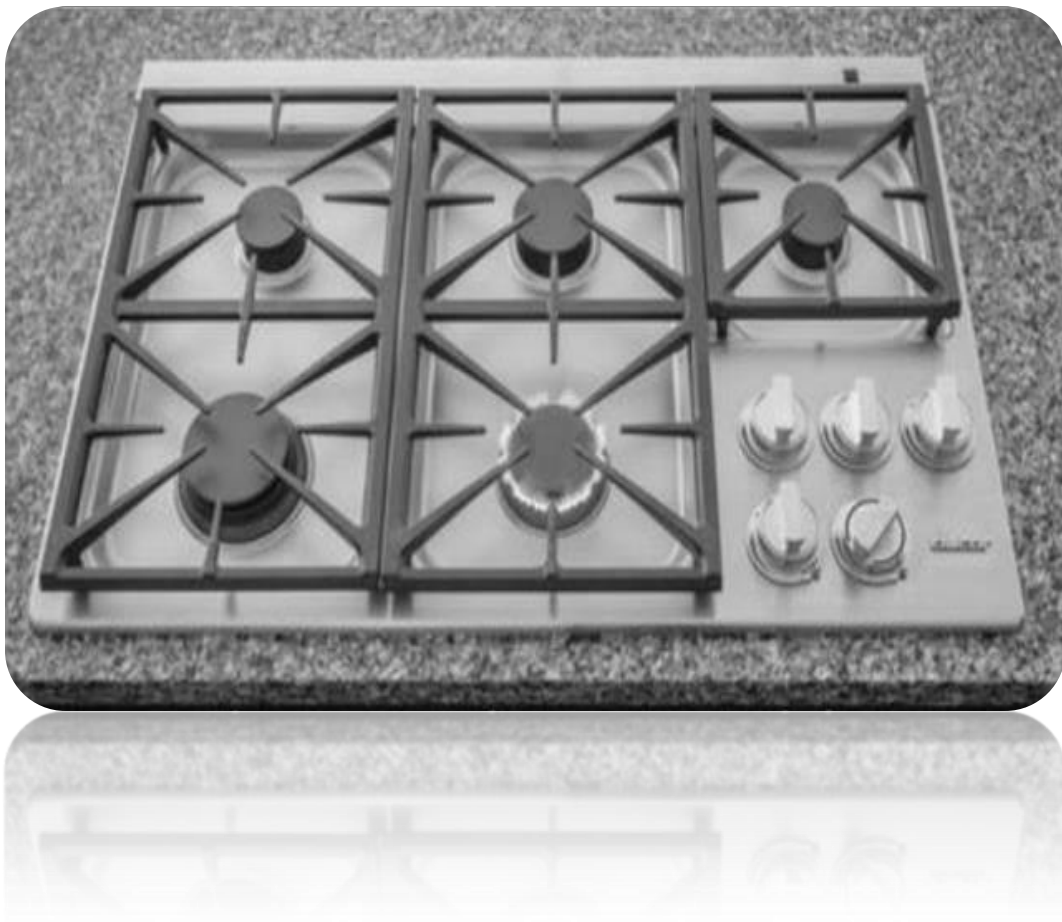


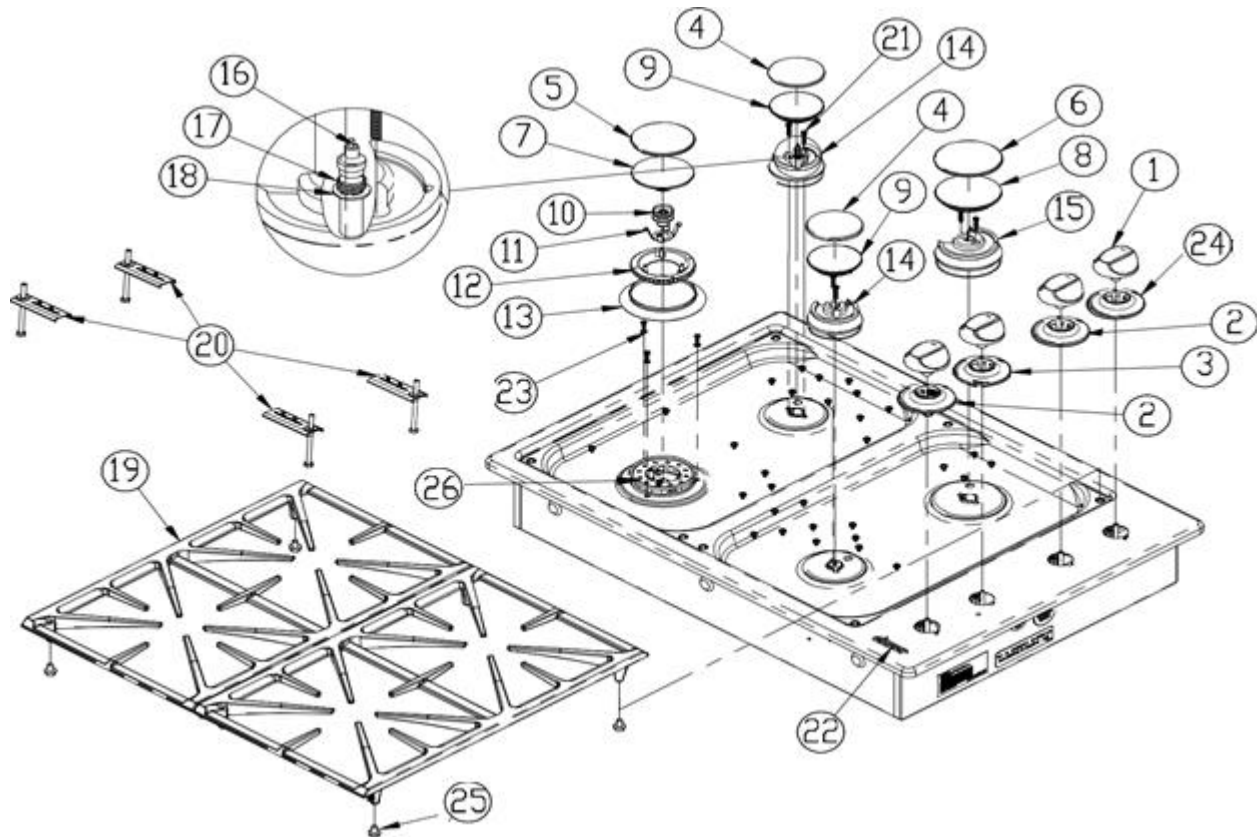
dacor

LET THE SHOW BEGIN

DYCT304



Top Frame Assembly



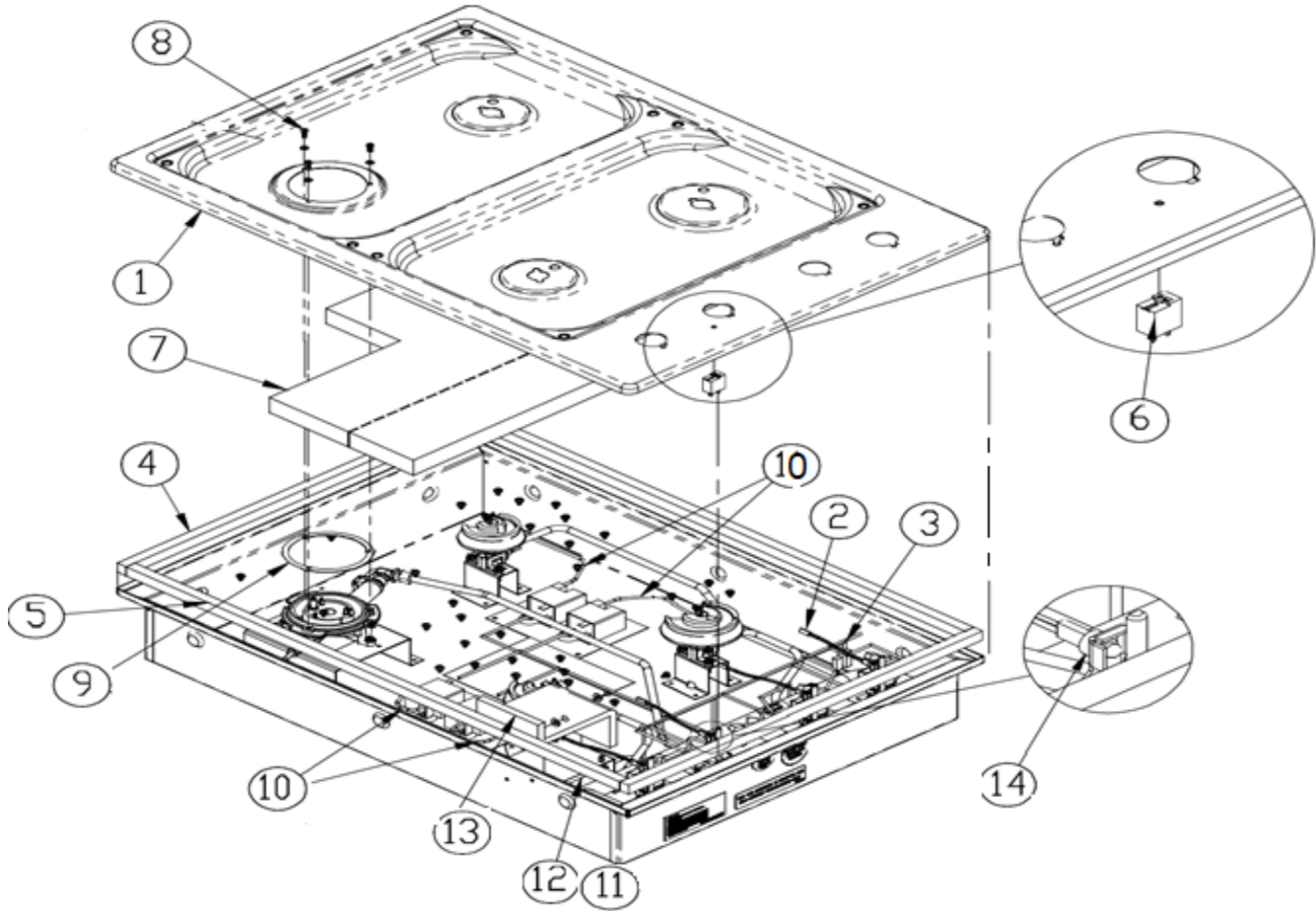
Item	Part #	Description
1	109321	Knob Assy.
2	108924-02	Spill Protector
3	108925-02	Spill Protector w/ Simmer
4	92235	Burner Head Cover
5	92231	Top Cap Cover, C-Dual
6	92236	Burner Head Cover
7	92460	Top Cap Flat, C-Dual
8	103737	Burner Head, C-Single
9	103735	Burner Head, B-Single
10	103801	Inner Burner Base, C-Dual
11	103748	Retaining Clip, C-Dual
12	103736	Burner Head, C-Dual
13	92459	Cross Ring Skirt, C-Dual

Item	Part #	Description
14	700174	Burner Base Assy, B-Single
15	700175	Burner Base Assy, C-Single
16	100325 ¹	Electrode (igniter) ¹
17	66976 ¹	Spring ¹
18	66960 ¹	Retaining Ring ¹
19	108900	12" Double Grate
20	12269	Kit, Hold Down Brackets
21	83716	Screw, Torx, Pan Head
22	110166	Dacor Logo
23	83707	Screw, Torx, Pan Head
24	108924-03	Spill Protector
25	66916 ²	Grate Support Pad, Kit ²
26	92388	Cross Ring, C-Burner

¹Order as kit part # 700207, contains one electrode, one spring and one retaining ring.

²Kit part # 66916 contains four pads.

Upper Assembly



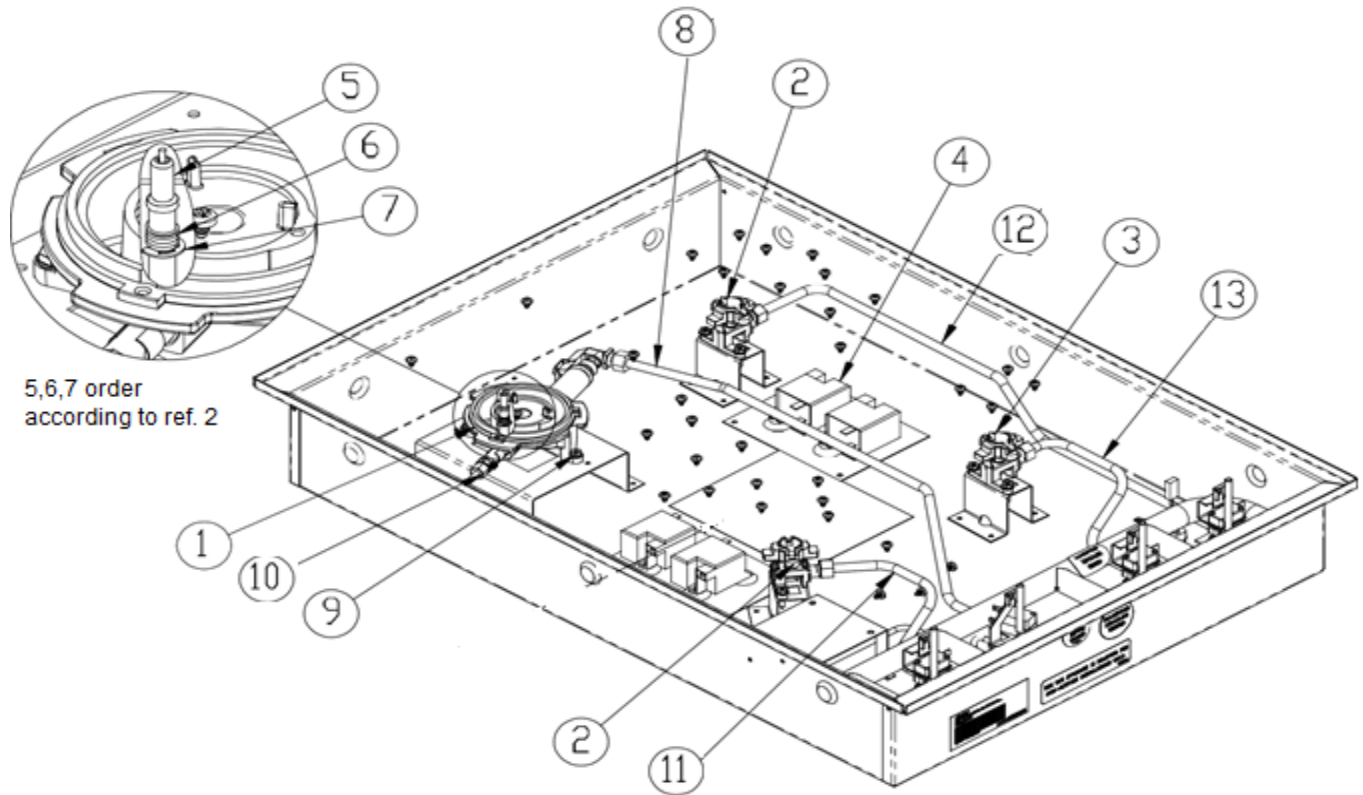
Item	Part # DYCT304S	Part # DYCT304B	Description
1	46324S ¹	46152BP ¹	Top Frame, Service Kit ¹
2	701613/701614	701613/701614	LED Assembly Kit
3	1037923	1037923	Wire Harness
4	92310-001	92310-001	Foam Gasket
5	92310-002	92310-002	Foam Gasket
6	62036	62036	Blue Indicator Light (simmer)
7		81609	Igniter Insulation, Right
8	83707	83707	Screw, Torx Pan Head

Item	Part # DYCT304S	Part # DYCT304B	Description
9	92308	92308	Graphite Gasket, C-Dual
10	76001	76001	Igniter Wires (set of 4)
11	106104	106104	LED Isolator Board
12	83538	83538	Support, Nylon PCB
13		83001	Screw, Phil HD, #8 x 1/4
14	103757	103757	Retaining Ring, LED

¹Top frame kits shown include top frame with logo, one dual burner gasket , three single burner O-rings and three screws.



Spark System/Burners and Tubes

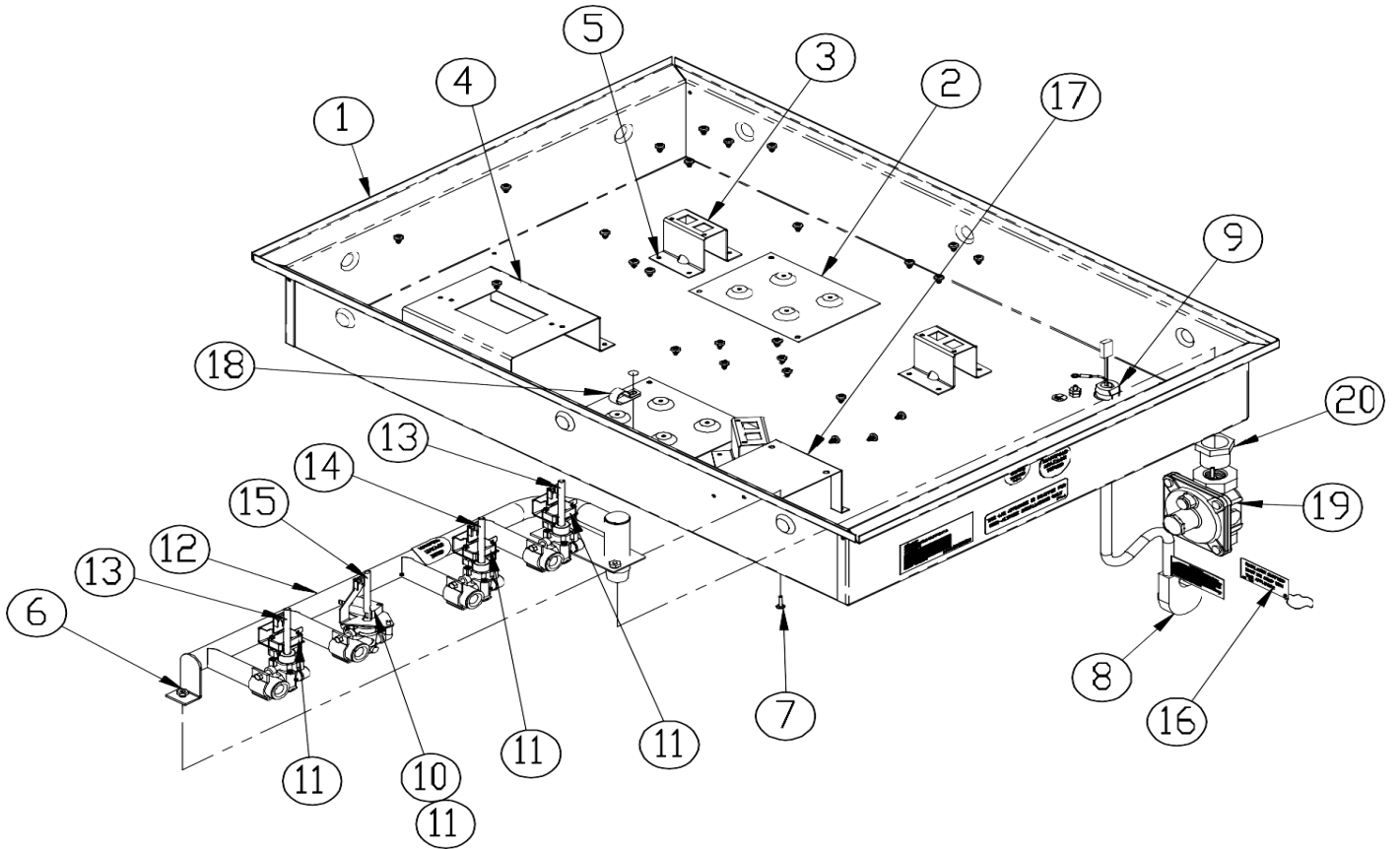


Item	Part # NG	Part # LP	Part # NGH	Part # LPH	Description
1	103743-01 ¹	103743-02 ¹	103743-03 ¹	103743-04 ¹	Base, Burner, Dual ¹
2	72806NG	72806LP	72806NGH	72806LPH	Jet Holder B Single
3	72809NG	72809LP	72809NGH	72809LPH	Jet Holder C Single
4	72634	72634	72634	72634	Spark Module
5	92237 ²	92237 ²	92237 ²	92237 ²	Igniter, Dual Burner ²
6	92238 ²	92238 ²	92238 ²	92238 ²	Spring, Dual Igniter ²
7	66960 ²	66960 ²	66960 ²	66960 ²	Retaining Ring, Single/Dual ²
8	83700	83700	83700	83700	Screw, Phil, #10 x 3/4"
9	108565	108565	108565	108565	Assy, Burner Tube, LF
10	107145	107145	107145	107145	Assy, Burner Tube, LF, Simmer
11	108564	108564	108564	108564	Assy, Burner Tube, RF
12	108565	108565	108565	108565	Assy, Burner Tube, LR
13	108564	108564	108564	108564	Assy, Burner Tube, RR

¹ Includes igniter.

² Must order complete kit (pn 76245). Kit includes one igniter, one spring and one retaining ring.

Chassis Assembly



Item	Part #	Description
1	46121	Chassis
2	46297	Igniter Mounting Plate
3	46319	Single Support Channel
4	46286	Dual Support Channel
5	83001	Screw, Phil HD, #8 x 1/4"
6	83048	Nut, Hex, Keps, #8-32
7	83572	Screw, Phil, #8-32 x 1/2"
8	72765	Power Supply Cord
9	83141	Bushing, Strain Relief
10	66987	Mirco-switch "NC"
11	66986	Mirco-switch "NO"
12	701422-01	Assy Manifold w/ Valves NG
	701422-02	Assy Manifold w/ Valves LP

Item	Part #	Description
12	701422-03	Assy Manifold w/ Valves NGH
	701422-04	Assy Manifold w/ Valves LPH
13	66953NG/NGH/LP/LPH	Single Valve, B-Burner
14	66971NG/NGH/LP/LPH	Single Valve, C-Burner
15	66033NG/NGH/LP/LPH	Dual Valve, C-Burner
16	85047	Regulator Tag
17	104165	Bracket Isolation Board
18	82400	Cable Clamp
19	72980	10" Regulator, LP
	62834	5/10" Regulator, NG
20	83458	Reducer Bushing

