

The Dacor logo is rendered in a bold, italicized, sans-serif font with a metallic, 3D effect. The letters are dark with a lighter, reflective highlight on the top and left sides, giving it a sleek, modern appearance. A registered trademark symbol (®) is located to the right of the logo.

dacor®

The Life of the Kitchen.®

A photograph of a Dacor DWD30 warming drawer is shown in a faded, light gray background. The drawer is a stainless steel unit with a glass front door, integrated into a kitchen countertop. It is positioned between a gas cooktop and a sink. The cooktop has a white bowl on it, and the sink has a blue dish rack. The overall scene is a typical kitchen setting.

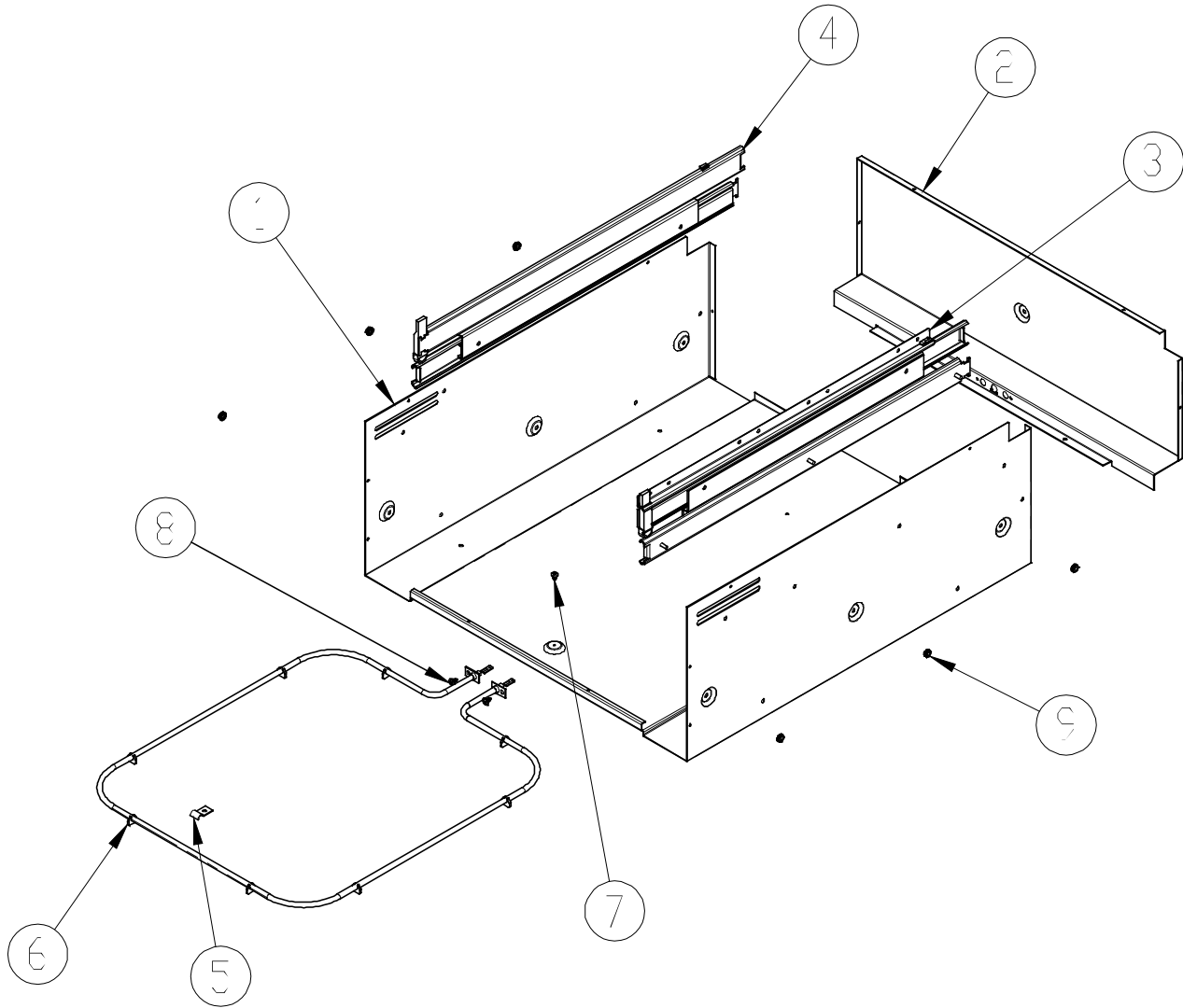
PARTS CATALOG

DWD30 Warming Drawer

| Page | Description |
|-------------|------------------------------|
| 2 | Chassis Wrap Assembly |
| 3 | Chassis Assembly |
| 4 | Chassis Parts |
| 5 | Drawer Assembly |

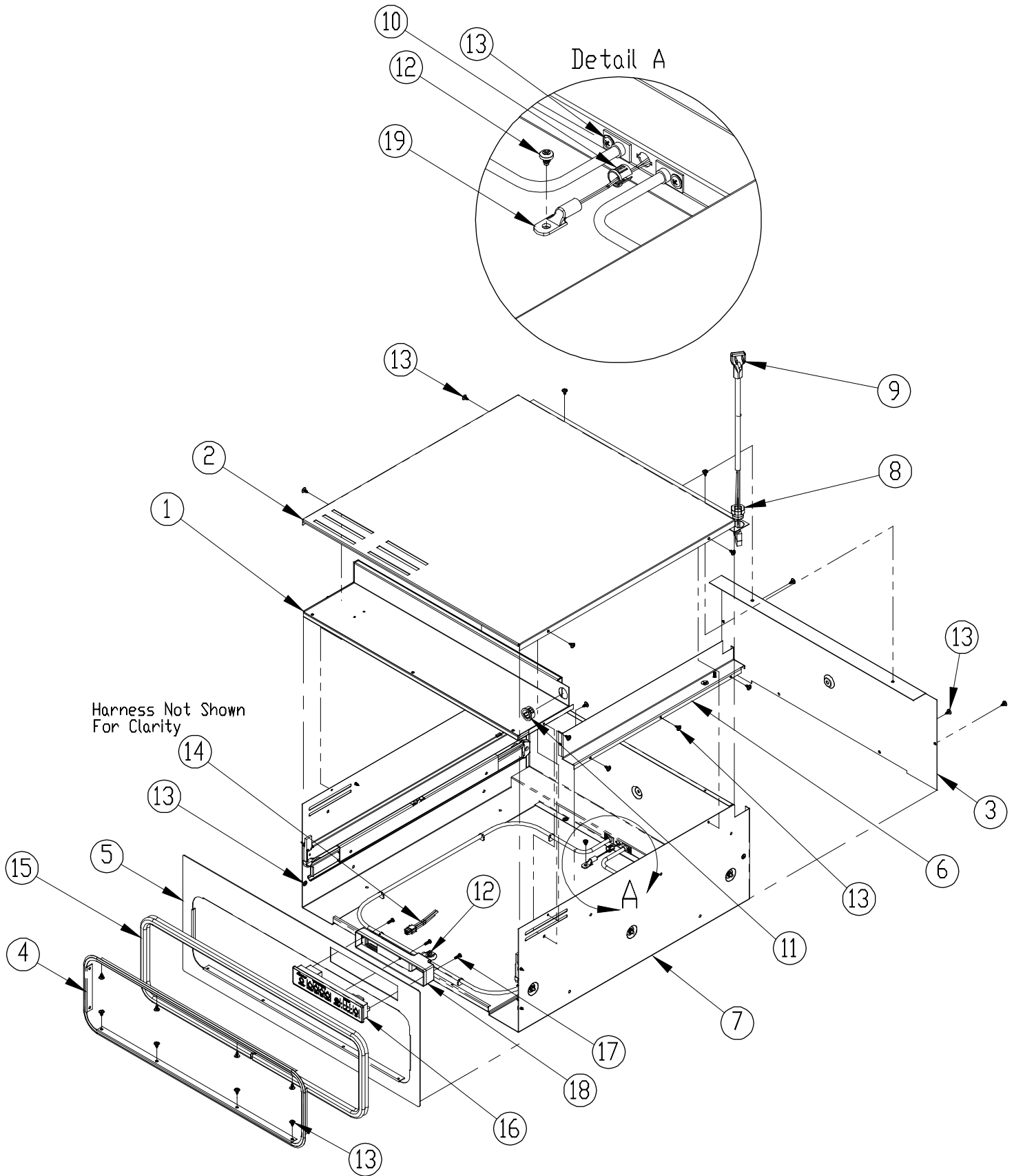
Revised 04-16-2015

DWD30 - Chassis Wrap Assembly



| Item | Description | Part # |
|------|---------------------------|-----------------------|
| 1 | Wrap, Chassis | 101883-03 |
| 2 | Rear Partition | 101881-03 |
| 3 | Slide Rail Set, RH | 72737 |
| 4 | Slide Rail Set, LH | (includes both rails) |
| 5 | Element Hold Down Clip | 102321 |
| 6 | Heating Element | 101651 |
| 7 | Screw, Phil HD, #8 x 1/4" | 83001 |
| 8 | Screw, Phil HD, #8 x 3/8" | 83263 |
| 9 | Nut, Hex Keps #8-32 | 83048 |

DWD30 - Chassis Assembly



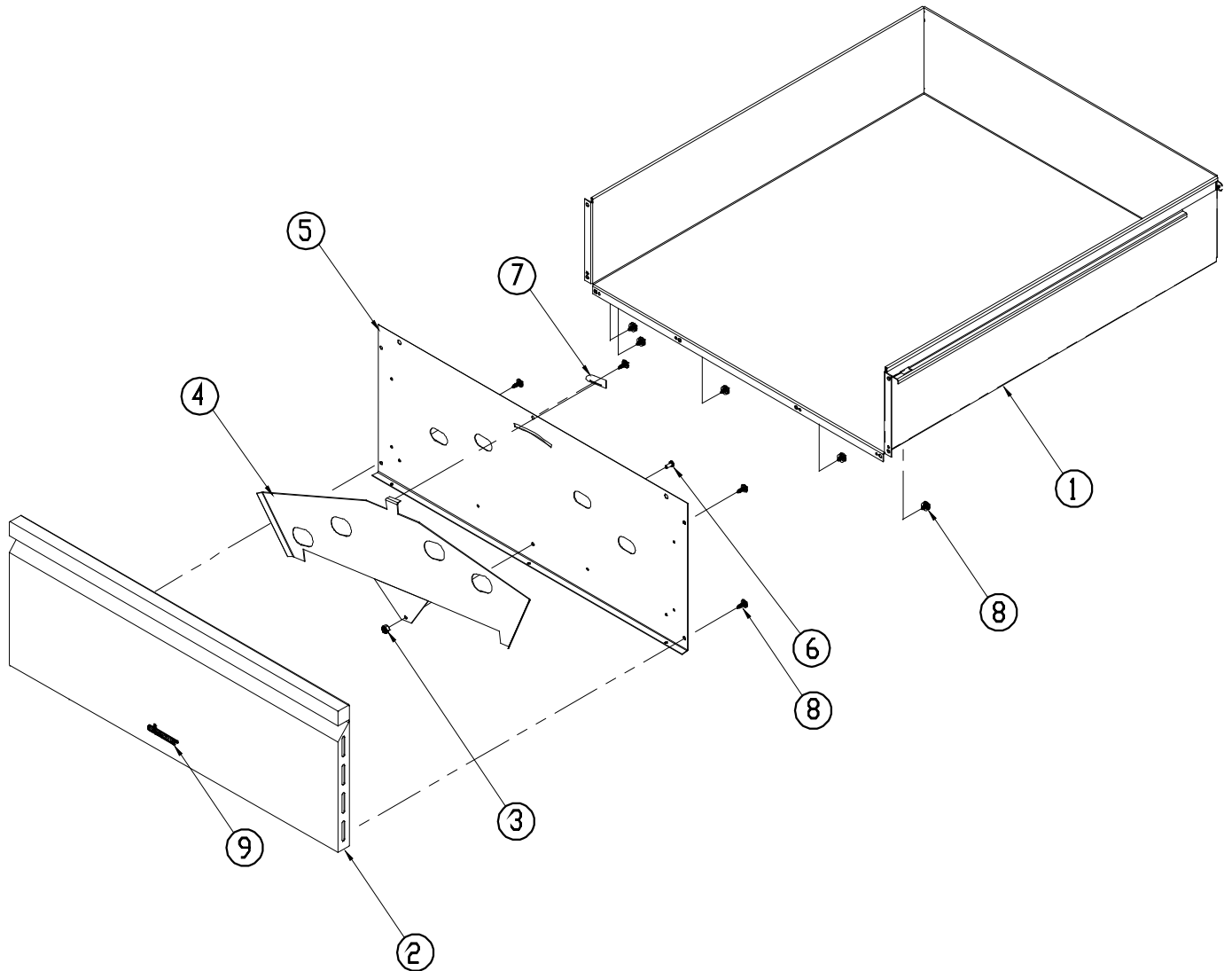
DWD30 - Chassis Parts

| Item | Description | Part # |
|-----------|---------------------------------|-------------------------|
| 1 | Assy, Channel Control | 700738-03 |
| 2 | Top Cover | 101882-03 |
| 3 | Cover, Rear | 102657-03 |
| 4 | Frame Gasket | 102445 ² |
| 5 | Front Frame Panel | 101879-03B ² |
| 6 | Electric Chase Weld | 700877 |
| 7 | Assy, Chassis Wrap | 700591-03 |
| 8 | Strain Relief Bushing | 83141 |
| 9 | Power Supply Cord | 72765 |
| 10 | 3/8" Bushing Hole | 83532 |
| 11 | Bushing, Heyco | 83056 |
| 12 | Screw, Phil HD, #8 x 1/4" | 83001 |
| 13 | Screw, Phil HD, #8 x 3/8" | 83263 ² |
| 14 | Wire Harness (Not Shown) | 102347 |
| - | Hi-Limit Thermostat (Not Shown) | 106613 |
| 15 | Drawer Gasket | 101649 ² |
| 16 | Control Unit w/Overlay | 101645 ³ |
| 17 | Screw, 6-19 x 1/2", Plastite | 102499 ³ |
| 18 | Cover, Control Unit | 101610 ³ |
| 19 | Thermistor | 102472 |

¹Kit PN 701119-03 includes frame gasket, front frame panel, drawer gasket and 8 screws.

²Kit PN 701120 includes control unit, control unit cover and 3 screws.

DWD30 - Drawer Assembly



| Item | Description | Part # |
|--|--------------------------|------------------------|
| 1 | Drawer Wrap | 701121-03 ¹ |
| 2 | Door Skin Assy, w/ Logo | 701580 ² |
| 3 | Nut, Nylon, #8-32 | 106078 |
| 4 | Moist/Crisp Slide | 36454 |
| 5 | Panel, Door Backing | 105692 |
| 6 | Screw, #8-32 x .375 | 83358 |
| 7 | Knob, Damper-Black | 82415B |
| 8 | Screw, Wfr HD, #8 x 3/8" | 83708 |
| 9 | Dacor Logo | 72510CH |
| ¹ PN 701121-03 includes 2 rivets, both rails and drawer wrap. | | |
| ² PN 701580 includes door front and Dacor logo. | | |