



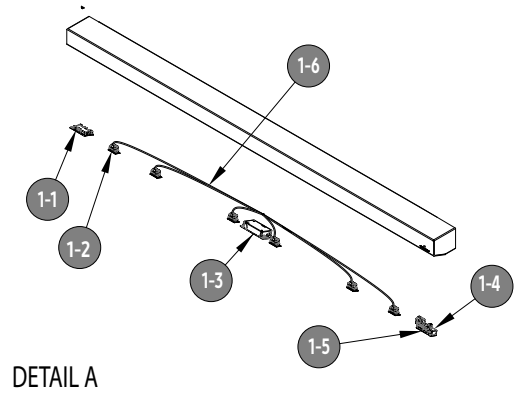
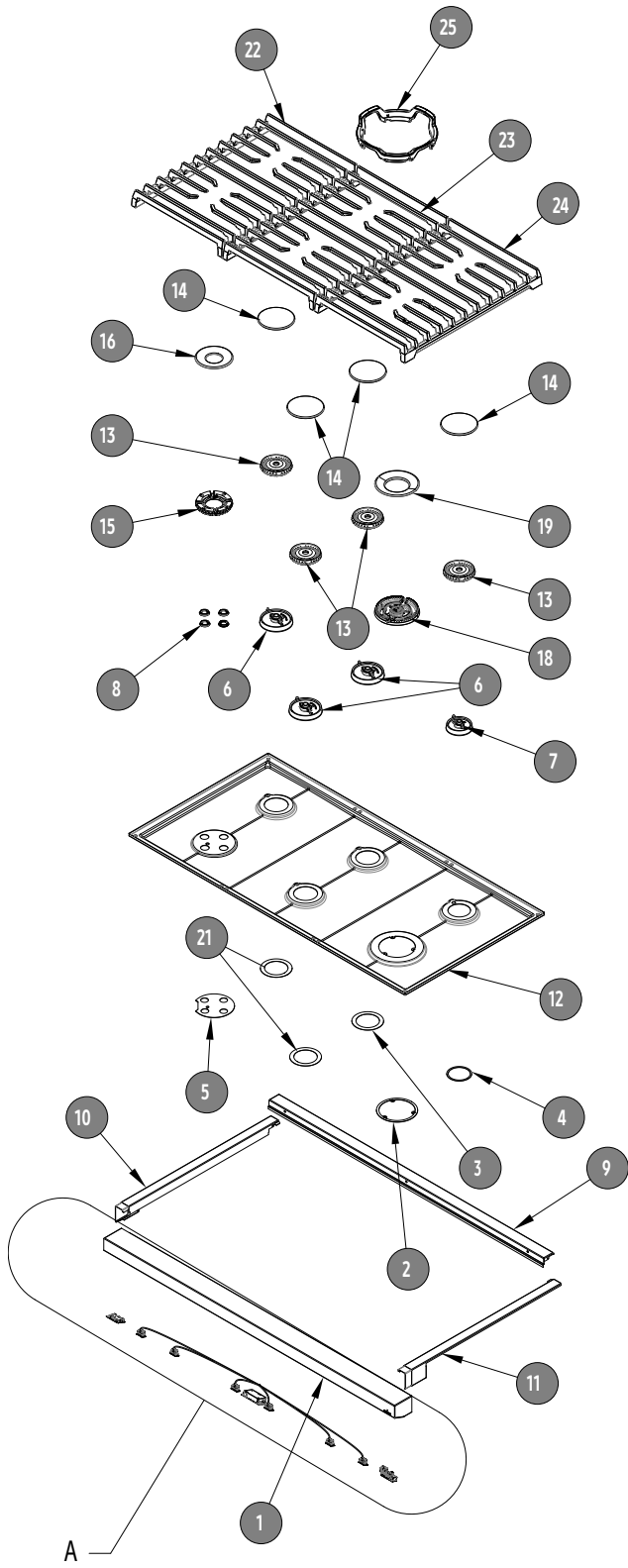
LET THE SHOW BEGIN

PARTS CATALOG

DTT48M876* Cooktop

Assembly Drawings and Parts Lists	
Click Page	Description
2	Sub-Cooktop Cooktop/ Spill Tray Assembly
4	Sub-Cooktop & Parts List
6	Burner/Support 16k CF Assembly and Parts List
7	Burner/Support 16k CR Assembly and Parts List
8	Control Panel (Parts List)

DTT48M876*: Sub-Cook Top and Spill Tray Assembly

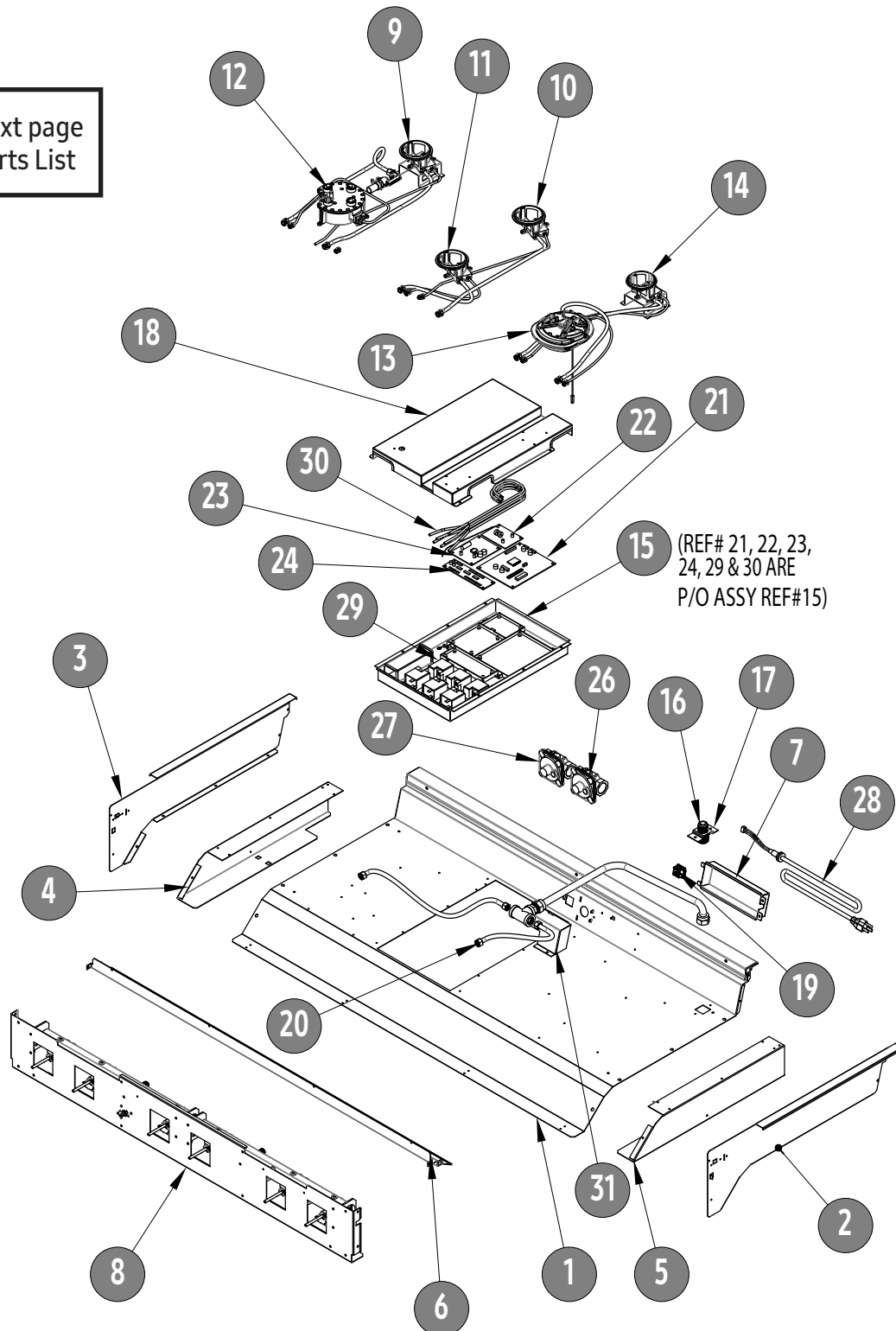


DTT48M876*: Sub-Cook Top and Spill Tray Assembly, Parts List

Item	P/N	Description	Item	P/N	Description
1	703641	Assy, Front Frame, Bullnose, 48" Silver	11	702973-02FAH	Weld, Trim, Side, Right FAH
	703641B	Assy, Front Frame, bullnose, Graphite		702973-02B	Weld, Trim, Side, BLK, Left
1-1	110626	Holder PCB, Bluetooth	12	113976BP	Spill Tray, BP, 48"
1-2	110630	Shower Lighting	13	101547	Ring, Burner, 16k
1-3	114131	Holder PCB Wi-Fi	14	110562-02	Burner Cap, 16k BLK Porc.
1-4	110628	Holder PCB	15	700028	Burner Ring Dual, 18k
1-5	110631	Cover Button	16	110561-02	Burner Cap, 18k BLK PORC.
1-6	115101	Wire Harness, DC	17	110563	Burner Base Dual, 18k
2	112043	Gasket, BRNR Base 22k	18	112041	Ring, Burner, 22k
3	112044	Gasket, 16k (DIA 94mm)	19	110430-02	Outer Cap, Burner, 22k
4	700145	Gasket, 9k, (DIA 74mm)	20	110431-02	Inner Cap, Burner, 22k
5	700145	Gasket, Dual Burner, Graphite	21	112044	Gasket, 16k (DIA 94mm)
6	112089	Assy, Base, 16k, PYRAL	22	113977	Grate, Left, 48"
7	120090	Assy, Base 8.5. PYRAL	23	113978	Grate, Center, 48"
8	700017	Brass Ring M22 X 1	24	113979	Grate, Right, 48"
9	703072FAH	Weld, Trim, Rear, FAH, 48"	25	110235	Grate-Wok
	703072B	Trim, Rear, BLK, 48"			
10	702973-01FAH	Weld, Trim, Side, Left, FAH			
	702973-01B	Weld, Trim, Side, BLK, Left			

DTT48M876*: Sub-Cooktop Assembly

See next page
for Parts List



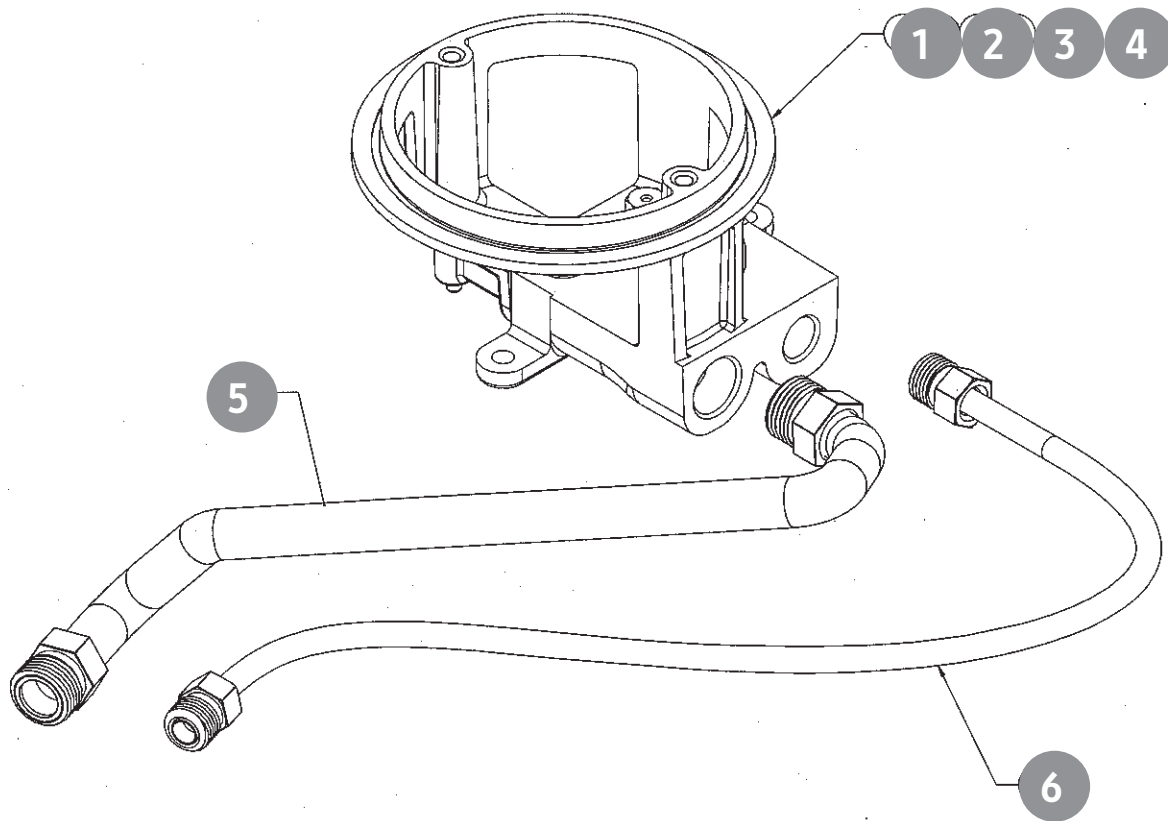
Return to Page 1

DTT48M876*: Sub-Cooktop Assembly (Parts List)

Item	P/N	Description	Item	P/N	Description
1	115037	Chassis, 48"	13	703086-01	Assy, Burner/Supp, CR, NG, 22k
2	110256	Support, Side, Right		703086-02	Assy, Burner/Supp, CR, LP, 22k
3	110255	Support, Side, Left		703086-03	Assy, Burner/Supp, CR, NGH, 22k
4	110260	Support, Lower, Left		703086-04	Assy, Burner/Supp, CR, LPH, 22k
5	110261	Support, Lower, Right	14	703083-01	Assy, Burner/Supp, CR, NG, 9k
6	115066	Channel, Spill Tray, 48"		703083-02	Assy, Burner/Supp, CR, LP, 9k
7	110542	Cover, Power Cord		703083-03	Assy, Burner/Supp, CR, NGH, 9k
8	703637-01	Assy, Sub-Panel, NG, NGH		703083-04	Assy, Burner/Supp, CR, LPH, 9k
	703637-02	Assy, Sub-Panel, LP, LPH	15	703775	Assy, Elect. Part & Tray
	703637-03	Assy, Sub-Panel, NGH	16	100760	Regulator, Adapter
	703637-04	Assy, Sub-Panel, LPH	17	101675	Bracket, Adapter
9	703082-01	Assy, Burner/Supp, LR, NG, 16k	18	115035	Cover, PCB Main
	703082-02	Assy, Burner/Supp, LR, LP, 16k	19	112042	Covr, Wire (HASS)
	703082-03	Assy, Burner/Supp, LR, NGH, 16k	20	703002	Assy, Tubing, Inlet
	703082-04	Assy, Burner/Supp, LR, LPH, 16k	21	112039	LCD, Sub, PBA, Relay Board
10	703085-01	Assy, Burner/Supp, LF, NG, 18k	22	112037	Coil, Filter, Noise
	703085-02	Assy, Burner/Supp, LF, LP, 18k	23	112227	Assy, Module, SMPS, Power
	703085-03	Assy, Burner/Supp, LF, NGH, 18k	24	112040	LED, Dimming, PBA, Board
	703085-04	Assy, Burner/Supp, LF, LPH, 18k	25	112124	Igniter, Wire Set 48"
11	703772-01	Assy, Burner/Supp, CF, NG, 16k	26	72980	Regulator, LP, 10" W.C. Maxitrol RV48CL
	703772-02	Assy, Burner/Supp, CF, LP, 16k	27	62834	5" W.C. REgulator, NG
	703772-03	Assy, Burner/Supp, CF, NGH, 16k	28	110335	Power Cord
	703772-04	enAssy, Burner/Supp, CF, LPH, 16k	29	72634	Re-Ignition Module
12	703778-01	Assy, Burner/Supp, CR, NG, 16k	30	112124	Wire, Ignitor Set, 48"
	703778-02	Assy, Burner/Supp, CR, LP, 16k	31	115057	Cover, Inside Power Cord
	703778-03	Assy, Burner/Supp, CR, NGH, 16k			
	703778-04	Assy, Burner/Supp, CR, LPH, 16k			

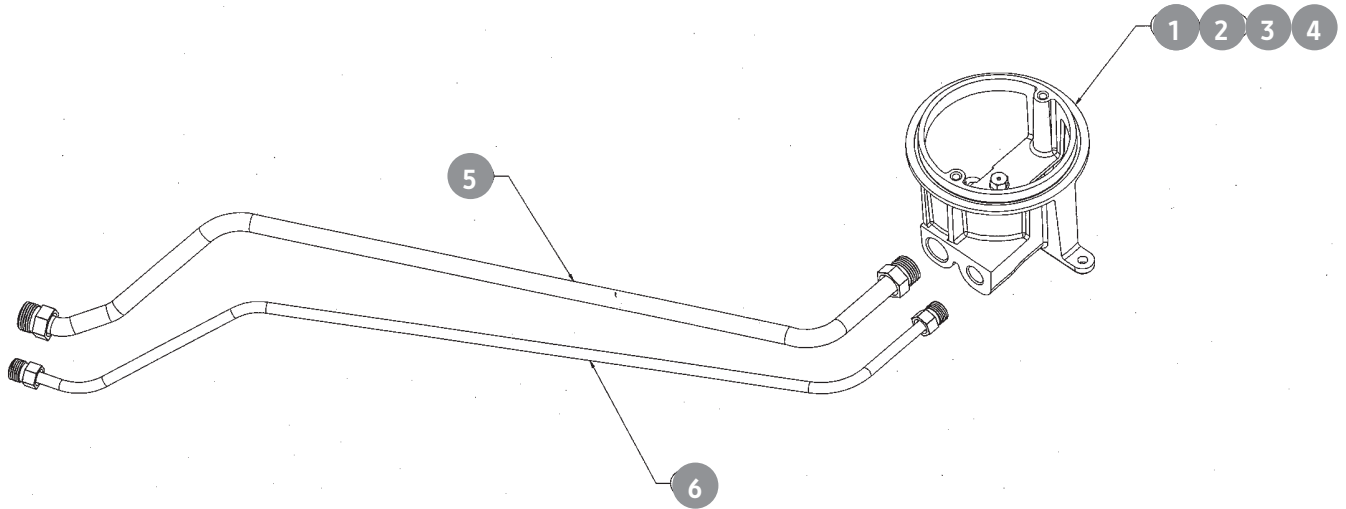
Return to Page 1

DTT48M876*: Burner/Support 16k CF Assembly and Parts List



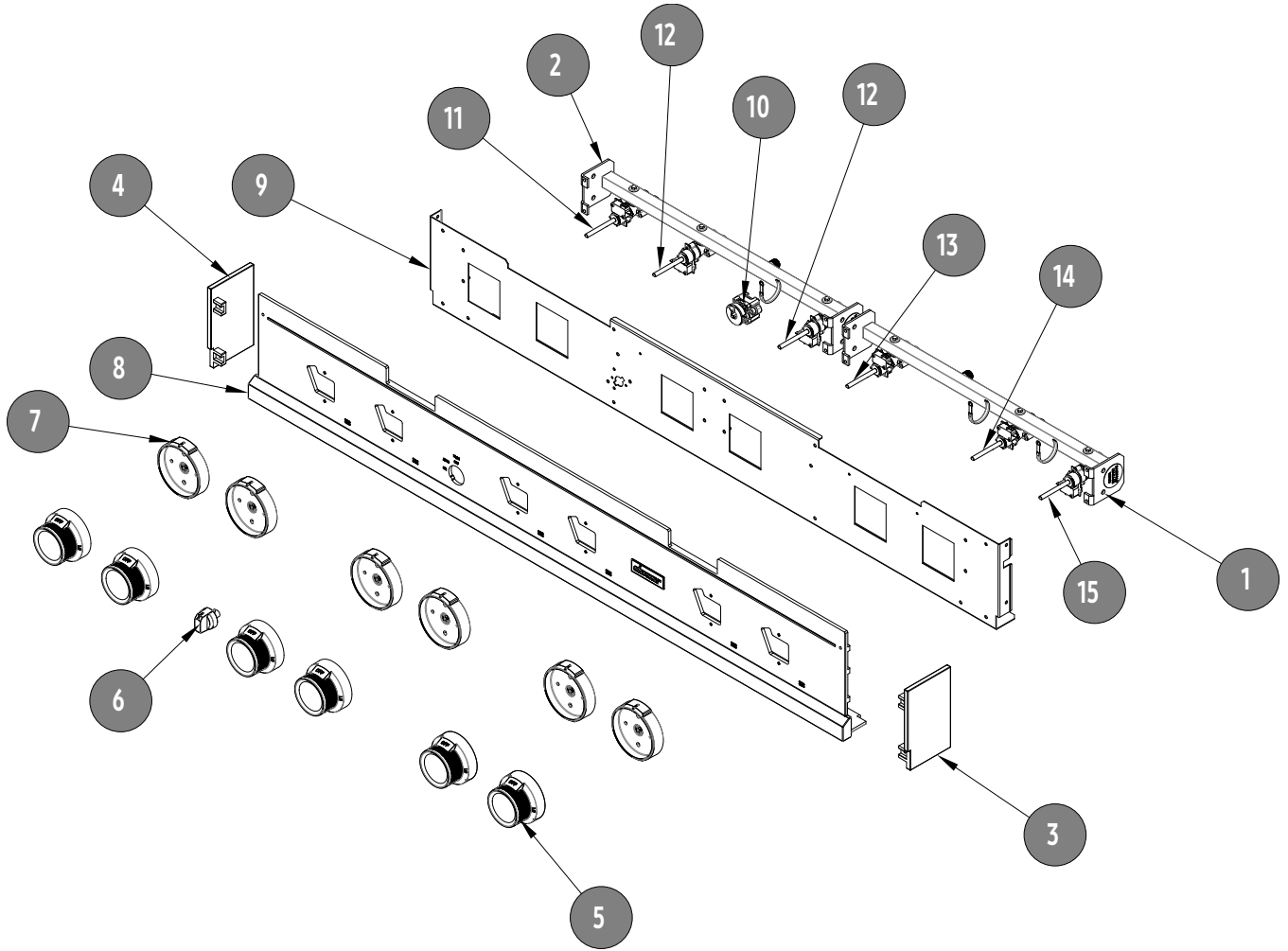
Item	P/N	Description
1	703071-01	Assy, Injector Holder, 16K NG
2	700348	Assy, Injector Holder, 16K LP
3	703071-03	Assy, Injector Holder, 9k NG-H
4	703071-04	Assy, Injector Holder, 10K LP-H
5	100579	S.S. Flex tubing 5/16 x 18, M/M
6	100900	Flex Tube, 3/16" OD MM-16

DTT48M876*: Burner/Support CR16k Assembly and Parts List



Item	P/N	Description
1	703071-01	Assy, Injector Holder, 16K NG
2	700348	Assy, Injector Holder, 16K LP
3	703071-03	Assy, Injector Holder, 9k NG-H
4	703071-04	Assy, Injector Holder, 10K LP-H
5	100579	S.S. Flex tubing 5/16 x 18, M/M
6	100900	Flex Tube, 3/16" OD MM-16

DTT48M876*: Control Panel Assembly



DTT48M876*: xxxx Assembly

Item	P/N	Description	Item	P/N	Description
1	703635-01	Assy, Manifold, RT, NG/NGH	9	703636	Assy, Stud, Sub-Panel
	703635-02	Assy, Manifold, RT, LP	10	110632	Assy, Light, Switch
	703635-03	Assy, Manifold		11	702863-19
2	703634-01	Assy, Manifold, LF, NG	702863-07		Assy, Valve, SP/BTM, NG, 18k
	703634-02	Assy, Manifold, LF, LP	702863		Assy, Valve, SP/BTM, NG, NGH
	703634-03	Assy, Manifold, LF, NGH	702863-15		Assy, Valve, SP/BTM, LP, 18k
	703634-04	Assy, Manifold, LF, LPH	12	702863-12	Assy, Valve, SP/TOP, LP, 16k
3	110605	Trim, Side, Cont, PNL, Right		702863-21	Assy, Valve, SP/TOP, NG/H, 16k
	702973-02B	Trim, Side, BLK, Right		702863	Assy, Valve, SP/TOP, LP/H, 16k
4	110603	Trim, Side, Cont, PNL, Right		702863-04	Assy, Valve, SP/TOP, NG, 16k
	702973-02B	Trim, Side, BLK, Left	13	702863-24	Assy, Valve, SP/BTM, 16k, NG/H
5	110622	Assy, Knob, Burner, Silver		702863-11	Assy, Valve, SP/BTM, 16k, LP
	110623	Assy, Knob, Burner, BLK		702863	Assy, Valve, SP/BTM, 16k, LP/H
6	110592	Mini Knob-Cap, Silver		702863-03	Assy, Valve, SP/BTM, 16k NG
	110593	Mini Knob-Cap, BLK	14	702863-20	Assy, Valve, SP/BTM, 9k, NG/H
7	110618	Assy, Knob Holder, Burner, Silver		702863-09	Assy, Valve, SP/BTM, 9k LP
	110619	Assy, Knob Holder, Burner, BLK		702863	Assy, Valve, SP/BTM, 9k, LP/H
8	113982	Panel, Control, 48", Silver		702863-01	Assy, Valve, SP/BTM, 9k, NGH
	113982B	Panel, Control, 48", BLK	15	702863-23	Assy, Valve, SP/TOP, 22k, NG
		702863-14		Assy, Valve, SP/TOP, 22k, LP	
		702863		Assy, Valve, SP/TOP, 22k, LP/H	
		702863-06		Assy, Valve, SP/TOP, 22k, NG	

[Return to Page 1](#)