

# **dacor**®

The Life of the Kitchen.®

## **PARTS CATALOG**

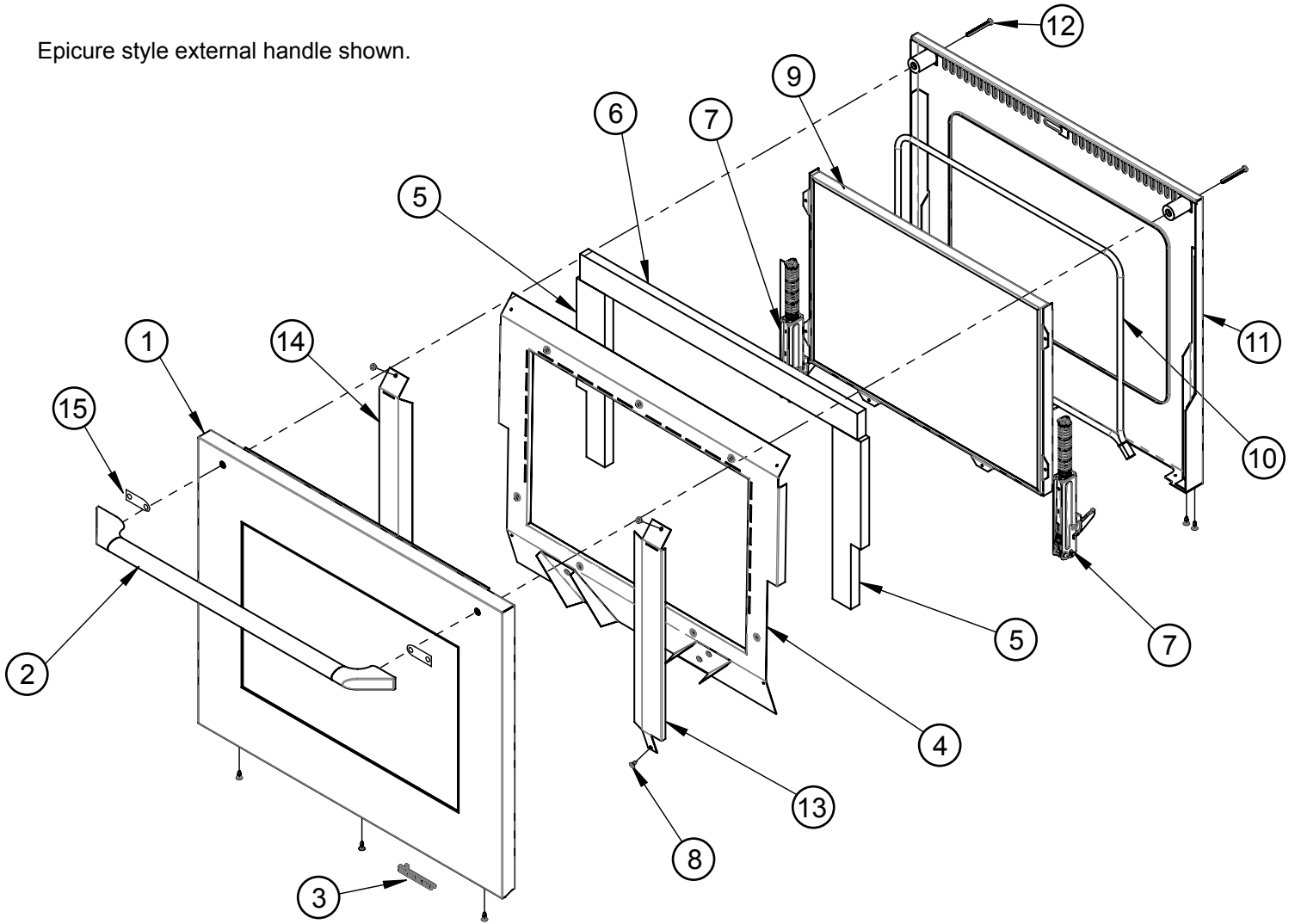
### **DT0127 Wall Oven**

<b>Page #</b>	<b>Description</b>
<b>2</b>	<b>Door Assembly</b>
<b>3</b>	<b>Door Parts</b>
<b>4</b>	<b>Chassis Assembly</b>
<b>5</b>	<b>Chassis Parts</b>
<b>6</b>	<b>Control Panel</b>
<b>7</b>	<b>Sub-Chassis Electrical Components</b>
<b>8</b>	<b>Oven Cell Components</b>
<b>9</b>	<b>Miscellaneous Components</b>

Revised 12-11-2014

# DT0127 Wall Oven Door Assembly

Epicure style external handle shown.



# DT0127 Wall Oven Door Parts

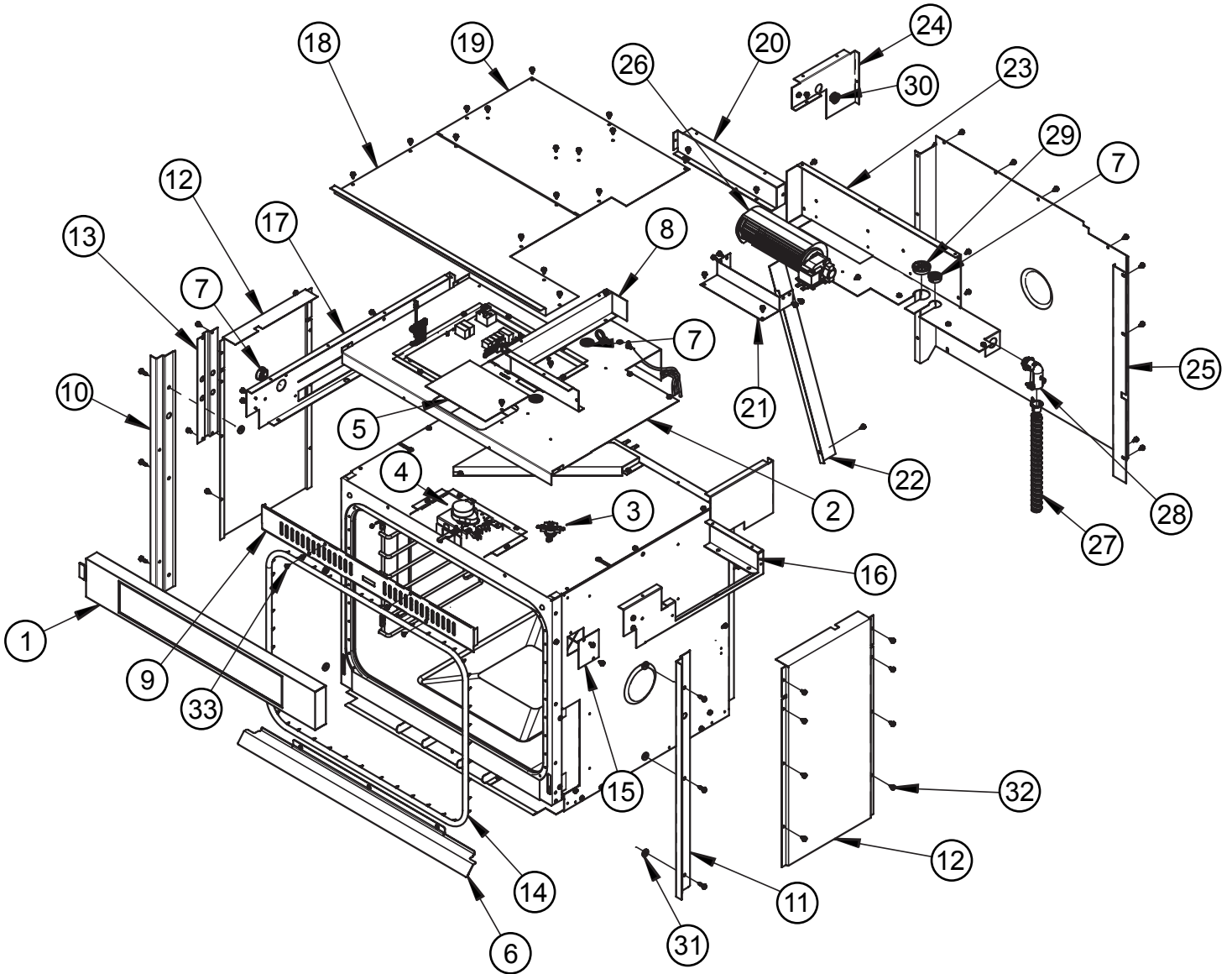
Item	Part #	Description
	701945-01	COMPLETE DOOR ASSEMBLY, DTO127B
	701933-01	COMPLETE DOOR ASSEMBLY, DTO127FS
	701813-01	COMPLETE DOOR ASSEMBLY, DTO127S
	701945-11	COMPLETE DOOR ASSEMBLY, DTO127W
	701945-05	COMPLETE DOOR ASSEMBLY, DTOV127B
<b>1</b>	701944-01	ASSEMBLY, DOOR SKIN, DTO127B
	701932	ASSEMBLY, DOOR SKIN, DTO127FS
	701815	ASSEMBLY, DOOR SKIN, DTO127S
	701944-05	ASSEMBLY, DOOR SKIN, DTO127W
	701944-03	ASSEMBLY, DOOR SKIN, DTOV127B
<b>2</b>	13659-002	ASSEMBLY, DOOR HANDLE, STAINLESS
	13659-020	ASSEMBLY, DOOR HANDLE, BLACK
	13659-022	ASSEMBLY, DOOR HANDLE, WHITE
	72935-01	ASSEMBLY, DOOR HANDLE, MILLENNIA
<b>3</b>	72510CH	LOGO, DACOR, 3", CHROME
<b>4</b>	107648B	HEAT SHIELD
<b>5</b>	105353	INSULATION, SIDE DOOR
<b>6</b>	107482	INSULATION, TOP DOOR
<b>7</b>	107509	HINGE SPRING, DTO127[F]S
	108008	HINGE SPRING, DTO127B, DTO127W
	108760	HINGE SPRING, DTOV127B

Item	Part #	Description
<b>8</b>	83263	SCREW, PHIL TRS, #8 X 3/8, BLACK
<b>9</b>	72967	WINDOW PACK
<b>10</b>	100157	GASKET, WINDOW PACK
<b>11</b>	701827-01 <sup>1</sup>	ASSEMBLY, DOOR LINER, DTO127S
	701827-02 <sup>1</sup>	ASSEMBLY, DOOR LINER, DTO127FS
	701827-05 <sup>1</sup>	ASSEMBLY, DOOR LINER, DTO127B, DTO127W
	701827-06 <sup>1</sup>	ASSEMBLY, DOOR LINER, DTOV127B
	701875-03BP <sup>2</sup>	DOOR LINER <sup>2</sup>
<b>12</b>	100026	SCREW, HANDLE, EPICURE
	83688	SCREW, HANDLE, MILLENNIA
<b>13</b>	108040-02	HINGE BRACKET COVER, RIGHT
<b>14</b>	108040-01	HINGE BRACKET COVER, LEFT
<b>15</b>	92008	SPACER, DOOR HANDLE

<sup>1</sup> Pre-assembled, includes door liner, window pack with gasket, hinges, hinge covers, all insulation, heat shields and air deflectors.

<sup>2</sup> Door liner alone.

# DT0127 Wall Oven Chassis Assembly



See page 7 for wiring harness.

# DTO127 Wall Oven Chassis Parts

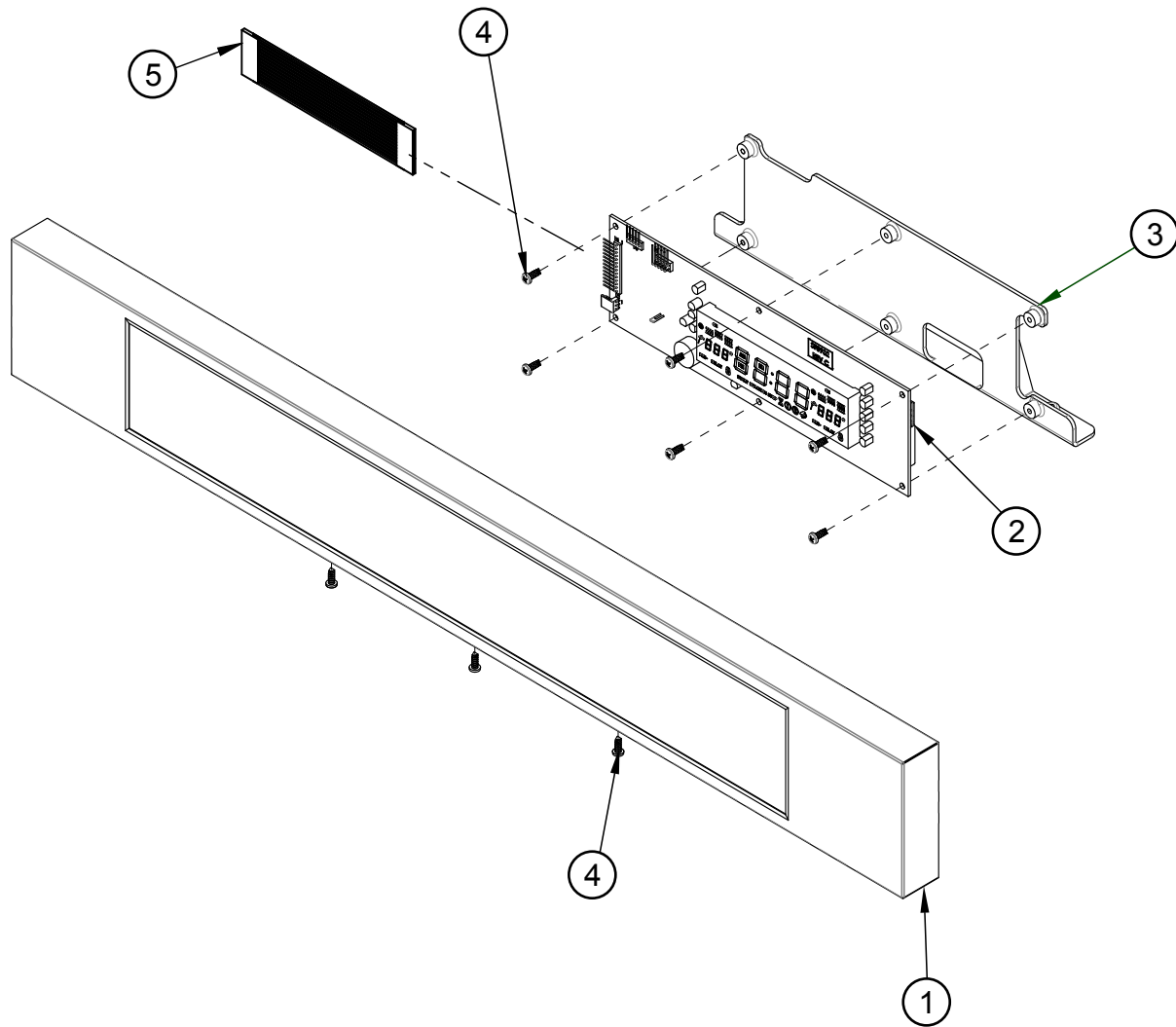
Item	Part #	Description
<b>1</b> <sup>1</sup>	-	ASSY, BEZEL/CAPACITIVE TOUCH <sup>1</sup>
<b>2</b> <sup>2</sup>	-	SUB-CHASSIS <sup>2</sup>
<b>3</b>	92321	HIGH LIMIT SWITCH
<b>4</b>	100090	DOOR LATCH
<b>5</b>	105323	COVER, LATCH
<b>6</b>	108060-01B	EXHAUST GRILL, DTO[V]127B
	108060	EXHAUST GRILL, DTO127[F]S
	108060-01W	EXHAUST GRILL, DTO127W
<b>7</b>	92191-02	BUSHING, SPLIT 1.00"
<b>8</b>	108221	CONDUIT CORNER
<b>9</b>	107448B	INTAKE GRILL
<b>10</b>	107476-02B	TRIM POST, LEFT, BLACK
	107476-02W	TRIM POST, LEFT, WHITE
<b>11</b>	107476-01B	TRIM POST, RIGHT, BLACK
	107476-01W	TRIM POST, RIGHT, WHITE
<b>12</b>	105462	HEAT SHIELD, DUCT
<b>13</b>	105478	COVER, MEAT PROBE WIRE
<b>14</b>	108076	DOOR GASKET
<b>15</b>	105471	COVER, MEAT PROBE
<b>16</b>	107641	TOP RIGHT SIDE

Item	Part #	Description
<b>17</b>	107642	TOP LEFT SIDE
<b>18</b>	107444	SERVICE PANEL, TOP
<b>19</b>	107445	COVER, TOP REAR
<b>20</b>	108118	COOLING FAN FRONT COVER
<b>21</b>	108092	EXTENSION, COOLING
<b>22</b>	107676	DUCT, REAR
<b>23</b>	107425	TOP, REAR
<b>24</b>	108119	SIDE COVER, COOLING
<b>25</b>	107442	BACK COVER
<b>26</b>	82986	FAN, COOLING
<b>27</b>	26420	CONDUIT, 1/2" FLEX, CUT 60
<b>28</b>	82195	1/2" 90° SQUEEZE CONNECTOR
<b>29</b>	92191-03	BUSHING, SPLIT 1.375"
<b>30</b>	92191-01	BUSHING, SPLIT .75"
<b>31</b>	83555	FIBER WASHER
<b>32</b>	83023	SCREW, SLOT, HWH, #10 X 3/8
<b>33</b>	83263	SCREW, WASHER, HD. #8 X 3/8 (AB)

<sup>1</sup> See page 6 for individual components

<sup>2</sup> See page 7 for individual components

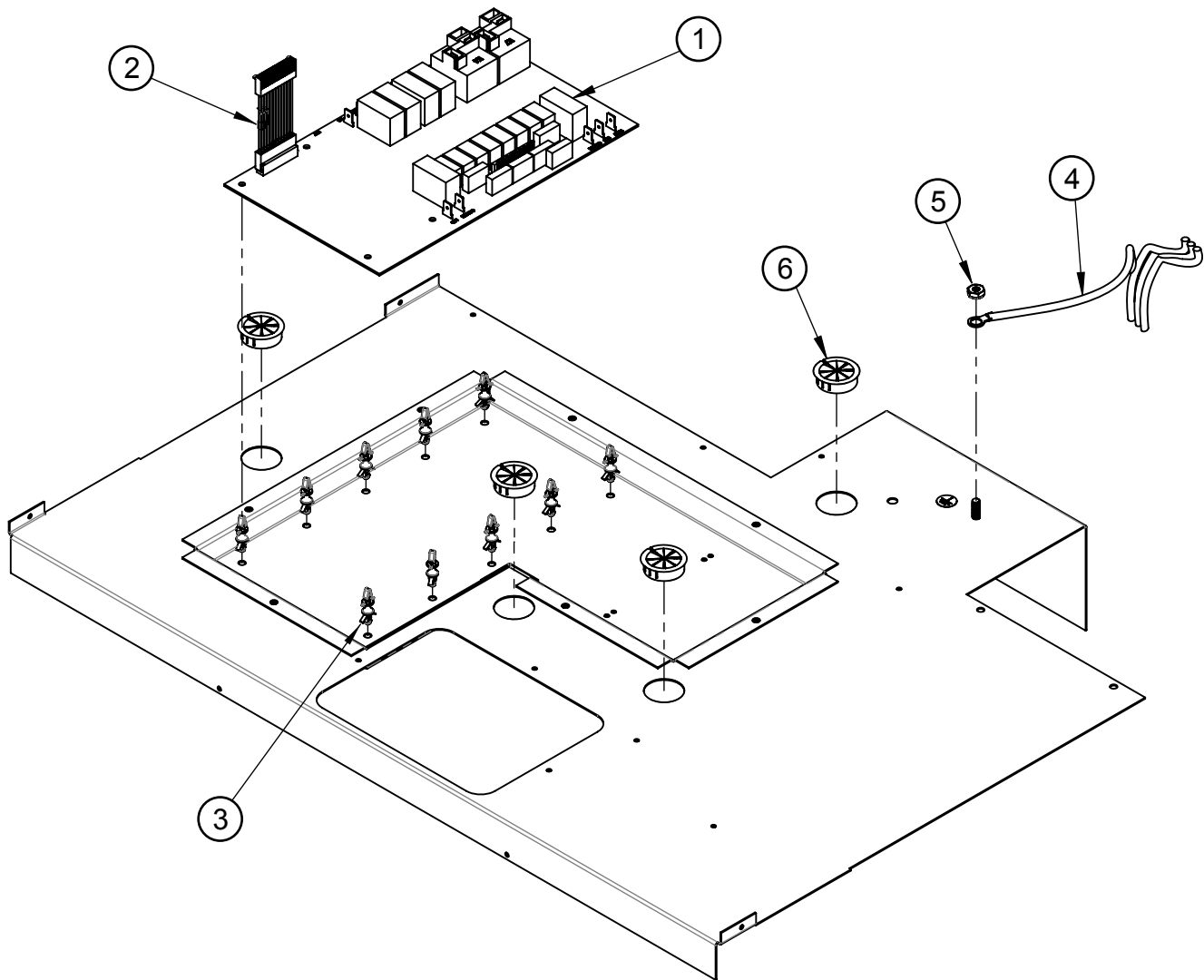
# DT0127 Wall Oven Control Panel Assembly



Item		Description
1	701941-01*	ASSEMBLY, BEZEL/CAPACITIVE TOUCH, DTO127B*
	702081-01*	ASSEMBLY, BEZEL/CAPACITIVE TOUCH, DTO127[F]S*
	702180-01*	ASSEMBLY, BEZEL/CAPACITIVE TOUCH, DTO127[F]S - 208 VOLT*
	701941-09*	ASSEMBLY, BEZEL/CAPACITIVE TOUCH, DTO127W*
	701941-05*	ASSEMBLY, BEZEL/CAPACITIVE TOUCH, DTOV127B*
2	108140	CONTROL BOARD, DTO127
	108429	CONTROL BOARD, DTO127 - 208 VOLT
3	105334	CONTROL BOARD BASE
4	105486	SCREW, 6-19 X 3/8"
5	105655	RIBBON CABLE

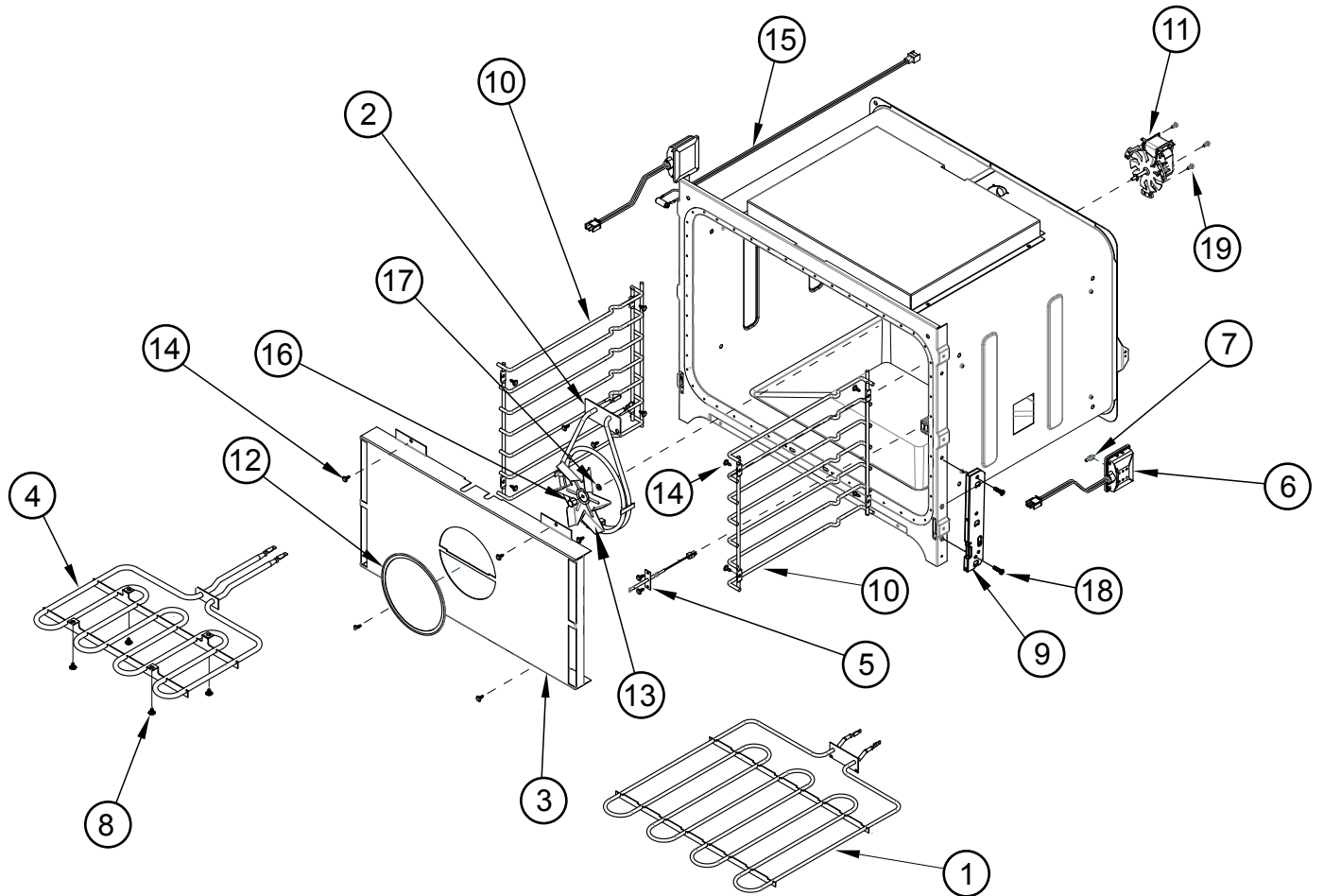
\* Includes items 2, 3, 5 and 6 screws.

# DT0127 Sub-Chassis Electrical Components



Item	Part #	Description
1	102377	RELAY BOARD
2	105448	WIRING HARNESS, POWER BOARD
3	83538	PCB SUPPORT, NYLON
4	108085	WIRING HARNESS, MAIN
5	83009	NUT, KEPS, #10-24
6	92191-02	BUSHING, SPLIT 1.0"
-	105729	WIRING HARNESS EXTENSION RELAY BOARD/TOUCH PAN (not shown)

# DT0127 Wall Oven Cell Components



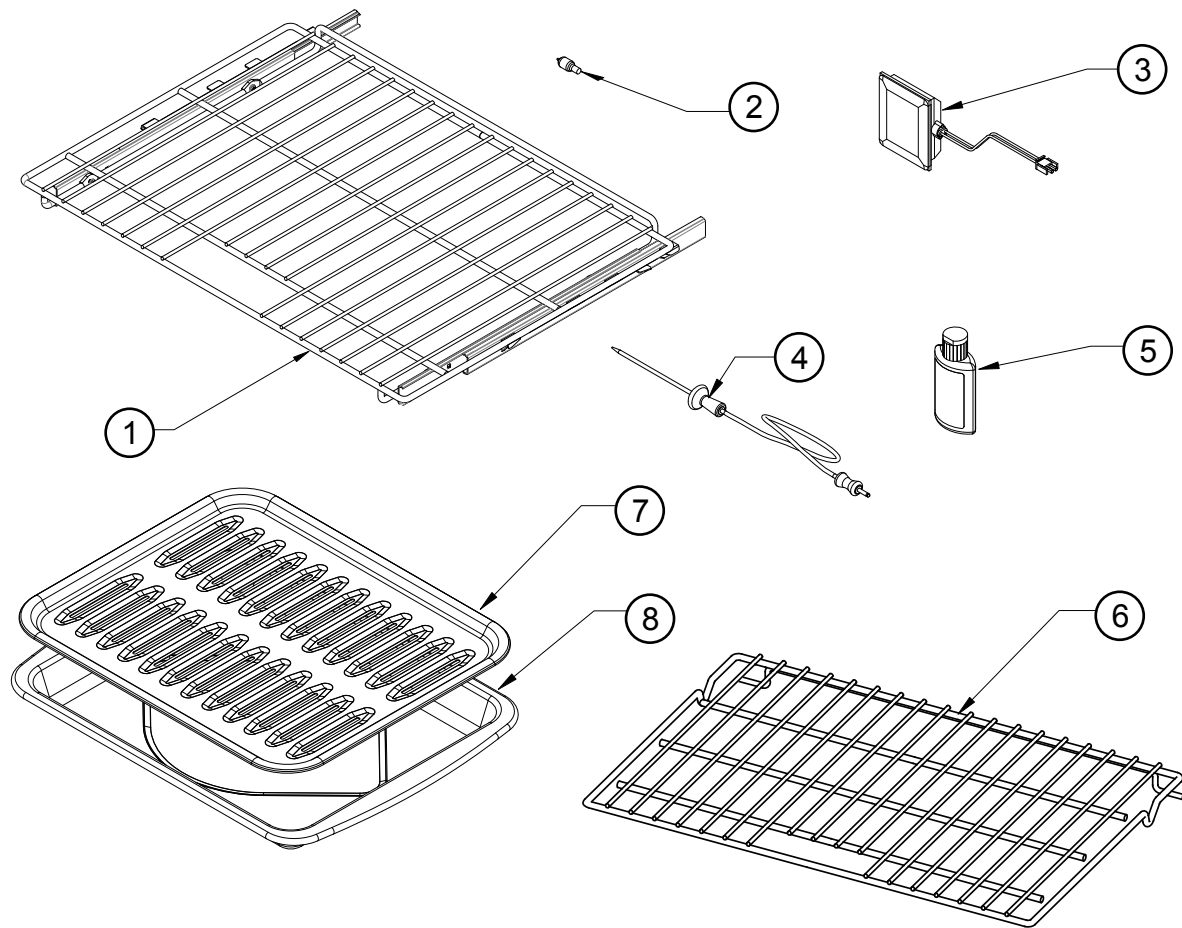
Item	Part #	Description
1	105373	BAKE ELEMENT
	108212	BAKE ELEMENT - 208 VOLT
2	82377	CONVECTION ELEMENT
	82378	CONVECTION ELEMENT - 208 VOLT
3	107475BP	CONVECTION BAFFLE
4	102369	BROIL ELEMENT
	108210	BROIL ELEMENT - 208 VOLT
5	72752	SENSOR, TEMPERATURE
6	107111	ASSEMBLY, HALOGEN LIGHT, 120V, 20W
7	107112	BULB, HALOGEN, 120V, 20W
8	83534	SCREW, WAFER HEAD, #8 X 3/8
9	107510	HINGE RECEPTACLE
10	106991	RACK SUPPORT

Item	Part #	Description
11	700633 <sup>1</sup>	KIT, CONVECTION FAN <sup>1</sup>
12	82891	FILTER, CONVECTION
13	101511	CONVECTION FAN BLADE
14	83708	SCREW, TORX WAFER HEAD, #8 X 1/2"
15	72717	MEAT PROBE SOCKET
16	102137	HEX NUT, CONVECTION FAN
17	102136	WASHER, CONVECTION FAN
18	83661	SCREW, WASHER HEAD #8 X 3/8
19	83379	SCREW, #8-1/2 THREAD TYPE A

<sup>1</sup> Kit includes motor, fan blade, fan blade washer and mounting nut.



# DT0127 Wall Oven Miscellaneous Parts



Item	Part #	Description
1	701824	OVEN RACK, GLIDERACK TYPE
2	107112	BULB, HALOGEN, 120V, 20W
3	107111	ASSEMBLY, HALOGEN LIGHT, 120V, 20W
4	72723	MEAT PROBE
5	100852	STAINLESS STEEL CLEANER
6	107480	OVEN RACK, STANDARD
7	82106	PORCELAIN GRILL
8	82107	PORCELAIN PAN