

dacor[®]

The Life of the Kitchen.[®]

PARTS CATALOG

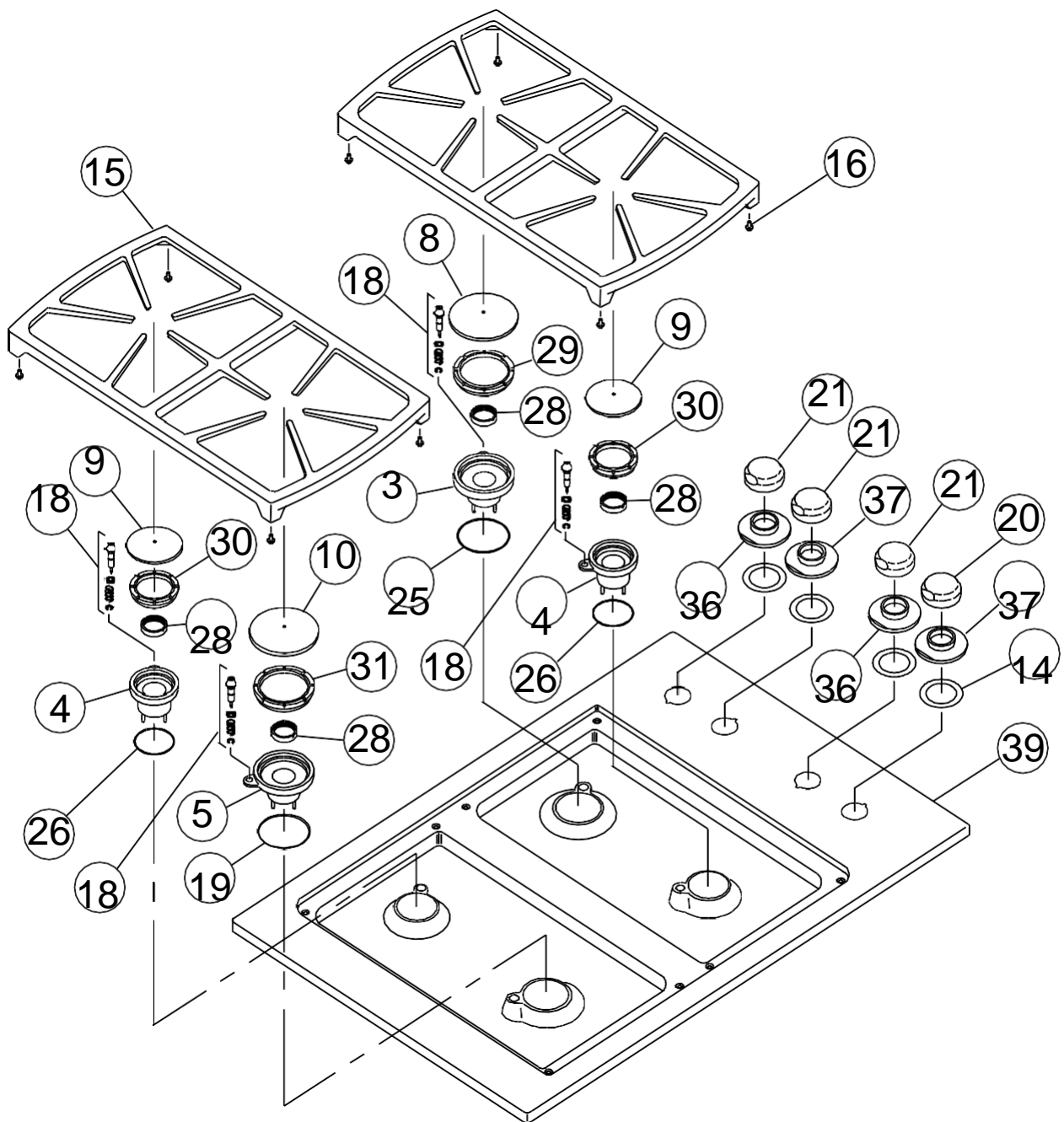
DTCT304G Gas Cooktop

<i>Page</i>	<i>Description</i>
1	Cooktop Assembly
2	Cooktop Parts List
3	Chassis Assembly
4	Chassis Parts List

Revised 05-19-2016

Dacor Technical Service • 14425 Clark Avenue, City of Industry, CA 91745 • Phone 800-353-2267 • FAX 909-348-5601

DTCT304G - Cooktop Assembly

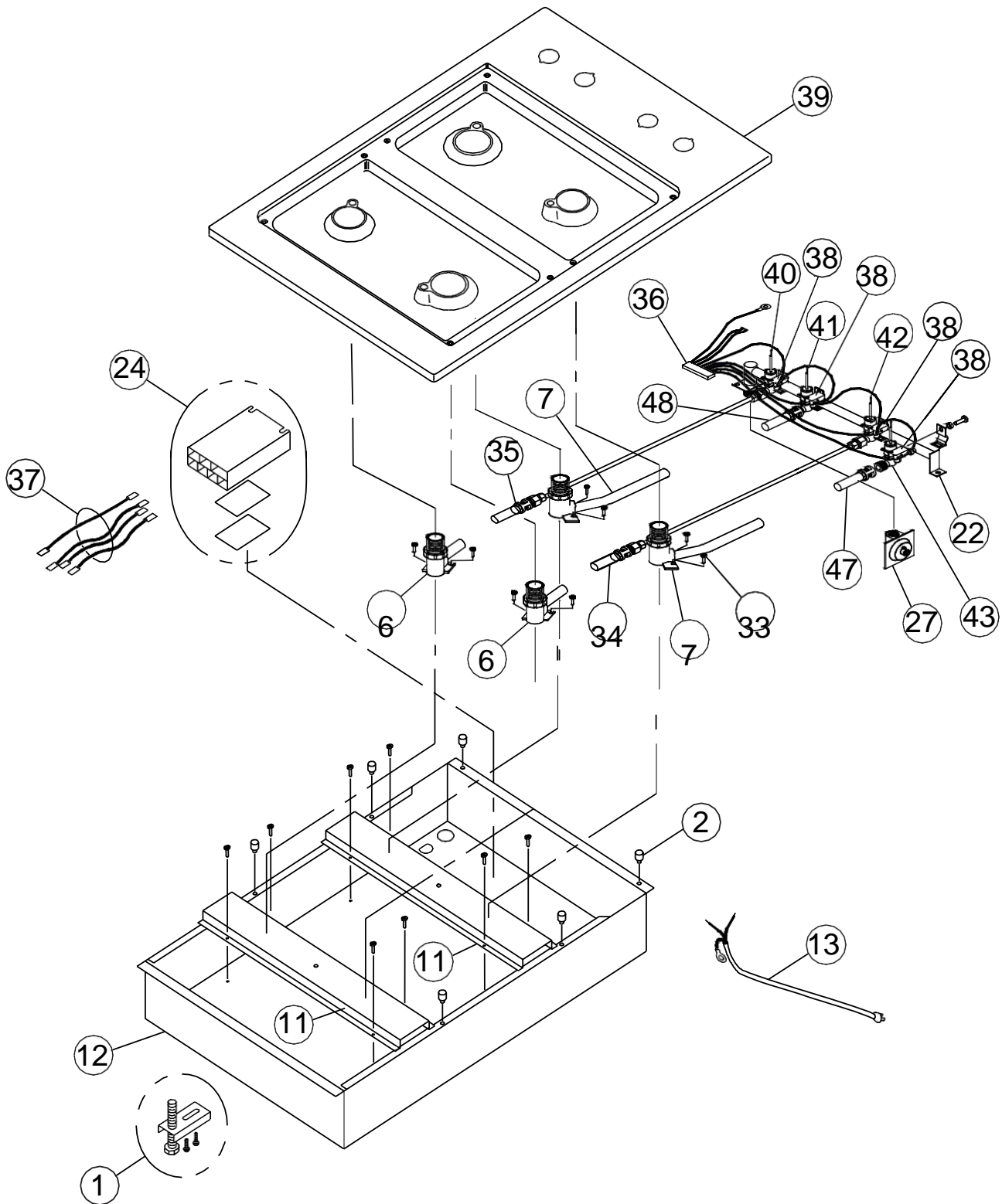


DTCT304G - Cooktop Parts List

ITEM	PART#	Description
3	62952	Burner Head (C)
4	62951	Burner Head (B)
5	62953	Burner Head (D)
8	86523SB	Burner Cap (C)
9	86524SB	Burner Cap (B)
10	72435SB	Burner Cap (D)
14	82973	Gasket and Spill Protector
15	108850	Grate
16	66916	Grate, Support Feet (set of 4)
18	76482-001	Ignitor Assy.
19	86395	O-Ring (D)
20	108854-01	Knob with Logo
21	108854-02	Knob w/out Logo

ITEM	PART#	Description
25	86397	O-Ring (C)
26	86937	O-Ring (B)
28	86405	Ring, Nut
29	86407	Ring, Burner (C)
30	86408	Ring, Burner (B)
31	86918	Ring, Burner (D)
32	72929	Burner Ring Set (not shown)
36	108853-01	Spill Protector, Left (2 pc)
37	108853-01	Spill Protector, Right (4 pc)
39	36418BP	Top Frame, Black
	36421S	Top Frame, Stainless

DTCT304G - Chassis Assembly



DTCT304G - Chassis Parts List

ITEM	PART#	Description
1	12269	Bracket, Hold Down (set of 2)
2	83578	Bumper, Rubber (Chassis)
6	62144	Burner Tube (Short) Base
7	701939-01	Burner Tube (Long) Base
11	46238	Channel Support
12	46224	Chassis Box
13	72765	Cord Assy.
	701948-01	Manifold, NG with Valves
	701948-02	Manifold, LP with Valves
	701948-03	Manifold, NG/HA with Valves
	701948-04	Manifold, LP/HA with Valves
24	82316	Spark Module Assy. 4 points
27	82540	Regulator
33	83306	Screw
34		
	701940-05	Burner Tube with Shutter, NG
	701940-06	Burner Tube with Shutter, LP
	701940-07	Burner Tube with Shutter, NG/HA
	701940-08	Burner Tube with Shutter, LP/HA
35		
	701940-01	Burner Tube with Shutter, NG
	701940-02	Burner Tube with Shutter, LP
	701940-03	Burner Tube with Shutter, NG/HA
	701940-04	Burner Tube with Shutter, LP/HA
36	72438	Wiring Harness
37	62806	Ignitor Wires
38	86576	Switch, Micro (Ignition)
39	36418BP	Top Frame, Black
	36421S	Top Frame, Stainless
	36418RP	Top Frame, White

ITEM	PART#	Description
40	107594-01	Valve, B, NG
	107594-04	Valve, B, LP
	107594-02	Valve, B, NG/HA
	107594-05	Valve, B, LP/HA
41		
	107594-02	Valve, C, NG
	107594-05	Valve, C, LP
	107594-03	Valve, C, NG/HA
	107594-06	Valve, C, LP/HA
42		
	107594-03	Valve, C, NG
	107594-06	Valve, D, LP
	107594-07	Valve, C, NG/HA
	107594-08	Valve, D, LP/HA
43		
	107594-01	Valve, B, NG
	107594-04	Valve, B, LP
	107594-02	Valve, B, NG/HA
	107594-05	Valve, B, LP/HA
47		
	701939-01	Burner Tube with Shutter, NG
	701939-02	Burner Tube with Shutter, LP
	701939-03	Burner Tube with Shutter, NG/HA
	701939-04	Burner Tube with Shutter, LP/HA
48		
	701939-05	Burner Tube with Shutter, NG
	701939-06	Burner Tube with Shutter, LP
	701939-07	Burner Tube with Shutter, NG/HA
	701939-08	Burner Tube with Shutter, LP/HA
-	62933	Ignitor Wire Jacket (not shown)