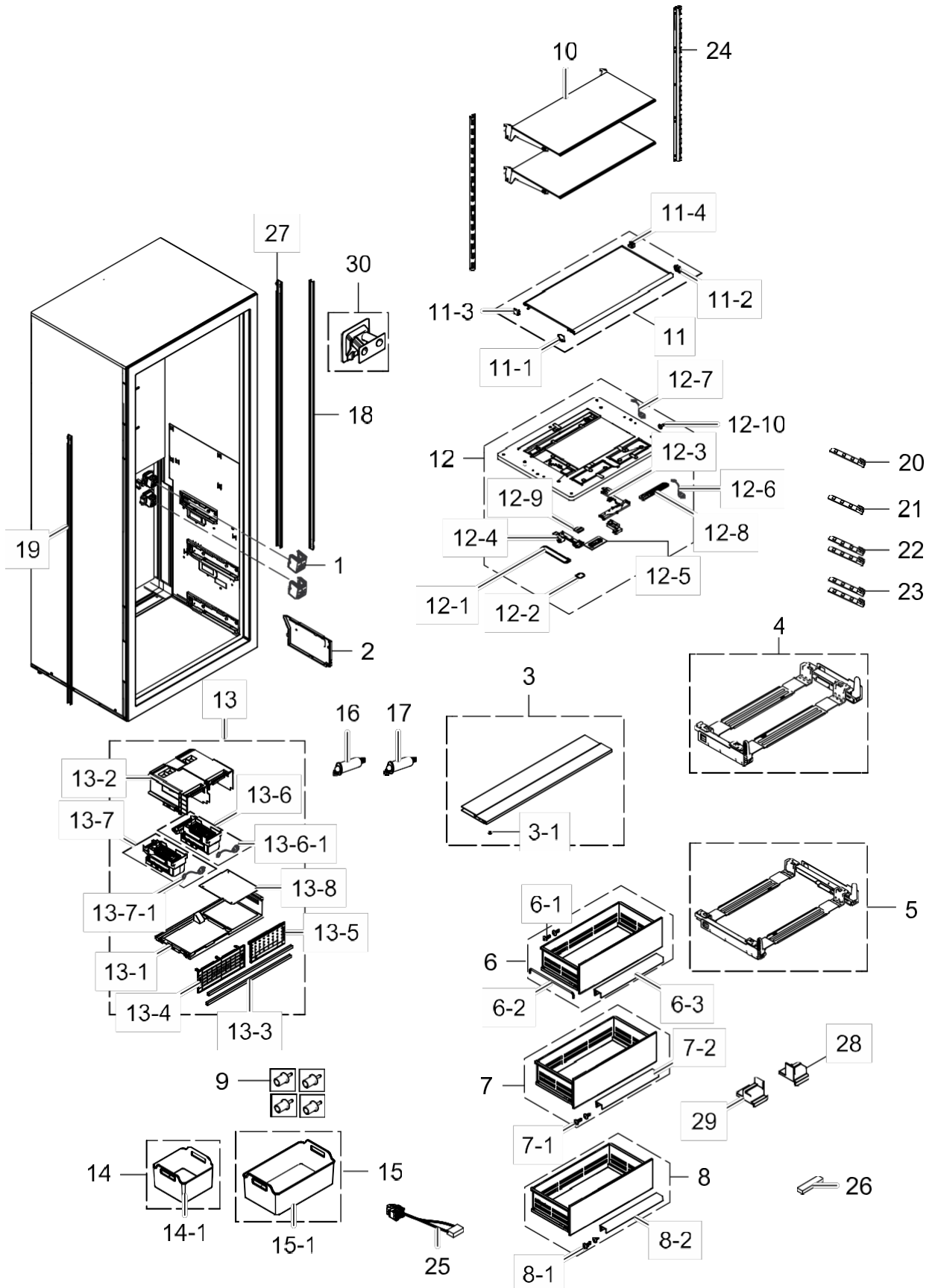


1. Freeze

Exploded View



Freezer Parts List

No.	Dacor Part #	Description	SNA
1	110985	COVER-FIXER HOUSING,V; NEXT,GALVALUM,T0.3	SA
2	111040	COVER HOUSING; BRR9000M,ABS,T2.5,INOX GRA	SA
3	111670	ASSY SHELF TRIM; BRR9000 36",Freezer	SA
3-1	110649	SCREW-TAPPING; TH,+,NO,1,M4,L8,ZPC(WHT),S	SA
4	111657	ASSY RAIL-UP; BRR36	SA
5	111658	ASSY RAIL-LOW; BRR36	SA
6	111587	ASSY CASE BASKET-UP; BRR9000M_36F	SA
6-1	110655	SCREW-TAPPING; TH,+,NO,1,M4,L14,PASS,STS3	SA
6-2	110897	GUIDE TRAY; BRF8000M,STS204,T6.0,Electrol	SA
6-3		TRIM; BRR9000M_36R,Al,TRAY	SNA
7	111591	ASSY CASE BASKET-MIDDLE; BRR9000M_36F	SA
7-1	110655	SCREW-TAPPING; TH,+,NO,1,M4,L14,PASS,STS3	SA
7-2		TRIM; BRR9000M_36R,Al,TRAY	SNA
8	111595	ASSY CASE BASKET-LOW; BRR9000M_36F	SA
8-1	110655	SCREW-TAPPING; TH,+,NO,1,M4,L14,PASS,STS3	SA
8-2		TRIM; BRR9000M_36R,Al,TRAY	SNA
9	111629	ASSY FIXER; BRR9000M 30"	SA
10	111540	ASSY SHELF-REF; BRR9000 36"	SA
11	111544	ASSY SHELF COVER VEG; BRR9000 36"	SA
11-1	111140	SHELF-A; BRR9000M_30R,PP,CAP FRONT LEFT	SA
11-2	111141	SHELF-A; BRR9000M_30R,PP,CAP FRONT RIGHT	SA
11-3	111142	SHELF-A; BRR9000M_30R,PP,CAP REAR LEFT	SA
11-4	111143	SHELF-A; BRR9000M_30R,PP,CAP REAR RIGHT	SA
12		ASSY SHELF-REFLOW; BRR9000 36",DISPLAY	SNA
12-1	111059	GROMMET; BRR9000M,RUBBER	SA
12-2	111060	GROMMET; BRR9000,RUBBER,DACOR	SA
12-3	111026	COVER DISPLAY; BRR9000M_30R,HIPS,INOX GRA	SA
12-4	111049	COVER LAMP; BRR9000M,HIPS,INOX GRAY,30R	SA
12-5	111557	ASSY SHELF-REF SUB; BRR9000 36"	SA

Freezer Parts List

No.	Dacor Part #	Description	SNA
12-6	111222	ASSY WIRE HARNESS-DISPENSER; ALL,FREE VOL	SA
12-7	111232	ASSY WIRE HARNESS-LED; ALL,12VDC,ALL,UL,A	SA
12-8	111643	ASSY PBA DISPLAY; BRR9000,ASSY DISPLAY, C	SA
12-9	111645	ASSY PBA DISPLAY; BRR9000,ASSY DISPLAY, C	SA
12-10	111396	SCREW-TAPPING; TH,+,1,M4,L12,ZPC(WHT),SWR	SA
13		ASSY CASE ICE-ROOM; BRR9000M,36F	SA
13-1	110852	CASE ICE ROOM-IN; BRR9000M,HIPS,INOX GRAY	SNA
13-2		CASE ICE ROOM-A; BRR9000M,HIPS,INOX GRAY,	SA
13-3	111399	REINF COVER; BRR9000M_36R,PO-SPHC,T2.0,CO	SNA
13-4	111401	ASSY COVER ICE MAKER; BRR9000M,30F	SA
13-5	111472	ASSY COVER SLIDE; BRR9000M,36F	SA
13-6	111237	ASSY ICE MAKER; BRR9000,BI-311, 120V, 8CU	SA
13-6-1	111473	ASSY WIRE HARNESS-ICE; ALL,FREE VOLT,UL+I	SA
13-7	111473	ASSY ICE MAKER; BRR9000,BI-312, 120V, 4CU	SA
13-7-1	111238	ASSY WIRE HARNESS-ICE; ALL,FREE VOLT,UL+I	SA
13-8	111627	ASSY PLATE COOLING; BRR9000M,36F	SA
14	111509	ASSY CASE ICE; BRR9000M,24F,CUBE	SA
14-1	110871	CASE ICE-CUBE; BRR9000M,PETG,NATURAL,24F,	SA
15	111510	ASSY CASE ICE; BRR9000M,30F,CUBE	SA
15-1	110872	CASE ICE-CUBE; BRR9000,PETG,NATURAL,30F,J	SA
16	111565	ASSY PIPE WATER ICE; BRF8000M	SA
17	111566	ASSY PIPE WATER ICE; BRF8000M	SA
18	111061	COVER LAMP-SIDE; BRR9000M,HIPS,T2.0,WHITE	SA
19	111069	COVER LAMP-SIDE; BRR9000M,HIPS,T2.0,INNER	SA
20	111265	ASSY LAMP LED; 24,FR-4,412*16,WHITE,DEM1-	SA
21	111266	ASSY LAMP LED; 24,FR-4,412*16,WHITE,LEK-0	SA
22	111268	ASSY LAMP LED; 18,CEM-1,592*16,WHITE,SMAW	SA

Freezer Parts List

No.	Dacor Part #	Description	SNA
23	111269	ASSY LAMP LED; 18,CEM-1,592*16,WHITE,SMAW	SA
24		ANGLE SHELF-REF SIDE RIGHT; GI-SGCC,T3.0,	SNA
25	111235	ASSY WIRE HARNESS-LED; ALL,12VDC,UL+IEC,N	SA
26	110923	SEAL CUTT-RUBBER; RR2500K,RUBBER,BLACK,T5	SA
27	111067	COVER LAMP-SIDE; BRR9000M,HIPS,T2.0,INNER	SA
28	111153	RUBBER BUMPER; BRR9000M,SI,GRAY	SA
29	111154	RUBBER BUMPER; BRR9000M,SI,GRAY,R	SA
30	111638	ASSY GUIDE WATER HOSE-REAR; 36inch column	SA

Cabinet Parts List

No.	Dacor Part #	Description	SNA
1	111479	ASSY COVER EVAP-FRE; BRR9000M,COLUMN, 36"	SA
1-1	110655	SCREW-TAPPING; TH,+,NO,1,M4,L14,PASS,STS3	SA
1-2	110696	MOTOR BLDC FAN; ARES2130RA,1850RPM,12V,4.	SA
2	111485	ASSY COVER MULTI-FRE; BRR9000M,COLUMN, 36	SA
2-1	111508	ASSY PLATE COOLING; BRR9000M,COLUMN, 36",	SA
2-2	111161	SEAL COVER MULTI-FRE FRONT; BRR9000M,PE F	SA
2-3	111492	ASSY DUCT-ICE PACK; BRR9000M,COLUMN, 30,3	SA
2-4	110654	SCREW-TAPPING; TH,+,-,1,M4,L12,PASS,STS30	SA
2-5	110706	SENSOR TEMP; SC41198-021A,1000mm,13.2kohm	SA
3	110722	ASSY WIRE HARNESS-EARTH; ALL,FREE VOLT,UL	SA
4	110746	FITTING-LOKRING 33; SUM23,33	SA
5	110747	FITTING LOKRING; SUM23,St 56	SA
6	110935	PIPE CONNECT-SUCTION; BRR9000M,Cu,OD6.35,	SA
7	110940	DRYER; C1220T-H,114,SINGLE MOUTH,R-600a O	SA
8	110943	VALVE STEP; DC12V,MODULE,RIGHT/RIGHT bend	SA
9	110979	GROMMET COMP; USP05,EPDM,OD27.0,BLACK	SA
10	110990	COVER-URETHANE; AW-PJT,ABS,BLACK,5VA	SA
11	111001	COVER RELAY; MSV,MPPO,T2.0,BLACK,V-0	SA
12	111031	COVER COMP-REAR; BRF8000M,GI-SGCC,T0.8	SA
13	111653	ASSY COVER COMP-LOW; BRR9000M,36"	SA
14	111146	PARTITION-FRONT; BRF8000M,GI-SGCC,T0.6	SA
15	111149	PARTITION-UP; BRR9000M,HIPS,T1.2	SA
16	111162	SEAL CUTT-RUBBER; W2-05,BUTYL RUBBER,BLAC	SA
17	111246	ASSY WIRE HARNESS-COMP; ALL,FREE VOLT,UL+	SA
18	111247	ASSY EVAP-FRE; BRR9000M,FIN TUBE,30", 36"	SA

Cabinet Parts List

No.	Dacor Part #	Description	SNA
18-1	110705	SENSOR TEMP; SC41199-021A, PVC TUBE 250mm	SA
18-2	110736	THERMO FUSE-ASSY; AC250V,10A,109~110S	SA
18-3	110740	HEATER METAL SHEATH; AC120V,BRR9000M 30,3	SA
18-4	110823	FIXER-SHEATH HEATER; POLARIS-PJT,AL,T0.8	SA
18-5	110795	FIXER-SENSER; AW-PJT,PP,NATURAL,V-0	SA
18-6	110818	FIXER WIRE; AW3-PJT,PP,T2.0,NATURAL,HB,BJ	SA
18-7	110822	FIXER-HEATER WIRE REF; HM/GGH/HAEMIL,PP,N	SA
18-8	110861	PLATE DRAIN-FRE; BRR9000M(30inch Column),	SA
19	111338	ASSY CAP-DRAIN; AW3	SA
19-1	110811	FIXER-DRAIN; HAEMIL,PP,T0.6,CARMEN WINE,B	SA
19-2	110928	TUBE PVC; AW3,SF-PVC,BLACK	SA
19-3	110982	GROMMET-DRAIN; RS18RK,NBR,-,-,-,-,BLK,-	SA
19-4	111128	CAP-DRAIN; AW4,HIPS,HB,S834S1,NATURAL	SA
20	111467	ASSY CHASSIS AIR GRILLE; BRR9000M,36" LEF	SA
20-1	110649	SCREW-TAPPING; TH,+,NO,1,M4,L8,ZPC(WHT),S	SA
20-2	111121	LATCH; LATOUR,POM,BLACK,DC LATCH	SA
20-3		CHASSIS GRILLE; BRR9000M,A1,T1.0,L0.563,-	SNA
21	111527	ASSY CHASSIS COMP; BRR9000M(36inch)	SA
21-1	110647	SCREW-TAPPING; TH,+,1,M4,L12,ZPC(WHT),SWR	SA
21-2	110910	CASTER; BRR9000M,MSWR,OD40, BLACK	SA
21-3	111390	ASSY LEG-FRONT; BRR9000M	SA
21-4	111391	ASSY LEG-FRONT; BRR9000M,RIGHT	SA
21-5	111392	ASSY LEG-REAR; BRR9000M	SA
21-6	111393	ASSY LEG-REAR; BRR9000M,RIGHT	SA
21-7	111446	ASSY TRAY DRAIN WATER; BRR9000,T2,30inch	SA
21-7-1	110647	SCREW-TAPPING; TH,+,1,M4,L12,ZPC(WHT),SWR	SA
21-7-2	111006	GROMMET-IMMERSION PIPE B; ROMANEE CONTI,N	SA
21-7-3	111074	GROMMET-SUCT PIPE A; NBR,-,ID4,OD20	SC
21-7-4	111409	ASSY SUPPORT-CIRCUIT MOTOR; BRR9000M(30",	SA
21-7-4-	110913	SPRING ETC-FAN; STS304,PI8.8,ID7.8,OD9.8,	SA

Cabinet Parts List

No.	Dacor Part #	Description	SNA
21-8	111533	ASSY CASTER; BRR9000M,GI-SGCC,T3.0,LEFT	SA
21-8-1	110757	PIN-CASTER; SR-289-429,MSWR,L38,ZPC2	SA
21-8-2	110821	CASTER-REAR; GRAND-CRU,PP,NATURAL	SA
21-9	111534	ASSY CASTER-FRONT; BRR9000M,GI-SGCC,T3.0,	SA
21-9-1	110757	PIN-CASTER; SR-289-429,MSWR,L38,ZPC2	SA
21-9-2	110821	CASTER-REAR; GRAND-CRU,PP,NATURAL	SA
Not Shown	112872	Vulkan lok ring fittings (includes drier)	SA
22	111691	CMP,COMP,REFRIGERATOR,R-600A; (Must order with Ref #9 QTY4)	SA
23	111692	SEAL CUTT-RUBBER; W2-05,BUTYL RUBBER,BLAC	SA
24	111639	ASSY COVER FIXER WATER; BRR9000M,24,30,36	SA
25	110886	FIXER PIPE; BRR9000M,EPDM,BLACK	SA
26	110892	RAIL; BRR9000M,ABS,EBONY BLACK	SA
27	110894	RAIL; BRR9000M,ABS,EBONY BLACK,158mm,Colu	SA
28	110895	RAIL-LEFT; BRR9000M,ABS,EBONY BLACK,HG-07	SA
29	110918	VALVE-FITTING PU; BEST-BUY,(C3604BD-F)+BN	SA
30	110946	PIPE WATER-LINE OUT; BRF8000M,PVC,WHITE	SA
31	111058	COVER WIRE; BRR9000,ABS,HB,COOL WHITE,HG-	SA
32	111091	CHASSIS CABI; BRR9000M,GI-SGCC,T0.8,-,-	SA
33	111170	VALVE-FITTING NUT; A-TOP,CU,12,C3604 BD-F	SA
34	111656	ASSY TRIM KIT; BRR9000M	SA
34-1	111093	TRIM COVER; BRR9000M,AI,BI-327	SA
35	111379	ASSY HINGE-UP; BUILT-IN,K05-X	SA
36	111380	ASSY HINGE-LOW; BUILT-IN,K05-X	SA
37	111382	ASSY CABI FRAME-SIDE LEFT; BRR9000M,GI-SG	SA
37-1	110647	SCREW-TAPPING; TH,+,1,M4,L12,ZPC(WHT),SWR	SA
38	111386	ASSY CABI FRAME-SIDE RIGHT; BRR9000M,GI-S	SA
38-1	110647	SCREW-TAPPING; TH,+,1,M4,L12,ZPC(WHT),SWR	SA
39	111421	ASSY EASY OPEN;BRR9000,12V	SA

DRZ36980LAP

Cabinet Parts List

39-1	110633	IC-MICROCONTROLLER; R5F100FCAFP,LQFP,44P,	SA
------	--------	--	----

Cabinet Parts List

No.	Dacor Part #	Description	SNA
40	111429	ASSY COVER HINGE-FRE; BRR9000M,ABS,18,24I	SA
40-1	110671	SCREW-TAPPING; PWH,+,PW,1,M4,L16,ZPC(WHT)	SA
41	111349	ASSY CASE WATER FILTER; BRR9000M	SA
41-1	110647	SCREW-TAPPING; TH,+,1,M4,L12,ZPC(WHT),SWR	SA
41-2	110806	CLIP-FITTING LOCK; AW,POM	SA
41-3	110752	FITTING TUBE; AW4-4D,POM,Fitting Tube Y,	SA
41-4	110938	VALVE WATER; AC110-127V,350,1WAY,L-Wire,1	SA
41-5	110934	VALVE WATER; AC110~127V,230,1WAY,L-Wire,1	SC
42	111458	ASSY REINF-UP LEFT; BRR9000M,ZPC3	SA
42-1	110678	BOLT-ETC; M6,L20,ZPC(WHT),SWRCH18A,FH	SA
43	111460	ASSY REINF-LOW LEFT; BRR9000M,ZPC3	SA
43-1	110678	BOLT-ETC; M6,L20,ZPC(WHT),SWRCH18A,FH	SA
44	111682	ASSY COVER HINGE-UP LEFT; BRR9000M,Column	SA
44-1	110660	SCREW-TAPPING; FH,+,1,M4,L18,ZPC(WHT),SWR	SA
44-2	111048	COVER HINGE-UP LEFT; BRR9000M,PC,5V-B,EBO	SA
44-3	111046	COVER HINGE-LEFT; BRR9000M,ABS,HB,INOX GR	SA
44-4	111275	ASSY WIRE HARNESS-ETC; 1-DOOR,FREE VOLT,U	SA
44-5	111042	COVER FRONT; BRR9000M,ABS,HB,INOX GRAY,AB	SA
45	110639	CBF-POWER CORD; AT,USA,US3F-1,3C,125V,15A	SA
46	110683	COIL FILTER; 22mH,82*60,AC 8A,0.47uF / 0.	SA
47	111197	ASSY PCB INVERTER; INVERTER,LC3_3050_V2,1	SA
48	111198	ASSY MODULE; STD#9 SMPS,RF9500(Family Hub	SA
49	111199	ASSY MODULE; BUZZER PBA,RB6000K	SA
50	111202	ASSY MODULE; PBA-FUSE BLOCK,BRZ9000M,30*5	SA
51		ASSY PCB EEPROM; OX48,D601,D602,D603,D607	SNA
52	111043	ASSY WIRE HARNESS-ETC; 1-DOOR,FREE VOLT,U	SA
53	111621	ASSY CASE PBA; BRR9000M,COLUMN30"FRE,SUB	SA

Cabinets Parts List

No.	Dacor Part #	Description	SNA
53-1	110904	PLATE COVER; AI,T0.15,FDR	SA
54	111617	ASSY COVER PBA; BRR9000M,COLUMN30"FRE	SA
54-1		PLATE COVER; BRR9000M,GI-SGCC,T0.5,Column	SNA
54-2	111043	COVER PBA; BRR9000M,PC,T2.5,5V-B,EBONY BL	SA
55	111621	ASSY COVER-FRONT; BRR9000M,COLUMN30"FRE	SA
55-1	110716	SWITCH REED; UL1007 AWG 22,100mm,DEM1-B50	SA
55-2	111044	COVER FRONT; BRR9000M,PC,5V-B,EBONY BLACK	SA
56	111624	ASSY COVER-FRONT UP; BRR9000M,COLUMN30"FR	SA
56-1		PLATE COVER; BRR9000M,GI-SGCC,T0.5,FRONT,	SNA
56-2	111045	COVER FRONT-UP; BRR9000M,PC,5V-B,EBONY BL	SA
57	111169	PIPE CONNECT-DISC; RF8000MC,Cu,OD6.35,T0.	SA
58	110909	BRACKET-LOCK; GI-SGCC,T2	SA
59	110866	GUIDE-UP; BRZ30980LPR,ABS,T2.5,HB,INOX GR	SA
60	111072	COVER PBA; BRR9000M,ABS,INOX GRAY,WIFI MO	SA
61	111151	CAP HINGE-UP LEFT; BRR9000M,ABS,T1.2,HG-0	SA

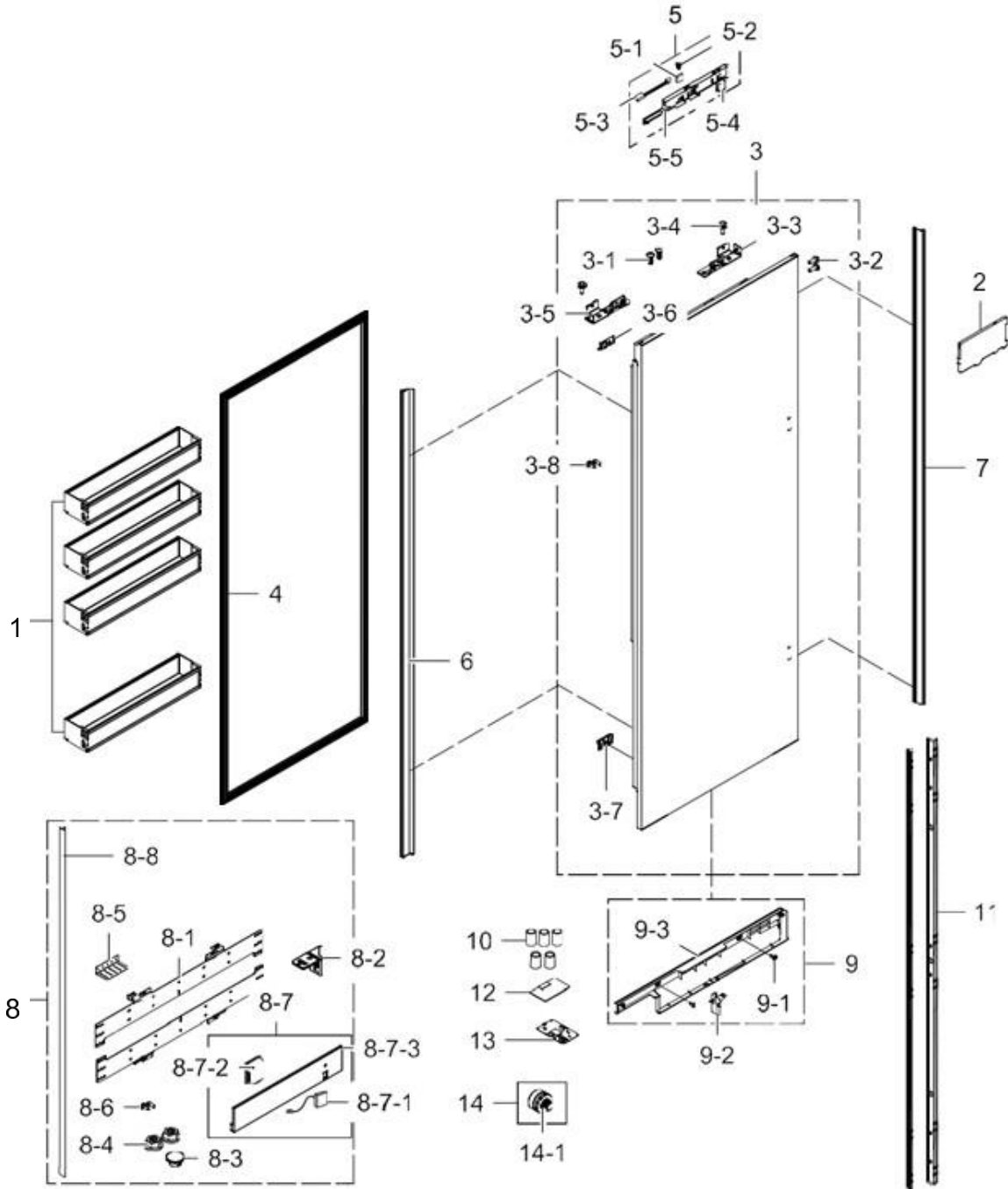
Door Panels, Handles, and Toe Kick

Type	SVC Part	Dacor P/N	Finish
36" Column	Custom Panel-Left Hinge	114174	Graphite
	Modern Handle	114133	Graphite
	Toe Kick Plate	114134	Graphite
	Custom Panel-Left Hinge	114177	Stainless
	Modern Handle	114140	Stainless
	Pro Handle	114141	Stainless
	Toe Kick Plate	114142	Stainless
	Pair Installation Kit	RAC00CPAAAA	Stainless

***Note: Only one "Pair installation kit" is needed to install two columns together.

3. Door

Exploded View



Door Parts List

No.	Dacor Part #	Description	SNA
1	111574	ASSY GUARD-REF; BRR9000M,Column,36"	SA
2	111072	COVER PBA; BRR9000M,ABS,INOX GRAY,WIFI MO	SA
3	111189	ASSY DOOR FOAM-FRE; BRR9000M,36",LEFT-HIN	SA
3-1	110658	SCREW-TAPPING; TH,+,-,2,M5,L16,ZPC(WHT),S	SA
3-2	110666	SCREW-TAPPING; TH,+,-,2S,M4,L12,ZPC(WHT),	SA
3-3	110845	BRACKET-UP; BRR9000M,PO-SPHC,T2.3,RIGHT	SA
3-4	110847	FIXER-UP FRONT; BRR9000M,SWRCH10A,M6	SA
3-5	110848	BRACKET-UP; BRR9000M,PO-SPHC,T2.3,LEFT	SA
3-6	110856	BRACKET HINGE-FRE UP; BRR9000M,PO-SPHC,T2	SA
3-7	110860	BRACKET HINGE-FRE LOW; BRR9000M,PO-SPHC,T	SA
3-8	110648	SCREW-TAPPING; TH,+,-,NO,1,M4,L16,ZPC(WHT),	SA
4	111413	ASSY GASKET; BRR9000M,36" COLUMN, DARK G	SA
5	111451	ASSY CAP DOOR-UP LEFT; BRR9000M,ABS,36"	SA
5-1	110798	MAGNET; SVETA,FERRITE,1600Gauss	SA
5-2	111133	CAP-SHAFT HOLE; AW3,ABS,HG-0760GP,COOL WH	SA
5-3	110710	SENSOR HUMIDITY; 5V,0~100%RH,REF,250mm	SA
5-4	111033	COVER TOP TABLE; BRR9000M,ABS,HB,INOX GRA	SA
5-5		CAP DOOR-UP; BRR9000M,ABS,HB,HG-0760GP,IN	SNA
6	111087	TRIM DOOR-RIGHT; BRR9000M,ABS,XM-0900,VF S	SA
7	111086	TRIM DOOR-LEFT; BRR9000M,ABS,XM-0900,VF	SA
8		ASSY INSTALL; 36IN FREEZER(LEFT HINGE)	SNA
8-1	110899	BRACKET-WOOD; BRR9000M,PO-SPHC,T2.3,COLUM	SA
8-2	110889	GUIDE PANEL; BRR9000M,HIPS,S834S1,COOL WH	SA
8-3	111129	CAP SCREW; BRR9000M,ABS,HB,HG- 0760GP,INOX	SA
8-4	110680	NUT-HEXAGON FLANGE; M8,SWRCH10A,FLANGE, M	SA

Door Parts List

No.	Dacor Part #	Description	SNA
8-5	110903	SUPPORT-REF; BRR9000M,GI-SGCC,T3,Anti Tip	SA
8-6	110648	SCREW-TAPPING; TH,+,NO,1,M4,L16,ZPC(WHT),	SA
8-7	111506	ASSY TOP TABLE-FRONT; BRR9000M,36-IN,F	SA
8-7-1	110711	SENSOR PHOTO; -20~705V,illumination	SA
8-7-2	111033	COVER TOP TABLE; BRR9000M,ABS,HB,INOX GRA	SA
8-7-3		TOP TABLE-FRONT; BRR9000M,ABS,INOX GRAY,H	SNA
8-8	111665	ASSY TRIM KIT; BRR9000M,36"Column	SA
9	111630	ASSY CAP DOOR-LOW LEFT; BRR9000M,ABS,36"	SA
9-1	110647	SCREW-TAPPING; TH,+,1,M4,L12,ZPC(WHT),SWR	SA
9-2	110862	GUIDE AIR-A; BRR9000M,ABS,HB,INOX GRAY	SA
9-3		CAP DOOR-LOW; BRR9000M,ABS,HB,HG-0760GP,I	SNA
10	110906	FIXER; BRR9000M,ABS,NATURAL,HG-0760GP	SA
11	110846	BRACKET-MIDDLE; BRR9000M,CR-SPCC,T1.2,COL	SA
12	110640	W-LAN MODULE; DWMSMQ96L01S,IEEE802.11,2.4	SA
13	111205	ASSY PCB SUB; Network,WiFi,LTE,WideCamera	SA
14	111685	ASSY DOOR; BRR9000M	SA
14-1	111353	ASSY FIXER-MOVABLE; HAEMIL,CREAMY STS,MAT	SA