

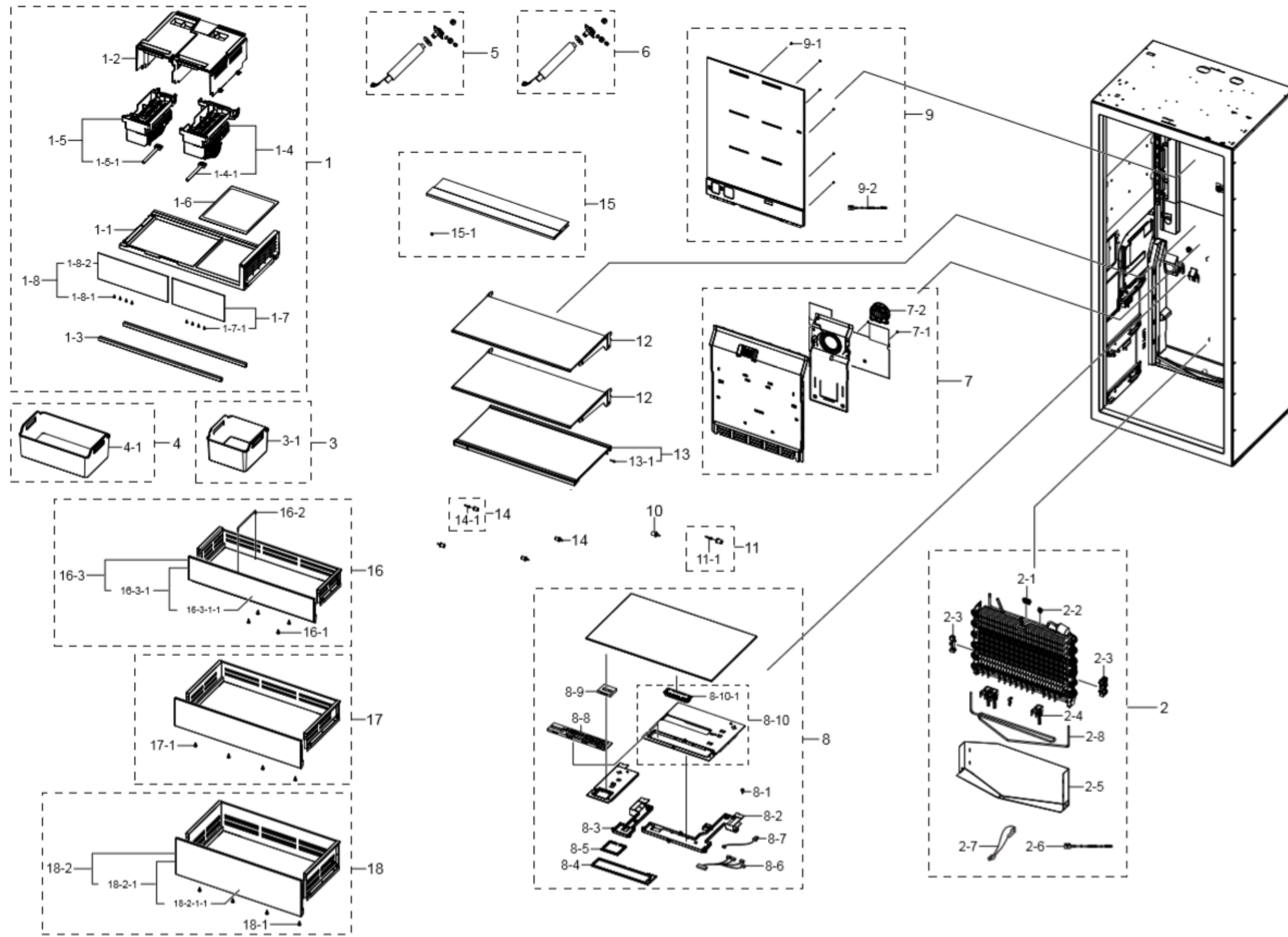
dacor

LET THE SHOW BEGIN



DRZ30990LAP

BRF9000M DRZ30990LAP/DA Exploded view and parts list



■ Freezer

Freezer

Ref	Part#	description	sa/sna
1		ASSY CASE ICE- ROOM BRR9000M,30F, Ceramic	SNA
1-1	110849	CASE ICE ROOM-IN BRR9000M,HIPS,INOX GRAY,30F,S834S1,BI-315-01	SA
1-2	110852	CASE ICE ROOM-A BRR9000M,HIPS,INOX GRAY,BI-315-01,30F, S834S1	SA
1-3	110874	REINF COVER BRR9000M_30R,PO-SPHC,T2,CONVERTIBLE	SA
1-4	111472	ASSY ICE MAKER BRR9000,BI-311, 120V, 8CUBE	SA
1-4-1	111237	ASSY WIRE HARNESS-ICE ALL,FREE VOLT,UL+IEC,UL,UL,ALL,DC,JST 12PIN,670mm	SA
1-5	111473	ASSY ICE MAKER BRR9000,BI-312, 120V, 4CUBE	SA
1-5-1	111238	ASSY WIRE HARNESS-ICE ALL,FREE VOLT,UL+IEC,UL,UL,ALL,DC,JST 12PIN,450mm	SA
1-6	111641	ASSY PLATE COOLING BRR9000M,BRZ3098,ASSY	SA
1-7	TBD	ASSY COVER SLIDE BRR9000M,30F, Ceramic	SA
1-7-1	110668	SCREW-TAPPING FH,+,NO,1,M4,L10,ZPC(WHT),SWRCH18A	SA
1-8	TBD	ASSY COVER ICE MAKER BRR9000M,30F, Ceramic	SA
1-8-1	110668	SCREW-TAPPING FH,+,NO,1,M4,L10,ZPC(WHT),SWRCH18A	SA
1-8-2	TBD	ASSY COVER ICE MAKER BRR9000M,CERAMICS,ARAMID ASSY, 30inch	SA
2	111247	ASSY EVAP-FRE BRR9000M,FIN TUBE,30", 36" Column	SA
2-1	110795	FIXER-SENSER AW-PJT,PP,NATURAL,V-0	SA
2-2	110818	FIXER WIRE AW3-PJT,PP,T2,NATURAL,HB,BJ750	SA
2-3	110822	FIXER-HEATER WIRE REF HM/GGH/HAEMIL,PP,T2,NATURAL,FH44N	SA
2-4	110823	FIXER-SHEATH HEATER POLARIS-PJT,AL,T0.8	SA
2-5	110861	PLATE DRAIN-FRE BRR9000M(30inch Column),Al,T0.5,A3003	SA
2-6	110705	SENSOR TEMP SC41199-021A, PVC TUBE 250mm,300mm,13.2kohm	SA
2-7	110736	THERMO FUSE-ASSY AC250V,10A,109~110°C,S.O.D,ETC(WIRE)	SA
2-8	110740	HEATER METAL SHEATH AC120V,BRR9000M 30,36 INCH FRIDGE, FREEZE,270W,INCOLOY840,1,620mm,370,5 50mm,BIMETAL,35965-9213,MgO	SA
3	111509	ASSY CASE ICE BRR9000M,24F,CUBE	SA
3-1	110871	CASE ICE-CUBE BRR9000M,PETG,NATURAL,24F,JN200	SA
4	111510	ASSY CASE ICE BRR9000M,30F,CUBE	SA
4-1	110872	CASE ICE-CUBE BRR9000,PETG,NATURAL,30F,JN200	SA
5	111565	ASSY PIPE WATER ICE BRF8000M	SA

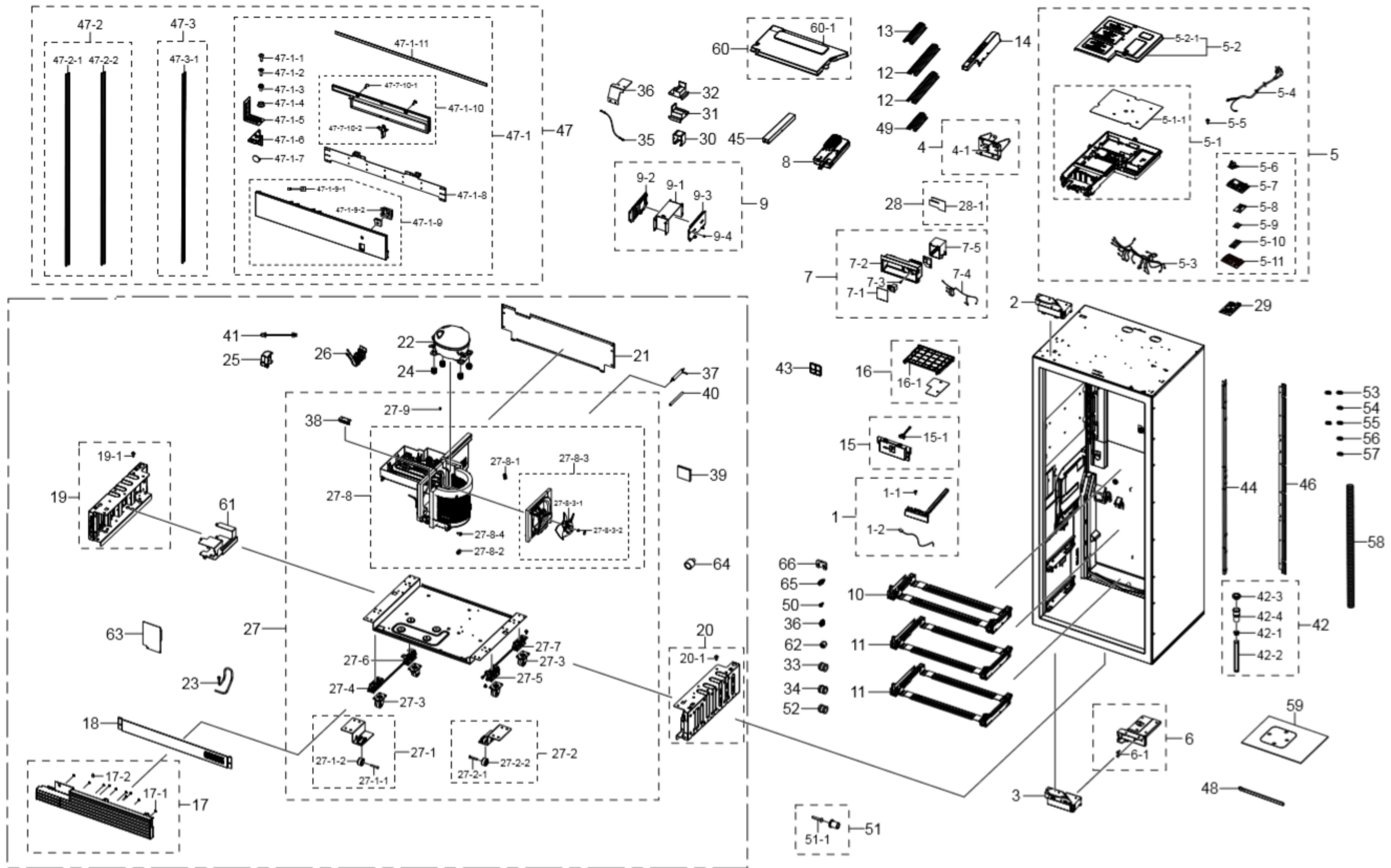
Freezer

Ref	Part#	description	sa/sna
6	111566	ASSY PIPE WATER ICE BRF8000M	SA
7	111478	ASSY COVER EVAP- FRE BRR9000M,COLUMN, 30", FREEZER	SA
7-1	110655	SCREW-TAPPING TH,+,NO,1,M4,L14,PASS,STS304	SA
7-2	110696	MOTOR BLDC FAN ARES2130RA,1850RPM,12V,4.2W,FC connector,-30 ~ 60	SA
8	TBD	ASSY SHELF-REF LOW BRR9000M_PORCELAIN,30inch,FREEZE R,GOLDWHITE	SA
8-1	110647	SCREW-TAPPING TH,+,1,M4,L12,ZPC(WHT),SWRCH18A	SA
8-2	111026	COVER DISPLAY BRR9000M_30R,ABS+PC,CREAMY STAINLESS	SA
8-3	111049	COVER LAMP BRR9000M,HIPS,INOX GRAY,30R	SA
8-4	111059	GROMMET BRR9000M,RUBBER	SA
8-5	111060	GROMMET BRR9000,RUBBER,DACOR	SA
8-6	111222	ASSY WIRE HARNESS- DISPENSER ALL,FREE VOLT,UL+IEC,NA,UL,COLUMN 24~36,FDR,DISPLAY(6PIN)	SA
8-7	111232	ASSY WIRE HARNESS-LED ALL,12VDC,ALL,UL,ALL,LED,VCC1,440mm *2,2,SMH250-03L,25045HP-0	SA
8-8	TBD	ASSY PBA DISPLAY BRR9000M,PORCELAIN,FREEZER	SA
8-9	111645	ASSY PBA DISPLAY BRR9000,ASSY DISPLAY, COLUMNM,DACOR	SA
8-10		ASSY SHELF-REF SUB BRR9000M_PORCELAIN,30inch,Freezer, Goldwhite,PUR	SNA
8-10-1		CASE LAMP BRR9000M,HIPS,INOX GRAY,30R	SNA
9	TBD	ASSY COVER MULTI- FRE BRR9000M,COLUMN, 30", FREEZER, CERAMIC	SA
9-1	110655	SCREW-TAPPING TH,+,NO,1,M4,L14,PASS,STS304	SA
9-2	110706	SENSOR TEMP SC41198-021A,1000mm,13.2kohm	SA
10	TBD	ASSY FIXER BRR9000M,Gold White,Porcelain	SA
11	TBD	ASSY FIXER BRR9000M,Gold White,Porcelain	SA
11-1	114000	SCREW-SPECIAL FH,+,M5,L25(15.5),ZPC(WHT),SWRCH1 8A,1	SA
12	TBD	ASSY SHELF-REF COLUMN 30,PORCELAIN	SA
13	TBD	ASSY SHELF COVER VEG BRR9000M_PORCELAIN,GOLD WHITE, 30"	SA
13-1	TBD	STOPPER RQ9500M,SWRCH10A,FH M3 L16 Type1 Cr coat	SA
14	TBD	ASSY FIXER BRR9000M,Gold White,Porcelain	SA
14-1	114000	SCREW-SPECIAL FH,+,M5,L25(15.5),ZPC(WHT),SWRCH1 8A,1	SA
15	TBD	ASSY SHELF TRIM BRR9000 30",Freezer	SA
15-1	110649	SCREW-TAPPING TH,+,NO,1,M4,L8,ZPC(WHT),SWRCH18A	SA
16	TBD	ASSY CASE BASKET- UP BRR9000M 30",30" CERAMIC	SA
16-1	110655	SCREW-TAPPING TH,+,NO,1,M4,L14,PASS,STS304	SA
16-2	110897	GUIDE TRAY BRF8000M,STS304,Electrolytic Polishing	SA
16-3		ASSY COVER BASKET-UP BRR9000M, CERAMIC 30"	SNA

Freezer

Ref	Part#	description	sa/sna
16-3-1		ASSY COVER CASE BRR9000M, CERAMIC 30",BASKET UP	SNA
16-3-1-1	TBD	TRIM BASKET-FRONT BRR9000M, 30", CERAMIC,AI,AL6063,BASKET UP_clear coating	SA
17	TBD	ASSY CASE BASKET- MIDDLE BRR9000M 30",30" CERAMIC	SA
17-1	110655	SCREW-TAPPING TH,+,NO,1,M4,L14,PASS,STS304	SA
17-2		ASSY COVER BASKET-MIDDLE BRR9000M, CERAMIC 30"	SNA
18	TBD	ASSY CASE BASKET- LOW BRR9000M 30",30" CERAMIC	SA
18-1	110655	SCREW-TAPPING TH,+,NO,1,M4,L14,PASS,STS304	SA
18-2		ASSY COVER BASKET-LOW BRR9000M, CERAMIC 30"	SNA
18-2-1		ASSY COVER CASE BRR9000M, CERAMIC 30",BASKET LOW	SNA
18-2-1-1		TRIM BASKET-FRONT BRR9000M, 30", CERAMIC,AI,AL6063,BASKET LOW_clear coating	SNA

Freezer Cabinet



Freezer Cabinet

Ref	Part#	description	sa/sna
1	TBD	ASSY COVER HINGE-UP LEFT BRR9000M,ABS,24,30Inch	SA
1-1	110671	SCREW-TAPPING PWH,+,PW,1,M4,L16,ZPC(WHT),SW RCH18A	SA
1-2	TBD	ASSY WIRE HARNESS-ETC 1-DOOR,FREE VOLT,UL+IEC, UL,UL,BRR9000M,18" FRE	SA
2	111379	ASSY HINGE-UP BUILT-IN,K05-X	SA
3	111380	ASSY HINGE-LOW BUILT-IN,K05-X	SA
4	111458	ASSY REINF-UP LEFT BRR9000M,ZPC3	SA
4-1	110678	BOLT-ETC M6,L20,ZPC(WHT),SWRCH18A,FH	SA
5		ASSY CASE PCB-MAIN BRR9000M,30"- F,PORCELAIN,LEFT-OPEN	SNA
5-1	111613	ASSY CASE PBA BRR9000M,COLUMN30"FRE,SUB ASSY	SA
5-1-1	110904	PLATE COVER AI,T0.15,FDR	SA
5-2	111617	ASSY COVER PBA BRR9000M,COLUMN30"FRE	SA
5-2-1	111043	COVER PBA BRR9000M,PC,T2.5,5VB,EBONY BLACK,HN-1074, Column 30" FRE	SA
5-3	111256	ASSY WIRE HARNESS-ETC 1-DOOR,FREE VOLT,UL+IEC,UL ,UL,BRR9000M,24~36" FRE, L HINGE, TOP-FRONT	SA
5-4	110639	CBF-POWER CORD AT,USA,US3F-1,3C,125V,15A,B lack,2000,20/100/100/200,S PT-3 AWG18 105C,UL,Y,N,Y,N,Y	SA
5-5	110647	SCREW-TAPPING TH,+,1,M4,L12,ZPC(WHT), SWRCH18A	SA
5-6	110683	COIL FILTER 22mH,82*60,AC 8A,0.47uF / 0.33uF,470pF / 470pF	SA
5-7	111197	ASSY PCB INVERTER INVERTER,LC3_3050_ V2,163*98.5,Y,110V,15V, 5V,6.5K	SA
5-8	111198	ASSY MODULE STD#9 SMPS,RF9500(Family Hub),12V 7000mA, 5V 550mA	SA
5-9	111199	ASSY MODULE BUZZER PBA,RB6000K	SA
5-10	111202	ASSY MODULE PBA-FUSE BLOCK,BRZ9000M,30*55, 4.0A	SA
5-11	TBD	ASSY PCB EEPROM 0x20,D601,D602,D603,D604,D605,BRR9000M,DA92-00958E,CERAMIC FREEZER,30"	SA
6	111460	ASSY REINF-LOW LEFT BRR9000M,ZPC3	SA
6-1	110678	BOLT-ETC M6,L20,ZPC(WHT),SWRCH18A,FH	SA
7	111682	ASSY COVER HINGE-UP LEFT BRR9000M,Column LEFT ALL	SA
7-1	111042	COVER FRONT BRR9000M,ABS,HB,INOX GRAY,ABS,HG-0760GP	SA
7-2	111046	COVER HINGE-LEFT BRR9000M,ABS,HB,INOX GRAY,HG-0760GP	SA

Freezer Cabinet

Ref	Part#	description	sa/sna
20	111386	ASSY CABI FRAME-SIDE RIGHT BRR9000M,GI-SGCC,T1.6	SA
20-1	110647	SCREW-TAPPING TH,+,1,M4,L12,ZPC(WHT), SWRCH18A	SA
21	TBD	COVER COMP-REAR BRR9000M,GI-SGCC,T0.8,30inch	SA
22	111691	CMP,COMP,REFRIGERATOR, R-600A	-
23	110935	PIPE CONNECT-SUCTION BRR9000M,Cu,OD6.35,T0.6, R600a, PMS #185C (UL) COLOR TUBE	SA
24	110979	GROMMET COMP USP05,EPDM,OD27.0,BLACK	SA
25	111001	COVER RELAY MSV,MPPO,T2,BLACK,V-0	SA
26	110943	VALVE STEP DC12V,MODULE,RIGHT/RIGHT bending,PMS185 Marking	SA
27	111474	ASSY CHASSIS COMP BRR9000M,30"	SA
27-1	111533	ASSY CASTER BRR9000M,GI-SGCC,T3.0,LEFT	SA
27-1-1	110757	PIN-CASTER SR-289-429,MSWR,L38,ZPC2	SA
27-1-2	110821	CASTER-REAR GRAND-CRU,PP,NATURAL	SA
27-2	111534	ASSY CASTER-FRONT BRR9000M,GI-SGCC,T3.0,RIGHT	SA
27-2-1	110757	PIN-CASTER SR-289-429,MSWR,L38,ZPC2	SA
27-2-2	110821	CASTER-REAR GRAND-CRU,PP,NATURAL	SA
27-3	110910	CASTER BRR9000M,MSWR,OD40, BLACK	SA
27-4	111390	ASSY LEG-FRONT BRR9000M	SA
27-5	111391	ASSY LEG-FRONT BRR9000M,RIGHT	SA
27-6	111392	ASSY LEG-REAR BRR9000M	SA
27-7	111393	ASSY LEG-REAR BRR9000M,RIGHT	SA
27-8	111446	ASSY TRAY DRAIN WATER BRR9000,T2,30inch	SA
27-8-1	111006	GROMMET-IMMERSION PIPE B ROMANEE CONTI,NBR,BLACK	SA
27-8-2	111074	GROMMET-SUCT PIPE A NBR,-,ID4,OD20	SC
27-8-3	111409	ASSY SUPPORT-CIRCUIT MOTOR BRR9000M(30", 36"),C150Q	SA
27-8-3-1		MOTOR BLDC FAN ARCS2088RB,1230,12V,1.15W,FC connector,-10~70	SNA
27-8-3-2	110913	SPRING ETC-FAN STS304,PI8.8,ID7.8,OD9.8,L5.0,FD	SA
27-8-4	110647	SCREW-TAPPING TH,+,1,M4,L12,ZPC(WHT), SWRCH18A	SA
27-9	110647	SCREW-TAPPING TH,+,1,M4,L12,ZPC(WHT), SWRCH18A	SA
28	114116	ASSY COVER CASE BRF9000M,ABS,T1.2,INOX GRAY,B-LUX SILVER SPRAY,LEFT HINGE	SA

Freezer Cabinet

Ref	Part#	description	sa/sna
28-1	111151	CAP HINGE-UP LEFT BRR9000M,ABS,T1.2,HG-0760GP,INOX GRAY,LEFT HINGE	SA
29	110001	W-LAN MODULE SWL-CQ52/REF,17K REF,IEE E802.11,2.4GHz,QCA4531,5V,12V,UART,MIMO,54x30x7.34 mm,0to +70C	SA
30	110985	COVER-FIXER HOUSING,V NEXT,GALVALUM,T0.3,V	SA
31	111153	RUBBER BUMPER BRR9000M,SI,GRAY	SA
32	111154	RUBBER BUMPER BRR9000M,SI,GRAY,R	SA
33	110746	FITTING-LOKRING 33 SUM23,33, 11SMnPb30K	SA
34	110747	FITTING LOKRING SUM23,ID5.02,11SMnPb30K,St 56	SA
35	110722	ASSY WIRE HARNESS- EARTH ALL,FREE VOLT,UL+IEC,UL,ALL,EA RTH,120mm,1,ST710489-3*2	SA
36	110990	COVER-URETHANE AW-PJT,ABS,BLACK,5VA	SA
37	110940	DRYER C1220T-H,114,SINGLE MOUTH,R-600a Only,18.7,9g	SA
38	111149	PARTITION-UP BRR9000M,HIPS,T1.2	SA
39	111162	SEAL CUTT-RUBBER W2-05,BUTYL RUBBER,BLACK,T8,W100,L100,-	SA
40	111169	PIPE CONNECT-DISC RF8000MC,Cu,OD6.35,T0.65,C1220T,R-600a Only	SA
41	111246	ASSY WIRE HARNESS-COMP ALL,FREE VOLT,UL+IEC,UL+IEC,NA,ALL,ALL,280mm*3	SA
42	111338	ASSY CAP-DRAIN AW3	SA
42-1	110811	FIXER-DRAIN HAEMIL,PP,T0.6,CARMEN WINE,BJ750	SA
42-2	110928	TUBE PVC AW3,SF-PVC,BLACK	SA
42-3	110982	GROMMET-DRAIN RS18RK,NBR,-,-,-,-,BLK,-	SA
42-4	111128	CAP-DRAIN AW4,HIPS,HB,S834S1,NATURAL	SA
43	111639	ASSY COVER FIXER WATER BRR9000M,24,30,36inch Column	SA
44	110846	BRACKET-MIDDLE BRR9000M,CR- SPCC,T1.2,COLUMN	SA
45	111058	COVER WIRE BRR9000,ABS,HB,COOL WHITE,HG-0760GP	SA
46	113842	CHASSIS CABI BRR9000M,GI-SGCC,T0.8,-	SA
47		ASSY INSTALL BRR9000M,30"-F,LEFT HINGE	SNA
47-1	112206	ASSY INSTALL 30IN FREEZER(LEFT HINGE)	SNA
47-1-1	110648	SCREW-TAPPING TH,+,NO,1,M4,L16,ZPC(WHT),SWRCH18A	SA
47-1-2	110661	SCREW-TAPPING FH,+,NO,1,M4,L14,ZPC(WHT),SWRCH18A	SC
47-1-3	110679	BOLT-HEX M6,L12,ZPC(WHT),SWRCH10A	SA

Freezer Cabinet

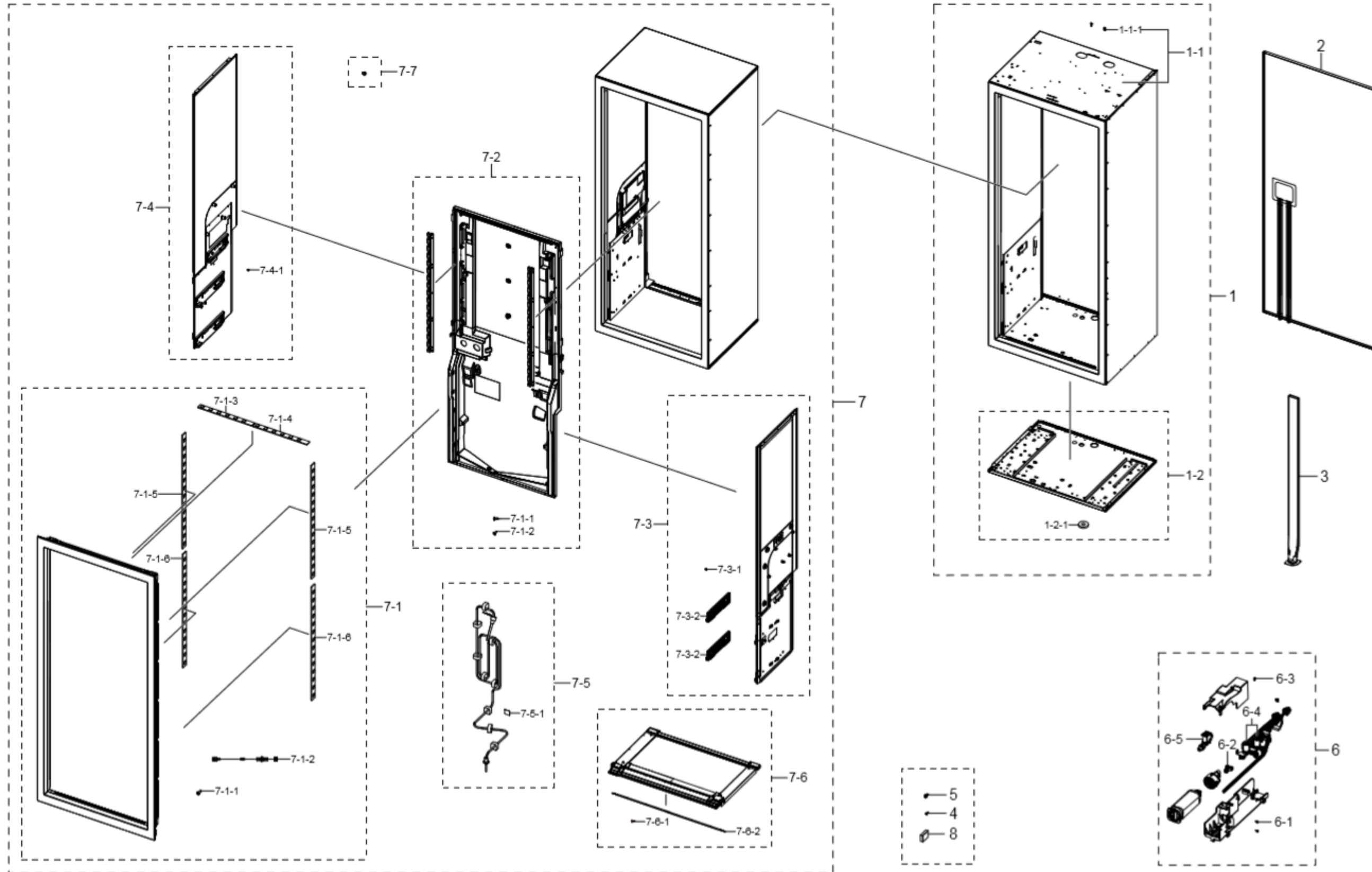
Ref	Part#	description	sa/sna
47-1-4	110680	NUT-HEXAGON FLANGE M8,SWRCH10A,FLANGE, M8*1.25p	SA
47-1-5	110903	SUPPORT-REF BRR9000M,GI-SGCC,T3,Anti Tip	SA
47-1-6	110889	GUIDE PANEL BRR9000M,HIPS,S834S1,COOL WHITE	SA
47-1-7	111129	CAP SCREW BRR9000M,ABS,HB,HG- 0760GP,INOX GRAY,B Lux Silver	SA
47-1-8	110902	BRACKET-WOOD BRR9000M,PO- SPHC,T2.3,COLUMN 30"	SA
47-1-9	111504	ASSY TOP TABLE-FRONT BRR9000M,30-IN,F	SA
47-1-9-1	110711	SENSOR PHOTO 5V	SA
47-1-9-2	111033	COVER TOP TABLE BRR9000M,ABS,HB,INOX GRAY	SA
47-1-10	111631	ASSY CAP DOOR-LOW LEFT BRR9000M,ABS,30"	SA
47-1-10-1	110647	SCREW-TAPPING TH,+,1,M4,L12,ZPC(WHT), SWRCH18A	SA
47-1-10-2	110862	GUIDE AIR-A BRR9000M,ABS,HB,INOX GRAY	SA
47-1-11	113388	ASSY TRIM KIT BRR9000M,30"Column	SA
47-1-11-1	TBD	TRIM BRR9000M,ABS,HG-0760GP,INOX GRAY	SA
47-2	112213	ASSY TRIM CASE DOOR BRR9000M,LUMINOUS,1920,SILV ER,COLUMN	SNA
47-2-1	111086	TRIM DOOR-LEFT BRR9000M,ABS,XM-0900,VF SILVER,COLUMN ALL, LUMINOUS TRIM	SA
47-2-2	111087	TRIM DOOR-RIGHT BRR9000M,ABS,XM-0900,VF SILVER,COLUMN ALL, LUMINOUS TRIM	SA
47-3	111656	ASSY TRIM KIT BRR9000M	SA
47-3-1	111093	TRIM COVER BRR9000M,AI,BI-327	SA
48		HOLDER-WIRE GI-SGCC,BLACK	SNA
49	110893	RAIL BRR9000M,ABS,EBONY BLACK,81.5mm,Column 30"	SA
50	TBD	BOLT-HEX HWH,M6,L16,ZPC(WHT),SWRCH22 A,MACHINE,Finishing Taper	SA
51	TBD	ASSY FIXER BRR9000M,Gold White,Porcelain	SA
51-1	114000	SCREW-SPECIAL FH,+,M5,L25(15.5),ZPC(WHT),S WRCH18A,1	SA
52		FITTING-LOKRING SUM23,LOKRING 2 N St 20	SNA
53		SOLDER RING ID6.4,91.75Cu/6.25P/2.0Ag,Num ber of coils : 4	SNA
54		SOLDER RING ID7.05,91.75Cu/6.25P/2.0Ag,Num ber of coils : 4	SNA

Freezer Cabinet

Ref	Part#	description	sa/sna
55		SOLDER RING ID:7.99,91.75Cu/6.25P/2.0Ag,Number of coils : 4	SNA
56		SOLDER RING 0.6,OD:4.3,Ag26 ,Cu41□,Zn33 ,ET,Number of coils : 6	SNA
57		SOLDER RING ID:3.55,91.75Cu/6.25P/2.0Ag,Number of coils : 3	SNA
58	110946	PIPE WATER-LINE OUT BRF8000M,PVC,WHITE	SA
59		SEAL COVER-REAR PE FOAM,T3,W200,single-sided adhesive	SNA
60		ASSY COVER HOUSING BRR9000M,T2.5,5VA	SNA
60-1	111040	COVER HOUSING BRR9000M,ABS,T2.5,INOX GRAY,VE-0856,INOX GRAY	SA
61		BRACKET-CASE BRR9000M,GI- SGCC,T1.6,BI-386	SNA
62	111170	VALVE-FITTING NUT A-TOP,C3604,gold	SA
63	TBD	PARTITION-FRONT BRF8000M,GI-SGCC,T0.6	SA
64	110886	FIXER PIPE BRR9000M,EPDM,BLACK	SA
65	110918	VALVE-FITTING PU BEST-BUY,C3604,GOLD	SA
66		SEAL COVER-WATER BRR9000M,PU FOAM,T20,W97,L94,single-sided adhesive	SNA

Freezer-Cabinet-2

Freezer Cabinet 2



Freezer Cabinet 2

Service Bom (SA: SERVICE AVAILABLE, SNA: SERVICE NOT AVAILABLE)

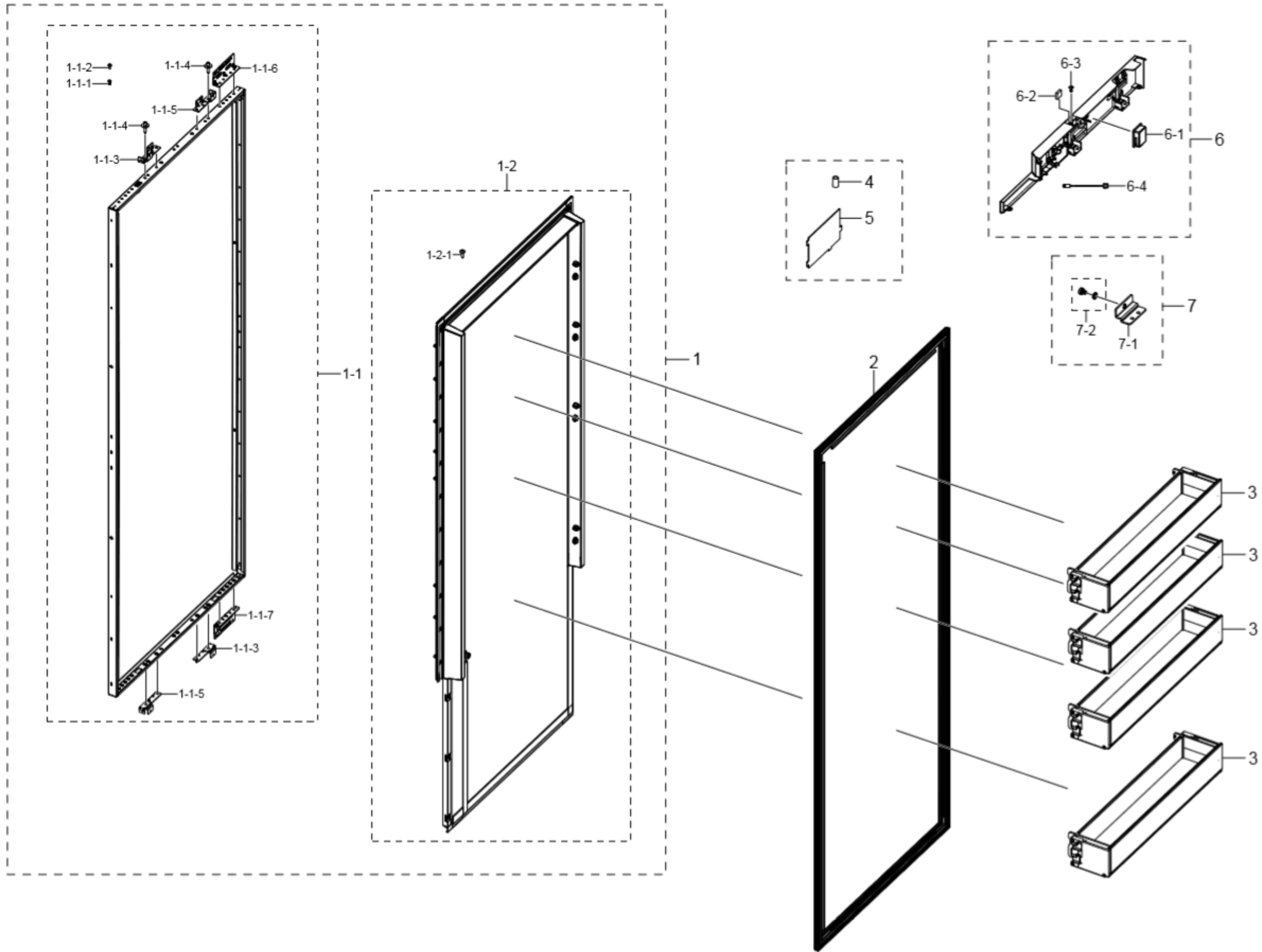
Ref	Part#	description	sa/sna
1		ASSY CABI FRAME BRR9000M,30"-F,LEFT OPEN	SNA
1-1		ASSY CABI FRAME-UP FRONT BRR9000M,30inch,Column,Freezer	SNA
1-1-1	110658	SCREW-TAPPING TH,+,-,2,M5,L16,ZPC(WHT),SWRCH18A,-	SA
1-2		ASSY CABI FRAME- BOTTOM BRR9000M,30inch,Column,Freezer	SNA
1-2-1	TBD	SEAL-DRAIN HOSE ARAM10,PU FOAM,T10,30	SA
2		ASSY CABI FRAME-REAR BRR9000M,30inch,Column,Freezer	SNA
3		ASSY GUIDE HOSE- BOTTOM BRR9000M,T1.5,L800	SNA
4	110677	BOLT-HEX M6,L43.6,SWRCH10A	SA
5	TBD	BOLT-HEX HWH,M6,L16,ZPC(WHT),SWRCH22A,M ACHINE,Finshing Taper	SA
6	111394	ASSY CASE WATER FILTER BRR9000M	SA
6-1	110647	SCREW-TAPPING TH,+ ,1,M4,L12,ZPC(WHT),SWRCH18A	SA
6-2	110752	FITTING TUBE AW4-4D,POM,Fitting Tube Y, 1/4'	SA
6-3	110806	CLIP-FITTING LOCK AW,POM	SA
6-4	110934	VALVE WATER AC110~127V,230,1WAY,L-Wire,1,1,NO	SC
6-5	110938	VALVE WATER AC110-127V,350,1WAY,L-Wire,1,1,NO	SA
7		ASSY LINER-FRE BRR9000M,30"-F,RIGHT- OPEN,PORCELAIN	SNA
7-1		ASSY LINER PORCELAIN,BRR9000M,COLUMN 30	SNA
7-1-1	110659	SCREW-TAPPING PH,+ ,NO,2S,M3,L8,ZPC(WHT),SWRCH 18A	SA
7-1-2	111235	ASSY WIRE HARNESS- LED ALL,12VDC,UL+IEC,NA,UL,ALL,LED 1EA CONNECTING,500mm*2	SA
7-1-3	111263	ASSY LAMP LED 18,FR-4,336*16,WHITE,LEKD-02RS-2T, DEM1-B0031,360mA,DC12V,Min 223	SA
7-1-4	111264	ASSY LAMP LED 18,FR-4,336*16,WHITE,LEK-01PS-2T, DEM1-B0031,360mA,DC12V,Min 223	SA
7-1-5	111268	ASSY LAMP LED 18,CEM-3,592*16,WHITE,SMAW250- H03G, LEKD-02RS- 2T,300mA,DC12V,Min 26LX	SA
7-1-6	111269	ASSY LAMP LED 18,CEM-3,592*16,WHITE,SMAW250- H03G, LEK-01PS-2T,300mA,DC12V,Min 26LX	SA
7-2		ASSY LINER-FRE PORCELAIN,BRR9000M,COLUMN 30	SNA
7-2-1	TBD	SCREW-TAPPING TH,+ ,NO,1,M4,L14,ZPC(WHT),SWRCH1 8A	SC
7-2-2	110661	SCREW-TAPPING FH,+ ,NO,1,M4,L14,ZPC(WHT),SWRCH1 8A	SC
7-3		ASSY LINER-FRE PORCELAIN,BRR9000M,RIGHT	SNA
7-3-1	110649	SCREW-TAPPING TH,+ ,NO,1,M4,L8,ZPC(WHT),SWRCH18A	SA
7-3-2	114023	COVER RAIL-LOW RIGHT BRR9000M_30R,ABS+PC,CREAMY STAINLESS	SA

Freezer Cabinet 2

Service Bom (SA: SERVICE AVAILABLE, SNA: SERVICE NOT AVAILABLE)

Ref	Part#	description	sa/sna
7-4		ASSY LINER-FRE PORCELAIN,BRR9000M,LEFT	SNA
7-4-1	110649	SCREW-TAPPING TH,+,NO,1,M4,L8,ZPC(WHT),SWRCH18A	SA
7-5		ASSY PIPE SUCTION-FRE BRR9000M,24~36inch Column	SNA
7-5-1	110923	SEAL CUTT-RUBBER RR2500K,RUBBER,BLACK,T5,W50,L65, BUTYL RUBBER	SA
7-6		ASSY PLATE GRILLE BRR9000M-30,Column 30,30" Porcelain, LINER UPP	SNA
7-6-1	110659	SCREW-TAPPING PH,+,NO,2S,M3,L8,ZPC(WHT),SWRCH 18A	SA
7-6-2	TBD	ASSY LAMP LED 39,FR-4,325*16,WHITE,DEM1- B0031,DC12V	SA
7-7	110649	SCREW-TAPPING TH,+,NO,1,M4,L8,ZPC(WHT),SWRCH18A	SA
8	111162	SEAL CUTT-RUBBER W2-05,BUTYL RUBBER,BLACK,T8,W100,L100,-	SA

Freezer Door



Freezer Door

Ref	Part#	description	sa/sna
1	TBD	ASSY DOOR FOAM-FRE BRR9000M,30"-F,PORCELAIN,LEFT- OPEN	SA
1-1		ASSY PLATE DOOR-FRE BRR9000M,BRR9000M,30" FRE CERAMIC,ASSY DOOR	SNA
1-1-1	110658	SCREW-TAPPING TH,+,-,2,M5,L16,ZPC(WHT),SWRCH18A,-	SA
1-1-2	TBD	SCREW-TAPPING TH,+,-,2S,M4,L12,ZPC(WHT),SWRCH18A ,COOL-WHITE(SC-02740R)	SA
1-1-3	110845	BRACKET-UP BRR9000M,PO-SPHC,T2.3,RIGHT	SA
1-1-4	110847	FIXER-UP FRONT BRR9000M,SWRCH10A,M6	SA
1-1-5	110848	BRACKET-UP BRR9000M,PO-SPHC,T2.3,LEFT	SA
1-1-6		BRACKET HINGE-FRE UP BRR9000M,PO-SPHC,T2.5,36" FRE _ UPP/L, D1.0 FORMING	SNA
1-1-7	TBD	BRACKET HINGE-FRE LOW BRR9000M,PO-SPHC,T2.5,CERAMIC LOW/L	SA
1-2		ASSY PANEL BRR9000M,30 inch FRE	SNA
1-2-1	110648	SCREW-TAPPING TH,+ ,NO,1,M4,L16,ZPC(WHT),SWRCH18A	SA
2	111412	ASSY GASKET BRR9000M,30"COLUMN, DARK GRAY	SA
3	111442	ASSY GUARD-REF BRR9000M	SA
4	110906	FIXER BRR9000M,ABS,NATURAL,HG- 0760GP	SA
5	111072	COVER PBA BRR9000M,ABS,INOX GRAY,WIFI MODULE,LEFT	SA
6	111438	ASSY CAP DOOR-UP LEFT BRR9000M,ABS,30"	SA
6-1	111033	COVER TOP TABLE BRR9000M,ABS,HB,INOX GRAY	SA
6-2	110798	MAGNET SVETA,FERRITE,1600Gauss	SA
6-3	111133	CAP-SHAFT HOLE AW3,ABS,HG-0760GP,COOL WHITE	SA
6-4	110710	SENSOR HUMIDITY 5V,0~100%RH,REF,250mm	SA
7	111685	ASSY DOOR BRR9000M	SA
7-1		REINF-LOW FRONT PO-SPHC,T2.3	SNA
7-2	111353	ASSY FIXER-MOVABLE HAEMIL,CREAMY STS,MATERIAL CHANGE(FIXER)	SA